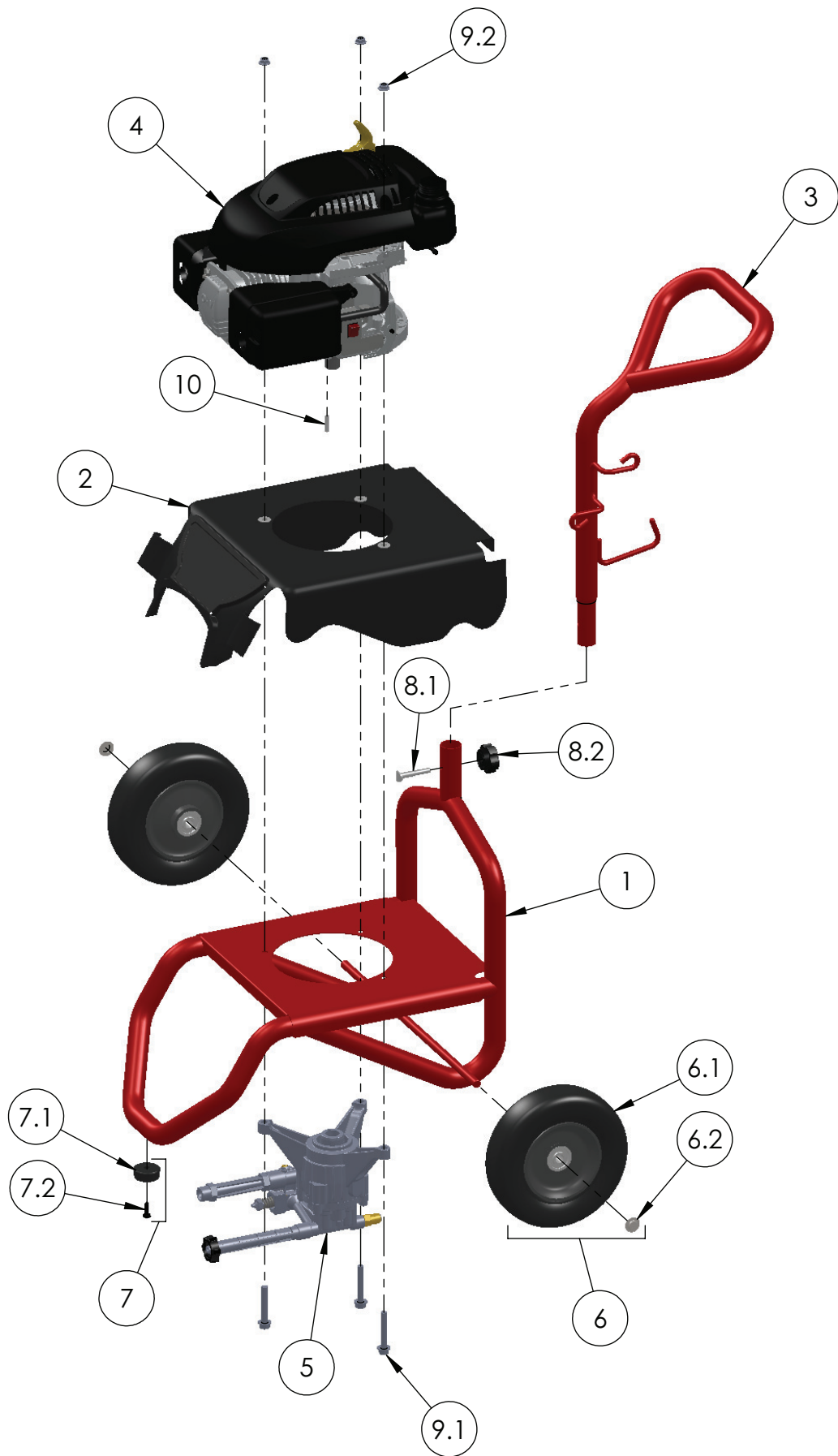


ITEM	PART NO	DESCRIPTION	QTY
1	7104033	BASE FRAME, RED	1
2	7104568	PLASTIC COVER WITH LABELS	1
3	7104034	HANDLE ASSY, RED	1
4	7104567	ENGINE, DUCAR 140CC VERTICAL	1
5	7104090	PUMP, VERTICAL 2400	1
5.1	7104232	WATER INLET EXTENSION KIT	1
5.1.1		WATER INLET FILTER	1
5.1.2		WATER INLET EXTENSION	1
5.1.3		HAND-TIGHT NUT	1
5.1.4		O-RING 14 X 1.8	1
5.2	7104228	SOAP INJECTOR KIT	1
5.2.1		O-RING 7.5mm X 1.8mm	1
5.2.2		INJECTOR SPRING	1
5.2.3		STEEL BALL 3/16IN	1
5.2.4		O-RING 3.55mm X 1.8mm	1
5.2.5		INJECTION FITTING	1
5.3	7104233	WATER OUTLET EXTENSION KIT	1
5.3.1		WATER OUTLET EXTENSION	1
5.3.2		O-RING 14 X 1.8	1
5.4	7101359	VALVE, THERMAL RELIEF 1/4 NPT	1
6	7104569	WHEEL KIT, 8-5/8" X 2.50-4 WITH 1/2" PAL NUT	2
6.1		WHEEL, 8-5/8" X 2.50-4 FOAM FILLED	1
6.2		PAL NUT, 1/2"	1
7	7103292	FOOT KIT, 5/8 X 1.50 O.D. AND 1/4-20 X .75 SCREW	1
7.1		RUBBER FOOT, 1.50IN X .625IN	1
7.2		SCREW, 1/4-20 X .75 TORX PANHEAD	1
8	7104570	HANDLE HARDWARE KIT, SADDLE BOLT AND NUT	1
8.1		BOLT, SADDLE 5/16-18 x 2.00	1
8.2		NUT, HAND TIGHT 5/16-18	1
9	7104203	ENGINE/PUMP HARDWARE KIT	1
9.1		BOLT, HEX HEAD FLANGE 5/16-18 x 2.25	3
9.2		NUT, SERRATED FLANGE 5/16-18	3
10	7102039	KEY, SHAFT .188IN X 1.00IN	1
11	7103569	GUN, 3500PSI 5GPM M22(M) IN X M22(F) OUT	1
12	7104095	LANCE, VARIABLE SPRAY 3000PSI M22(M) IN	1
13	7102768	HOSE, 1/4IN X 25FT X 3000PSI M22 X M22	1
14	7102037	SOAP HOSE KIT	1
* 15	7102045	TOOL, NOZZLE CLEANING, UNIVERSAL	1
* 16	7104287	OWNERS MANUAL	1
* 17	7104207	BOX, SHIPPING PW2420 22-3/4 X 18-3/4 X 22-1/4	1
5	7104090R	REFURBISHED PUMP, VERTICAL 2400	1

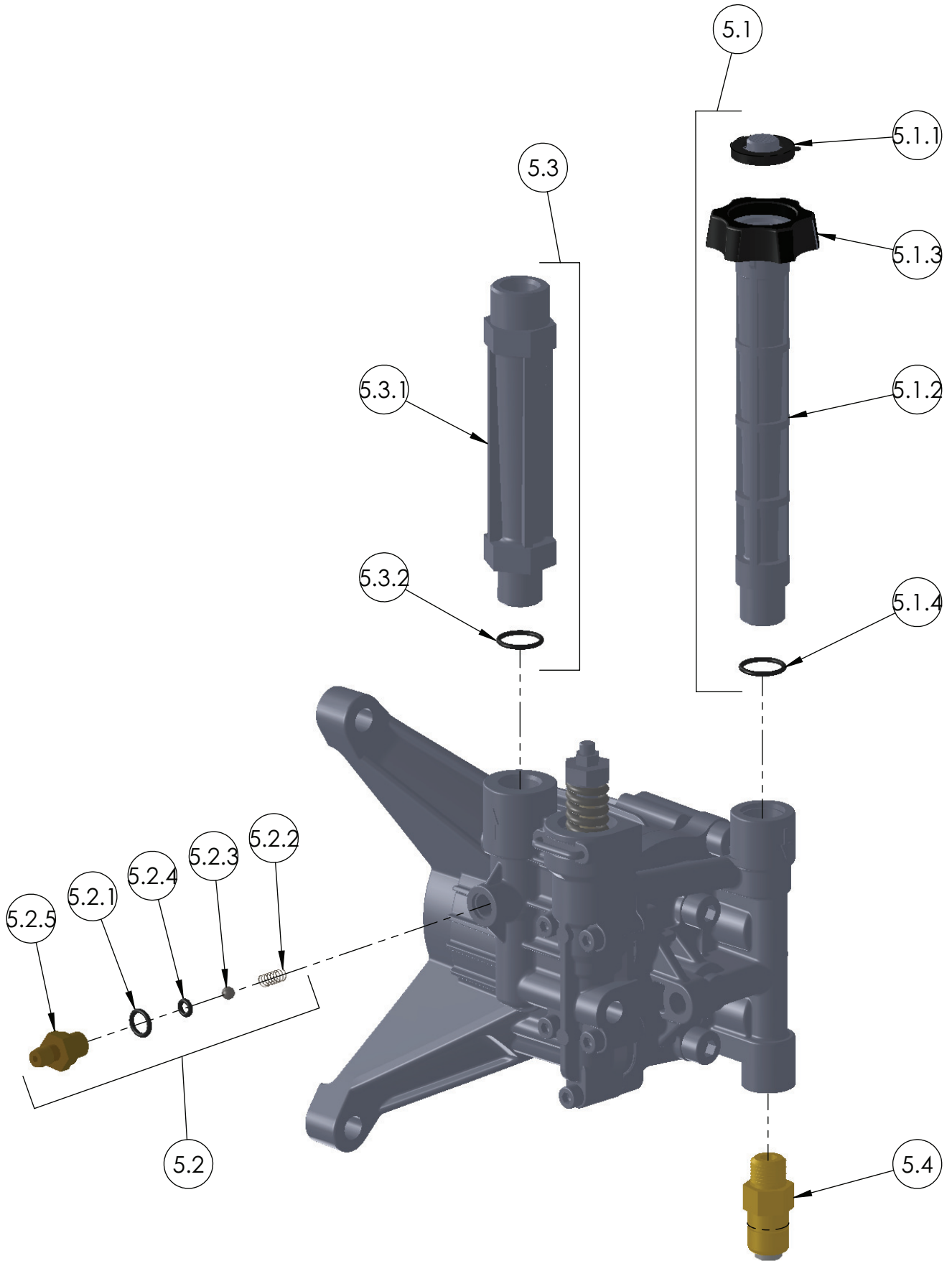
\*NOT SHOWN



NAME			DATE			FNA-GROUP				
DRAWN	K.A.B.	03/05/2011	1265 INDUSTRIAL STREET, DECATUR, AR 72722 TITLE: <b>PW2420</b>			SIZE	DWG. NO.	REV.		
CHECKED	K.A.B.	03/08/2011				<b>A</b>	60512-S	A		
ENG APPR.	J.E.W.	03/08/2011				SCALE:	N/A	ECN#	DC11-0023	SHEET 1 OF 4
MFG APPR.	C.C.	03/14/2011								
Q.A. APPR.	J.P.	03/12/2011								
SERVICE APPR.	J.R.	03/11/2011								
<b>PROPRIETARY AND CONFIDENTIAL</b> THE INFORMATION CONTAINED IN THIS DRAWING IS THE SOLE PROPERTY OF FNA-GROUP. ANY REPRODUCTION IN PART OR AS A WHOLE WITHOUT THE WRITTEN PERMISSION OF FNA-GROUP IS PROHIBITED.										



SIZE	DWG. NO.	REV.
<b>A</b>	60512-S	<b>A</b>
SCALE: N/A	ECN# DC11-0023	SHEET 2 OF 4



SIZE	DWG. NO.	REV.
<b>A</b>	<b>60512-S</b>	<b>A</b>
SCALE: N/A	ECN# DC11-0023	SHEET 3 OF 4



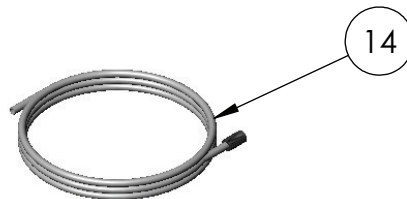
GUN, 3500PSI 5GPM M22(M) IN X M22(F) OUT  
(PART NO. 7103569)



LANCE, VARIABLE SPRAY 3000PSI M22(M)  
(PART NO. 7104095)



HOSE, 1/4IN X 25FT X 3000PSI M22 X M22  
(PART NO. 7102768)



SOAP HOSE KIT  
(PART NO. 7102037)

SIZE <b>A</b>	DWG. NO. <b>60512-S</b>	REV. <b>A</b>
SCALE: N/A	ECN# DC11-0023	SHEET 4 OF 4