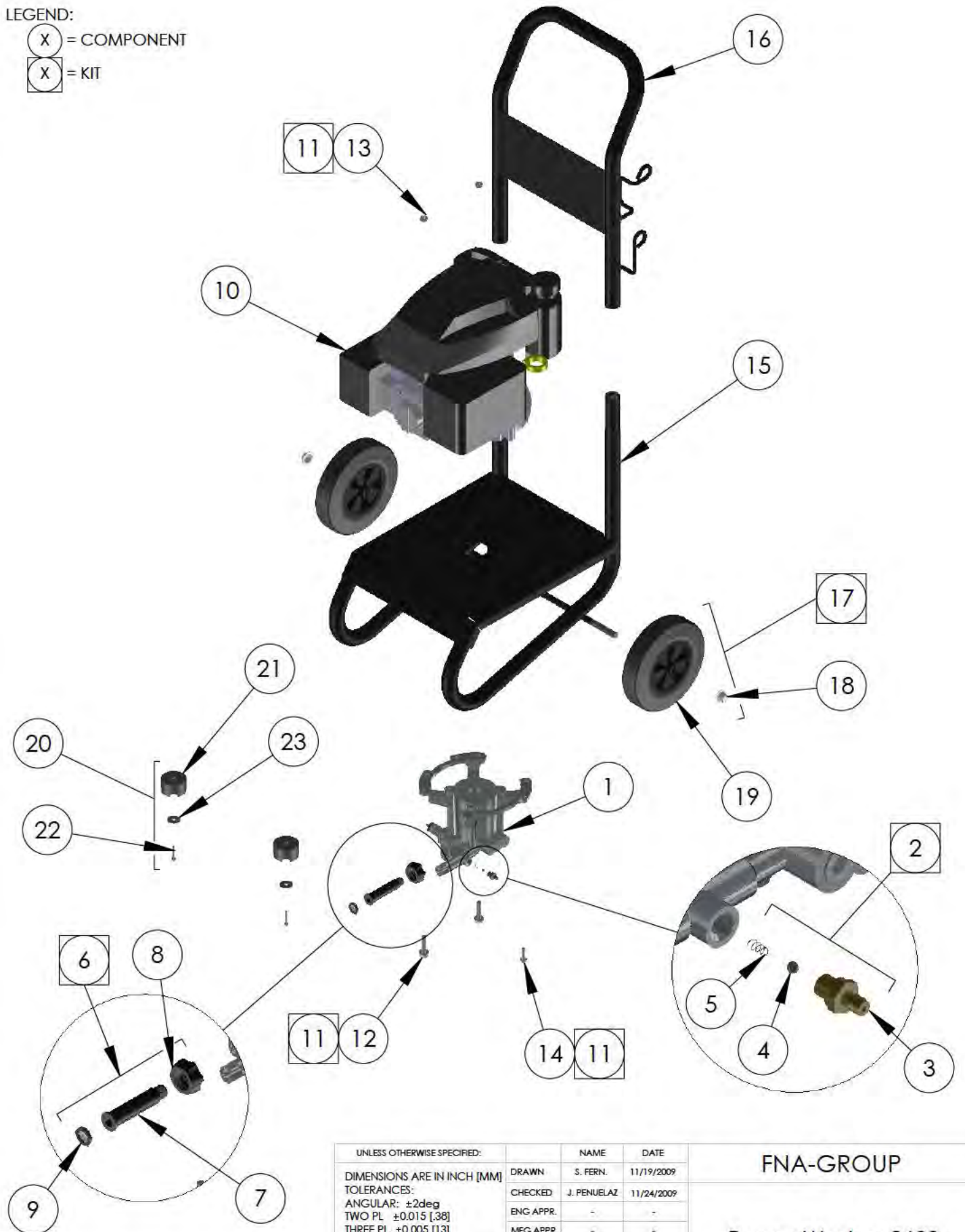


LEGEND:

- X = COMPONENT
- X = KIT



UNLESS OTHERWISE SPECIFIED:		NAME	DATE
DIMENSIONS ARE IN INCH [MM]		DRAWN S. FERN.	11/19/2009
TOLERANCES:		CHECKED J. PENUELAZ	11/24/2009
ANGULAR: ±2deg		ENG APPR.	-
TWO PL ±0.015 [38]		MFG APPR.	-
THREE PL ±0.005 [13]		Q.A.	-
MATERIAL AS NOTED		COMMENTS:	

FNA-GROUP		
Power Washer 2600		
SIZE	DWG. NO.	REV.
A	60437-S	1
SCALE: N/A	WEIGHT: N/A	SHEET 2 OF 3

PROPRIETARY AND CONFIDENTIAL THE INFORMATION CONTAINED IN THIS DRAWING IS THE SOLE PROPERTY OF SIMPSON-DELCO. ANY REPRODUCTION IN PART OR AS A WHOLE WITHOUT THE WRITTEN PERMISSION OF SIMPSON-DELCO IS PROHIBITED.	NEXT ASSY	USED ON
	APPLICATION	

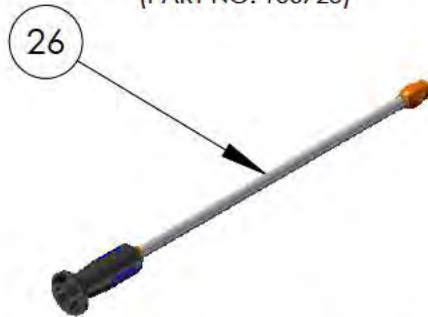
FINISH	N/A
DO NOT SCALE DRAWING	



1/4" 25ft. BLACK, HP HOSE w/FITTINGS M22 F-F
(PART NO. 30011)



GUN, 3200PSI M22 MALE INLET X M22 F OUTLET
(PART NO. 106725)



LANCE, 3000 PSI GAS (BLUE) 1.05mm ORIFICE
(PART NO. 7102423)



CHEMICAL HOSE
(PART NO. 7102037)

UNLESS OTHERWISE SPECIFIED:		NAME	DATE	FNA-GROUP
DIMENSIONS ARE IN INCH [MM]		DRAWN S. FERN.	11/19/2009	
TOLERANCES:		CHECKED J. PENUELAZ	11/24/2009	
ANGULAR: ±2deg		ENG APPR.	-	
TWO PL ±0.015 [.38]		MFG APPR.	-	
THREE PL ±0.005 [.13]		Q.A.	-	
MATERIAL	AS NOTED	COMMENTS:		
NEXT ASSY	USED ON	FINISH	N/A	SIZE DWG. NO. 60437-S REV. 1
APPLICATION		DO NOT SCALE DRAWING		SCALE: N/A WEIGHT: N/A SHEET 3 OF 3

PROPRIETARY AND CONFIDENTIAL
THE INFORMATION CONTAINED IN THIS DRAWING IS THE SOLE PROPERTY OF SIMPSON-DELCO. ANY REPRODUCTION IN PART OR AS A WHOLE WITHOUT THE WRITTEN PERMISSION OF SIMPSON-DELCO IS PROHIBITED.

ITEM	PART NO.		DESCRIPTION	QTY
1	90010		PUMP MTPV93564 S. PONY w/CHEM HOSE	1
1	90010R		PUMP MTPV93564 S. PONY - REFURBISHED	1
2	7001058	T	CHEMICAL INJECTION KIT	1
3	-	F	CHEMICAL INJECTION FITTING	1
4	-	F	Ø 3/16" BALL AISI 420	1
5	-	L	TAPERED SPRING	1
6	7002257	T	INLET EXTENSION KIT	1
7	-	F	INLET EXTENSION TUBE	1
8	-	F	NUT	1
9	-	L	WATER FILTER INSERT	1
10	100238		ENGINE, 173CC LONCIN GAS ENGINE	1
10	100238R		ENGINE, 173CC LONCIN GAS ENGINE - REFURBISHED	1
11	7103290	T	ENGINE MOUNT HARDWARE	1
12	-	F	BOLT, FLANGE (5/16-18 X 2-1/4")	2
13	-	F	NUT, SPEED 5/16-18 WHIZ	2
14	-	L	BOLT, HEX FLANGE M8-1.25 x 30 mm	1
15	7200281		BASE PLATE WELDMENT	1
16	7200282		TOP TUBE WELDMENT	1
17	7103291	T	WHEEL KIT	2
18	-	F	NUT, PAL (1/2") WITH RUST PROOF FINISH	1
19	-	L	WHEEL 8 x 1.75 SEMI-PNEUMATIC	1
20	7103295	T	RUBBER FOOT KIT	2
21	-	F	RUBBER FOOT	1
22	-	F	SCREW, SELF-TAPPING (1/4-14 x 1.00")	1
23	-	L	WASHER 3/8" x 1.00" OD	1
24	7102768		1/4" 25ft. BLACK HOSE w/M22 F-F (3000psi)	1
25	106725		GUN, 3200psi MALE INLET x M22 F OUTLET	1
26	7102423		LANCE, 3000psi 1.05mm SS-ORIFICE	1
27	7102037		CHEMICAL HOSE ASSY.	1
* 28	7102039		SHAFT KEY, 5 x 5 x 35mm	1
* 29	7102600		BOX, POWERWASHER 2600 21-1/2 x 19-1/2 x 24	1
* 30	7102736		MANUAL UNIT & ENGINE OPER. GUIDE, PW2600	1
* 31	7102045		TOOL, NOZZLE CLEANING UNIVERSAL	1
* 32	7102048		OIL, 10-30w, 20oz	1
* 33	7101359		THERMAL RELIEF VALVE	1

* - NOT SHOWN

5				UNLESS OTHERWISE SPECIFIED: DIMENSIONS ARE IN INCH [MM] TOLERANCES: ANGULAR: ±2deg TWO PL ±0.015 [.38] THREE PL ±0.005 [13]	NAME	DATE	FNA-GROUP Power Washer 2600	
4			DRAWN		S. FERN.	11/19/2009		
3			CHECKED		J. PENUELAZ	11/24/2009		
2			ENG APPR.		-	-		
1			MFG APPR.		-	-		
Rev.	Date	Description	ECN	MATERIAL	AS NOTED	Q.A.	-	-
PROPRIETARY AND CONFIDENTIAL THE INFORMATION CONTAINED IN THIS DRAWING IS THE SOLE PROPERTY OF SIMPSON-DELCO. ANY REPRODUCTION IN PART OR AS A WHOLE WITHOUT THE WRITTEN PERMISSION OF SIMPSON-DELCO IS PROHIBITED.				NEXT ASSY	USED ON	COMMENTS:	SCALE: N/A	REV. 1
				FINISH	N/A		DWG. NO. 60437-S	
				APPLICATION	DO NOT SCALE DRAWING		WEIGHT: N/A	SHEET 1 OF 3