



**PRESSURE WASHER
ITEM NO. RY141900
MFG. NO. 090079269
REPLACEMENT PARTS LIST**

Techtronic Industries Power Equipment, Inc.

1428 Pearman Dairy Road, Anderson, SC 29625

Phone 1-800-860-4050

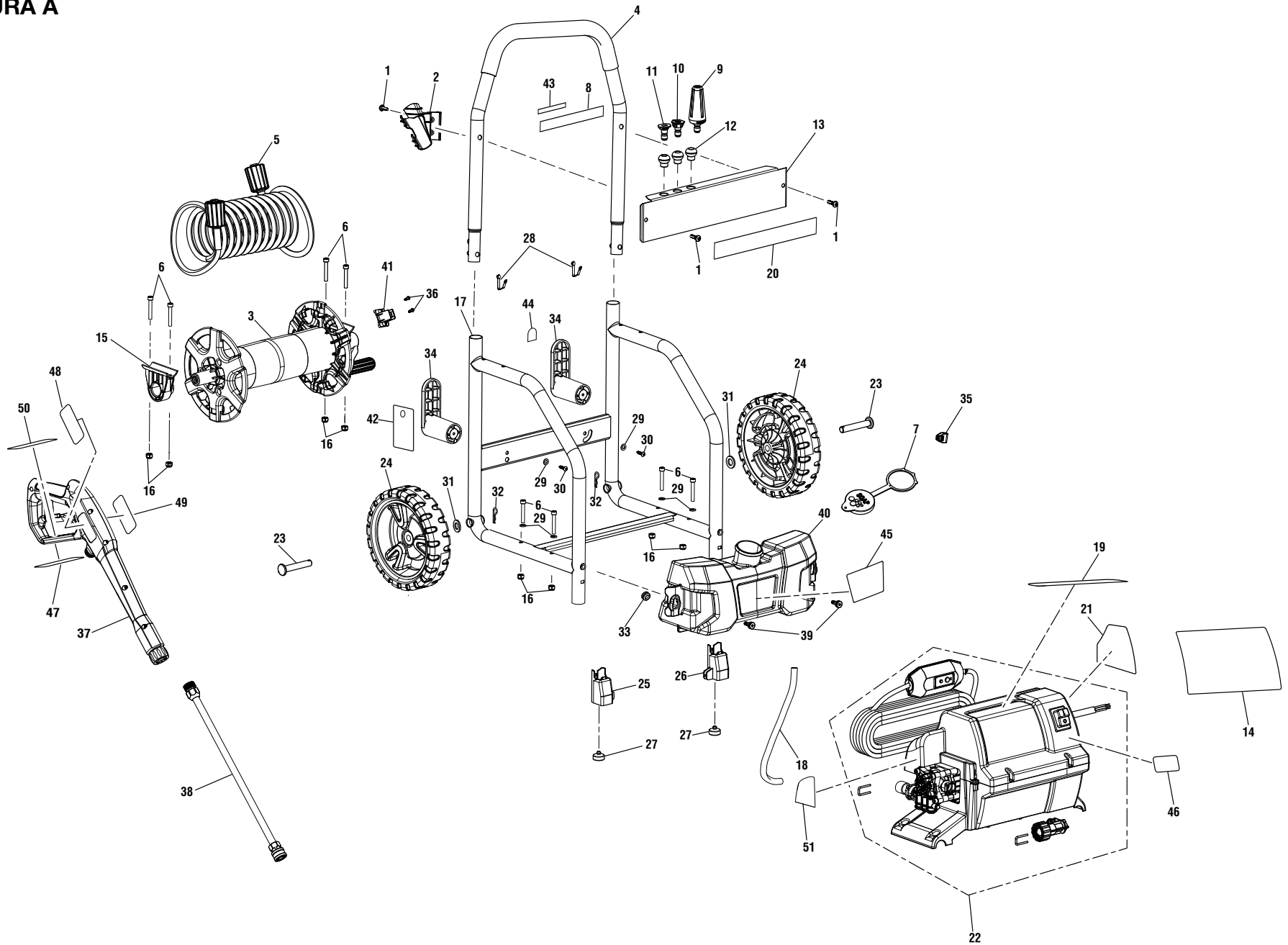
www.ryobitools.com

991000319

6-03-15 (Rev:01)

RYOBI ELECTRIC PRESSURE WASHER – ITEM NO. RY141900

FIGURE A /
FIGURA A



RYOBI ELECTRIC PRESSURE WASHER – ITEM NO. RY141900

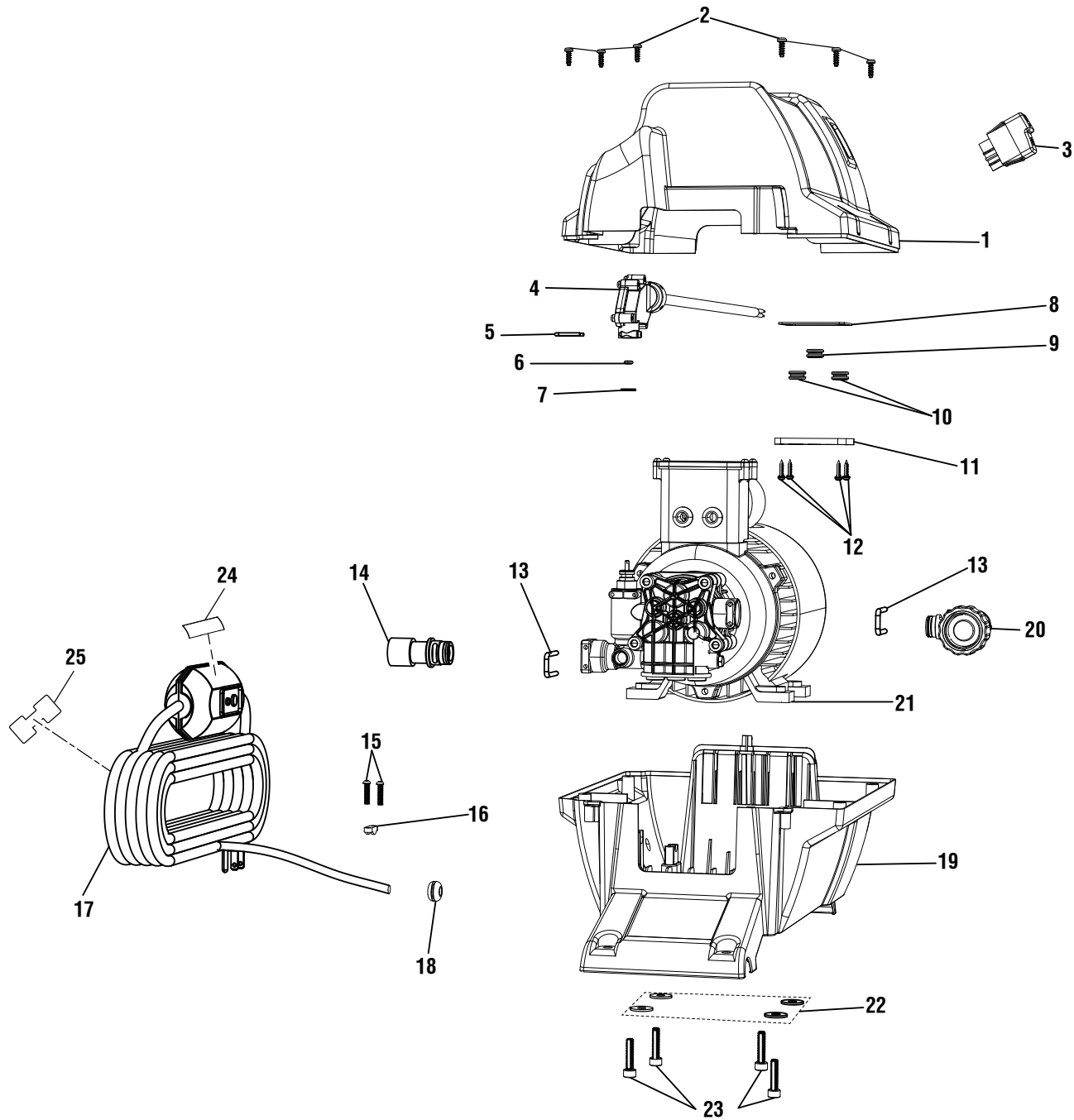
The model number will be found on a plate attached to pump housing. Always mention the model number in all correspondence regarding your **PRESSURE WASHER** or when ordering replacement parts.

FIGURE A PARTS LIST

| KEY NO. | PART NUMBER | DESCRIPTION | QTY | KEY NO. | PART NUMBER | DESCRIPTION | QTY |
|---------|--------------|---|-----|---------|-------------------|---|-----|
| 1 | 660481019 | Bolt (M6 x 20 mm) | 3 | 29 | 678600010 | Washer (M6)..... | 6 |
| 2 | 519313010 | Trigger Handle Holder..... | 1 | 30 | 661403019 | Screw (M4.8 x 19 mm, Phillips Hd. S.T.)..... | 2 |
| 3 | 309008004 | Hose Reel Assembly..... | 1 | 31 | 678889003 | Washer (ID12.5 x OD24 x 2t) | 2 |
| 4 | 310224071 | Handle Assembly (Inc. Key No. 28) | 1 | 32 | 678238002 | Hitch Pin | 2 |
| 5 | 308835065 | High Pressure Hose..... | 1 | 33 | 561383028 | Soap Tank Grommet..... | 1 |
| 6 | 660481015 | Screw (M6 x 40 mm)..... | 8 | 34 | 522037003 | Cord Wrap Arm..... | 2 |
| 7 | 310650007 | Detergent Tank Cap..... | 1 | 35 | 522051003 | Cord Clamp | 1 |
| 8 | 940617119 | Quick Start Label | 1 | 36 | 661403016 | Screw (M4.2 x 15 mm, Phillips Hd. S.T.)..... | 2 |
| 9 | 308311014 | Turbo Nozzle..... | 1 | 37 | 308760053 | Trigger Handle..... | 1 |
| 10 | 308706013 | Soap Nozzle..... | 1 | 38 | 308494074 | Spray Wand | 1 |
| 11 | 308698023 | 15° Nozzle..... | 1 | 39 | 660481022 | Shoulder Bolt (M6 x 16 mm)..... | 2 |
| 12 | 561383021 | Nozzle Grommet..... | 3 | 40 | 580875016 | Detergent Tank..... | 1 |
| 13 | 678973008 | Performance Panel | 1 | 41 | 529062001 | Hose Clip | 1 |
| 14 | 940705265 | Logo Label..... | 1 | 42 | 940473023 | Warning Hangtag..... | 1 |
| 15 | 522941003 | Hose Reel Bracket..... | 1 | 43 | 941486008 | Inquires Label | 1 |
| 16 | 678460001 | Lock Nut (M6) | 8 | 44 | 941076001 | Cord Unlock Label..... | 1 |
| 17 | 308582061 | Main Frame..... | 1 | 45 | 941608007 | Detergent Tank Label..... | 1 |
| 18 | 561399014 | Injection Hose..... | 1 | 46 | 940734079 | On/Off Switch Label | 1 |
| 19 | 940786041 | Nozzle Select Label | 1 | 47 | 940904003 | Trigger Handle Rating Label | 1 |
| 20 | 940779142 | Performance Label | 1 | 48 | 940786027 | Trigger Handle Logo Label..... | 1 |
| 21 | 940707039 | Danger Label | 1 | 49 | 940324030 | Trigger Handle Warning Label (English)..... | 1 |
| 22 | See Figure B | Pump Housing Assembly | 1 | 50 | 940324024 | Trigger Handle Warning Label (French/Spanish) | 1 |
| 23 | 620599018 | Wheel Axle..... | 2 | 51 | 941002168 | Pump Label..... | 1 |
| 24 | 308451054 | Wheel..... | 2 | | | | |
| 25 | 523406004 | Foot (Left)..... | 1 | | | | |
| 26 | 523406005 | Foot (Right) | 1 | | | | |
| 27 | 570554017 | Foot Pad | 2 | | | | |
| 28 | 308421002 | Spring Clip w/Button | 2 | | | | |
| | | | | | Not Shown: | | |
| | | | | | 991000317 | Operator's Manual | |
| | | | | | 991000318 | Quick Reference Guide | |

RYOBI ELECTRIC PRESSURE WASHER – ITEM NO. RY141900

FIGURE B /
FIGURA B



RYOBI ELECTRIC PRESSURE WASHER – ITEM NO. RY141900

The model number will be found on a label attached to pump housing. Always mention the model number in all correspondence regarding your **PRESSURE WASHER** or when ordering replacement parts.

FIGURE B PARTS LIST

| KEY NO. | PART NUMBER | DESCRIPTION | QTY |
|------------|----------------|--|-----|
| 1 | 522032010 | Top Motor Housing | 1 |
| 2 | 661403016 | Screw (M4 x 15 mm) | 6 |
| 3 | 760504007 | Switch | 1 |
| 4 | 310870002 | Pressure Switch | 1 |
| 5 | 678799014 | U Clip | 1 |
| 6 | 570742071 | O-Ring..... | 1 |
| 7 | 638397003 | Brass Washer (OD11.2 x ID3.4 x 1t) | 1 |
| 8 | 570740016 | Switch Cover Gasket | 1 |
| 9 | 561383024 | Grommet..... | 1 |
| 10 | 561383012 | Grommet..... | 2 |
| 11 | 570417002 | Switch Cover..... | 1 |
| 12 | 661403015 | Screw (M3 x 14 mm) | 4 |
| 13 | 678799013 | U Clip | 2 |
| 14 | 308862005 | Outlet Pump Assembly | 1 |
| 15 | 661610008 | Screw (M3.5 x 20 mm) | 2 |
| 16 | 522051003 | Cord Clamp..... | 1 |
| 17 | 290426012 | Power Cord | 1 |
| 18 | 561383025 | Grommet..... | 1 |
| 19 | 522038010 | Lower Motor Housing | 1 |
| 20 | 308861007 | 90 degree Inlet Assembly..... | 1 |
| 21 | 308861016 | Pump Assembly | 1 |
| 22 | 638128016 | Washer (OD18 x ID6.3 x 1t)..... | 4 |
| 23 | 661554004 | Bolt (M8 x 20 mm, Hex Hd.)..... | 4 |
| 24 | 940603006 | Cord Plug Label..... | 1 |
| 25 | 940324032 | Cord Wrap Label | 1 |

RYOBI ELECTRIC PRESSURE WASHER – ITEM NO. RY141900

