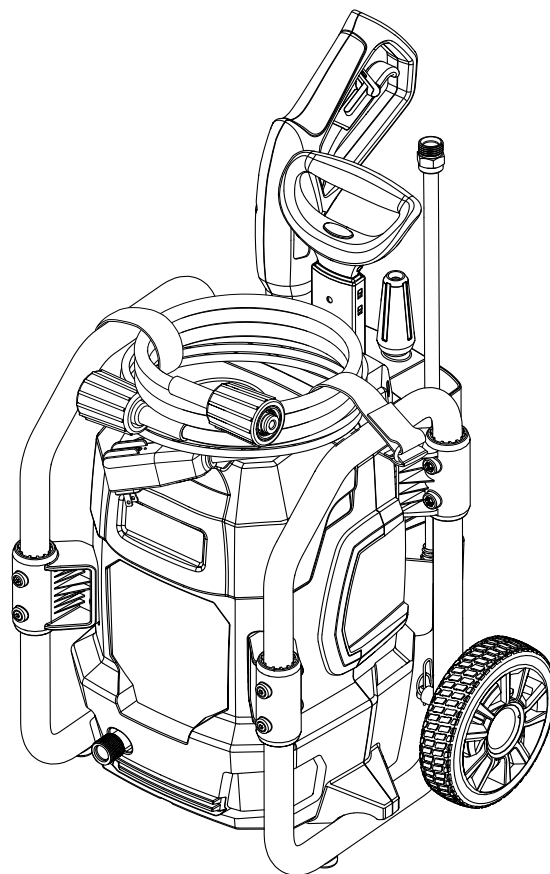


REPLACEMENT PARTS LIST

BRAND RYOBI		DESCRIPTION Electric Pressure Washer
MODEL NO. RY142022VNM	MFG. NO. 095079461	



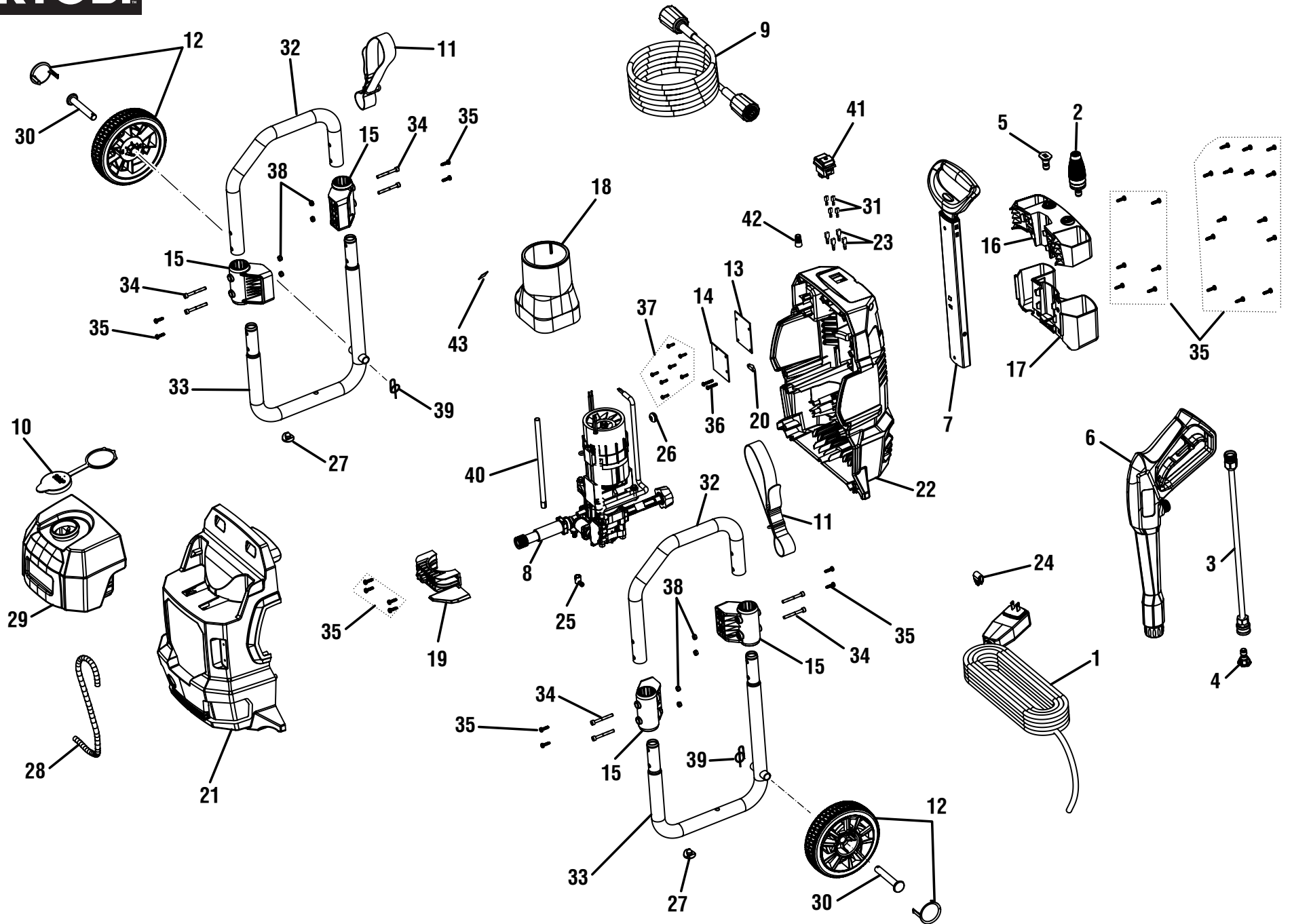
TECHTRONIC INDUSTRIES POWER EQUIPMENT

P.O. Box 1288, Anderson, SC 29622 ■ 1-800-525-2579 ■ www.ryobitools.com

998000264
11-20-20 (Rev:01)

The model number and manufacturing location will be found on a label attached to the product. Always mention this information in all communications regarding this product and when ordering parts.

RYOBI RY142022VNM





RY142022VNM

PARTS LIST

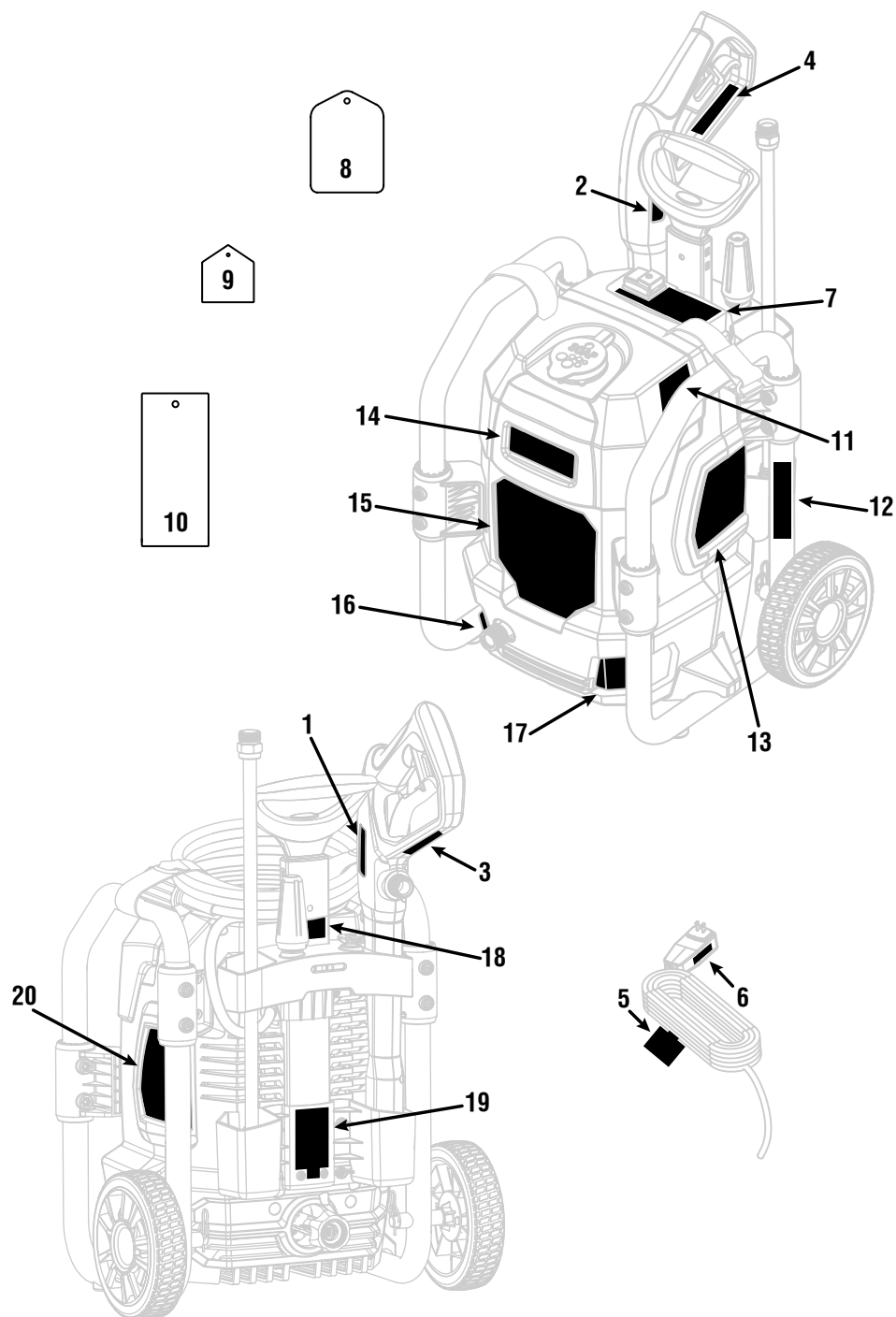
KEY NO.	PART NO.	DESCRIPTION	QTY.
1	290426022	Electrical Cord	1
2	308311038	Turbo Nozzle	1
3	308494077	Spray Wand Assembly	1
4	308698032	15 Degree Nozzle (.0165)	1
5	308706013	Soap Nozzle	1
6	308760084	Trigger Handle Assembly	1
7	308790085	Handle Assembly	1
8	Note A	Motor and Pump Assembly	1
9	308835119	25 ft. Hose	1
10	310650004	Soap Tank Cap	1
11	310801004	Hose Storage Strap	2
12	311253006	Wheel Assembly	2
13	518790044	Switch Cover	1
14	518790045	Vent Cover	1
15	522032019	Frame Holder	4
16	522032054	Wand/Trigger Handle Holder	1
17	522032055	Wand/Trigger Handle Pocket	1
18	522038007	Air Guide	1
19	522038044	Pump Bracket	1
20	522051003	Cord Clamp	1
21	524001024	Front Housing	1
22	524001025	Rear Housing	1
23	527784005	Terminal Sleeve	4

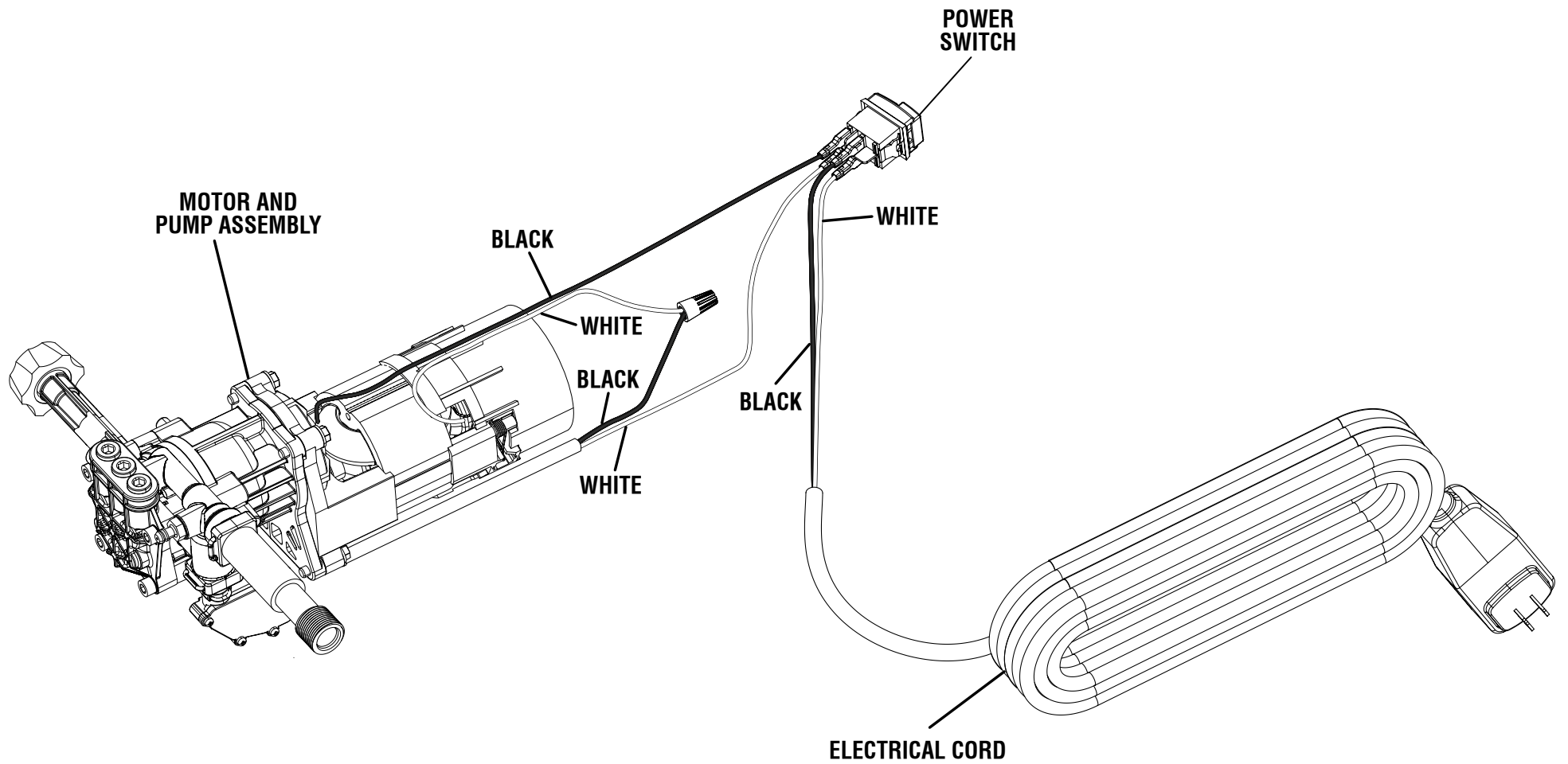
KEY NO.	PART NO.	DESCRIPTION	QTY.
24	528499001	Cord Clip	1
25	529062002	Detergent Pipe Inlet Adapter	1
26	561383025	Grommet	1
27	561383031	Foot	2
28	561399016	Chemical Siphon Tube	1
29	580875031	Soap Tank	1
30	620599029	Wheel Axle	2
31	630236004	Terminal	4
32	658879001	Upper Frame Tube	2
33	658879002	Lower Frame Tube	2
34	660454009	Heat Dam Mounting Bolt	8
35	661403016	Screw (St4.2 x 15 mm, Torx Hd.)	32
36	661610008	Screw (M3.5 x 20 mm)	2
37	661610009	Screw (M3.5 x 12 mm)	7
38	678509001	Hex Lock Nut (M5)	8
39	678899006	Ring Clip	2
40	700061001	Heat Shrinkable Tube	1
41	760504007	Power Switch	1
42	870601001	Wire Connector	1
43	902725001	Foam Pad	1
	Not Shown:		
	998000264	Operator's Manual	

Note A: Techtronic Industries Power Equipment, Inc., will not provide a complete motor/pump assembly as a replacement part. Contact our customer service department for assistance.

LABELS

KEY NO.	PART NO.	DESCRIPTION	QTY.
1	940786053	Trigger Handle Logo Label	1
2	940324040	Trigger Handle Warning Label (ENG)	1
3	940904013	Trigger Handle Rating Label	1
4	940324024	Trigger Handle Warning Label (FR/SP)	1
5	940324013	Cord Wrap Label	1
6	940603006	GFCI Warning Label	1
7	940851587	Starting Instructions and On/Off Label	1
8	961039007	Nozzle Hangtag	1
9	918015021	Prop 65 Hangtag	1
10	940473008	Danger Hangtag	1
11	941608005	Soap Dilution Label	1
12	941486008	Inquiries Label	1
13	940657347	Icons/EN Warnings Label	1
14	940705472	Logo Label	1
15	941851598	Performance Label	1
16	940705473	Left Side Vent Label	1
17	940705474	Right Side Vent Label	1
18	940608045	Soap Instructions Label	1
19	941588693	Data Label	1
20	940851588	Icons/FR Warnings Label	1





WIRING DIAGRAM