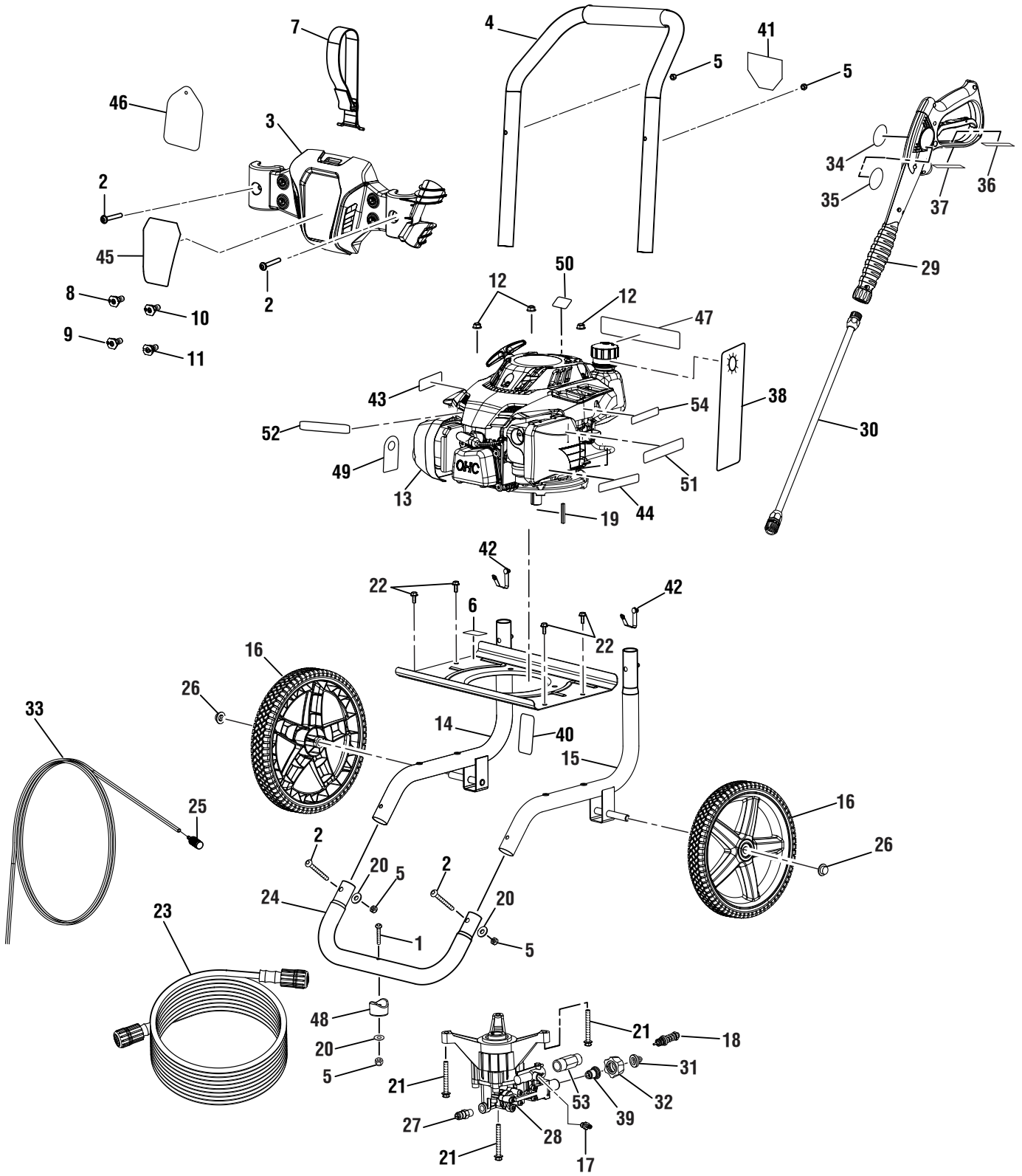


**Pressure Washer
Manufacturing No. 090079287
Item No. RY802723
Replacement Parts List**

TECHTRONIC INDUSTRIES POWER EQUIPMENT

1428 Pearman Dairy Road, Anderson, SC 29625 USA
1-800-860-4050 • www.ryobitools.com

RYOBI PRESSURE WASHER MODEL NO. RY802723



RYOBI PRESSURE WASHER MODEL NO. RY802723

The model number will be found on a label attached to the engine plate. Always mention the model number in all correspondence regarding your **PRESSURE WASHER** or when ordering replacement parts.

KEY PART NO. NUMBER	DESCRIPTION	QTY	KEY PART NO. NUMBER	DESCRIPTION	QTY
1	661503015 Bolt (M6 x 48 mm, T30 Torx Pan Hd.)	1	29	308760019 Trigger Handle Assembly (Inc. Keys Nos. 35 & 37)	1
2	661834004 Bolt (M6 x 42 mm, T30 Torx Pan Hd.)	4	30	308506006 Extension Wand	1
3	310673029 Hose and Nozzle Holder	1	31	308662001 Filter Screen (Pump Inlet)	1
4	308638060 Handle w/Foam	1	32	310993003 Collar	1
5	678610006 Lock Nut (M6)	5	33	561399003 Chemical Siphon Tube	1
6	940871016 Oil Fill Location Label	1	34	940786035 Trigger Handle Logo Label	1
7	308350003 Hose Holder Strap	1	35	940654084 Trigger Handle Warning Label (Eng)	1
8	308700030 40° Nozzle	1	36	940654228 Trigger Handle Warning Label (Fr/Sp)	1
9	308706011 Soap Nozzle	1	37	940786020 Trigger Handle Rating Label	1
10	308699029 25° Nozzle	1	38	940473012 Danger Hangtag	1
11	308697029 0° Nozzle	1	39	642058001 Spindle	1
12	678774002 Flange Nut (M8 x 1.25)	3	40	940947016 Combustion Label	1
13	Note A Engine (Subaru EA175V)	1	41	940617162 Quick Start Label	1
14	310703012 Main Frame Assembly (Left, Inc. Key No. 42)	1	42	308421004 Lock Button w/Spring Clip	2
15	310704013 Main Frame Assembly (Right, Inc. Key No. 42)	1	43	940680073 Hot Surface Label	1
16	308451053 Wheel	2	44	940803018 EMC Label	1
17	308452002 Detergent Suction Kit	1	45	940779162 Performance Label	1
18	310924003 Pump Unloader Valve	1	46	961039005 Nozzle Hangtag	1
19	678041006 Output Shaft Key (35 mm)	1	47	940654306 Danger Label	1
20	638128004 Washer (1/4 in.)	3	48	570554002 Wear Pad	1
21	660962003 Bolt (M8 x 60 mm, Hex Flange Hd.)	3	49	940889002 Dipstick Hangtag	1
22	661505020 Bolt (M6 x 16 mm, Hex Flange Hd.)	4	50	940873007 No E85 Label	1
23	308835006 Hose (25 ft.)	1	51	941486008 Inquiries Label	1
24	310742028 Front Frame Assembly (Inc. Key Nos. 1, 5, 20 & 48)	1	52	940608010 Subaru Brand Label	1
25	308103015 Chemical Siphon Filter	1	53	308862003 Outlet Tube	1
26	679957001 Push Cap Nut (1/2 in.)	2	54	940647119 Choke Label	1
27	678169004 Thermal Release Valve	1	Not Shown:		
28	308653052 Pump (Inc. Keys Nos. 17-18, 31-32, 39 & 53)	1	991000656	Operator's Manual	
			991000657	Quick Start Guide	
			900333015	Wire Tie	
			519314001	Funnel	

NOTE A: OWT Industries, Inc., will not provide engines as replacement parts. Engines are covered through the engine manufacturer's warranty. Consult the accompanying engine manual or contact our service department for assistance.

TECHTRONIC INDUSTRIES POWER EQUIPMENT

1428 Pearman Dairy Road, Anderson, SC 29625 USA
1-800-860-4050 • www.ryobitools.com