



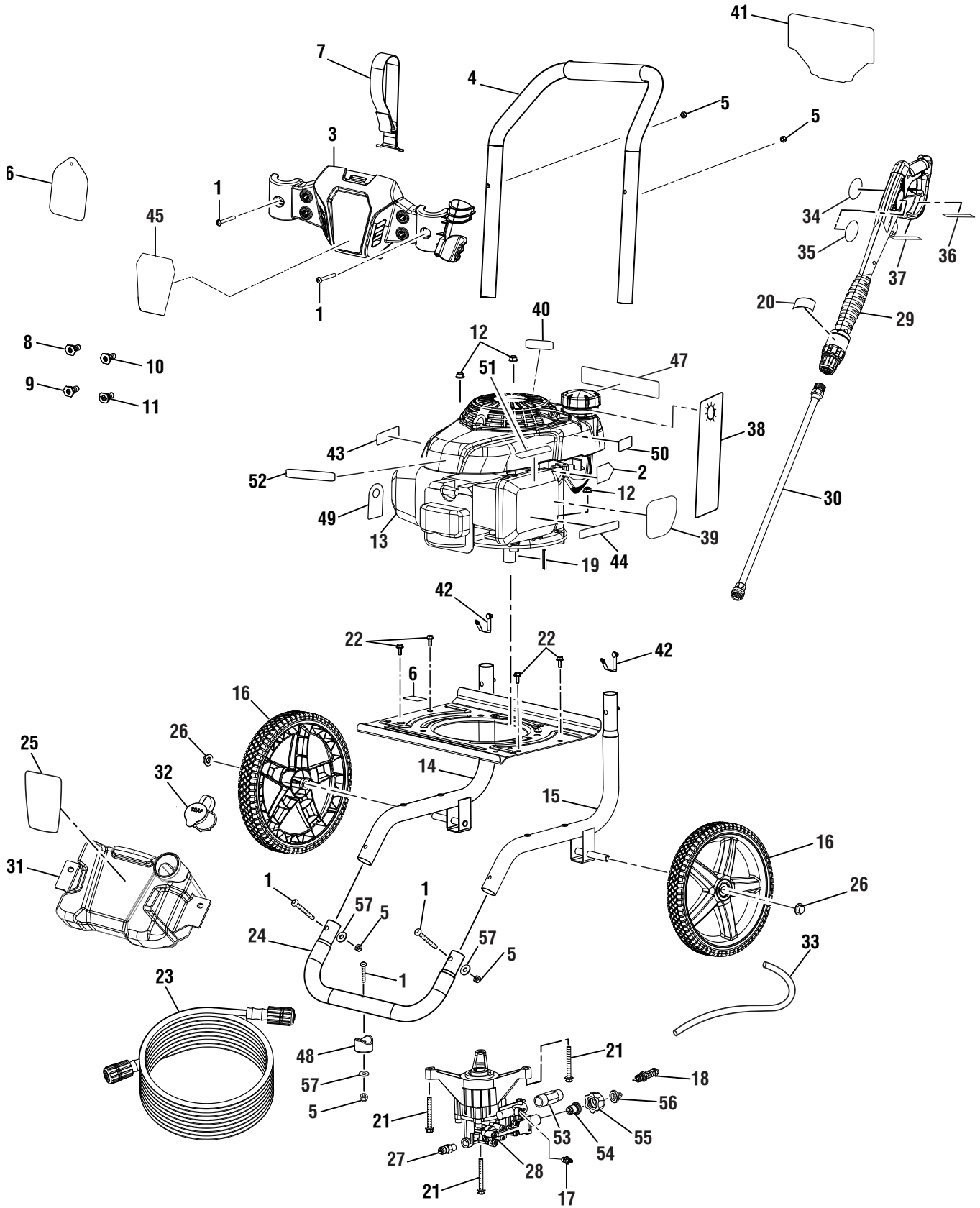
**Pressure Washer  
Manufacturing No. 090079359  
Item No. RY803000  
Replacement Parts List**

**TECHTRONIC INDUSTRIES POWER EQUIPMENT**

1428 Pearman Dairy Road, Anderson, SC 29625 USA  
1-800-860-4050 • [www.ryobitools.com](http://www.ryobitools.com)

995000092  
10-10-17 (Rev:01)

RYOBI PRESSURE WASHER MODEL NO. RY803000



## RYOBI PRESSURE WASHER MODEL NO. RY803000

The model number will be found on a label attached to the engine plate. Always mention the model number in all correspondence regarding your **PRESSURE WASHER** or when ordering replacement parts.

KEY PART NO. NUMBER	DESCRIPTION	QTY	KEY PART NO. NUMBER	DESCRIPTION	QTY		
1	661503015	Screw (M6 x 48 mm, T30 Torx Hd.).....	5	31	580875014	Soap Tank .....	1
2	941550005	Engine On/Off Label.....	1	32	310650004	Soap Tank Cap.....	1
3	310673029	Hose and Nozzle Holder .....	1	33	570728009	Chemical Siphon Tube .....	1
4	308638060	Handle w/Foam.....	1	34	940786035	Trigger Handle Logo Label.....	1
5	678610006	Lock Nut (M6).....	5	35	940654084	Trigger Handle Warning Label (Eng)....	1
6	940871016	Oil Fill Location Label.....	1	36	940654228	Trigger Handle Warning Label (Fr/Sp) ..	1
7	308350003	Hose Holder Strap.....	1	37	940786020	Trigger Handle Rating Label.....	1
8	308700030	40° Nozzle .....	1	38	940473012	Danger Hangtag.....	1
9	308706011	Soap Nozzle .....	1	39	940698019	Engine Control Label.....	1
10	308699029	25° Nozzle.....	1	40	940947010	Combustion Label.....	1
11	308697029	0° Nozzle .....	1	41	940617147	Quick Start Label.....	1
12	678774002	Flange Nut (M8 x 1.25).....	3	42	308421004	Lock Button w/Spring Clip.....	2
13	Note A	Engine (Honda GCV 160) .....	1	43	940680027	Hot Surface Label .....	1
14	310703012	Main Frame Assembly (Left, Inc. Key No. 42).....	1	44	940803288	EMC Label.....	1
15	310704013	Main Frame Assembly (Right, Inc. Key No. 42) .....	1	45	940617189	Performance Label.....	1
16	308451053	Wheel .....	2	46	961039005	Nozzle Hangtag.....	1
17	308452002	Detergent Suction Kit.....	1	47	940894012	Danger Label.....	1
18	310924003	Pump Unloader Valve.....	1	48	570554002	Wear Pad.....	1
19	678041007	Output Shaft Key.....	1	49	961454001	Dipstick Hangtag.....	1
20	941743004	Trigger Handle Power Control Label ....	1	50	940872003	No E85 Label.....	1
21	660962003	Bolt (M8 x 60 mm, Flange Hd.) .....	3	51	941486008	Inquiries Label .....	1
22	661505020	Bolt (M6 x 16 mm, Flange Hd.) .....	4	52	941714004	Honda Brand Label .....	1
23	308835006	Hose.....	1	53	308862003	Outlet Tube.....	1
24	310742028	Front Frame(Inc. Key Nos. 1, 5, 48 & 57) .....	1	54	642058001	Spindle .....	1
25	940608020	Detergent Tank Label .....	1	55	310993003	Collar.....	1
26	679957001	Push Cap Nut.....	2	56	308662001	Filter Screen (Pump Inlet).....	1
27	678169004	Thermal Release Valve .....	1	57	638128004	Washer (1/4 in.) .....	3
28	308653052	Pump (Inc. Keys Nos 17-18 & 53-56)...	1	<b>Not Shown:</b>			
29	308760054	Trigger Handle Assembly (Inc. Keys Nos. 20 & 35-37) .....	1	995000090	Operator's Manual		
30	308506014	Extension Wand .....	1	995000091	Quick Start Guide		
				900333015	Wire Tie		
				519314001	Funnel		

**NOTE A:** OWT Industries, Inc., will not provide engines as replacement parts. Engines are covered through the engine manufacturer's warranty. Consult the accompanying engine manual or contact our service department for assistance.