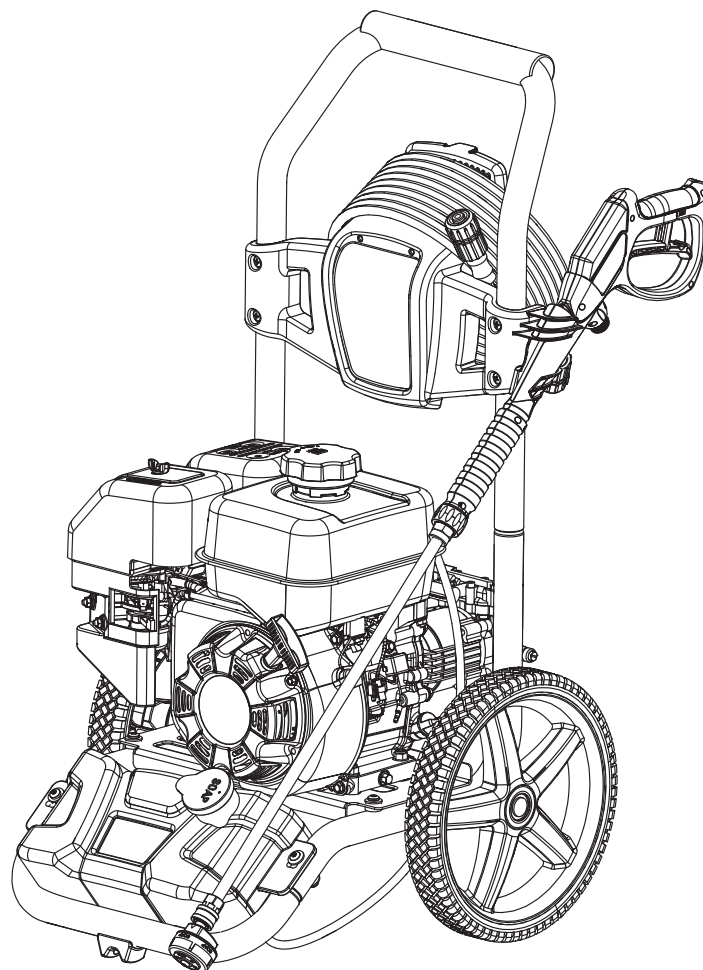


## REPLACEMENT PARTS LIST

BRAND <b>RYOBI</b>		DESCRIPTION <b>3200 Pressure Washer</b>
MODEL NO. <b>RY803223VNM</b>	MFG. NO. <b>095079699</b>	



**TECHTRONIC INDUSTRIES POWER EQUIPMENT**

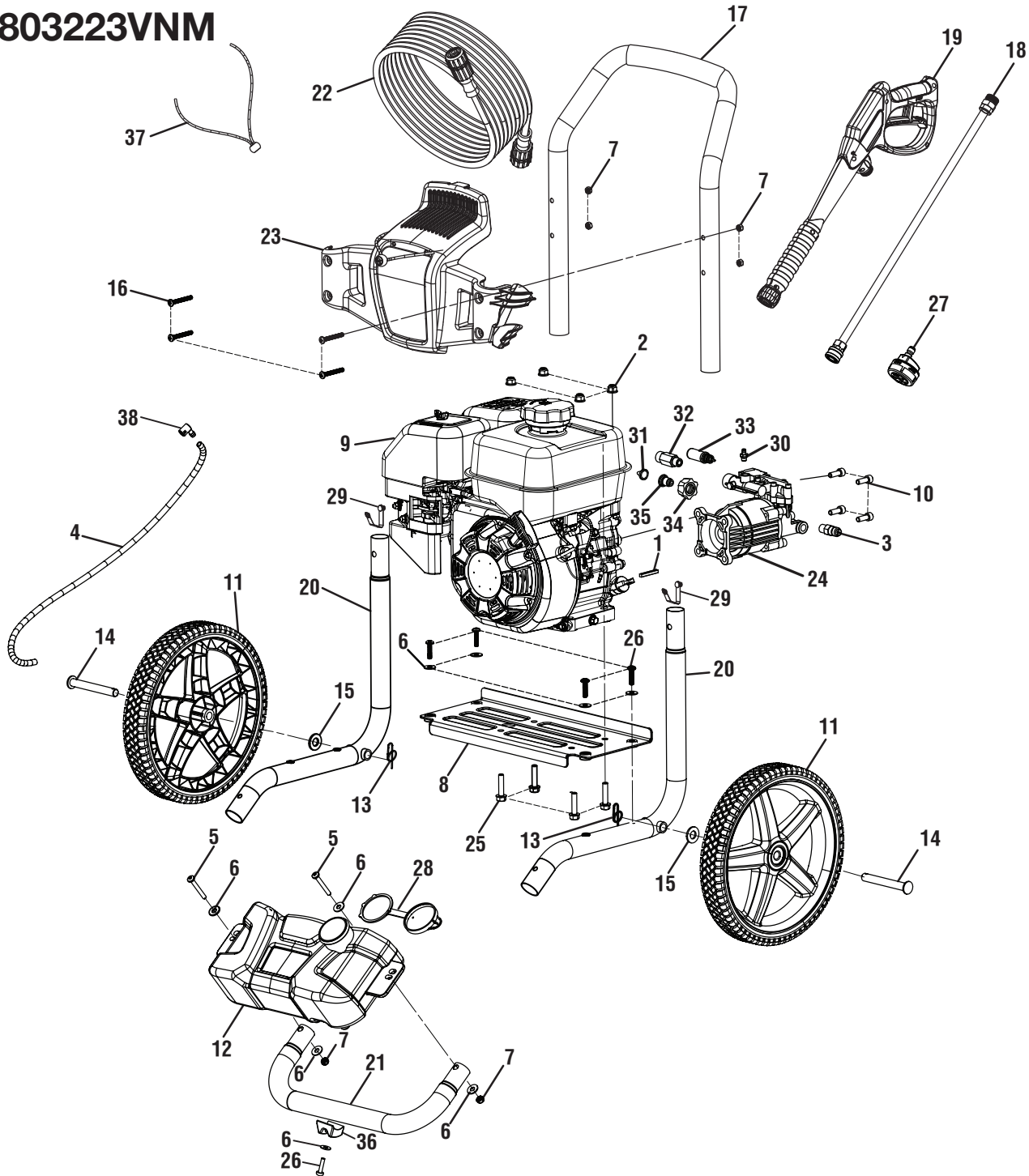
P.O. Box 1288, Anderson, SC 29622 ■ 1-800-525-2579 ■ [www.ryobitools.com](http://www.ryobitools.com)

998000458  
8-16-21 (Rev:01)

*The model number and manufacturing location will be found on a label attached to the product. Always mention this information in all communications regarding this product and when ordering parts.*

**RYOBI**

**RY803223VNM**





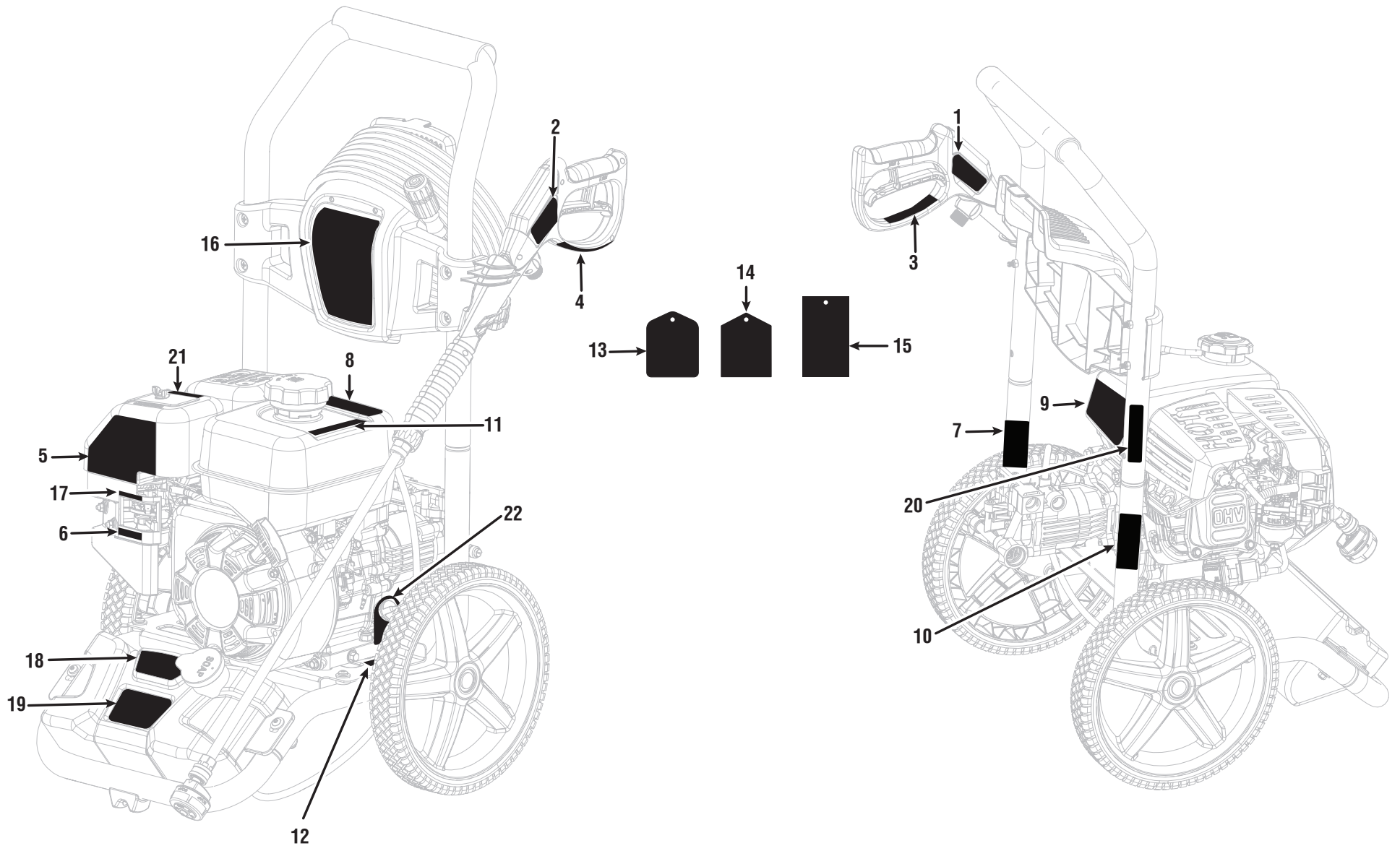
**RY803223VNM**

**PARTS LIST**

KEY NO.	PART NO.	DESCRIPTION	QTY.
1	678041007	Output Shaft Key	1
2	678774002	Nut (M8)	4
3	678169004	Thermal Release Valve	1
4	561399017	Chemical Siphon Tube	1
5	661503015	Screw (M6 x 48 mm, Torx T30 Pan Hd.)	2
6	638128004	Washer (1/4)	9
7	678610006	Lock Nut (M6)	6
8	638662056	Engine Plate	1
9	<b>Note A</b>	Motor Assembly	1
10	660739002	Bolt (5/16-24 x 23 mm, Hex Hd.)	4
11	308451067	Wheel Assembly	2
12	580875015	Soap Tank	1
13	678899006	Ring Clip	2
14	620599034	Axle	2
15	638275002	Washer (1/2)	2
16	661834008	Screw (M6 x 48 mm, Pan Hd.)	4
17	308638092	Handle Assembly	1
18	308506014	Wand Assembly	1
19	308760061	Trigger Handle Assembly	1
20	310703046	Frame Assembly	2

KEY NO.	PART NO.	DESCRIPTION	QTY.
21	310742040	Front Frame Assembly	1
22	308835116	Hose	1
23	310673040	Performance Panel Assembly	1
24	314961010	Pump	1
25	661505005	Screw (M8 x 36 mm)	4
26	660224009	Screw (M6 x 25 mm, T30 Torx Hex Hd.)	5
27	310448027	5-in-1 Nozzle	1
28	310650004	Soap Tank Cap	1
29	308421004	Handle Spring Clip Assembly	1
30	308452002	Soap Injector Kit	1
31	308662001	Inlet Filter Screen	1
32	308862003	Outlet Tube	1
33	310924003	Unloader Valve Assembly	1
34	310993003	Inlet Filter Adapter Insert	1
35	642058001	Inlet Filter Connector	1
36	561307007	Rubber Foot	1
37	310664001	Bungee Cord Assembly	1
38	529062002	Detergent Inlet Adaptor	1
	<b>Not Shown:</b>		
	998000456	Operator's Manual	

**NOTE A:** Techtronic Industries Power Equipment, Inc., will not provide complete engines as replacement parts. Engines are covered through the engine manufacturer's warranty. Consult the accompanying engine manual or contact our service department for assistance.





**RY803223VNM**

**PARTS LIST — LABELS**

KEY NO.	PART NO.	DESCRIPTION	QTY.
1	940851520	Trigger Handle Logo Label	1
2	940654083	Trigger Handle Warning Label	1
3	940654228	Trigger Handle Warning Label (FR/SP)	1
4	940904008	Trigger Handle Rating Label	1
5	940779349	Engine Brand Label	1
6	940779348	Fuel Valve Label	1
7	940676024	Data Warning Label	1
8	940851517	Hot Surface Label	1
9	940894022	Danger Label	1
10	940947003	Combustion Label	1
11	940872003	E85 Label	1

KEY NO.	PART NO.	DESCRIPTION	QTY.
12	940871010	Add Oil Label	1
13	918016071	Quick Start Hangtag	1
14	941609001	Nozzle Hangtag	1
15	940851346	Fuel Cap Hangtag	1
16	940779328	Performance Label	1
17	940779345	Choke Label	1
18	940779346	Detergent Tank Label	1
19	940779347	Detergent Tank Logo Label	1
20	941486008	Inquiries Label	1
21	940803288	EMC Label	1
22	961454001	Dipstick Hangtag	1