

**RYOBI**  
**Pressure Washer**  
**Item No. RY803300H**  
**Manufacturing No. 090079430**  
**Replacement Parts List**

**TECHTRONIC INDUSTRIES POWER EQUIPMENT, INC.**

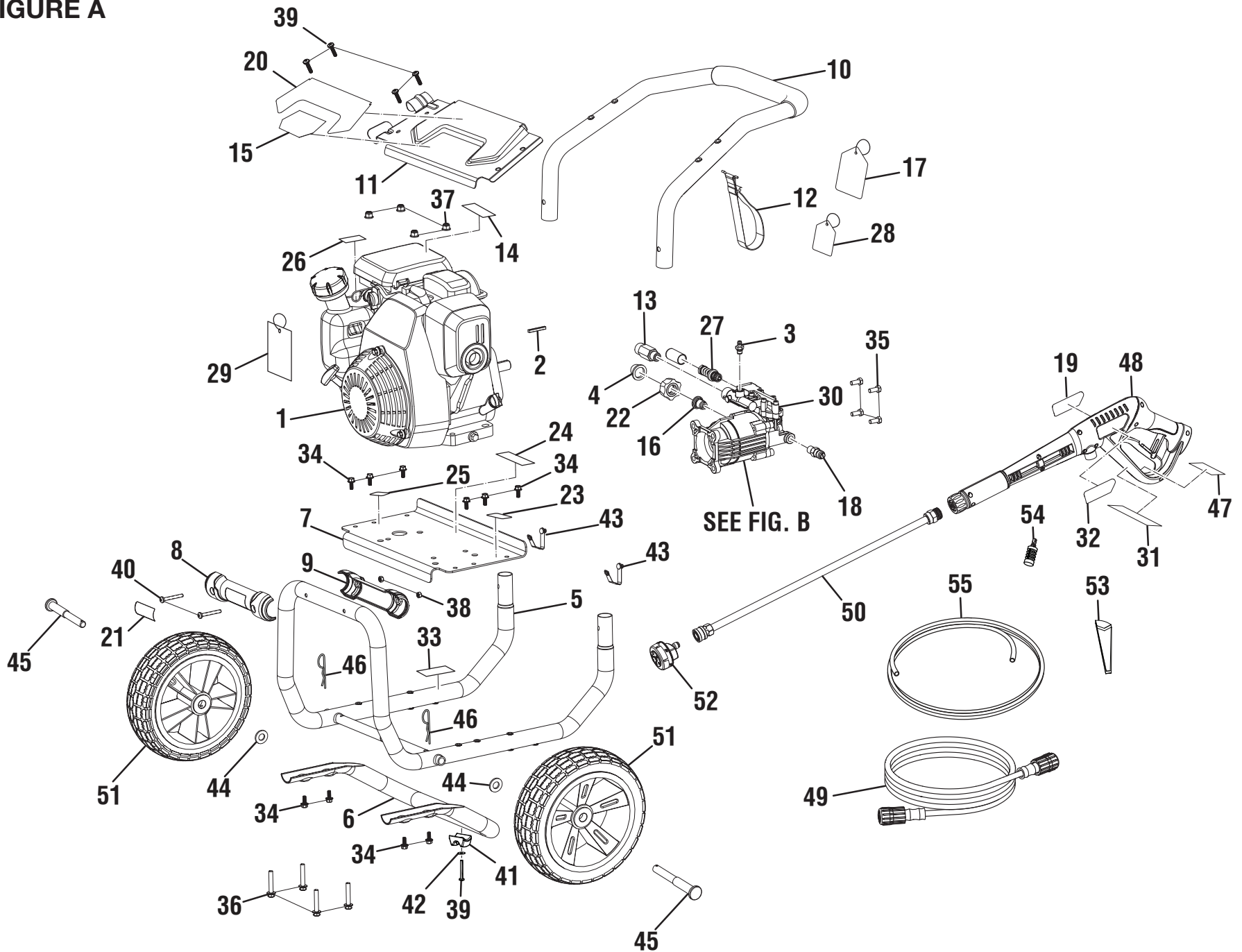
P.O. Box 1288, Anderson, SC 29622

Phone 1-800-860-4050

[www.ryobitools.com](http://www.ryobitools.com)

995000728  
2-28-19 (Rev:01)

FIGURE A



## RYOBI PRESSURE WASHER – ITEM NO. RY803300H

The model number will be found on a label attached to pump housing. Always mention the model number in all correspondence regarding your **PRESSURE WASHER** or when ordering replacement parts.

### FIGURE A PARTS LIST

KEY NO.	PART NUMBER	DESCRIPTION	QTY	KEY NO.	PART NUMBER	DESCRIPTION	QTY
1	<b>NOTE A</b>	Engine (Honda GC190) .....	1	31	940851446	Trigger Handle Rating Label.....	1
2	678041007	Output Shaft Key .....	1	32	940654083	Trigger Handle Warning Label (English) .....	1
3	308452002	Soap Injector Kit .....	1	33	940676024	Data and Warning Label .....	1
4	308662001	Filter Screen.....	1	34	661505020	Bolt (M6 x 16 mm, Flange Hd.).....	10
5	308471053	Main Frame Assembly (Inc. Key No. 43).....	1	35	661557001	Bolt (5/16-24 x 3/4 in., Hex Hd.) .....	4
6	308774006	Rear Frame Assembly (Inc. Key Nos. 39 & 41-42).....	1	36	660764002	Bolt (M8 x 1.25 x 40 mm, Flange Hd.) .....	4
7	638662029	Engine Plate.....	1	37	678774002	Lock Nut (M8 x 1.25).....	4
8	522951003	Handle Grip (Front).....	1	38	678610006	Lock Nut (M6).....	2
9	522951004	Handle Grip (Back).....	1	39	660224009	Screw (M6 x 25 mm, T30 Torx Hd.) .....	5
10	308638073	Handle Assembly .....	1	40	661503015	Bolt (M6 x 48 mm, T30 Torx Hd.) .....	2
11	638671023	Performance Panel .....	1	41	561307007	Wear Pad.....	1
12	308350003	Hose Holder Strap .....	1	42	638128004	Washer (1/4 in.) .....	1
13	308862003	Outlet Tube.....	1	43	308421004	Lock Button w/Spring Clip.....	2
14	940851409	Hot Surface and Exhaust Label .....	1	44	638275002	Washer (1/2 in.) .....	2
15	940851508	Performance Label.....	1	45	620599044	Axle .....	2
16	310993003	Inlet Filter Adapter/Brass Insert .....	1	46	678238001	Hitch Pin.....	2
17	918016034	Quick Start Hangtag .....	1	47	940654228	Trigger Handle Warning Label (Fr/Sp).....	1
18	678169004	Thermal Release Valve.....	1	48	308760070	Trigger Handle (Inc. Key Nos. 31-32 & 47).....	1
19	940851520	Trigger Handle Logo Label.....	1	49	308835101	High Pressure Hose (35 ft.) .....	1
20	940851507	Logo Label (Performance Panel).....	1	50	308506014	Spray Wand .....	1
21	940851418	Handle Grip Logo Label.....	1	51	308451083	Wheel .....	2
22	642058001	Inlet Filter Connector/Aluminum .....	1	52	310448021	5-in-1 change over nozzle .....	1
23	940871016	Lubricant Label .....	1	53	519314001	Funnel .....	1
24	940947016	Combustion Label.....	1	54	308103015	Injection Hose Filter .....	1
25	940894022	Danger Label.....	1	55	561399003	Injection Hose .....	1
26	940872003	E85 Label .....	1	<b>Not Shown:</b>			
27	310924003	Unloader Assembly.....	1	900333015	Wire Tie		
28	941609001	Nozzle Hangtag.....	1	995000726	Operator's Manual		
29	940851346	Danger Hangtag.....	1	995000727	Quick Reference Guide		
30	308653099	Pump.....	1				

**NOTE A:** Techtronic Industries Power Equipment, Inc., will not provide complete engines as replacement parts. Engines are covered through the engine manufacturer's warranty. Consult the accompanying engine manual or contact our service department for assistance.