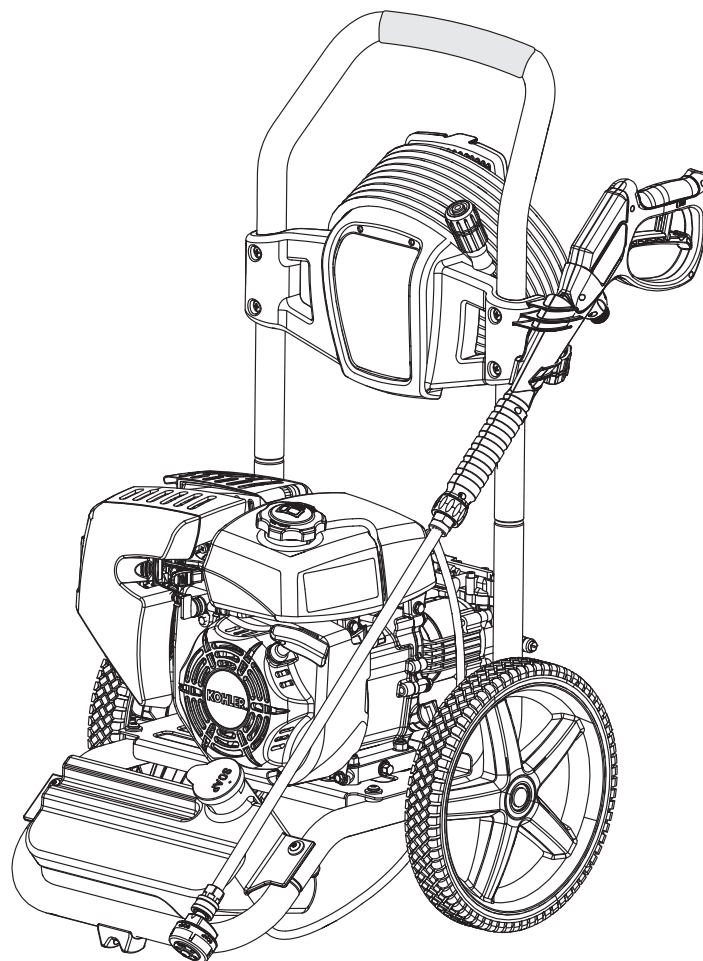


REPLACEMENT PARTS LIST

BRAND RYOBI		DESCRIPTION 3200 PSI Pressure Washer
MODEL NO. RY803265VNM	MFG. NO. 095079527	

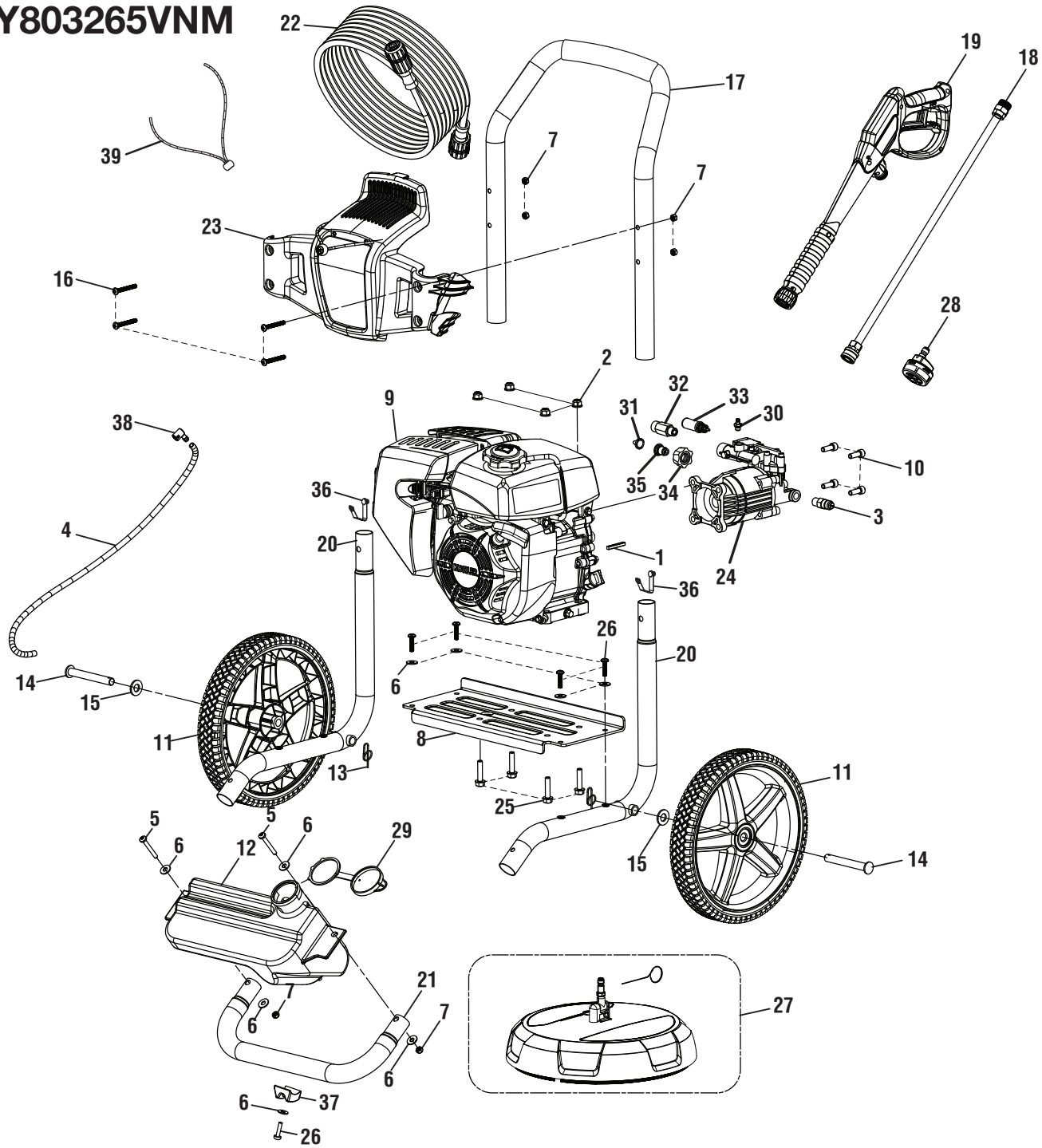


TECHTRONIC INDUSTRIES POWER EQUIPMENT

P.O. Box 1288, Anderson, SC 29622 ■ 1-800-525-2579 ■ www.ryobitools.com

998000455
8-16-21 (Rev:01)

The model number and manufacturing location will be found on a label attached to the product. Always mention this information in all communications regarding this product and when ordering parts.





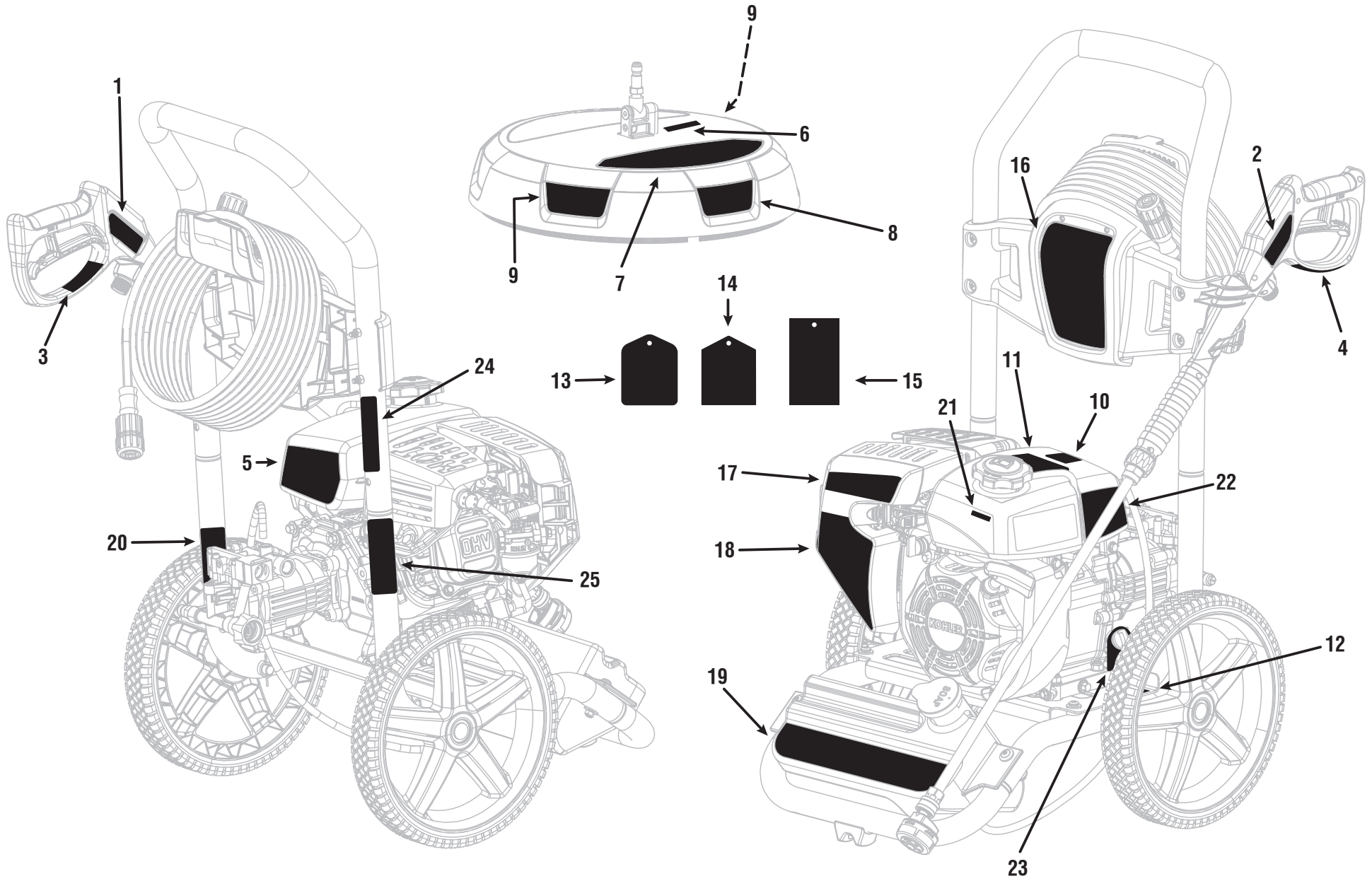
RY803265VNM

PARTS LIST

KEY NO.	PART NO.	DESCRIPTION	QTY.
1	678041007	Output Shaft Key	1
2	678774002	Nut (M8)	4
3	678169004	Thermal Release Valve	1
4	561399017	Chemical Siphon Tube	1
5	661503015	Screw (M6 x 48 mm, Torx T30 Pan Hd.)	2
6	638128004	Washer (1/4)	9
7	678610006	Lock Nut (M6)	6
8	638662056	Engine Plate	1
9	Note A	Motor	1
10	660739002	Bolt (5/16-24 x 23 mm, Hex Hd.)	4
11	308451067	Wheel Assembly	2
12	580875008	Soap Tank	1
13	678899006	Ring Clip	2
14	620599034	Axle	2
15	638275002	Washer (1/2)	2
16	661834008	Screw (M6 x 48 mm, Pan Hd.)	4
17	308638092	Handle Assembly	1
18	308506014	Wand	1
19	308760085	Trigger Handle Assembly	1
20	310703046	Frame Assembly	2
21	310742040	Front Frame Assembly	1

KEY NO.	PART NO.	DESCRIPTION	QTY.
22	308835116	Hose	1
23	310673040	Performance Panel Assembly	1
24	314961010	Pump	1
25	661505005	Screw (M8 x 36 mm)	4
26	660224009	Screw (M6 x 25 mm, T30 Torx Hex Hd.)	5
27	308999082	Surface Cleaner	1
28	310448027	5-in-1 Nozzle	1
29	310650004	Soap Tank Cap	1
30	308452002	Soap Injector Kit	1
31	308662001	Inlet Filter Screen	1
32	308862003	Outlet Tube	1
33	310924003	Unloader Valve Assembly	1
34	310993003	Inlet Filter Adapter Insert	1
35	642058001	Inlet Filter Connector	1
36	308421004	Handle Spring Clip Assembly	1
37	561307007	Rubber Foot	1
38	529062002	Detergent Inlet Adaptor	1
39	310664001	Bungee Cord	1
	Not Shown:		
	998000453	Operator's Manual	
	995000637	Surface Cleaner Operator's Manual	

NOTE A: Techtronic Industries Power Equipment, Inc., will not provide complete engines as replacement parts. Engines are covered through the engine manufacturer's warranty. Consult the accompanying engine manual or contact our service department for assistance.





RY803265VNM

PARTS LIST

KEY NO.	PART NO.	DESCRIPTION	QTY.
1	940851520	Trigger Handle Logo Label	1
2	940654083	Trigger Handle Warning Label (ENG)	1
3	940654228	Trigger Handle Warning Label (FR & SP)	1
4	940904018	Trigger Handle Data Label	1
5	940779323	Danger Label	1
6	940786066	Nozzle Cleaning Label	1
7	940779329	Surface Cleaner Performance Label	1
8	940705426	Callout Label	1
9	940507006	Cut Foot Icon Label	2
10	940851409	Hot Surface Label	1
11	940872003	E85 Label	1
12	940871010	Add Oil Label	1
13	918016065	Quick Start Hangtag	1

KEY NO.	PART NO.	DESCRIPTION	QTY.
14	941609001	Nozzle Hangtag	1
15	940851346	Fuel Cap Hangtag	1
16	940779328	Performance Label	1
17	940779321	Choke Label	1
18	940779325	Cover Label	1
19	940779324	Detergent Tank Label	1
20	940676024	Data Warning Label	1
21	940803288	EMC Label	1
22	940779322	Danger Label	1
23	961454001	Dipstick Hang Tag	1
24	941486008	Inquiries Label	1
25	940947003	Combustion Label	1