

WARRANTY

Product Warranty

Always keep your receipt as proof of purchase. We're here to help! If you have any questions or comments, call our toll free hotline 1-866-4SIMONIZ (1-866-474-6664). Have your serial number ready. The serial number can be found on the back plate, located on the rear of the unit. This product has a Parts Replacement, Product Exchange and/or Repair Warranty only. NO REFUNDS will be provided. Please see stores for Product Exchange details.

2-year Warranty - Motor

This product is warranted to be free from defects in material and workmanship for two years from the date of its original purchase. If such a defect appears during the warranty period, upon presentation of proof of purchase, Trileaf Distribution will repair or replace (at its option). Shipping charges may apply.

90-day Warranty - Accessories

Gun assembly, hoses, spray wands and other accessories are warranted for 3 months from the date of purchase. You may purchase accessories directly through place of purchase, or by calling. This warranty does not cover accidental damage, unreasonable use, normal wear and tear, use of improper detergents, freezing, neglect, or noncompliance with Operation Instructions. Warranty does not cover loss of use, or other consequential damages arising from any of the above, nor does it cover repairs made or attempted by unauthorized persons. Warranty is void if the equipment is used for commercial, rental or industrial purposes. If you have more questions, visit our website at www.simoniz.ca or call 1-866-4simoniz (1-866-474-6667).

IMPORTANT PRECAUTIONS – READ FIRST

Safety Warnings

- When using this product, basic precautions should always be followed. Read all the instructions before using the product.
- To reduce the risk of electric shock – Do not expose to rain. Store indoors.
- High-pressure jets can be dangerous if subject to misuse. The jet must not be directed at persons or animals.
- Water spray must never be directed towards any electric wiring, devices or directly towards the pressure washer machine itself or fatal electric shock may occur.
- To reduce the risk of injury, do not operate the machine near children.
- Learn how to stop the machine and release pressure quickly. Be thoroughly familiar with the controls.
- Stay alert—watch what you are doing.
- Wear safety goggles.
- For use with cold water supply only. Do not draw other liquids.
- Do not use acids, solvents, or any other flammable material in this product. These products can cause physical injuries to the operator and irreversible damage to the machine.
- To reduce the risk of electrocution, keep all connections dry and off the ground. Do not touch plug with wet hands.
- The pressure washer should not be used in areas where gas vapours may be present. An electric spark could cause an explosion or fire.
- To minimize the amount of water getting into the pressure washer, the unit should be placed as far as possible from the cleaning site during operation.
- Avoid accidental starts. Shut power “OFF” before connecting or disconnecting cord to electrical outlets.
- Do not operate the product when fatigued or under the influence of alcohol or drugs.
- Do not stand on unstable surfaces. Stand with both feet balanced at all times.
- Prior to starting the pressure washer in cold weather, be sure ice has not formed in any part of the equipment.
- Never carry your pressure washer by the cord.
- Do not pull on the cord to disconnect from the outlet.
- To allow free air circulation, the pressure washer should not be covered during operation.
- The Trigger Gun Safety Lock prevents the trigger from accidentally being engaged. This safety feature does not lock trigger in the “ON” position.

⚠ WARNINGS ⚠

- **Do not use with flammable liquids and toxic chemicals.**
- **Injection Hazard: Equipment can cause serious injury if the spray penetrates the skin.**
- **Do not point the gun at anyone or any part of the body. In case of penetration seek medical aid immediately.**
- **This system is capable of producing 1700PSI.**
- **To avoid rupture and injury, do not operate this pump with components rated less than 1700PSI working pressure (including but not limited to spray guns, hose and hose connections).**
- **Before servicing, cleaning or removal of any parts, turn off “O” the power and relieve pressure.**
- **Do not spray electrical apparatus and wiring.**
- **If connection is made to a portable water system, the system shall be protected against backflow.**

IMPORTANT PRECAUTIONS – READ FIRST

Save These Instructions

In a double-insulation product, two systems of insulation are provided instead of grounding. No grounding means is provided on a double-insulated product, nor should a means for grounding be added to the product. Servicing a double-insulated product requires extreme care and knowledge of the system, and should be done only by qualified service personnel.

Replacement parts of a double-insulated product must be identical to the parts they replace. A double-insulated product is marked with the words "DOUBLE INSULATION" or "DOUBLE INSULATED". The symbol "⏏" may also be marked on the product.

SAFETY FEATURES & ELECTRICAL POWER INFORMATION

The unit is equipped with a stop device that will sense when the trigger on the gun is released. It will open the power circuit to the motor and cause the pressure washer motor to stop. Motor will resume again when trigger is pulled.

⚠ WARNING ⚠

The unit is also equipped with a power switch located on the back of the unit. It should always be moved to the off position "O" when the unit is not being used to prevent possible injury or damage.

⚠ DANGER ⚠

Improper connection of the equipment-grounding conductor can result in a risk of electrocution. Check with a qualified electrician or service personnel if you are in doubt as to whether the outlet is properly grounded. Do not modify the plug provided with the product—If it will not fit the outlet, have a proper outlet installed by a qualified electrician. Do not use any type of adaptor with this product.

Extension Cords

If possible, do not use extension cords with this product. However, if you must use one, observe all the warnings and instructions listed below:

⚠ WARNING ⚠

Extension cords are not recommended unless they are plugged into a ground fault circuit-interrupter found in circuit boxes or protected receptacles.

Use a sufficient gauge:

Maximum cable length: 50' = 14 AWG

Use only extension cords that are intended for outdoor use. These extension cords are identified by a marking "Acceptable for use with outdoor appliances; store indoors while not in use." Use only extension cords having an electrical rating not less than the rating of the product. Do not use damaged extension cords. Examine extension cord before using and replace if damaged. Do not abuse extension cord and do not yank on any cord to disconnect. Keep cord away from heat and sharp edges. Always disconnect the extension cord from the receptacle before disconnecting the product from the extension cord. To reduce the risk of electrocution, keep all connections dry and off the ground. Do not touch plug with wet hands.

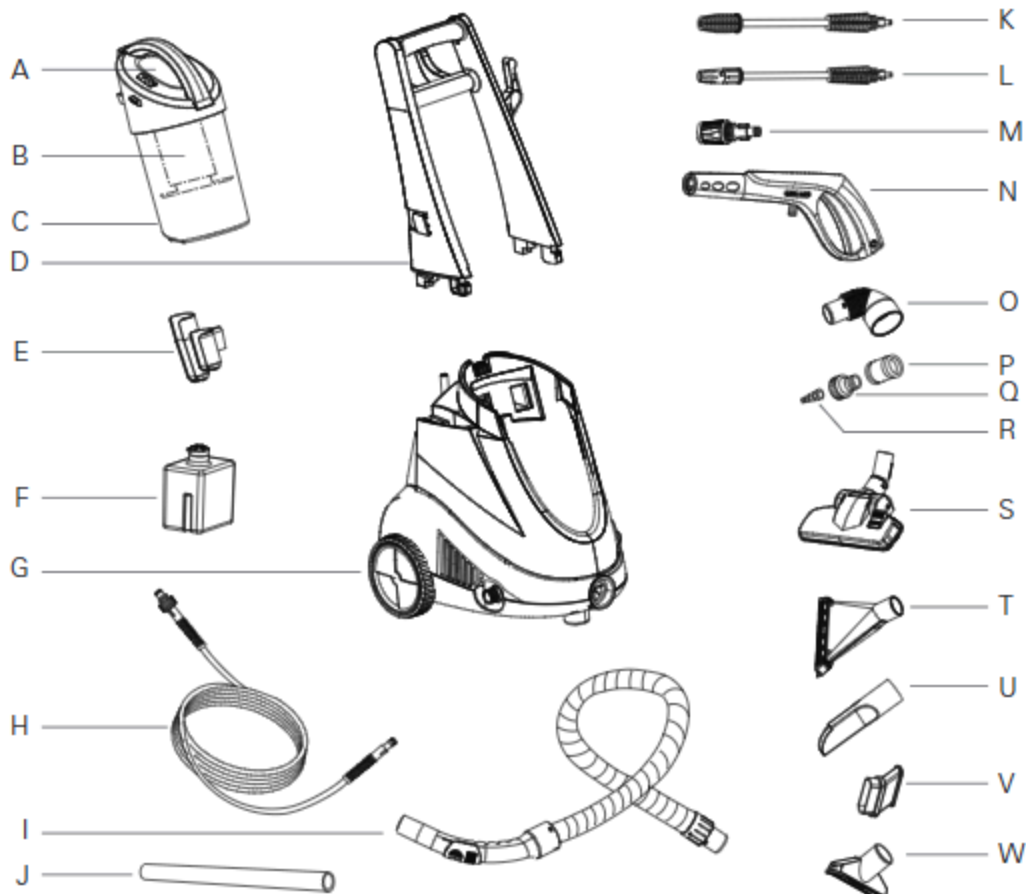
⚠ CAUTION ⚠

This machine has been designed for use with cleaning detergent supplied or recommended by the Manufacturer. The use of other cleaning detergents may affect the operation of the machine and void the warranty.

⚠ WARNING ⚠

Before starting any cleaning task it is important to inspect the area for objects which could create a hazard. Remove objects from the work area which could be tripped over, such as toys or outdoor furniture.

PARTS AND DIAGRAM LIST

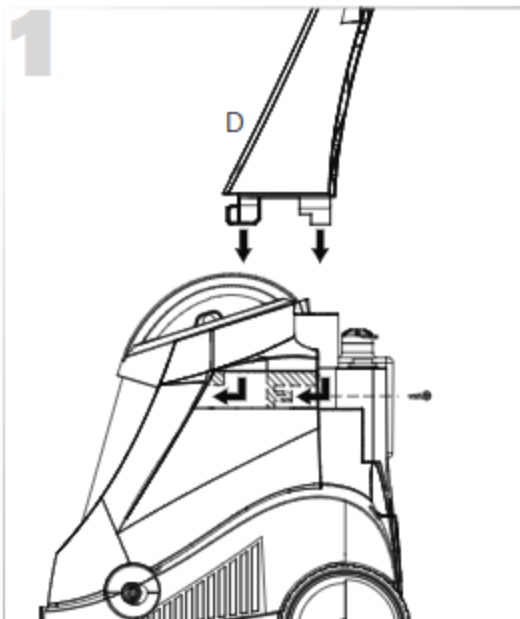


Parts List

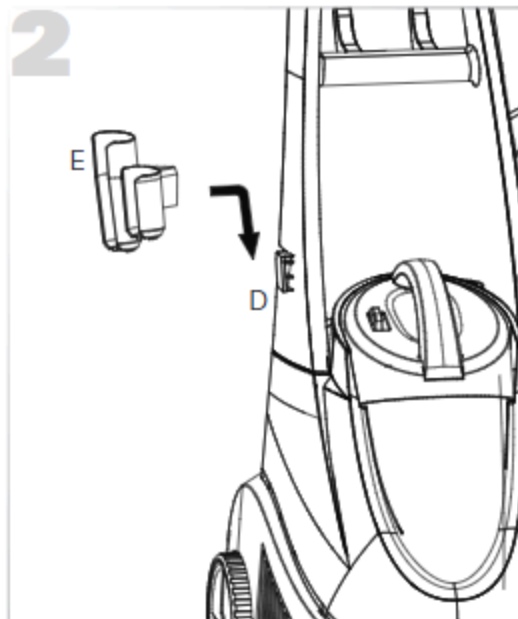
Part Number

A	Handle Top	YE01-050-0001
B	HEPA Filter	YE01-050-0002
C	Wet/Dry Canister	YE01-050-0012
D	Up-Handle Assembly	YE01-002-0000
E	Gun Holster	YE01-000-0004
F	Detergent Bottle Assembly	YE01-050-0003
G	Wheels	YE01-000-0005
H	High-Pressure Hose	YE01-000-0003
I	Flexible Tube	YE01-050-0004
J	Extension Tube	YE01-050-0005
K	Turbo Wand	YE01-000-0008
L	Adjustable Wand	YE01-000-0007
M	Universal Pressure Washer Accessory Adaptor	YE01-050-0006
N	Gun Assembly	YE01-061-0000
O	Universal Wet/Dry Vac Accessory Adaptor	YE01-050-0007
P	Quick-Connect	YE01-050-0000
Q	Inlet Adaptor	YE01-050-0000
R	Water Filter	YE01-020-0009
S	Vacuum Tool	YE01-050-0008
T	Squeegee Tool	YE01-050-0009
U	Crevice Tool	YE01-050-0010
V	Crevice Tool W/Brush	YE01-050-0011
W	Upholstery brush	YE01-050-0013

GENERAL ASSEMBLY INSTRUCTIONS



1 Connect the up-handle assembly (D) to the main unit and secure it by tightening the screws.



2 Attach the gun holster (E) to the up-handle assembly (D).

⚠ CAUTION ⚠

- Never use the pressure washer to draw in water contaminated with solvents (e.g. paint thinners, gasoline, oil, etc.).
- Dirt in the water inlet will damage the unit. To avoid this risk, we recommend checking the water filter (located inside the water inlet; to clean it out see Maintenance section).
- Always prevent debris from being drawn into the unit by using a clean water source and an additional accessory water filter if required.

Water Supply (Cold Water Only)

Only draw water through the unit. For use with cold water supply only. Water hose must be at least a 1/2" in diameter. Flow rate of water supply must not fall below 2 GPM (gallons per minute). Flow rate can be determined by running the water for one minute into an empty 5-gallon container. The water supply temperature must not exceed 40°C (104°F).