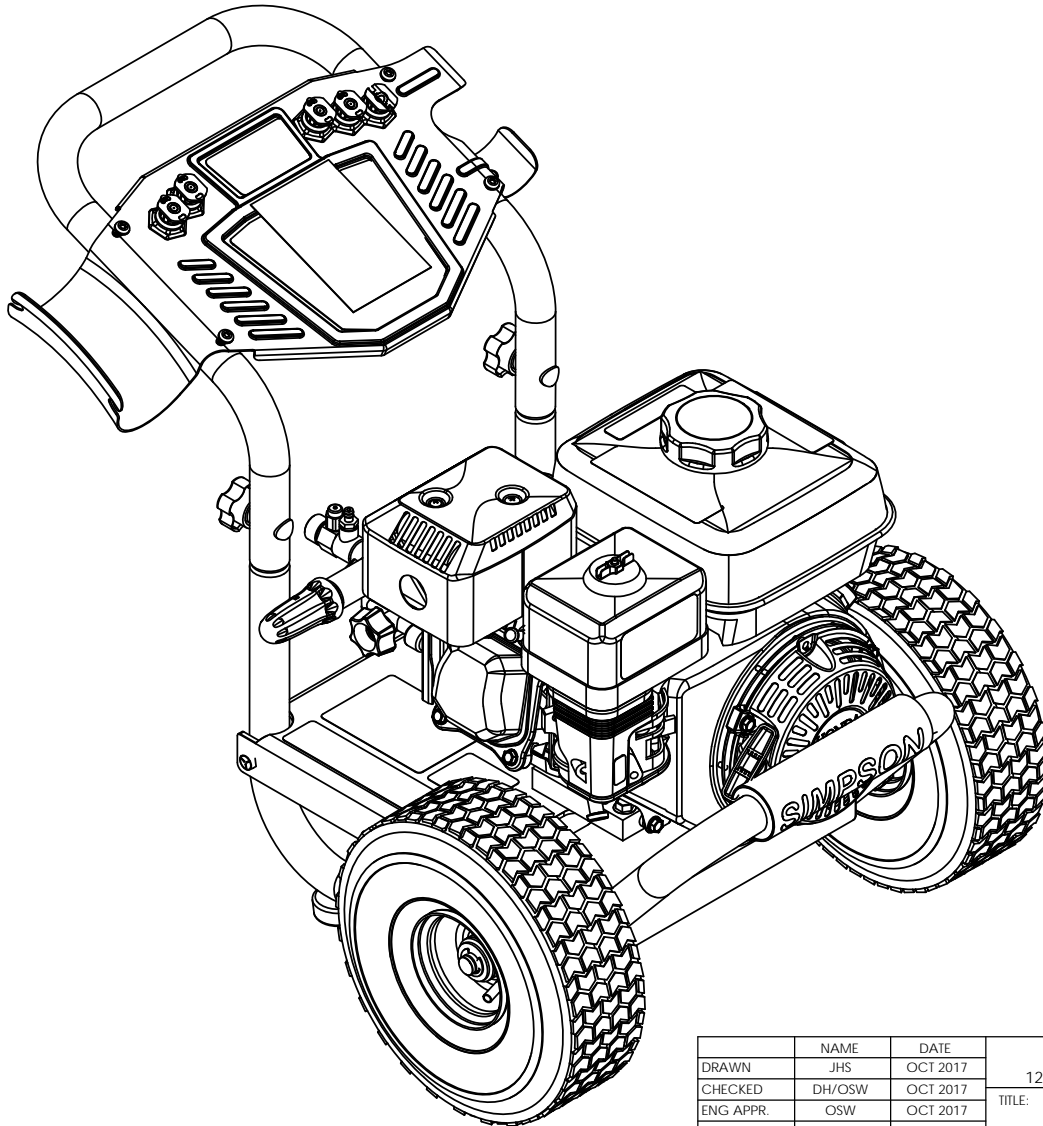


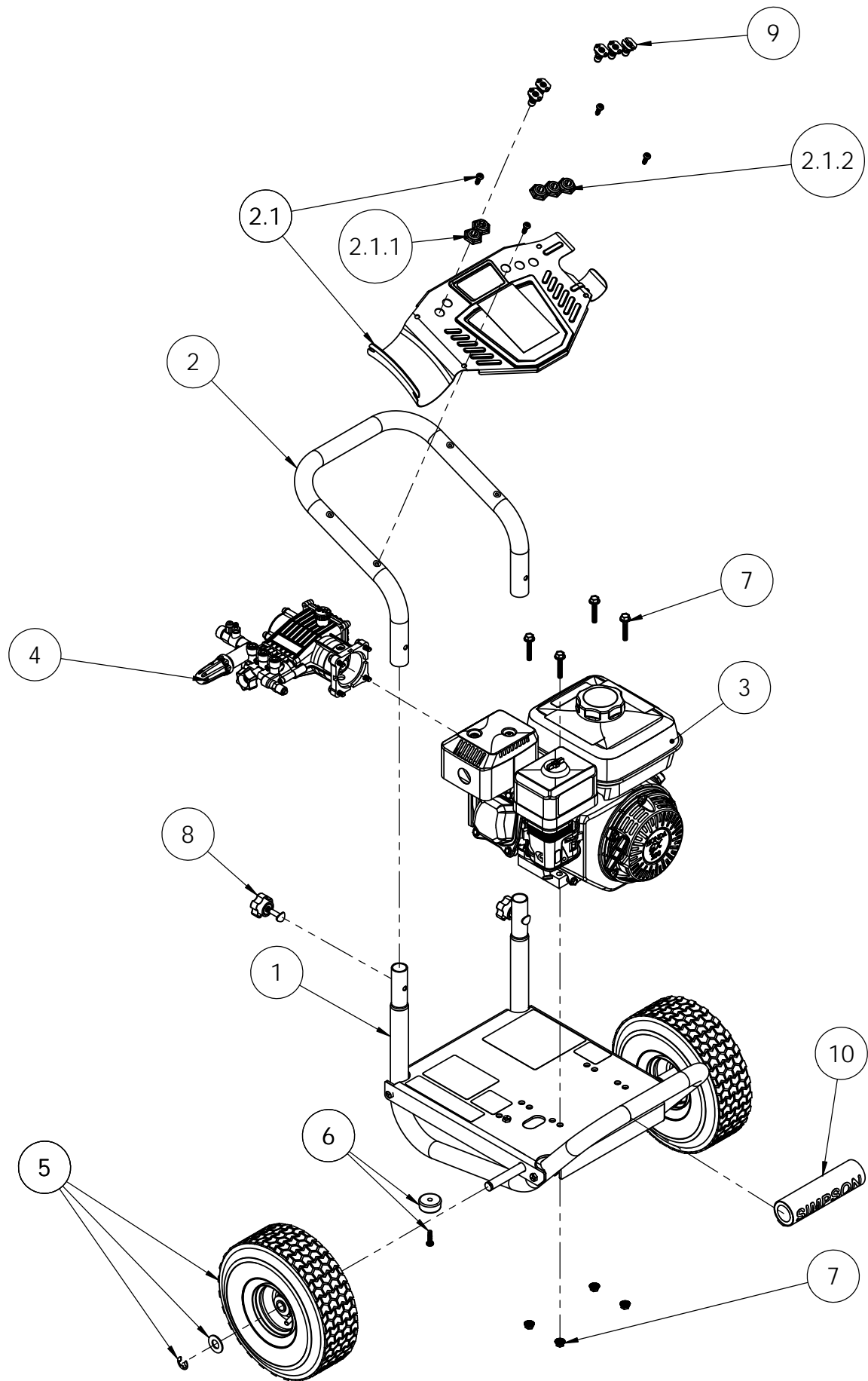
ITEM	PART NO	QTY.	DESCRIPTION
1	7107250	1	BASE FRAME, SVC ASSY W/ LABELS ALUMINUM
2	7108736	1	HANDLE, REAR SERVICE ASSEMBLY WITH LABELS
2.1	7110285	1	ALH3225 DASHBOARD KIT
2.1.1	7107067	1	HOLDER, NOZZLE 2PC RUBBER STRIP
2.1.2	7107068	1	HOLDER, NOZZLE 3PC RUBBER STRIP
3	7107269	1	ENGINE, HONDA GX200 RED/WHITE
4	7109046	1	PUMP SVC ASSY, 530008 53BRD23
5	7105013	1	WHEEL, SERVICE KIT
6	7107262	2	FOOT KIT, SERVICE KIT
7	7103750	1	MOUNTING KIT, ENGINE
8	7107941	2	KNOB-BOLT ASSEMBLY
9	7104818	1	NOZZLE, #2.80 5PCSET 0, 15, 25, 40 & SOAP
10	7106671	1	HANDLE GRIP, SIMPSON BLACK W/ WHITE LETTERING



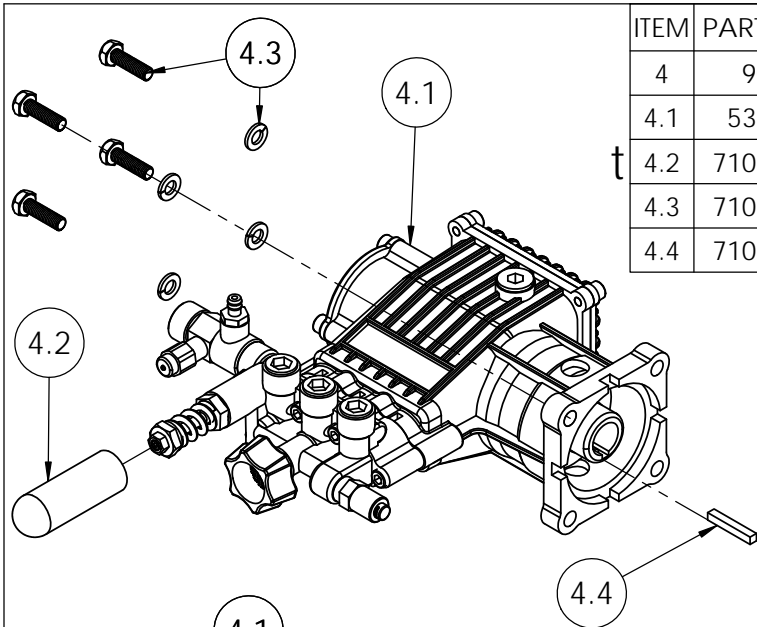
	NAME	DATE
DRAWN	JHS	OCT 2017
CHECKED	DH/OSW	OCT 2017
ENG APPR.	OSW	OCT 2017
MFG APPR.	-	-
Q.A. APPR.	-	-
SERVICE APPR.	DH	OCT 2017

PROPRIETARY AND CONFIDENTIAL
 THE INFORMATION CONTAINED IN THIS DRAWING IS THE SOLE PROPERTY OF FNA-GROUP. ANY REPRODUCTION IN PART OR AS A WHOLE WITHOUT THE WRITTEN PERMISSION OF FNA-GROUP IS PROHIBITED.

FNA-GROUP		
1265 INDUSTRIAL STREET, DECATUR, AR 72722		
TITLE:		
ALH3425 SIMPSON 3400PSI @ 2.5GPM		
SIZE	DWG. NO.	REV.
A	60768-S	B
SCALE:	N/A	EC17-0314
		SHEET 1 OF 3



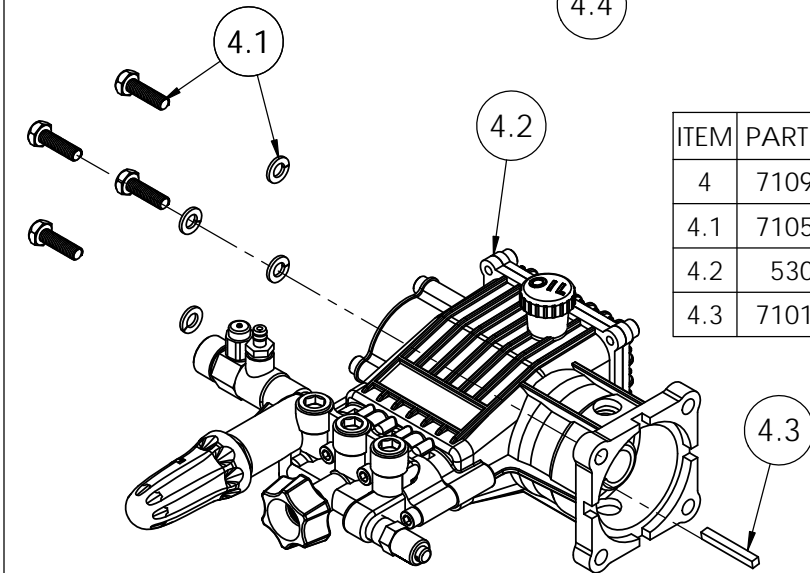
SIZE	DWG. NO.	REV.
A	60768-S	B
SCALE: N/A	ECN# EC17-0314	SHEET 2 OF 3



ITEM	PART NO	QTY.	DESCRIPTION
4	90037	1	PUMP, SERVICE ASSEMBLY
4.1	530011	1	PUMP, 3400PSI @ 2.3GPM HORIZONTAL-TRIPLEX
t 4.2	7104122	1	CAP, UNLOADER COVER 1 1/2" x 5/8" BLACK
4.3	7105474	1	HARDWARE KIT, PUMP MOUNTING
4.4	7104174	1	KEY, SHAFT 3/16" x 3/16" x 1 1/4"

t NOT SOLD SEPARATELY

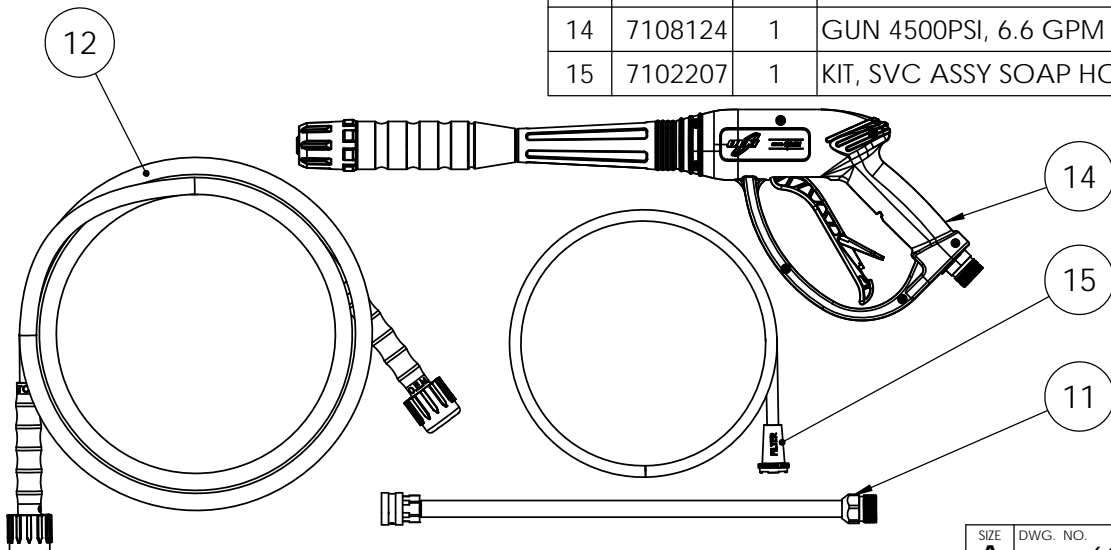
PUMP SERVICE ASSY, 530011
 P/N 90037
 S/N 0000000000-0216927781



ITEM	PART NO	QTY.	DESCRIPTION
4	7109046	1	PUMP SVC ASSY, 530008 53BRD23
4.1	7105474	1	HARDWARE KIT, PUMP MOUNTING
4.2	530008	1	C31 SERIES PUMP, 3400PSI @ 2.3 GPM HORIZ
4.3	7101506	1	KEY, SHAFT 3/16 X 3/16 X 1-1/2

PUMP SERVICE ASSY, 530008
 P/N 7109046
 S/N 0216927782-PRESENT

ITEM	PART NO	QTY.	DESCRIPTION
11	7103550	1	LANCE, 16" W/ 1/4 QC AND M22(M)
12	7107184	1	HOSE 5/16" X 35' X 3700PSI MORFLEX M22
* 13	7102045	1	TOOL, NOZZLE CLEANING, UNIVERSAL
14	7108124	1	GUN 4500PSI, 6.6 GPM M22(M) x M22(F) OEM
15	7102207	1	KIT, SVC ASSY SOAP HOSE W/PLASTIC FILTER



* NOT SHOWN