

ITEM	PART NO	DESCRIPTION	QTY.
1	7106787	FRAME, AL ASSEMBLY WITH LABELS	1
†	1.1	PLATE, VERTICAL BASE FRAME, AL	1
†	1.2	BASE TUBE, VERTICAL FRAME, AL	1
†	1.3	BRACKET, AXLE STUB, DCA VERTICAL	2
†	1.4	WASHER, SADDLE 5/16	4
†	1.5	BOLT, 5/16-18 X 2	6
†	1.6	NUT, 5/16-18	6
2	7106791	HANDLE SERVICE KIT, ALV2623 WITH LABEL	1
†	2.1	TUBE, HANDLE BENT AL	1
†	2.2	7106859 BONNET/DASHBOARD SERVICE ASSEMBLY	1
†	2.3	GUN HOLDER, 43° RIGHT SIDE VERTICAL FRAME	1
†	2.4	SCREW, 1/4-20	2
†	2.5	SCREW, 1/4-20	2
†	2.6	NUT, 1/4"-20 NYLOCK	4
3	7106849	ENGINE, SERVICE ASSEMBLY	1
4	7102039	KEY, SHAFT 3/16SQ X 1	1
¶	5	7106797 PUMP, SERVICE ASSEMBLY	1
†	5.1	510001 PUMP, OEM 2400PSI @2.0GPM	1
†	5.2	CAP, UNLOADER COVER	1
†	5.3	NUT, WHIZ 5/16-18	2
†	5.4	BOLT, 5/16"-18 x 3" FLANGE	1
†	5.5	BOLT, FLANGE, 5/16-18	3
6	7106790	WHEEL KIT, 12 X 2	2
†	6.1	WHEEL AND TIRE, 12 X 2	1
†	6.2	AXLE STUB, .525 X 3.484, ROUND HEAD	1
†	6.3	WASHER, 1/2 FLAT ZINC PLATED	1
†	6.4	CLIP, E-CLIP	1
7	7105468	FOOT SERVICE KIT, RUBBER FOOT AND SCREW	2
†	7.1	FOOT, RUBBER 1.50 OD	1
†	7.2	SCREW, 1/4-20 TORX PANHEAD	1
8	7104570	HARDWARE KIT, HANDLE MOUNTING	2
†	8.1	BOLT, SADDLE 5/16-18 X 2.00"	1
†	8.2	NUT, HAND TIGHT 5/16-18	1
9	7106789	HARDWARE KIT, ENGINE/PUMP MOUNT	1
†	9.1	BOLT FLANGE, 5/16-18	2
†	9.2	BOLT FLANGE, 5/16-18	1
†	9.3	NUT, WHIZ 5/16-18	3
10	7104818	NOZZLE SET, 2.8 5 PC SET	1
11	7103728	GROMMET, .438 BORE X .250	1
12	7104847	GUN, 3000PSI, M22(M) M22(F)	1
13	7103550	LANCE, 16IN WITH 1/4QC AND M22(M)	1
14	7106419	HOSE, MOREFLEX 1/4 X 25' M22 X M22	1
15	7101682	SOAP HOSE 1/4 X 51"	1
*	16	7102045 TOOL, NOZZLE CLEANING, UNIVERSAL	1
*	17	7106481 MANUAL OPERATOR'S ALV2623 SPECIFIC	1
*	18	7106480 BOX, SHIPPING ALV2623 SPECIFIC	1

* NOT SHOWN

† NOT SOLD SEPARATELY

PUMP IDENTIFICATION TABLE

MACHINE SERIAL NO.	PUMP MODEL	PUMP PART NO.	PUMP KIT
615230 TO PRESENT	OEM, 2400-2.0	510001	7106797

ONLY THE LATEST VERSION OF THE PUMP IS AVAILABLE FOR REPLACEMENT

	NAME	DATE
DRAWN	MAV	5/15/2013
CHECKED	M.G.	5/21/2013
ENG APPR.	JEW	5/21/2013
MFG APPR.		
Q.A. APPR.	JEP	5/21/2013
SERVICE APPR.	D.H.	5/20/2013

FNA-GROUP

1265 INDUSTRIAL STREET, DECATUR, AR 72722

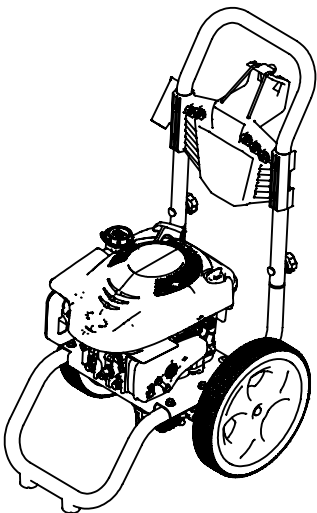
TITLE:

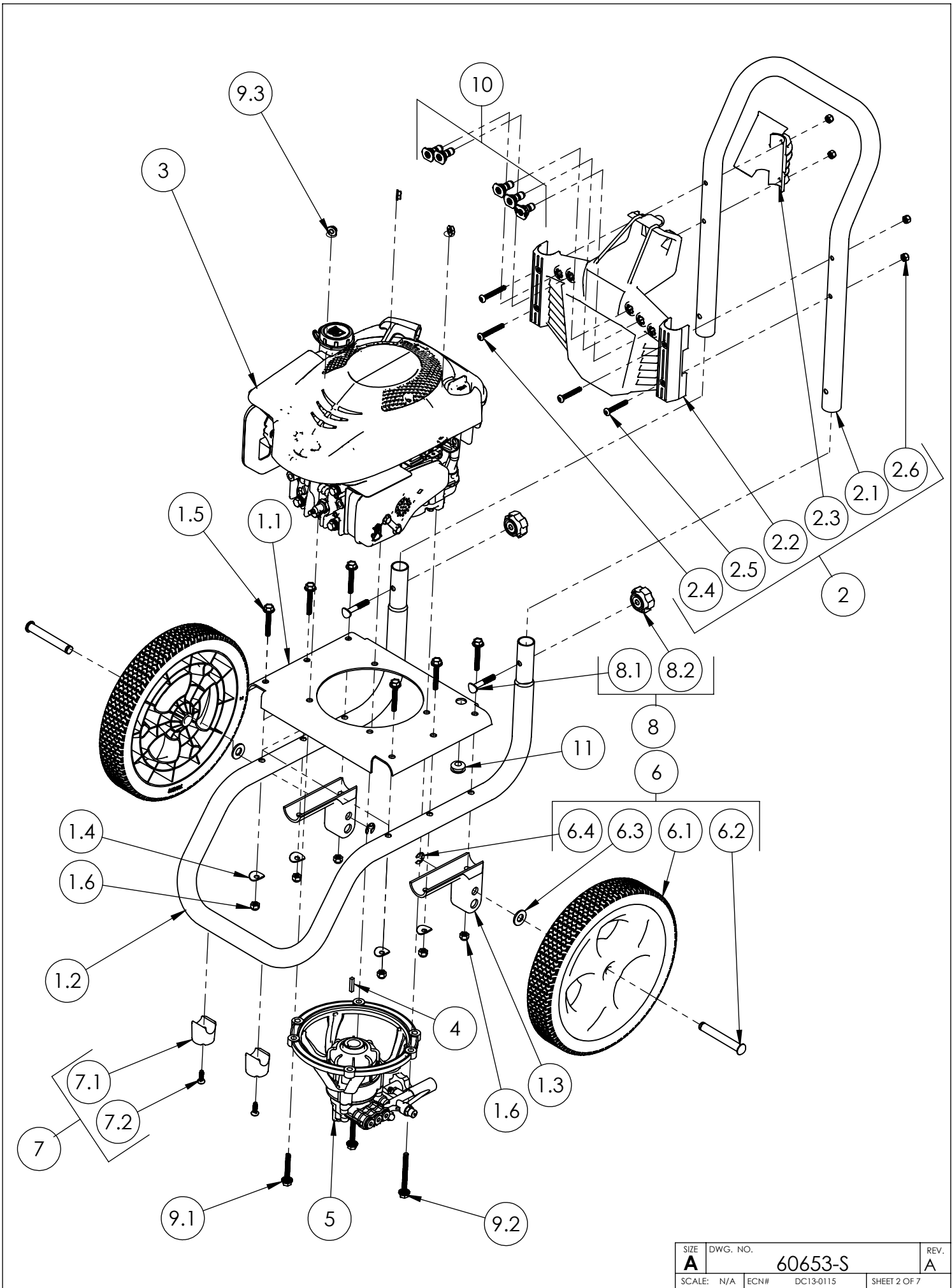
ALV2623

PROPRIETARY AND CONFIDENTIAL

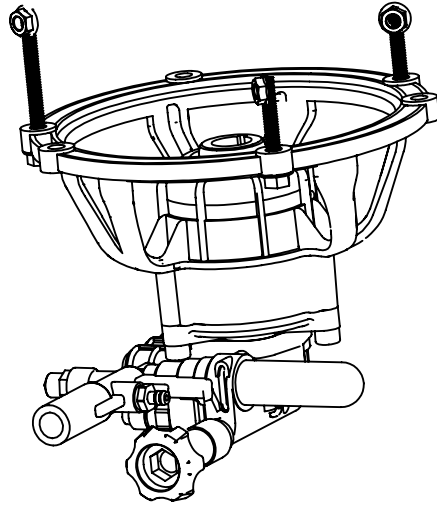
THE INFORMATION CONTAINED IN THIS DRAWING IS THE SOLE PROPERTY OF FNA-GROUP. ANY REPRODUCTION IN PART OR AS A WHOLE WITHOUT THE WRITTEN PERMISSION OF FNA-GROUP IS PROHIBITED.

SIZE	DWG. NO.	REV.
A	60653-S	A
SCALE: N/A	ECN# DC13-0115	SHEET 1 OF 7

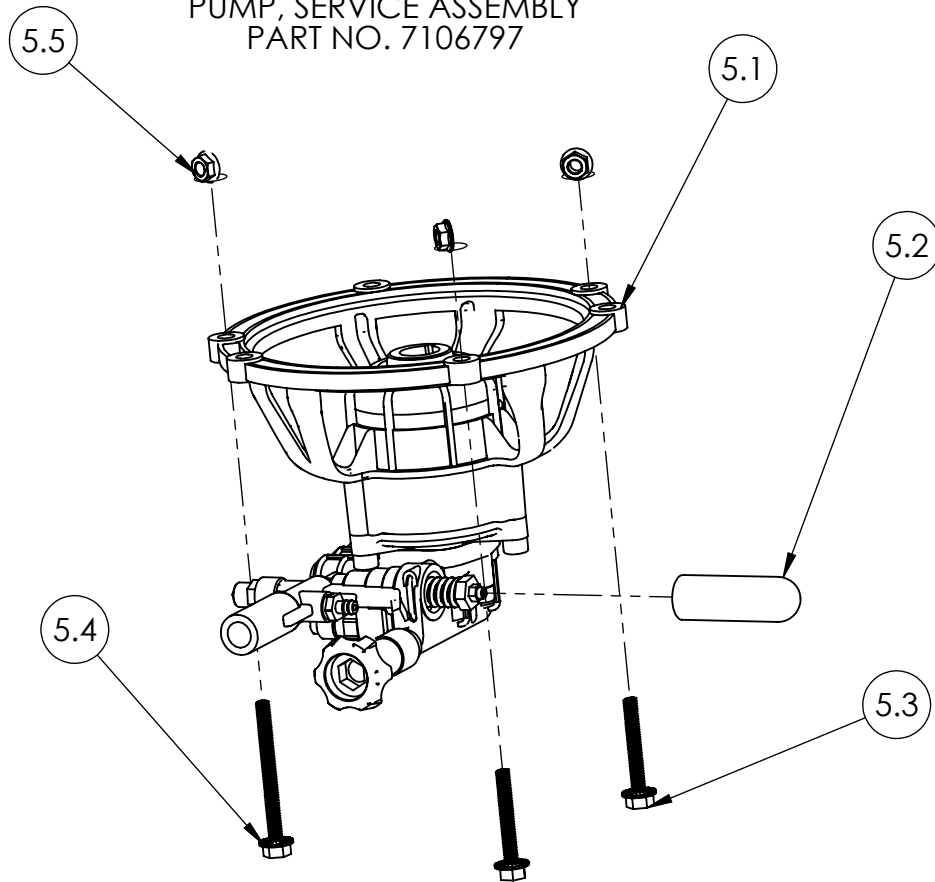




SIZE	DWG. NO.	REV.
A	60653-S	A
SCALE: N/A	ECN# DC13-0115	SHEET 2 OF 7

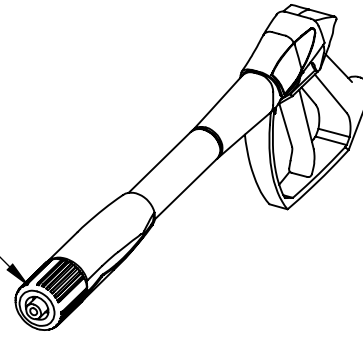


PUMP, SERVICE ASSEMBLY
PART NO. 7106797



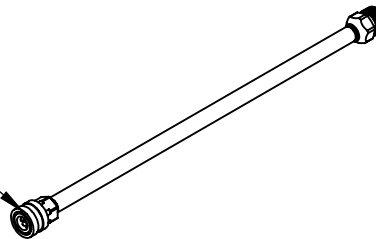
ITEM	PART NO	DESCRIPTION	QTY.
5.1	510001	PUMP, OEM 2400PSI @2.0GPM	1
5.2	7104122	CAP, UNLOADER COVER	1
5.3	7102158	NUT, WHIZ 5/16-18	2
5.4	7106529	BOLT, 5/16"-18 x 3" FLANGE	1
5.5	7103550	BOLT, FLANGE, 5/16-18	3

12



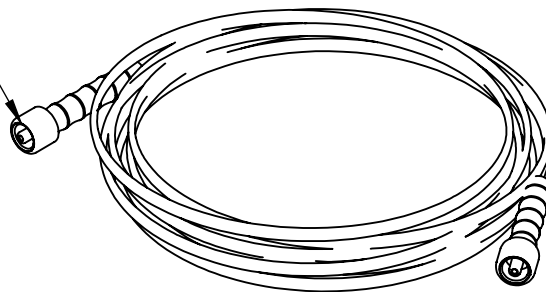
GUN, 3000PSI M22(F) M22(F)
PART NO. 7104847

13



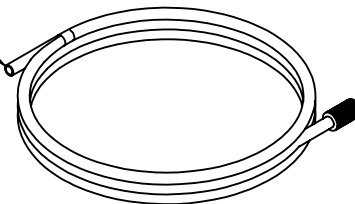
LANCE, 16", 1/4 QC M(22)
PART NO. 7103550

14



HOSE, MOREFLEX 2700PSI, 1/4 X 25'
PART NO. 7106419

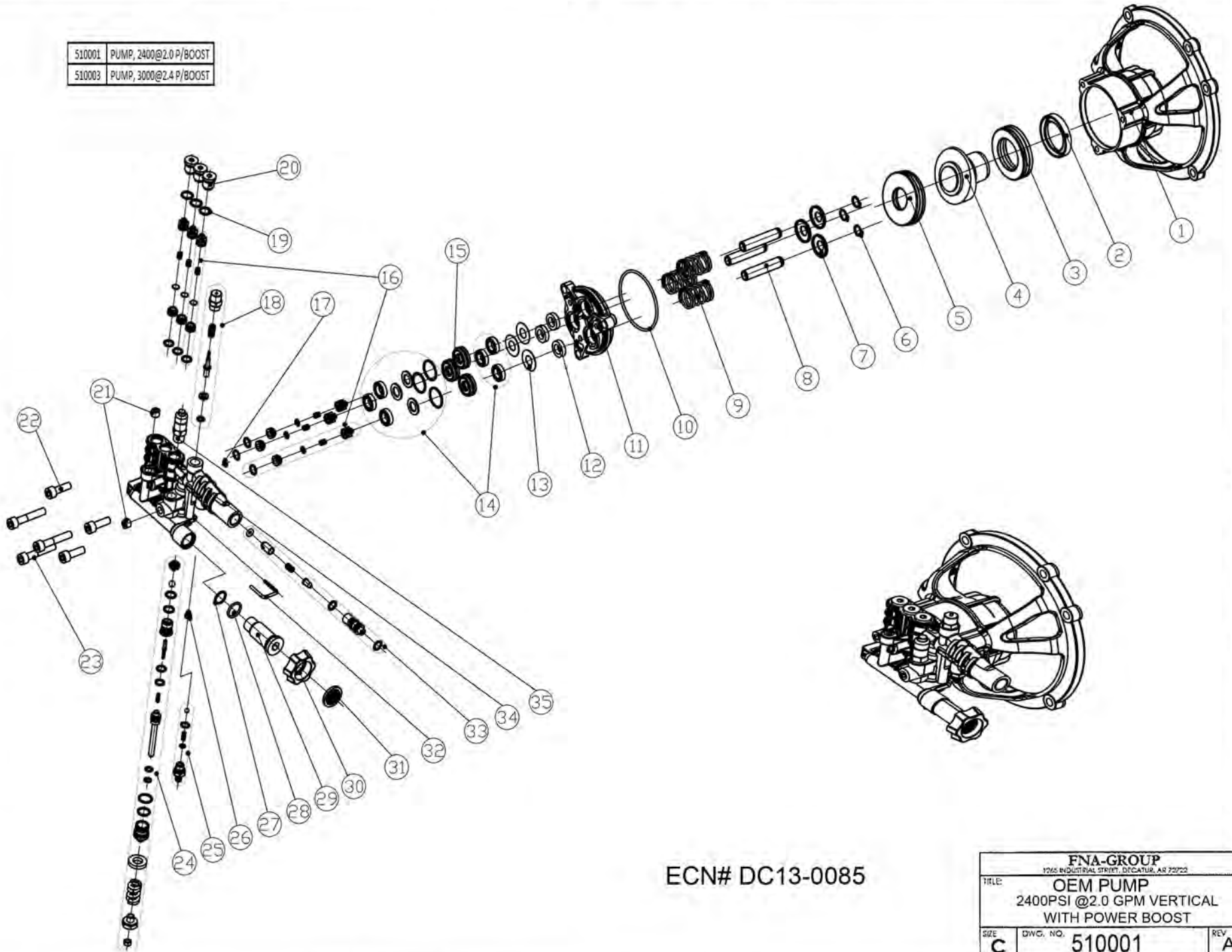
15



SOAP HOSE AND FILTER KIT
PART NO. 7102037

SIZE	DWG. NO.	REV.
A	60653-S	A
SCALE: N/A	ECN#	DC13-0115
SHEET 4 OF 7		

510001	PUMP, 2400@2.0 P/BOOST
510003	PUMP, 3000@2.4 P/BOOST



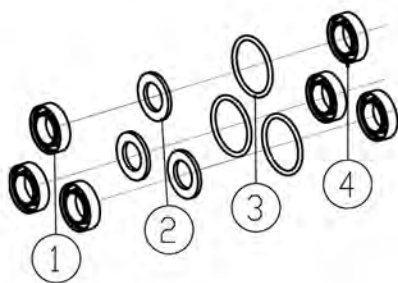
ECN# DC13-0085

FNA-GROUP			
<small>1065 INDUSTRIAL STREET, DECATUR, AR 72722</small>			
TITLE:		OEM PUMP	
		2400PSI @2.0 GPM VERTICAL	
		WITH POWER BOOST	
SIZE	DWG. NO.	REV	
C	510001	A	
WEIGHT:		SCALE: 1:1	SHEET 1 OF 3



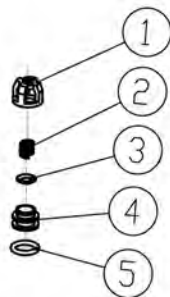
12 PART NO. 7106662

OIL SEAL KIT		
ITEM	QTY	DESCRIPTION
1	3	SEAL, OIL



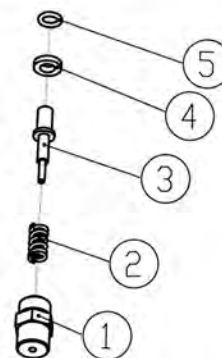
14 PART NO. 7106664

WATER SEAL KIT		
ITEM	QTY	DESCRIPTION
1	3	HIGH PRESSURE SEAL
2	3	BACK RING
3	3	O-RING
4	3	LOW PRESSURE SEAL



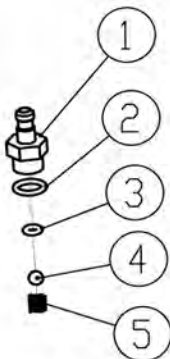
16 PART NO. 7104223

VALVE KIT		
ITEM	QTY	DESCRIPTION
1	6	VALVE CASE
2	6	SPRING
3	6	VALVE PLATE
4	6	VALVE SEAT
5	6	O-RING



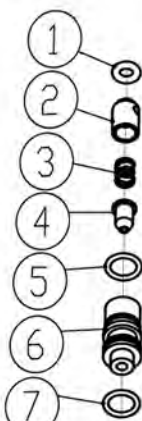
18 PART NO. 7106628

BOOST VALVE KIT		
ITEM	QTY	DESCRIPTION
1	1	VALVE CASE
2	1	VALVE SPRING
3	1	VALVE POLE
4	1	VALVE PLATE
5	1	O-RING



25 PART NO. 7104228

SOAP INJECTOR KIT		
ITEM	QTY	DESCRIPTION
1	1	HOSE BARB
2	1	O-RING
3	1	O-RING
4	1	STEEL BALL
5	1	SPRING

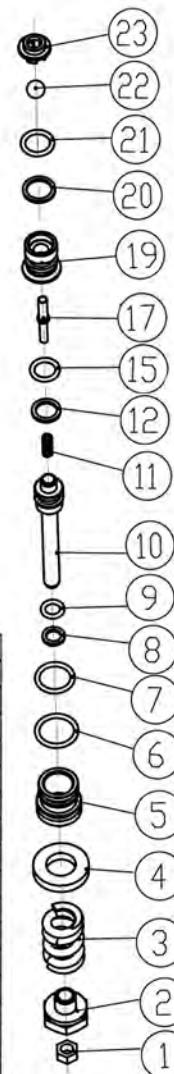


33 PART NO. 7106630

VENTURI TUBE KIT		
ITEM	QTY	DESCRIPTION
1	1	O-RING
2	1	CHECK VALVE CORE
3	1	CHECK VALVE SPRING
4	1	NOZZLE
5	1	O-RING
6	1	VENTURI TUBE
7	1	O-RING

24 PART NO. 7104226

UNLOADER KIT		
ITEM	QTY	DESCRIPTION
1	1	NUT
2	1	ADJUSTING NUT
3	1	SPRING
4	1	SEATING RING
5	1	VALVE SHEATH
6	1	O-RING
7	1	O-RING
8	1	CHECKING RING
9	1	O-RING
10	1	VALVE POLE
11	1	SPRING
12	1	CHECKING RING
15	1	O-RING
17	1	PIN
19	1	UPPER SEAT
20	1	CHECKING RING
21	1	O-RING
22	1	STEEL BALL
23	1	BACK SEAT



ECN# DC13-0085

FNA-GROUP 1065 INDUSTRIAL STREET, DECATUR, AR 72722		
TITLE: OEM PUMP 2400PSI @2.0 GPM VERTICAL WITH POWER BOOST		
SIZE: C	DWG. NO. 510001	REV A
WEIGHT:	SCALE: 1:1	SHEET: 2 OF 3

510001 PUMP DRAWING PARTS LIST

ITEM	MAS500	PARTS NAME	QTY PER PUMP	COMMENT
1	7106631	Case	1	
2	7106632	Oil Seal	1	
3	7106633	Thrusting Bearing 2	1	
4	7106634	Wobble Plate	1	
5	7106635	Thrusting Bearing 1	1	
6	7106629	Clip	3	
7	7106657	Spring Base	3	
8	7106658	Plunger	3	
9	7106639	Spring, Plunger	3	
10	7106640	O-Ring, Plunger Base	1	
11	7106661	Base, Plunger	1	
12	7106662	Oil Seal	3	Oil Seal Kit
13	7106663	Back ring	3	
14	7106664	High Pressure Water Seal	3	Water Seal Kit
		Back Ring		
		O-Ring		
		Low Pressure Water Seal		
15	7106665	Back Ring	3	
16	7104223	Valve Case	6	Valve Kit (INLET AND OUTLET)
		Spring		
		Valve Plate		
		Valve Seat		
17	7106644	O-Ring	1	
18	7106628	Boost Valve Case	1	Boost Valve Kit
		Boost Valve Spring		
		Boost Valve Pole		
		Boost Valve Plate		
		O-Ring		
19	7106645	O-Ring	3	
20	7106646	Plug	3	
21	7106647	Plug	2	
22	7106648	Screw	3	
23	7106649	Screw	3	

510001 PUMP DRAWING PARTS LIST

ITEM	MAS500	PARTS NAME	QTY PER PUMP	COMMENT
24	7104226	Nut	1	Unloader Kit
		Adjusting Nut		
		Spring		
		Seating Ring		
		Valve Sheath		
		O-Ring		
		O-Ring		
		Checking Ring		
		O-Ring		
		Valve Pole		
		Spring		
		Checking Ring		
		O-Ring		
		Pin		
		Upper Seat		
		Checking Ring		
O-Ring				
Steel Ball				
Back Seat				
25	7104228	Nozzle	1	Soap Injector Kit
		O-Ring		
		O-Ring		
		Steel Ball		
		Spring		
26	7106650	Venturi Tube Back Ring	1	
27	7106651	O-Ring	1	
28	7106652	O-Ring	1	
29	7106653	Inlet Connector	1	
30	7106654	Nut	1	
31	7000123	Filter Gasket	1	
32	7106655	U-Pin	1	
33	7106630	O-Ring	1	Venturi Tube Kit
		Checking Valve Core		
		Checking Valve Spring		
		Nozzle		
		O-Ring		
		Venturi Tube		
O-Ring				
34	7106656	Pump Head	1	
35	7101359	Thermal Relief Valve	1	

ECN# DC13-0085

FNA-GROUP			
<small>1265 INDUSTRIAL STREET, DECATUR, AR 72722</small>			
TITLE:		OEM PUMP	
		2400PSI @2.0 GPM VERTICAL	
		WITH POWER BOOST	
SIZE	DWG. NO.	REV	
C	510001	A	
WEIGHT:		SCALE: 1:1	SHEET: 3 OF 3