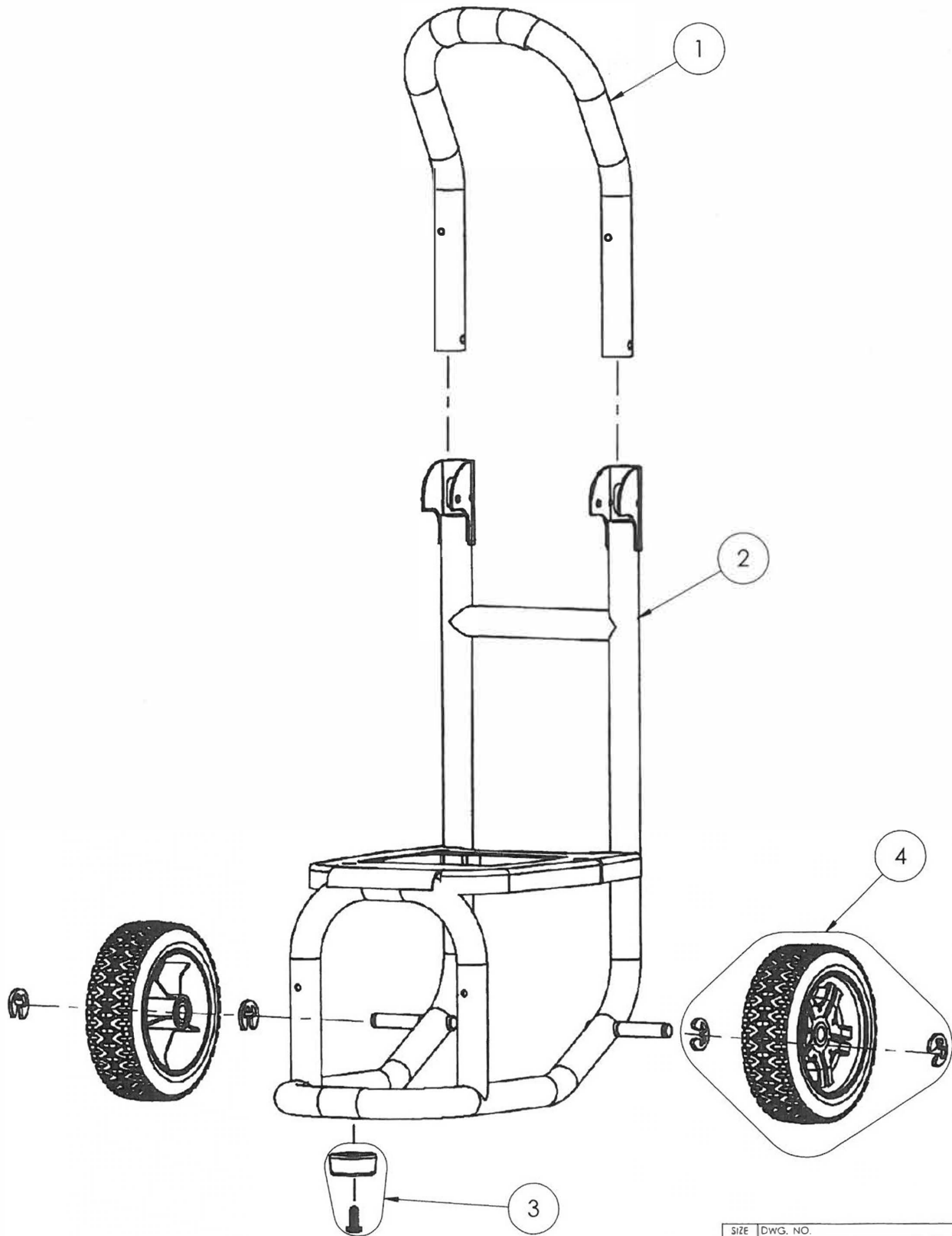
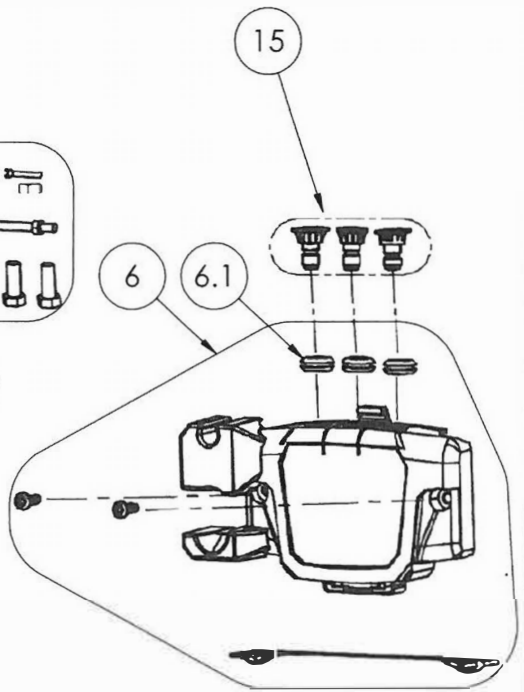
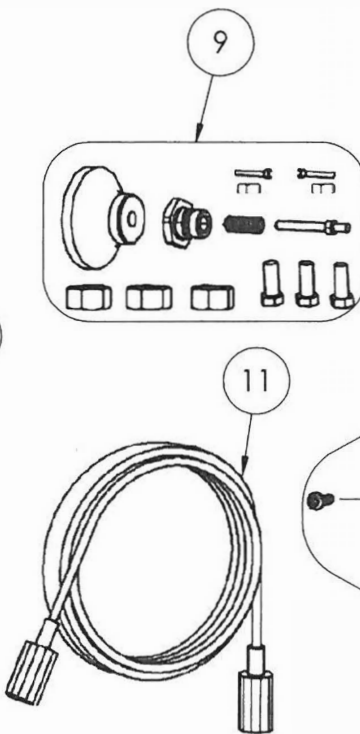
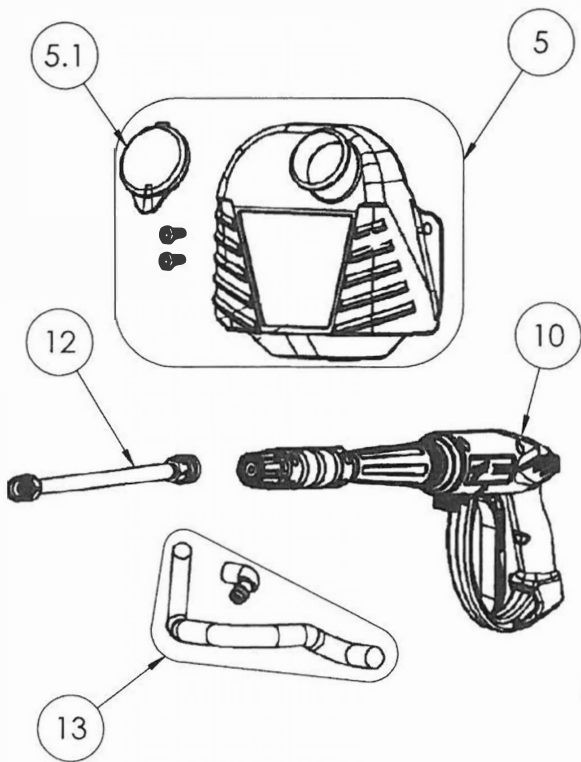
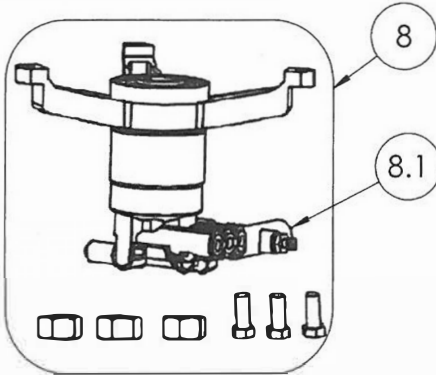
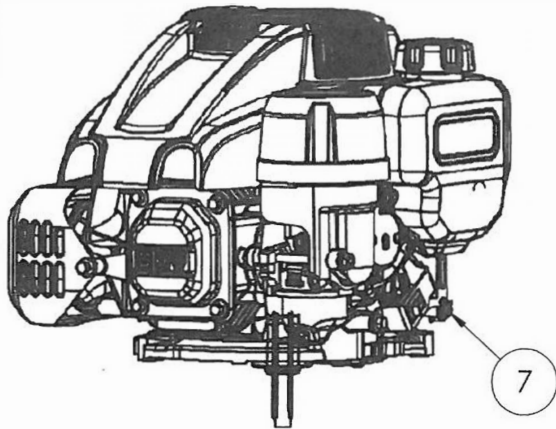


ITEM NO.	PART NO.	DESCRIPTION
1	7110469	HANDLE
2	7110484	FRAME
3	7103292	FOOT SVC ASSY
4	7110513	WHEEL KIT



SIZE A	DWG. NO. MINIPW SVC	REV. A
SCALE: N/A	SHEET 2 OF 3	



ITEM NO.	PART NO.	DESCRIPTION
5	7110514	SOAP TANK ASSY
5.1	7110515	SOAP TANK CAP W/ LABEL
6	7110516	BONNET SVC ASSY
6.1	7100389	NOZZLE HOLDER GROMMET
7	100693	ENGINE SVC ASSY
8	7110517	PUMP SVC ASSY
8.1	510022	PUMP
* 8.1.1	7101359	THERMAL RELIEF VALVE
* 8.1.2	7110166	WATER INLET KIT
* 8.1.3	7104228	SOAP INJECTOR KIT
* 8.1.4	7000123	WATER INLET SCREEN
* 8.2	7104174	KEY
9	7110518	MACHINE HARDWARE KIT
10	7107956	GUN
11	7110504	HOSE
12	7103550	LANCE
13	7110519	SOAP HOSE ASSY W/ FITTING
* 14	7102045	NOZZLE CLEANING TOOL
15	7110467	NOZZLE SET, 3PC

***NOT SHOWN**