

# SEARS

## OWNER'S MANUAL

MODEL NO.

580.751510

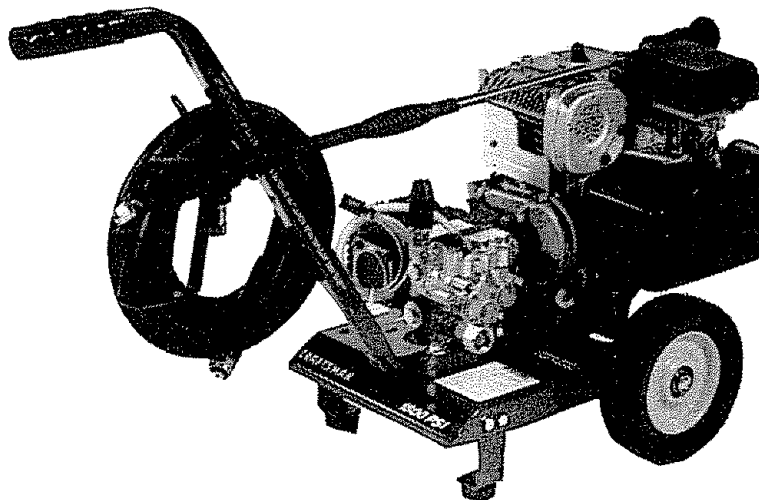
**PRESSURE WASHER  
CUSTOMER  
HELPLINE  
1-800-222-3136**

**HOURS:**

Mon. - Fri. 8 a.m. to 5 p.m.  
(CST)

**CAUTION:**

Read and Follow  
all Safety Rules  
and Instructions  
Before Operating  
This Equipment



# CRAFTSMAN®

**5 HORSEPOWER**

**1800 PSI 2.5 GPM**

**HIGH PRESSURE WASHER**

- Assembly
- Operation
- Customer Responsibilities
- Service and Adjustment
- Repair Parts

---

SEARS, ROEBUCK and CO., Hoffman Estates, IL 60179 U.S.A.

---

## SAFETY RULES



**CAUTION: ALWAYS DISCONNECT SPARK PLUG WIRE AND PLACE WIRE WHERE IT CANNOT CONTACT SPARK PLUG, TO PREVENT ACCIDENTAL STARTING WHEN SETTING UP, TRANSPORTING, ADJUSTING OR MAKING REPAIRS TO YOUR HIGH PRESSURE WASHER.**



### TRAINING:

- Engine exhaust gases contain DEADLY carbon monoxide gas. This dangerous gas, if breathed in sufficient concentrations, can cause unconsciousness or even death. Operate this equipment only in the open air where adequate ventilation is available.
- Gasoline is highly FLAMMABLE and its vapors are EXPLOSIVE. Do not permit smoking, open flames, sparks or heat in the vicinity while handling gasoline. Avoid spilling gasoline on a hot engine. Allow unit to cool for 2 minutes before refueling. Comply with all laws regulating storage and handling of gasoline.
- Locate this pressure washer in areas away from combustible materials, combustible fumes or dust.
- The high pressure equipment is designed to be used with Sears authorized parts only. If you use this equipment with parts that do not comply with minimum specifications, the user assumes all risks and liabilities.
- Some chemicals or detergents may be harmful if inhaled or ingested, causing severe nausea, fainting or poisoning. The harmful elements may cause property damage or severe injury.
- Do not allow CHILDREN to operate the Pressure Washer at any time.

### PREPARATION:

- Operate engine only at governed speed. Running the engine at excessive speeds increases the hazard of personal injury. Do not tamper with parts which may increase or decrease the governed speed.
- Do not wear loose clothing, jewelry or anything that may be caught in the starter or other rotating parts.
- Before starting the Pressure Washer in cold weather, check all parts of the equipment and be sure ice has not formed there.
- Units with broken or missing parts, or without protective housing or covers should NEVER be operated.
- The muffler and air cleaner must be installed and in good condition before operating the Pressure Washer. These components act as spark arrestors if the engine backfires.
- Check the fuel system for leaks or signs of deterioration such as chafed or spongy hose, loose or missing clamps or damaged tank or cap. Correct all defects before operating the Pressure Washer.

### OPERATION:

- Do not spray flammable liquids.
- Never aim the gun at people, animals or plants.
- Never allow any part of the body to come in contact with the fluid stream. DO NOT come in contact with a fluid stream created by a leak in the high pressure hose.
- High pressure stream of fluid that this equipment can produce can pierce skin and its underlying tissues, leading to serious injury and possible amputation.
- High pressure spray can cause paint chips or other particles to become airborne and fly at high speeds.

- Always wear eye protection when you use this equipment or when you are in the vicinity where the equipment is in use.
- Operate the pressure at no more than the PSI fluid pressure rated for your pressure washer.
- Never move the machine by pulling on the high pressure hose. Use the handle provided on the top of the unit.
- Always be certain the spray gun, nozzles and accessories are correctly attached.
- Never use a spray gun which does not have a trigger lock or trigger guard in place and in working order.
- Use a respirator or mask whenever there is a chance that vapors may be inhaled. Read all instructions with the mask so you are certain the mask will provide the necessary protection against inhaling harmful vapors.
- High pressure spray may damage fragile items including glass. Do not point spray gun at glass when in the jet spray mode.
- Keep the hose connected to machine or the spray gun while the system is pressurized. Disconnecting the hose while the unit is pressurized is dangerous.
- Hold the spray gun firmly in your hand before you start the unit. Failure to do so could result in an injury from a whipping spray gun. Do not leave the spray gun unattended while the machine is running.
- The cleaning area should have adequate slopes and drainage to reduce the possibility of a fall due to slippery surfaces.
- Keep water spray away from electric wiring or fatal electric shock may result.
- Do not adjust unloader valve to a pressure in excess of machine rating.
- Do not secure trigger gun in the pull-back (open) position.
- Do not by-pass any safety device on this machine.
- Do not leave trigger closed for more than 5 minutes with engine running. This could damage the pump.
- The muffler and engine heat up during operation and remain hot immediately after shutting it down. Avoid contact with a hot muffler or engine or you could be severely burned.

### MAINTENANCE AND STORAGE:

- Operate and store this unit on a stable surface.
- High pressure hose can develop leaks from wear, kinking, abuse, etc. Water spraying from a leak is capable of injecting material into skin. Inspect hose each time before using it. Check all hoses for cuts, leaks, abrasions or bulging of cover, or damage or movement of couplings. If any of these conditions exist, replace hose immediately. Never repair high pressure hose. Replace it with another hose that meets minimum pressure rating of your pressure washer.



**LOOK FOR THIS SYMBOL TO POINT OUT IMPORTANT SAFETY PRECAUTIONS. IT MEANS "ATTENTION!!! BECOME ALERT!!! YOUR SAFETY IS INVOLVED."**

CONGRATULATIONS on your purchase of a Sears Craftsman high pressure washer. It has been designed, engineered and manufactured to give you the best possible dependability and performance.

Should you experience any problem you cannot easily remedy, please contact your nearest Sears Service Center/Department or call the 1-800 number listed on the front of this manual. We have competent, well-trained technicians and the proper tools to service or repair this unit.

Please read and retain this manual. The instructions will enable you to assemble and maintain your high pressure washer properly. Always observe the "SAFETY RULES."

MODEL NUMBER	580.751510
SERIAL NUMBER	_____
DATE OF PURCHASE	_____
<p>THE MODEL AND SERIAL NUMBERS WILL BE FOUND ON A DECAL ATTACHED TO THE PRESSURE WASHER.</p> <p>YOU SHOULD RECORD BOTH SERIAL NUMBER AND DATE OF PURCHASE AND KEEP IN A SAFE PLACE FOR FUTURE REFERENCE.</p>	

**MAINTENANCE AGREEMENT**

A Sears Maintenance Agreement is available on this product. Contact your nearest Sears store for details.

**CUSTOMER RESPONSIBILITIES**

- Read and observe the safety rules.
- Follow regular schedule in maintaining, caring for and using your high pressure washer.
- Follow the instructions under "Customer Responsibilities" and "Storage" sections of this Owner's Manual.

**PRODUCT SPECIFICATIONS**

**Pressure Washer Specifications**

PUMP PRESSURE	Adjustable to 1800 psi
FLOW RATE	2.5 gpm
DETERGENT MIX	Use undiluted detergent
DETERGENT RATIO	Adjustable to 66:1
WATER SUPPLY TEMPERATURE	Not to exceed 140°F
SUCTION HEIGHT	3 FT. maximum

**Engine Specifications**

RATED HORSEPOWER	5
DISPLACEMENT	12.6 cu. inches
SPARK PLUG: Type:	Champion RCJ8 or equivalent
Set Gap To.	0.030 inch (0.76mm)
GASOLINE CAPACITY	2 U.S. quarts
OIL (20 oz. capacity)	SAE 30 weight
SOLID STATE IGNITION AIR GAP	0.0125 inch

In the State of California a spark arrestor is required by law (Section 4442 of the California Public Resources Code). Other states may have similar laws. Federal laws apply on federal lands.

**NOTE:** If you equip the engine of your pressure washer with a spark arrestor muffler, the spark arrestor must be maintained in effective working order by the owner operator.

You can order a spark arrestor through your Sears Service Center. See Repair Parts section of engine for part numbers.

# TABLE OF CONTENTS

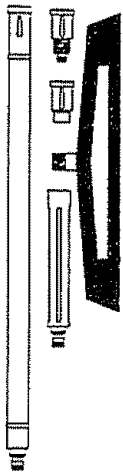
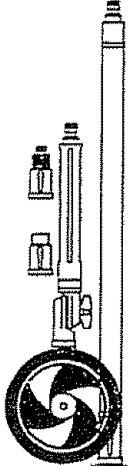




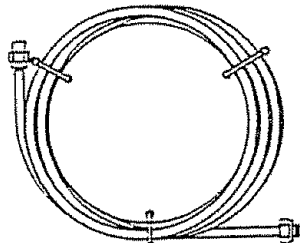
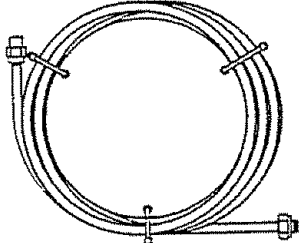
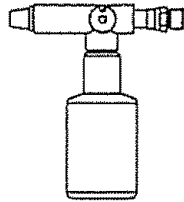


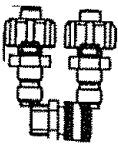



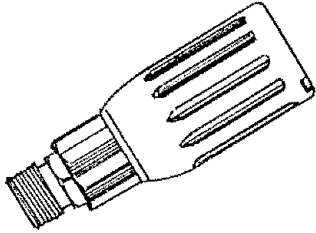
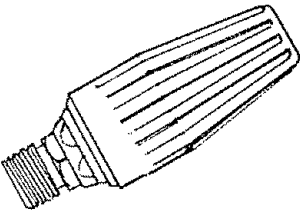
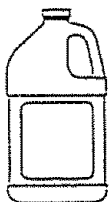
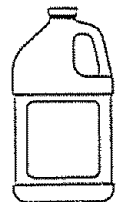
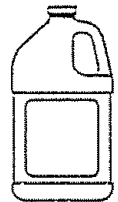
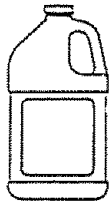
SAFETY RULES .....	2	CUSTOMER RESPONSIBILITIES .....	14-15
PRODUCT SPECIFICATIONS .....	3	SERVICE AND ADJUSTMENTS .....	16
ACCESSORIES AND ATTACHMENTS.....	5	STORAGE .....	17
CONTENTS OF HARDWARE PACK.....	6	TROUBLESHOOTING.....	18
ASSEMBLY .....	7-8	REPLACEMENT PARTS .....	19-27
OPERATION .....	9-13	WARRANTY .....	25

## INDEX

<b>- A -</b>	<b>- H -</b>	<b>- P -</b>
Accessories .....	Hardware Pack .....	Pressure Regulator .....
Air Cleaner .....	High Pressure Hose .....	
Assembly		<b>- R -</b>
Checklist .....		Replacement Parts .....
Removing from Carton .....		
Tools Required .....	<b>- M -</b>	<b>- S -</b>
Set Up .....	Maintenance	Safety Latch .....
	Agreement .....	Safety Rules .....
<b>- B -</b>	Engine .....	Service and Adjustments .....
Before Starting the Engine ..	Pressure Washer .....	Siphoning .....
	Pump .....	Specifications .....
<b>- C -</b>		Storage
Carburetor .....	<b>- N -</b>	Engine .....
Cleaning Tips .....	Nozzle, Adjustable .....	Pressure Washer Pump .....
Customer Responsibilities ..	Nozzle, Optional Turbo .....	
Changing Oil, engine .....		<b>- T -</b>
Changing Oil, pump .....		Troubleshooting .....
Checking Oil Level .....	<b>- O -</b>	
General Recommendations ..	Oil	
Pressure Washer .....	Engine .....	
Replace Spark Plug .....	Pump .....	
Service Air Cleaner .....	Operation	
	Detergent Application .....	
<b>- E -</b>	Know Your Pressure Washer ..	
Engine Speed .....	Stopping .....	
	To Start Engine .....	
<b>- G -</b>	To Turn on Washer .....	
Gun and Wand Assembly ..	Using Adjustable Nozzle .....	
	Order Parts .....	<b>- W -</b>
		Warranty .....

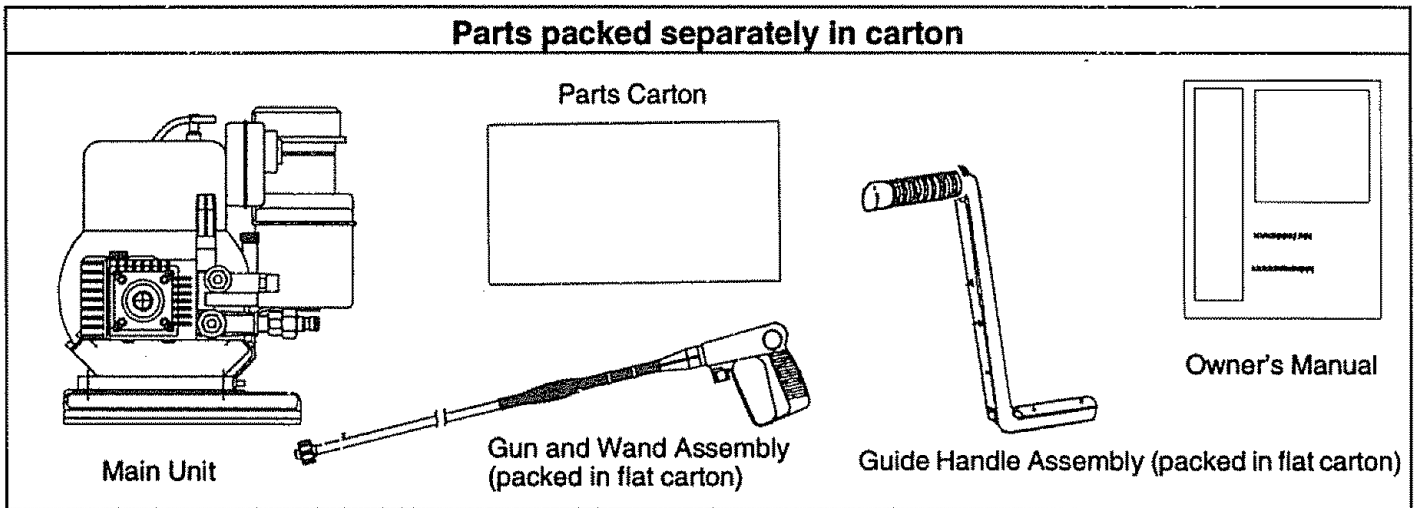
# ACCESSORIES AND ATTACHMENTS

These accessories and attachments were available when the high pressure washer was purchased. They are also available at most Sears retail outlets and service centers. Most Sears stores can order these items for you when you provide the model number of your high pressure washer. Some of these accessories may not apply to your pressure washer.

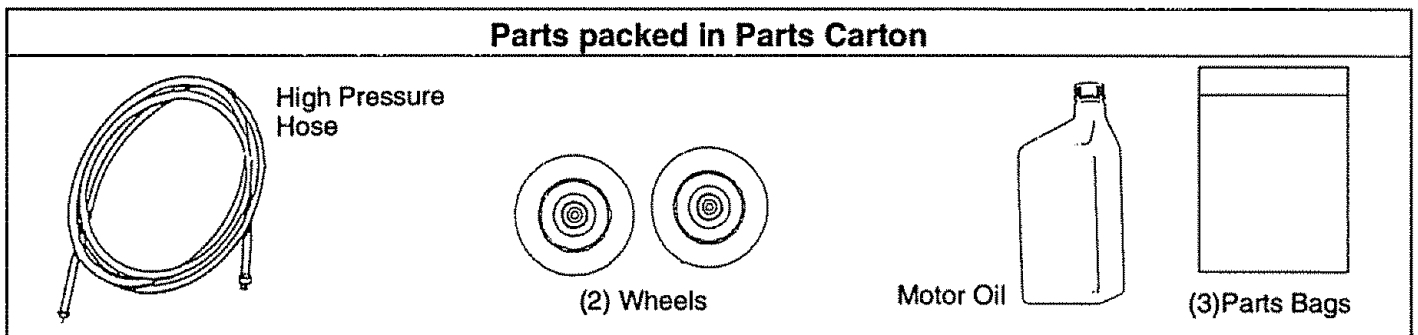
 <p>FLOOR/SIDING BRUSH KIT</p>	 <p>ROTATING BRUSH KIT</p>	 <p>UTILITY BRUSH KIT</p>	 <p>18" STAINLESS STEEL EXTENSION</p>	 <p>ELECTRIC TURBO NOZZLE</p>	 <p>ANGLE EXTENSION KIT</p>
 <p>1/4" I.D. 25 ft. EXTENSION HOSE</p>		 <p>3/8" I.D. 50 ft. EXTENSION HOSE</p>		 <p>CHEMICAL INJECTION FOAMER</p>	
 <p>HIGH PRESSURE HOSE QUICK CONNECT KIT</p>	 <p>ACCESSORY QUICK CONNECT</p>	 <p>ACCESSORY QUICK CONNECT STARTER KIT</p>	 <p>HIGH PRESSURE HOSE TO HOSE COUPLING</p>	 <p>GARDEN HOSE QUICK CONNECT WITH 2 ADAPTORS</p>	 <p>PRESSURE GAUGE</p>
 <p>TURBO NOZZLE - 1800 PSI</p>	 <p>TURBO NOZZLE 2200 and 2500 PSI</p>	    <p>MULTI-PURPOSE/HOUSE WASH    DECK WASH    VEHICLE/BOAT WASH    DEGREASER WASH</p>			

# CONTENTS OF HARDWARE PACK

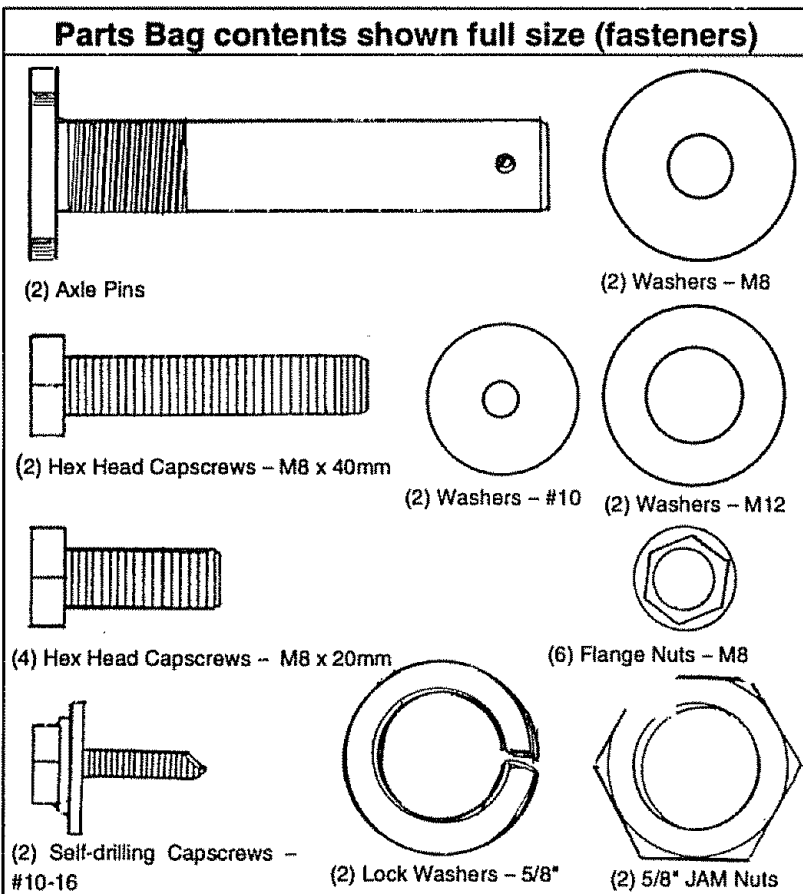
## Parts packed separately in carton



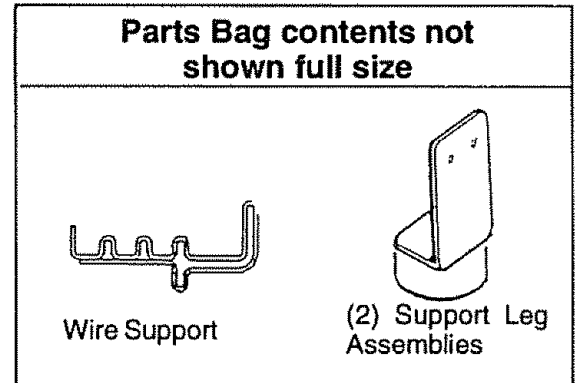
## Parts packed in Parts Carton



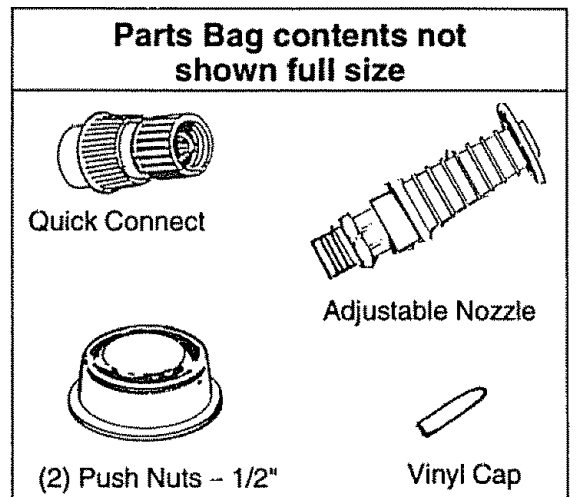
## Parts Bag contents shown full size (fasteners)



## Parts Bag contents not shown full size



## Parts Bag contents not shown full size



# ASSEMBLY

Read these instructions and Operator's Manual in its entirety before you attempt to assemble or operate your new high pressure washer. Your high pressure washer has, for the most part, been assembled at the factory, except those parts left unassembled. Before you can operate your new high pressure washer, you must assemble the wheel kit and properly connect the high pressure hose.

IF YOU HAVE ANY PROBLEMS WITH THE ASSEMBLY OF YOUR PRESSURE WASHER, PLEASE CALL THE PRESSURE WASHER HELPLINE AT 1-800-222-3136.

## TOOLS REQUIRED FOR ASSEMBLY

- Mallet
- 2 adjustable wrenches OR the following wrenches:
- 5/16" (8mm) combination wrench
- 1/2" (13mm) combination wrench
- 5/8" (16mm) combination wrench
- 11/16" (18mm) combination wrench
- 7/8" (22mm) combination wrench
- 15/16" (24mm) combination wrench

## TO REMOVE PRESSURE WASHER FROM CARTON

- Remove two boxes marked "PARTS INSIDE" and remove the parts contained in both boxes.
- Remove unit with one hand under pump and one hand under recoil starter.

Refer to Page 6, "Contents of Hardware Pack" for an illustrated listing of all the items included with your pressure washer. Become familiar with each piece before assembling the pressure washer. Check all contents against the illustrations on Page 6. If any parts are missing or damaged, call the Pressure Washer Helpline at 1-800-222-3136.

## HOW TO SET UP YOUR PRESSURE WASHER TO INSTALL THE WHEEL KIT

Installing the wheel kit requires the tools listed, the guide handle and items included in the parts carton.

- Prop up the engine end of the main unit. This will allow you to slip each axle pin into the holes provided on the side of the base (Fig. 1).

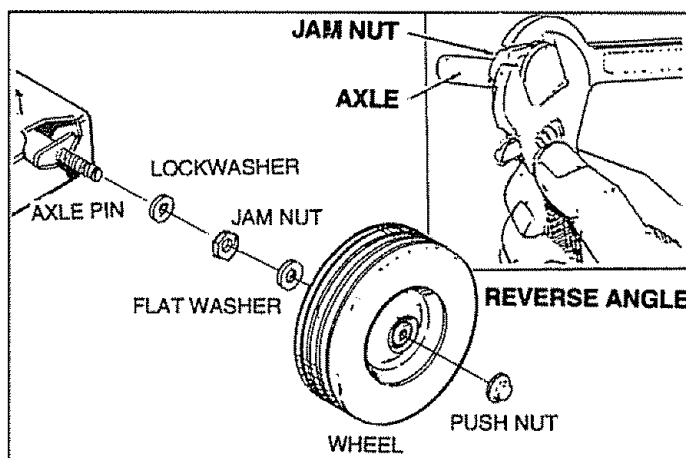


FIG. 1

- With the axle pin inserted inside the base, grip the end of the axle pin as shown with an adjustable or 15/16" combination wrench. This will keep axle from spinning as you fasten axle to the base with a 5/8" lock washer, a 5/8"-18 JAM nut, and an M12 flat washer.
- Place wheels on the axles so the rib side of hub is against mounting base.
- Retain each wheel to its axle pin by tapping a push nut onto end of axle with a mallet.
- Attach support legs to base as shown in Fig. 2 with M8 x 20mm hex head capscrews and flange lock nuts. Tighten with 13mm or 1/2-inch wrench on each fastener. Be sure legs are straight when you are finished.
- Attach the guide handle to the base as shown in Fig. 2 with two M8 x 40mm hex head capscrews, two M8 washers and two flange nuts.

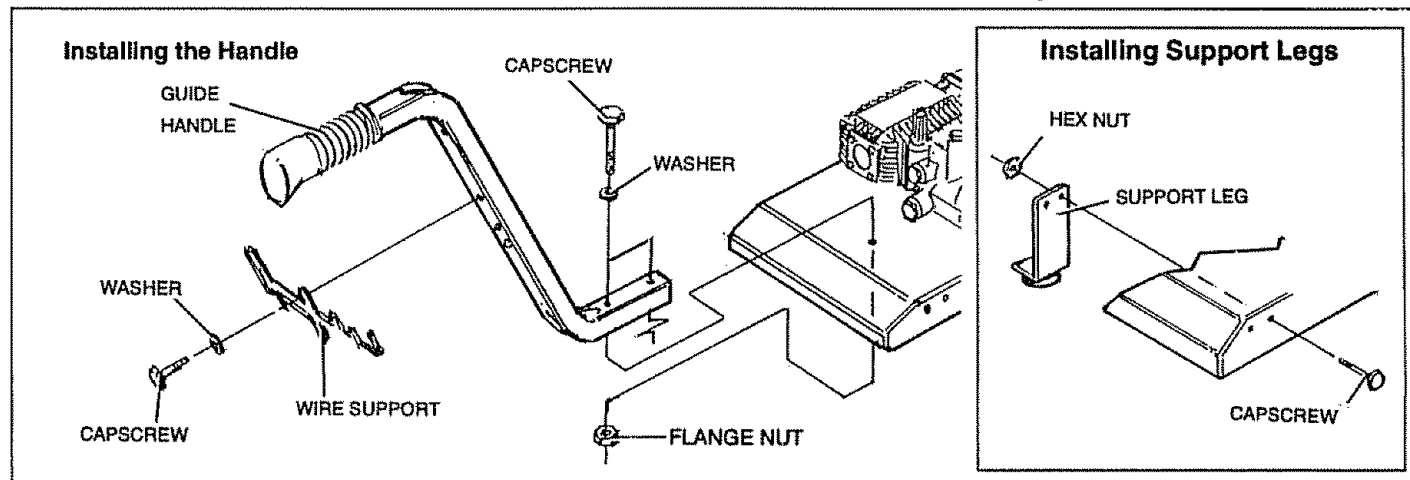


FIG. 2

# ASSEMBLY

- Using a 5/16" (8mm) wrench, attach wire support to top two holes of guide handle with #10 self-drilling screws and #10 flat washers (Fig. 3). The hose minder should be to the left and gun holder to the right. Be sure loop of support is pointing upward. Place vinyl cap onto gun holder.

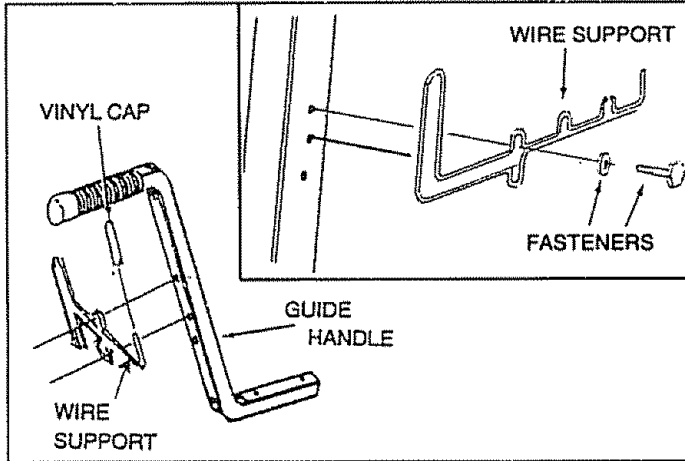


FIG. 3

## TO ASSEMBLE REMAINING COMPONENTS

**IMPORTANT: YOU MUST ASSEMBLE WAND AND ATTACH ALL HOSES BEFORE YOU START ENGINE. STARTING ENGINE WITHOUT ALL HOSES CONNECTED AND WATER SUPPLIED WILL DAMAGE PUMP.**

- Remove the red cap from the oil fill hole on the pump and insert Oil Fill Cap (Fig. 4).

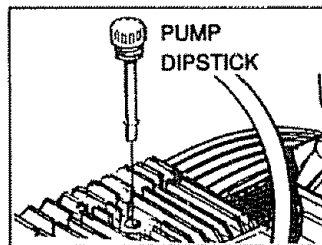


FIG. 4

- Included with this unit is a Quick-Connect fitting you attach to Water Inlet. The quick-connect includes two parts — a Male Connector factory-installed on water inlet and a Female Connector (Fig. 5). Remove male connector to inspect Intake Supply Screen in water inlet for cleanliness and inspect Inlet Screen on female

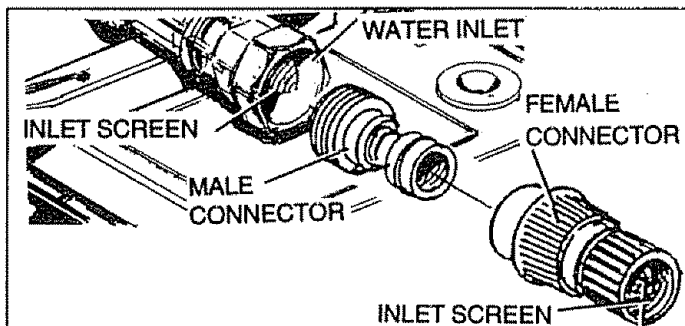


FIG. 5

connector. Reattach male connector to water inlet and attach female connector to garden hose.

- Unravel high pressure hose, remove plastic cap on end of hose and check other end of hose to see that threads are properly covered with teflon tape. If tape is not properly applied, reapply it so threads are fully covered. The tape seals the connection from hose to gun and wand assembly.
- Attach fitting with teflon tape to gun and wand assembly (Fig. 6). You may want to spin gun or spin hose to secure connection. Tighten hose using 11/16" and 7/8" wrenches.

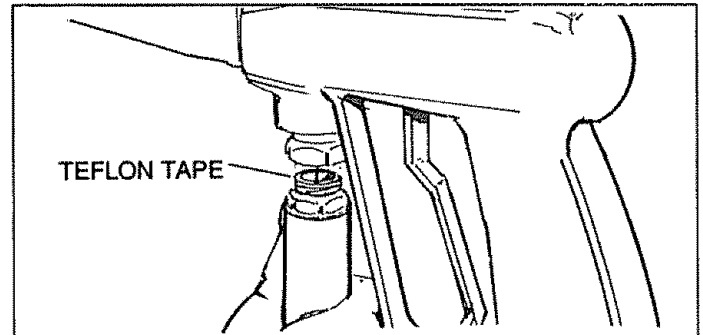


FIG. 6

- Attach the other end of the high pressure hose to high pressure fitting on pump (Fig. 7). Tighten with 15/16" (24mm) wrench.

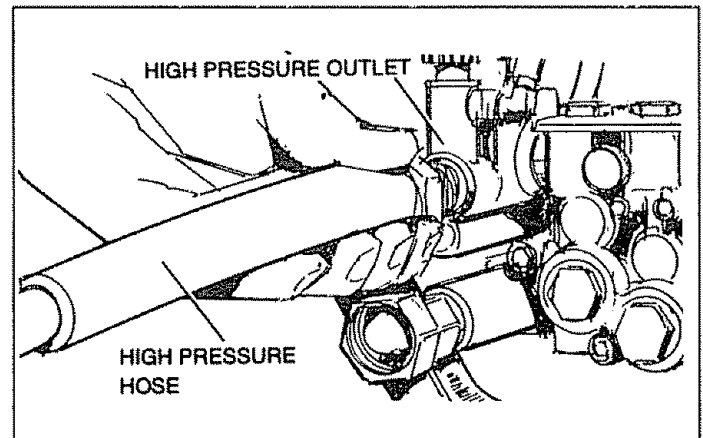


FIG. 7

- To attach the adjustable nozzle refer to Operation section, Fig. 10.

## CHECKLIST

- Check that fasteners you used to install wheel kit and handles are tight. Vibration during operation may loosen fasteners that are not tight enough.
- Check for proper hose connections (high pressure and water supply) and for tight connections and that there are no kinks, cuts, or damage to high pressure hose.
- Provide proper water supply (not to exceed 140°F).
- Be sure to read "Safety Rules" and "Operation" sections before using the pressure washer.



# OPERATION

## KNOW YOUR HIGH PRESSURE WASHER

READ THIS OWNER'S MANUAL AND SAFETY RULES BEFORE OPERATING YOUR HIGH PRESSURE WASHER. Compare the illustrations with your high pressure washer to familiarize yourself with the locations of various controls and adjustments. Save this manual for future reference.

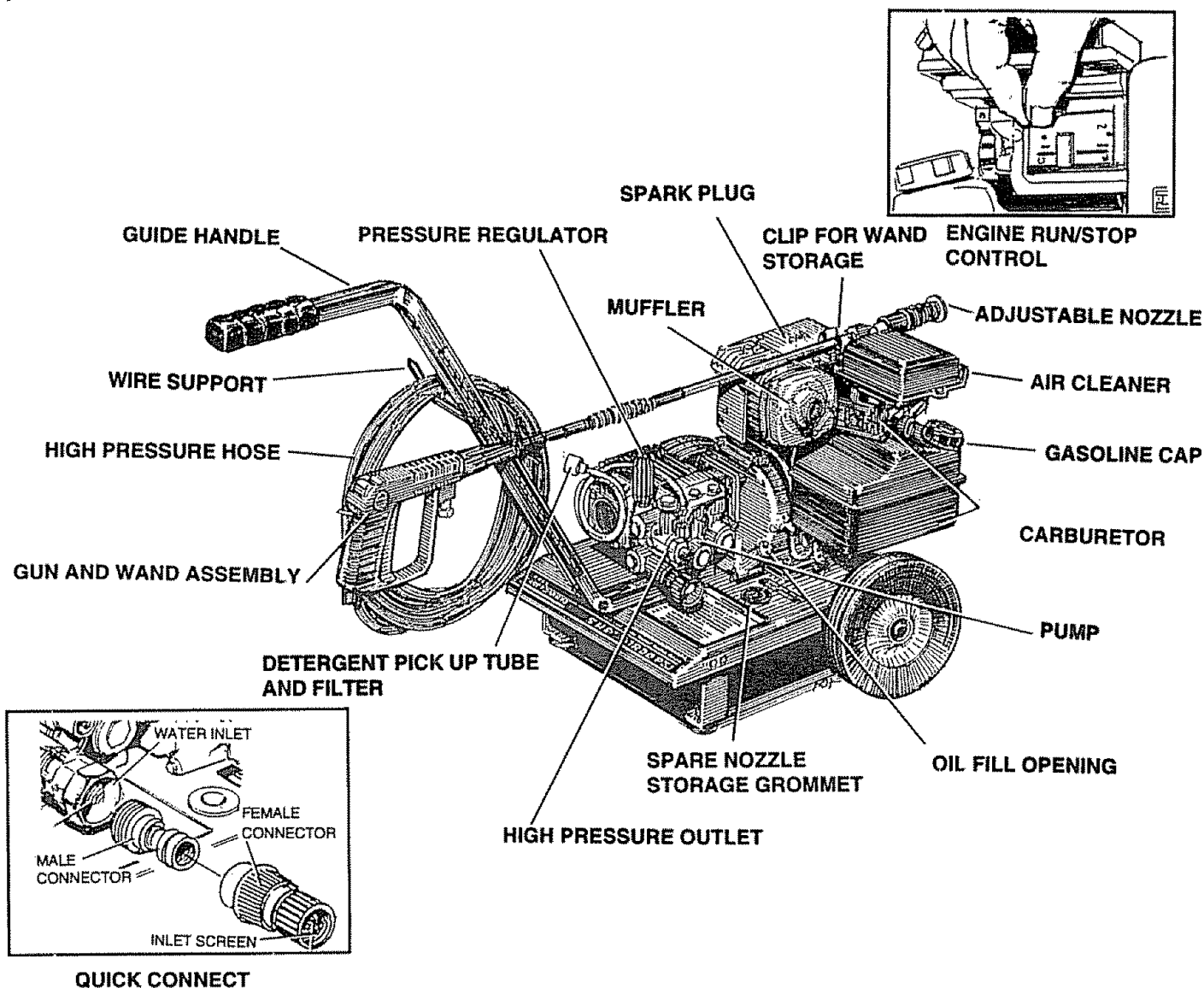


FIG. 8

**PUMP** — Develops high pressure.

**PRESSURE REGULATOR** — Allows you to adjust the pressure of the outlet stream

**ENGINE ON-OFF CONTROL** — Sets engine in starting mode for recoil starter; turns OFF running engine.

**RECOIL STARTER** — Used for starting the engine manually.

**AIR CLEANER** - Dry type filter element limits the amount of dirt and dust that gets in the engine.

**GUN AND WAND ASSEMBLY**— Controls the application of water onto cleaning surface with trigger device. Includes safety latch.

**HIGH PRESSURE HOSE** — Connect one end to water pump and other to spray wand.

**INTAKE SUPPLY FILTER** — Filters inlet water supply.

**DETERGENT PICKUP TUBE AND FILTER** — Mixes water and detergent in outlet water flow.

**HIGH PRESSURE OUTLET** — Connection for high pressure hose.

**QUICK-CONNECT** — Easy connection for intake water supply.

# OPERATION

## HOW TO USE YOUR WASHER

IF YOU HAVE ANY PROBLEMS OPERATING YOUR PRESSURE WASHER, PLEASE CALL THE PRESSURE WASHER HELPLINE AT 1-800-222-3136.

### STOPPING YOUR PRESSURE WASHER

- First, move engine throttle lever to "OFF" position (Fig. 9).

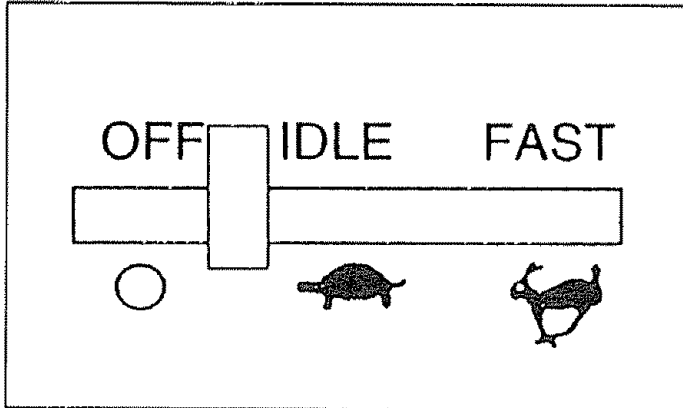


FIG. 9

- **Simply shutting OFF engine will not release pressure in the system.** Pull the trigger on the spray wand assembly to relieve the pressure in the hose.

**NOTE:** A small amount of water will squirt out when you release the pressure.

### SPRAY NOZZLES

Your high pressure washer comes equipped with an adjustable nozzle (Fig. 12). Attach nozzle as shown in Fig. 10 and **HAND TIGHTEN** the plastic knob. Figure 12 shows the optional turbo nozzle.

### HOW TO USE ADJUSTABLE NOZZLE

**WARNING:** NEVER ADJUST SPRAY PATTERN WHEN SPRAYING. NEVER PUT HANDS IN FRONT OF SPRAY NOZZLE TO ADJUST SPRAY PATTERN.

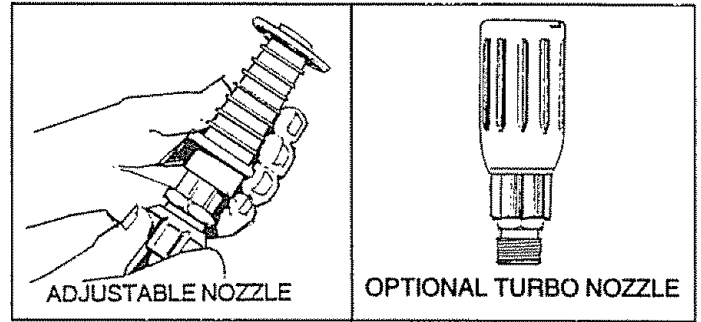


FIG. 10

FIG. 11

With the adjustable nozzle you can adjust the spray pattern to be either high pressure or low pressure. You can also adjust the spray so it is concentrated in a stream pattern or expanded into a fan pattern. Use this nozzle to apply detergent.

- Push the nozzle attachment forward when you wish to adjust the spray to low pressure mode (Fig. 12). Push the nozzle backward to achieve high pressure.
- Twisting the nozzle adjusts the spray pattern from a narrow stream to an expanded stream.
- You can also adjust the pressure by turning the pressure control knob (Fig. 13) to the desired pressure setting. Turning this knob all the way clockwise produces the highest pressure. Do not unscrew the pressure control valve more than 3 turns. It will come off.

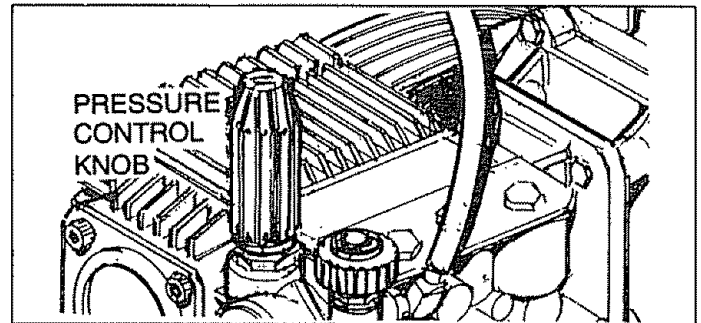


FIG. 13

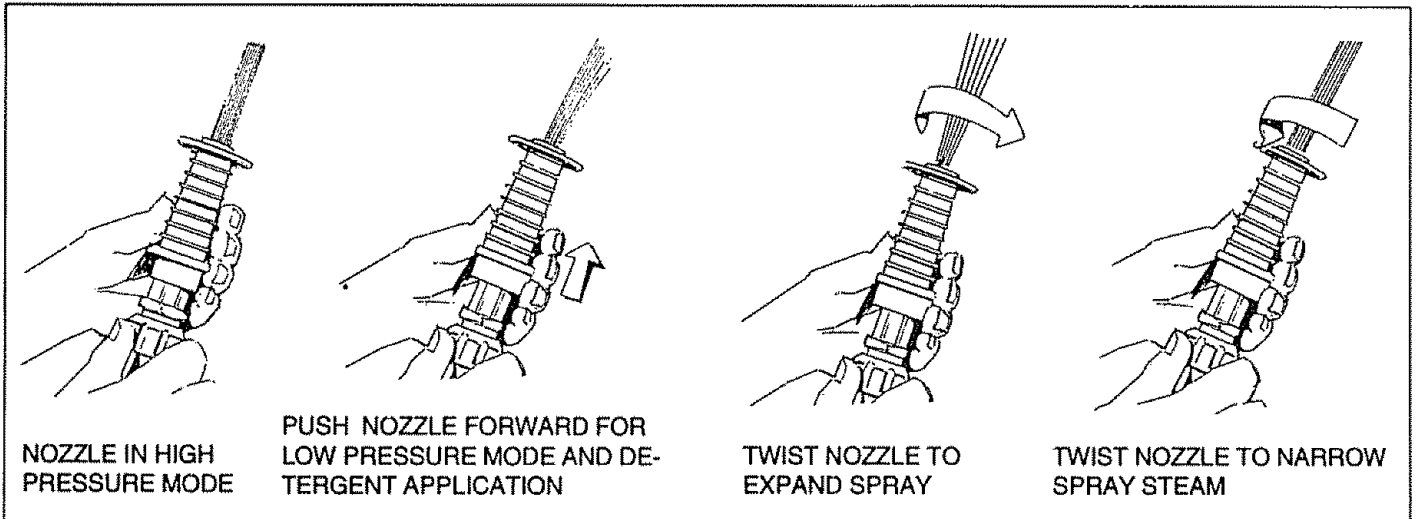


FIG. 12

# OPERATION

## DETERGENT APPLICATION WITH ADJUSTABLE NOZZLE

**IMPORTANT:** USE SOAPS DESIGNED SPECIFICALLY FOR PRESSURE WASHERS. HOUSEHOLD DETERGENTS COULD DAMAGE THE PUMP.

**IMPORTANT:** YOU MUST ATTACH ALL HOSES BEFORE YOU START THE ENGINE. STARTING THE ENGINE WITHOUT ALL THE HOSES CONNECTED WILL DAMAGE THE PUMP.

Pressure washers are useful cleaning tools designed to clean almost any surface in two easy steps.

- The first step involves applying an appropriate detergent/solvent solution to penetrate and loosen grime. The detergent is applied at low pressure to avoid splashing, overspraying and waste. Leave the solution on surface for 3 to 5 minutes to allow solution to work.
- The second step involves cleaning the surface you have prepared with the pressure washer and then rinsing it clean.

To apply detergent follow these steps:

- Prepare your detergent solution as required by your job.
- Place small filter of the clear, detergent siphoning tube into the detergent container (Fig. 14).
- Set nozzle to low pressure mode. Detergent is not siphoned in the high pressure mode (Fig. 12).
- Start washer and apply detergent to a dry surface, starting from the bottom and working up. You can adjust the concentration of detergent by turning the knob on the detergent injector (Fig. 15).
- Remove siphon from bottle to stop flow of detergent in low pressure mode.

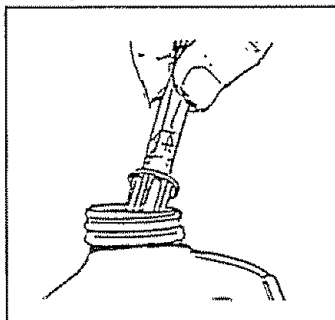


FIG. 14

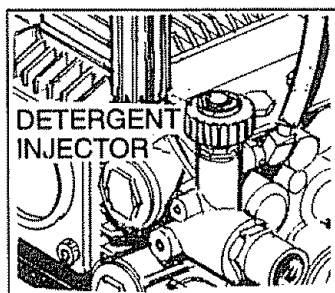


FIG. 15

- Hook up water supply (Fig. 16).
- Adjust nozzle to select high pressure mode.

**NOTE:** Detergent will not flow when in the high pressure mode.

- Start washer and work from the top of the surface to the bottom.

**NOTE:** The high pressure mode is most effective when the tip of the wand is held between 8 to 24 inches from the surface being cleaned.

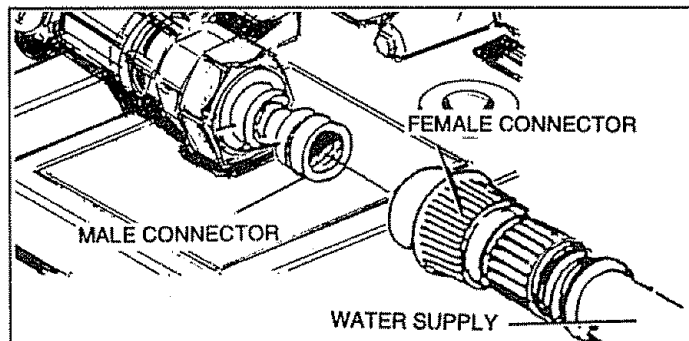


FIG. 16

## HOW TO USE OPTIONAL TURBO NOZZLE

- The rotating turbo nozzle, in essence, expands the area of the high pressure stream.
- You cannot adjust the spray pattern with this nozzle.
- You cannot apply detergent with this nozzle.

## STORING NOZZLES

A holder for the nozzles is included on the base. You can keep the adjustable nozzle in this holder (Fig. 17) or even the optional turbo nozzle.

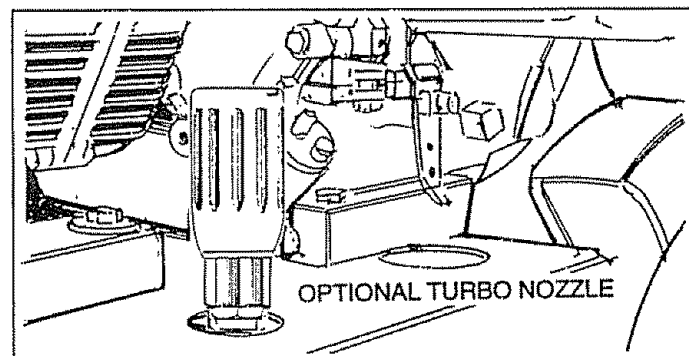


FIG. 17

**NOTE:** Detergents are most effective when applied to a dry surface.

## PRESSURE WASHING/RINSING



**WARNING:** BE EXTREMELY CAREFUL IF YOU MUST USE PRESSURE WASHER FROM LADDER, SCAFFOLDING OR ANY OTHER RELATIVELY UNSTABLE LOCATION. PRESSURE IN A RUNNING WASHER BUILDS IN THE WAND AS YOU CLIMB. WHEN YOU PRESS THE TRIGGER, THE RECOIL FROM THE INITIAL SPRAY COULD FORCE YOU TO FALL, OR IF YOU ARE TOO CLOSE TO THE CLEANING SURFACE, HIGH PRESSURE COULD FORCE YOU OFF CLIMBING APPARATUS.

## BEFORE STARTING THE ENGINE

To operate the engine you will need the following:

### ENGINE OIL

**IMPORTANT:** ANY ATTEMPT TO CRANK OR START THE ENGINE BEFORE IT HAS BEEN PROPERLY SERVICED WITH THE RECOMMENDED OIL MAY RESULT IN AN ENGINE FAILURE.

A 27 oz. bottle of SAE 30 weight oil is included in the parts carton.

# OPERATION

**NOTE:** When adding oil to the engine crankcase in the future, use only high quality detergent oil rated with API service classification SF, SG or SH rated SAE 30 weight. Use no special additives. Select the oil's viscosity grade according to your expected operating temperature.

colder	32°F	warmer
5W30		SAE30

Although multi-viscosity oils (5W30, 10W30, etc.) improve starting in cold weather, these multi-viscosity oils will result in increased oil consumption when used above 32°F. Check your engine oil level more frequently to avoid possible damage from running low on oil. Oil sump capacity is 20 ounces.

- Position pressure washer so engine is level.
- Clean area around oil fill plug and remove oil fill plug (Fig. 18).

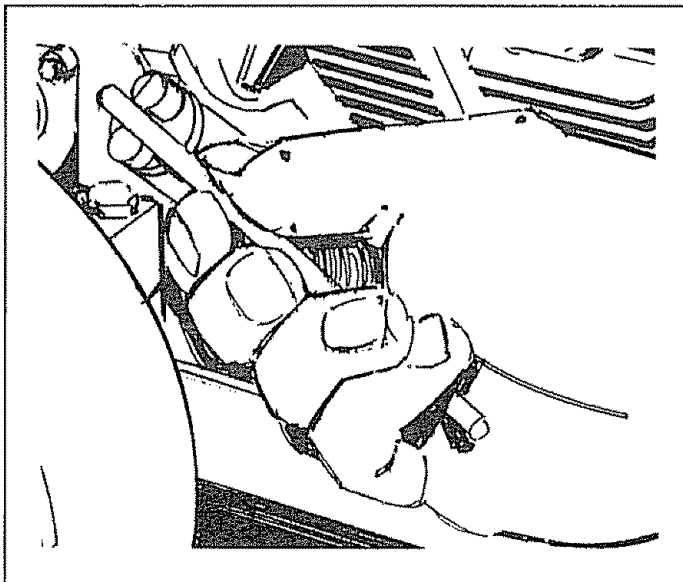


FIG. 18

- Fill oil crankcase to point of overflowing. Oil sump capacity is 20 U.S. ounces.

**IMPORTANT:** OIL IS PROVIDED IN 27 OZ. CONTAINER. YOU DO NOT NEED TO USE THE ENTIRE CONTENTS OF THE CONTAINER TO FILL THE OIL CRANKCASE.

## GAS



**WARNING: NEVER FILL FUEL TANK INDOORS. NEVER FILL FUEL TANK WHEN ENGINE IS RUNNING OR HOT. DO NOT SMOKE WHEN FILLING FUEL TANK.**



**WARNING: NEVER FILL FUEL TANK COMPLETELY FULL. FILL TANK TO ABOUT 1/2" BELOW THE BOTTOM OF FILLER NECK TO PROVIDE SPACE FOR FUEL EXPANSION. WIPE AWAY ANY FUEL SPILLAGE FROM ENGINE AND EQUIPMENT BEFORE STARTING.**

The manufacturer recommends fresh, clean, unleaded regular automotive gasoline with a minimum of 77 octane (Leaded regular grade is an acceptable substitute). Tank capacity is 2 U.S. quarts.

- Use clean fuel and store in approved, clean covered containers. Use clean fill funnels. Never use "stale" gasoline left over from last season or gasoline stored for long periods.

**IMPORTANT:** IT IS IMPORTANT TO PREVENT GUM DEPOSITS FROM FORMING IN ESSENTIAL FUEL SYSTEM PARTS SUCH AS THE CARBURETOR, FUEL FILTER, FUEL HOSE OR TANK DURING STORAGE. ALSO, EXPERIENCE INDICATES THAT ALCOHOL-BLENDED FUELS (CALLED GASOHOL OR USING ETHANOL OR METHANOL) CAN ATTRACT MOISTURE WHICH LEADS TO SEPARATION AND FORMATION OF ACIDS DURING STORAGE. ACIDIC GAS CAN DAMAGE THE FUEL SYSTEM OF AN ENGINE WHILE IN STORAGE. TO AVOID ENGINE PROBLEMS, THE FUEL SYSTEM SHOULD BE EMPTIED BEFORE STORAGE OF 30 DAYS OR LONGER. SEE "STORAGE" ON PAGE 17. NEVER USE ENGINE OR CARBURETOR CLEANER PRODUCTS IN THE FUEL TANK OR PERMANENT DAMAGE MAY OCCUR.

- Clean area around fuel fill cap, remove cap.
- Add "UNLEADED" regular gasoline, slowly, to fuel tank.
- Install fuel cap and wipe up any spilled gasoline.

## TO TURN ON WASHER

- Attach one end of a garden hose to a cold water source. Water supply should not exceed 140°F (55°C).
- Check that high pressure hose is attached to pump outlet and that water supply is attached to water inlet.
- Turn ON water.
- Press trigger on gun and wand assembly to force air from high pressure hose.
- Start engine according to "TO START ENGINE."

# OPERATION

## TO START ENGINE

**IMPORTANT: DO NOT RUN PUMP WITHOUT THE WATER SUPPLY CONNECTED AND TURNED ON. YOU MUST FOLLOW THIS CAUTION OR THE PUMP WILL BE DAMAGED.**

- Press trigger on pressure washer wand to relieve high pressure and/or purge the inlet hose of air.
- Move throttle control to FAST position (Fig. 19).

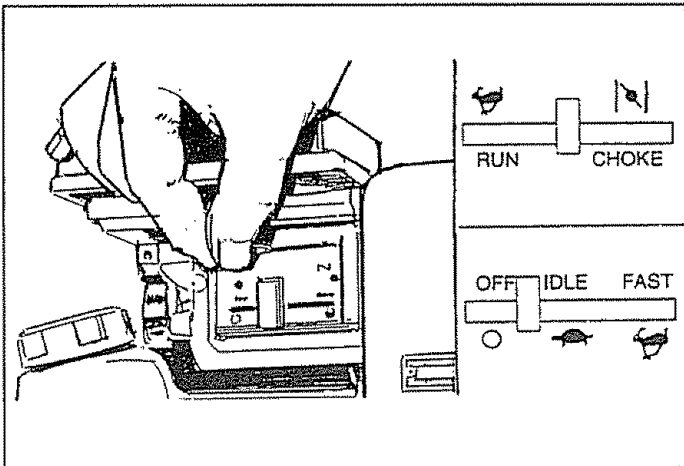


FIG. 19

- For a cold engine, move engine control lever to CHOKE position. For a warm engine move engine control lever to RUN position.
- Adjust safety latch to the ON position. This disables the trigger so you cannot inadvertently actuate a high pressure spray (Fig. 20).

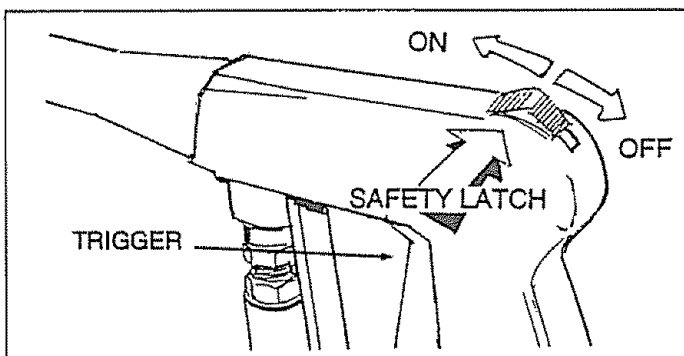


FIG. 20

- Grasp the engine starter recoil handle and pull back slowly until you feel some resistance. Then pull rope rapidly to overcome compression, prevent kickback and start engine. Let rope return slowly (Fig. 21).
- When engine starts, move choke lever to RUN position and throttle control to FAST position. If engine fails to start, move choke lever to RUN position and pull starter rope (max. 2 pulls).
- If engine fails to start, repeat the process up to three times, then check Troubleshooting Chart.

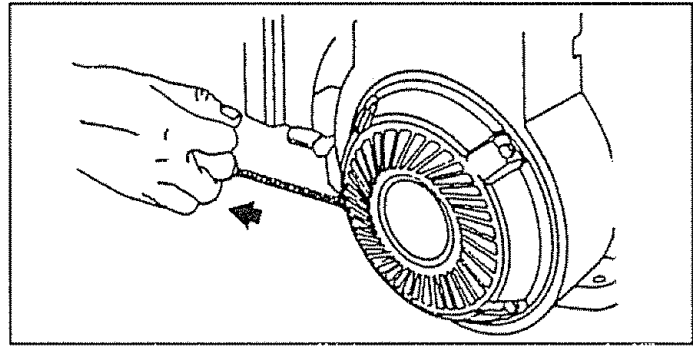


FIG. 21

**NOTE:** The engine is equipped with low oil level shutdown system. The engine will not start unless the oil crankcase is filled to proper level. If engine shuts down during operation or you have difficulty starting the engine, check crankcase oil level and add oil if required.

- Once engine has started, move Safety Latch on spray gun to OFF position, press trigger on spray gun. Water should spray out the nozzle.
- Adjust nozzle for correct pressure, spray angle. You can also turn the pressure control knob to your desired pressure setting.
- Your pressure washer is ready to use.

## SIPHONING

We recommend that you **DO NOT** siphon your water supply from sources other than from connecting to household water supply.

## TIPS

- Initially clean an area and then check the surface for damage. If no damage is found, you can assume it is okay to continue cleaning. Detergents work best when applied to dry surface.
- For most effective cleaning, keep spray nozzle between 8 to 24 inches of cleaning surface.
- Allow the detergent to soak in between 3-5 minutes before washing and rinsing.
- For cleaning, start at lower portion of area to be washed and work upward, using long, even overlapping strokes.
- For rinsing, push the nozzle sleeve to high pressure and wait for detergent to clear. Start at the top of area to be rinsed, working down with the same action as for cleaning.
- Never use the garden hose inlet to siphon detergent or wax.
- If you get the spray nozzle too close, especially using high pressure mode, you may damage the cleaning surface.
- If you have the spray nozzle too far away, the cleaning will not be as effective.
- Do not get closer than 6 inches when cleaning automobile tires.

# CUSTOMER RESPONSIBILITIES

MAINTENANCE SCHEDULE FILL IN DATES AS YOU COMPLETE REGULAR SERVICE	HOURLY OPERATING INTERVAL				SERVICE DATES				
MAINTENANCE TASK	Before Each Use	Every 25 Hours or Yearly	After First 50 Hours	Every 100 Hours or Yearly					
<b>PRESSURE WASHER</b>									
Check/clean inlet filter and screen	X†								
Check high pressure hose.	X								
Check detergent hose.	X								
Check gun and wand for leaks.	X								
Check pump oil.			X‡						
<b>ENGINE</b>									
Check oil level.	X								
Change engine oil. ♦		X*							
Service air cleaner.					X**				
Replace/clean spark plug.					X				
Prepare for storage.	Prepare unit for storage if it is to remain idle longer than 30 days								

† Clean if clogged. Replace if perforated or torn.

‡ Change oil after first 50 operating hours, then after every 500 hours or yearly.

♦ Change oil after first 5 hours, then after every 25 hours.

\* Change sooner when operating under heavy load or high ambient temperature.

## GENERAL RECOMMENDATIONS

The warranty of the high pressure washer does not cover items that have been subjected to operator abuse or negligence. To receive full value from the warranty, operator must maintain high pressure washer as instructed in this manual.

Some adjustments will need to be made periodically to properly maintain your high pressure washer.

All adjustments in the Service and Adjustments section of this manual should be made at least once each season.

- Once a year you should replace the spark plug and clean or replace the air filter and check the gun and wand assembly for wear. A new spark plug and clean air filter assure proper fuel-air mixture and help your engine run better and last longer.

## BEFORE EACH USE

- Check engine oil level.
- Check water inlet filter and quick-connect screen for damage.
- Check high pressure hose for leaks.
- Check detergent inlet hose and filter for damage.
- Check gun and wand assembly for leaks.

## PRESSURE WASHER MAINTENANCE



**DANGER: WATER SPRAYING FROM A LEAK IS CAPABLE OF INJECTING MATERIAL INTO SKIN. NEVER REPAIR HIGH PRESSURE HOSE. REPLACE WITH HOSE THAT MEETS MINIMUM PRESSURE RATING OF YOUR PRESSURE WASHER.**

**Check Inlet Filter and Screen:** Remove quick-connect and examine inlet screen on the female connector and filter on pump inlet fitting. Clean if either is clogged or replace if either is torn.

**Check High Pressure Hose:** High pressure hose can develop leaks from wear, kinking, abuse. Inspect hose each time before using it. Check for cuts, leaks, abrasions or bulging of cover, or damage or movement of couplings. If any of these conditions exist, replace hose immediately.

**Check Detergent Hose:** Examine the filter on the detergent hose and clean if clogged. Hose should fit tightly on barbed fitting. Examine hose for leaks or tears. Replace the filter or hose if either is damaged.

**Check Gun and Wand:** Examine hose connection to gun and make sure it is secure. Test trigger by pressing it and making sure it springs back into place when you release it. Put safety latch in ON position and test trigger. You should not be able to press trigger.

**Check Pump Oil:** Refer to PUMP MAINTENANCE for information.

# CUSTOMER RESPONSIBILITY

## PUMP MAINTENANCE

**Pump Oil:** Change pump oil after first 50 hours of operation, then every 500 hours thereafter. To change pump oil, follows these steps:

- Place a proper container beneath the pump. You will only need a small one because capacity is only 5 ounces.
- Remove the Oil Drain Plug on bottom of pump and drain oil into the container (Fig. 22).

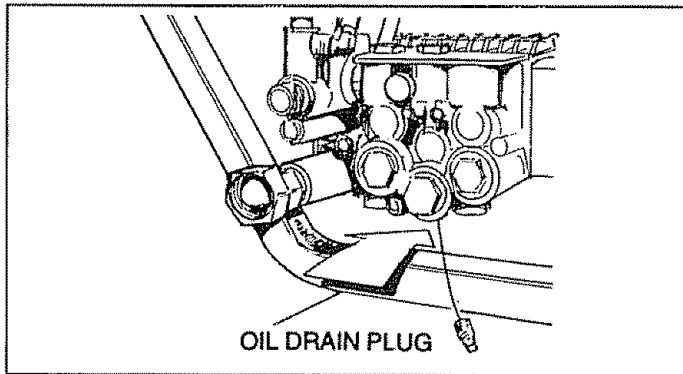


FIG. 22

- When oil has drained completely, reinstall oil drain plug.
- Remove pump's oil fill plug, insert funnel and add recommended SAE 20W-40 oil until level reaches full mark on gauge located on side of the pump.
- Reinstall the pump's oil fill plug.

## ENGINE MAINTENANCE

### CHECKING OIL LEVEL

See "PREPARATION BEFORE USE" for information on checking oil level. Oil level should be checked prior to each use or at least every 5 hours of operation. Keep oil level maintained.

### CHANGING OIL

- Change oil after first 5 hours of operation. Change oil every 25 hours thereafter. If you are using your pressure washer under extremely dirty or dusty conditions, or in extremely hot weather, change oil more often.
- Change oil while engine is still warm from running, as follows:



**CAUTION: DISCONNECT SPARK PLUG WIRE FROM SPARK PLUG AND KEEP IT AWAY FROM SPARK PLUG.**

- Clean area around oil drain plug, remove plug and drain oil completely into a suitable container (Fig. 23).
- When all oil has drained, install and tighten oil plug.
- Clean area around oil fill plug and remove oil fill plug.
- Fill engine crankcase with recommended oil until oil level is at point of overflowing. About 20 ounces is required. **POUR SLOWLY.**

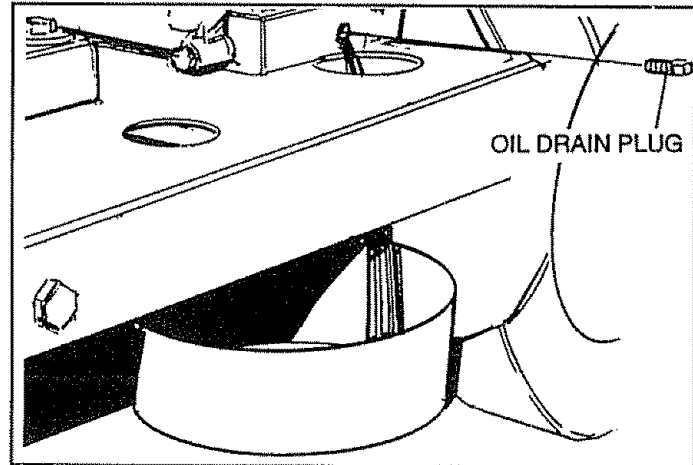


FIG. 23

- When engine crankcase is filled to proper level, install and tighten oil fill plug.

### SERVICE AIR CLEANER

Your engine will not run properly and may be damaged if you run it using a dirty air cleaner.

Clean or replace the air cleaner paper filter once every 100 hours of operation or once a year, whichever comes first. Clean or replace more often if operating under dusty or dirty conditions. Replacements are available at your local Sears Authorized Service Center.

To clean or replace air cleaner (Fig. 24), follow these steps:

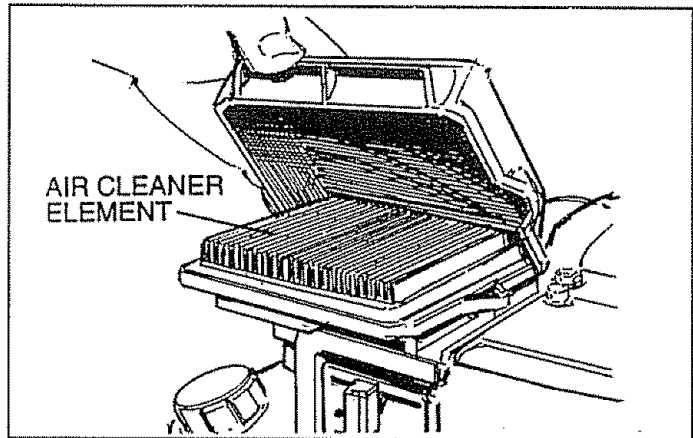


FIG. 24

- Loosen cover screws (these need not be removed) and remove cover. Thoroughly clean inside of base and cover.
- Service cartridge by tapping gently on a flat surface. Replace if dirty. Do not oil cartridge.
- Insert cartridge (new or used) and reassemble cover to base as it was removed before. Tighten cover screws securely.

# CUSTOMER RESPONSIBILITIES

## CLEAN COOLING SYSTEM

- Clean dirt or chaff from finger guard or rotating screen every 8 hours to prevent engine damage caused by overheating (Fig. 25).
- Keep dirt and combustible debris off of muffler area.

## REPLACE SPARK PLUG

- Change the spark plug every 100 hours of operation or once each year, whichever comes first. This will help engine to start easier and run better. See pressure washer specifications for the type of spark plug you need. Spark plug gap is 0.030 inch (0.76mm).

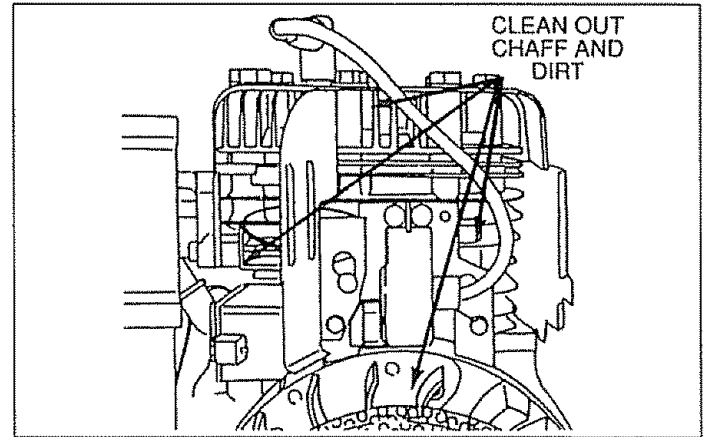


FIG. 25

# SERVICE AND ADJUSTMENTS

## ENGINE ADJUSTMENTS

### Carburetor:

Differences in fuel, temperature, altitude or load may require minor carburetor adjustment. Air cleaner and air cleaner cover must be assembled to carburetor before starting engine.

### INITIAL ADJUSTMENT

- Gently turn NEEDLE VALVE (Fig. 26) clockwise until it just closes. Valve may be damaged by turning it inward too far.

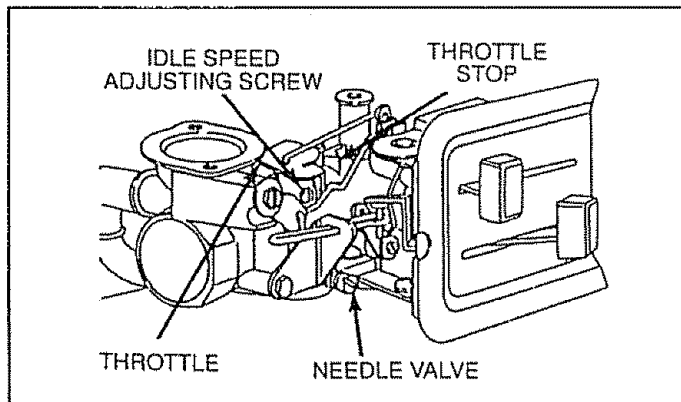


FIG. 26

- Next open NEEDLE VALVE 1-1/2 turns counterclockwise.
- This initial adjustment will permit the engine to be started and warmed up.

### FINAL ADJUSTMENT

- Start engine and let it warm up for at least five minutes.
- With engine running, turn NEEDLE VALVE inward (clockwise – lean mixture) until engine just starts to slow.

### Engine Speed:



**WARNING: NEVER TAMPER WITH ENGINE GOVERNOR WHICH IS FACTORY SET FOR PROPER ENGINE SPEED. OVERSPEEDING ENGINE ABOVE FACTORY HIGH SPEED SETTING CAN BE DANGEROUS.**



# STORAGE

## AFTER EACH USE

Water should not remain in the unit for long periods of time. Sediments of minerals can deposit on pump parts and "freeze" pump action. Follow these procedures after every use:

- Flush detergent hose by placing the injector filter into a pail of clear water while running Pressure Washer with nozzle in low pressure mode. Flush for five minutes.
- Shut off the engine and let it cool, then remove all hoses.



**CAUTION: BE SURE THE THROTTLE LEVER IS IN "STOP" POSITION BEFORE YOU CONTINUE. IF YOU START THE ENGINE WITHOUT THE PROPER WATER SUPPLY CONNECTED, YOU CAN DAMAGE THE PUMP.**

- Empty the pump of all pumped liquids by pulling recoil handle about 6 times. This should remove most of the liquid in the pump.
- Coil the high pressure hose and inspect it for damage. Cuts in the hose or fraying of it could result in leaks and loss of pressure. Should any damage be found, replace the hose. DO NOT attempt to repair a damaged hose and use it. Replace the hose with the genuine Craftsman part.
- Drain water from hose and properly hang it on the wire support provided on the guide handle.

**NOTE:** To protect the unit from freezing temperatures, you can draw windshield washer fluid into the pump by pouring the washer fluid into a 3-foot section of garden hose connected to the inlet adapter and pulling the recoil handle twice.

- Store in a clean, dry area.

## LONG TERM STORAGE



**WARNING: NEVER STORE ENGINE WITH FUEL IN TANK INDOORS OR IN ENCLOSED, POORLY VENTILATED AREAS WHERE FUMES MAY REACH AN OPEN FLAME, SPARK OR PILOT LIGHT AS ON A FURNACE, WATER HEATER, CLOTHES DRYER OR OTHER GAS APPLIANCE.**

If you do not plan to use the Pressure Washer for more than 30 days, you must prepare the engine for long term storage.

**NOTE:** As always, prepare the pressure washer pump as you would after each use.

It is important to prevent gum deposits from forming in essential fuel system parts such as the carburetor, fuel filter, fuel hose or tank during storage. Also, experience indicates that alcohol-blended fuels (called "gasohol" or using ethanol or methanol) can attract moisture which leads to separation and formation of acids during storage. Acidic gas can damage the fuel system of an engine while in storage.

To avoid engine problems, the fuel system should be emptied before storage of 30 days or longer. Follow these instructions:

**Protect Fuel System:** Engines stored over 30 days need to be protected or drained of fuel to prevent gum deposits from forming in fuel system or on essential carburetor parts.

- For engine protection use a fuel stabilizer (such as STA-BIL<sup>®</sup>). Mix stabilizer with fuel in fuel tank and run engine for short time to circulate stabilizer through carburetor.
- If you did use "gasohol", run engine until engine stops from lack of fuel. Make sure you have water supply to pump inlet connected and turned ON.

**Change Oil:** While engine is still warm, drain oil from crankcase. Refill with recommended grade.

**Oil Cylinder Bore:** Remove spark plug and pour about 1/2 ounce (15ml) of engine oil into the cylinder. Cover spark plug hole with rag. Crank slowly to distribute oil.



**CAUTION! AVOID SPRAY FROM SPARK PLUG HOLE WHEN CRANKING ENGINE SLOWLY.**

- Install spark plug. Do not connect spark plug wire.

## OTHER

- Do not store gasoline from one season to another.
- Replace your gasoline can if your can starts to rust. Rust and/or dirt in your gasoline will cause problems.
- If possible, store your unit indoors and cover it to give protection from dust and dirt.
- Cover your unit with a suitable protective cover that does not retain moisture.

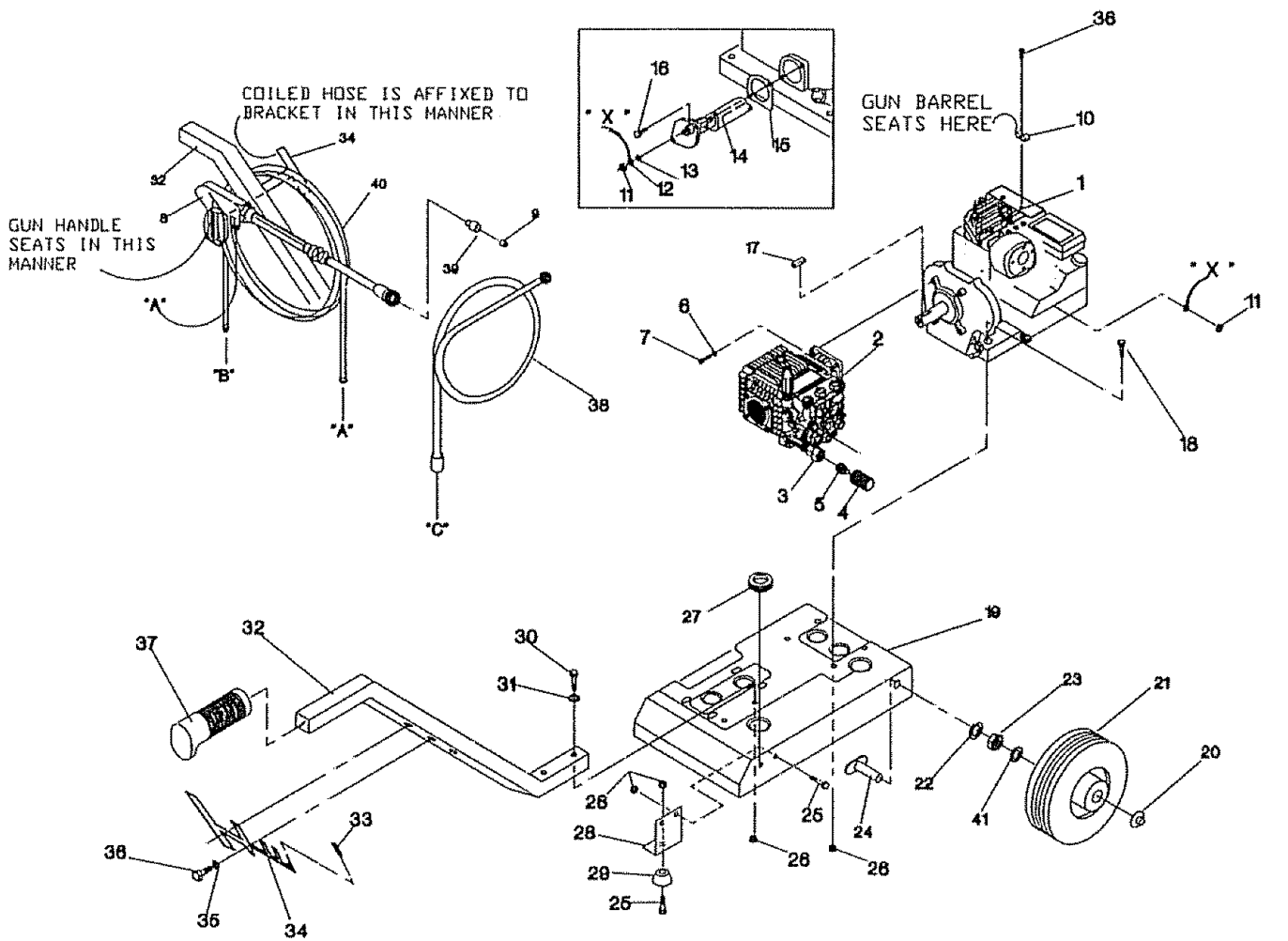
**IMPORTANT: NEVER COVER YOUR PRESSURE WASHER WHILE ENGINE AND EXHAUST AREAS ARE WARM.**

# TROUBLESHOOTING

PROBLEM	CAUSE	CORRECTION
Pump has following problems: failure to produce pressure, erratic pressure, chattering, loss of pressure, low water volume.	<ol style="list-style-type: none"> <li>1. Nozzle in low pressure mode.</li> <li>2. Low regulator pressure</li> <li>3. Water inlet is blocked.</li> <li>4. Inadequate water supply</li> <li>5. Inlet hose is kinked or leaking</li> <li>6. Clogged inlet hose strainer.</li> <li>7. Detergent line is not submerged.</li> <li>8. Water supply is over 140°F.</li> <li>9. Outlet hose is blocked or leaks.</li> <li>10. Gun leaks.</li> <li>11. Nozzle is obstructed.</li> <li>12. Pump is faulty.</li> </ol>	<ol style="list-style-type: none"> <li>1. Pull nozzle backward for high pressure mode.</li> <li>2. Adjust regulator to desired setting.</li> <li>3. Clear inlet</li> <li>4. Provide adequate water flow.</li> <li>5. Straighten inlet hose, patch leak.</li> <li>6. Check and clean inlet hose strainer.</li> <li>7. Submerge detergent line.</li> <li>8. Provide cooler water supply.</li> <li>9. Clear blocks in outlet hose.</li> <li>10. Replace gun.</li> <li>11. Clear nozzle.</li> <li>12. Contact Sears Service Department.</li> </ol>
Detergent fails to mix with spray.	<ol style="list-style-type: none"> <li>1. Detergent line is not submerged.</li> <li>2. Chemical filter is clogged.</li> <li>3. Nozzle is in high pressure mode.</li> </ol>	<ol style="list-style-type: none"> <li>1. Insert chemical line into detergent.</li> <li>2. Clean or replace filter/detergent line.</li> <li>3. Push nozzle forward for low pressure mode.</li> </ol>
Engine runs good at no-load but "bogs"	Engine speed is too slow.	Contact Sears Service Department.
Engine will not start; or starts and runs rough	<ol style="list-style-type: none"> <li>1. Low oil level</li> <li>2. Dirty air cleaner</li> <li>3. Out of gasoline.</li> <li>4. Stale gasoline.</li> <li>5. Spark plug wire not connected to spark plug</li> <li>6. Bad spark plug.</li> <li>7. Water in gasoline.</li> <li>8. Overchoking.</li> <li>9. Excessively rich fuel mixture.</li> <li>10. Intake valve stuck open or closed.</li> <li>11. Engine has lost compression.</li> </ol>	<ol style="list-style-type: none"> <li>1. Fill crankcase to proper level.</li> <li>2. Clean or replace air cleaner.</li> <li>3. Fill fuel tank.</li> <li>4. Drain gas tank; fill with fresh fuel.</li> <li>5. Connect wire to spark plug.</li> <li>6. Replace spark plug.</li> <li>7. Drain gas tank; fill with fresh fuel.</li> <li>8. Open choke fully and crank engine.</li> <li>9. Contact Sears Service Department.</li> <li>10. Contact Sears Service Department.</li> <li>11. Contact Sears Service Department.</li> </ol>
Engine shuts down during operation	<ol style="list-style-type: none"> <li>1. Out of gasoline.</li> <li>2. Low oil level.</li> </ol>	<ol style="list-style-type: none"> <li>1. Fill fuel tank.</li> <li>2. Fill crankcase to proper level.</li> </ol>
Engine lacks power.	Dirty air filter.	Replace air filter.
Engine "hunts" or falters.	1. Choke is opened too soon.	1. Move choke to halfway position until engine runs smoothly.

# CRAFTSMAN 1800 PSI HIGH PRESSURE WASHER 580.751510

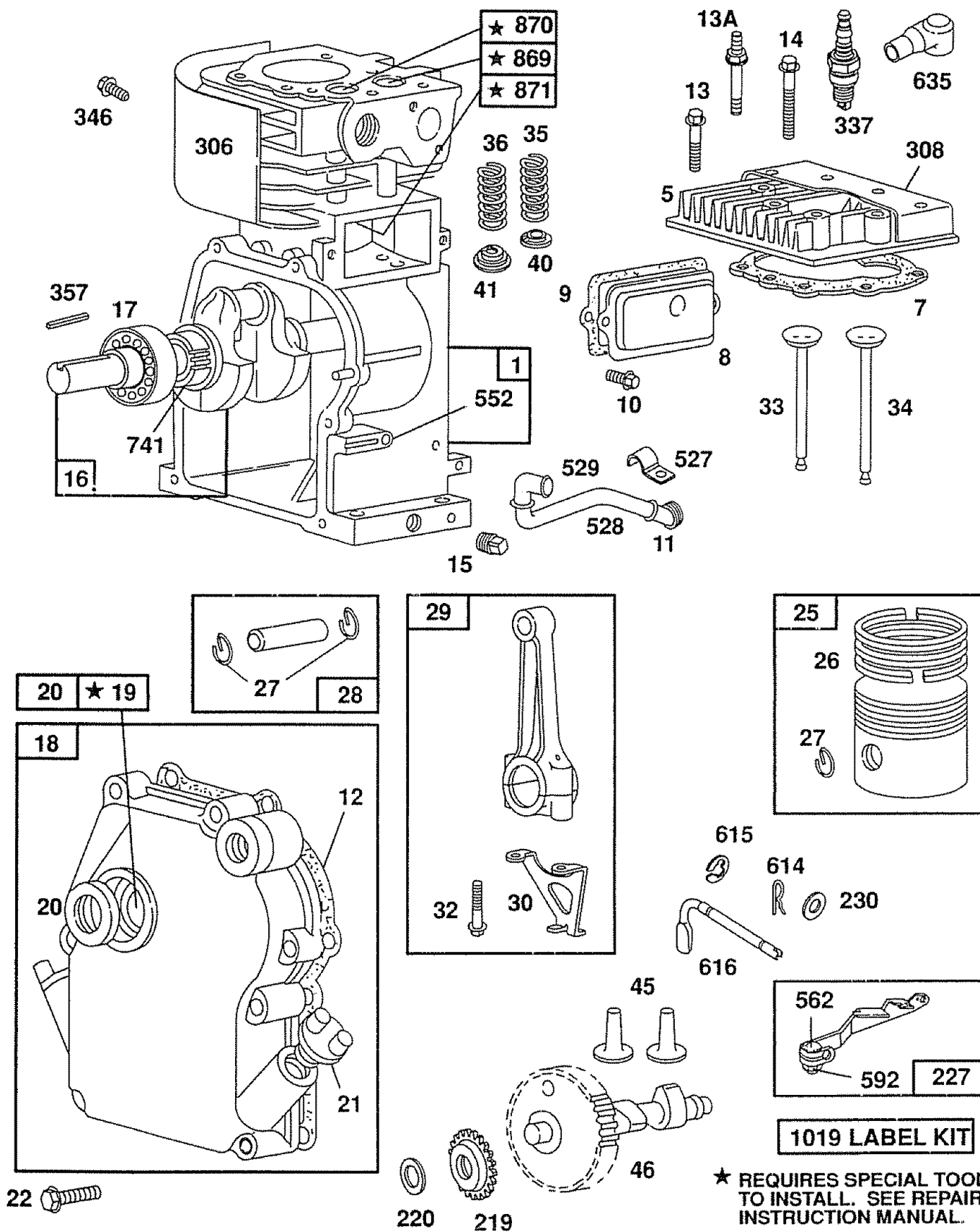
# REPAIR PARTS

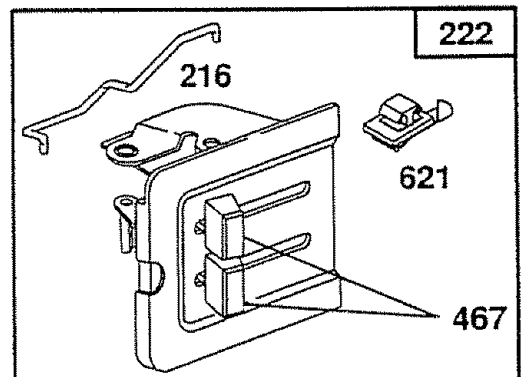
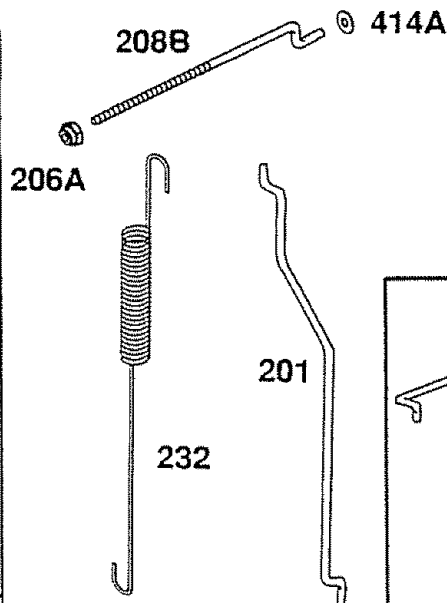
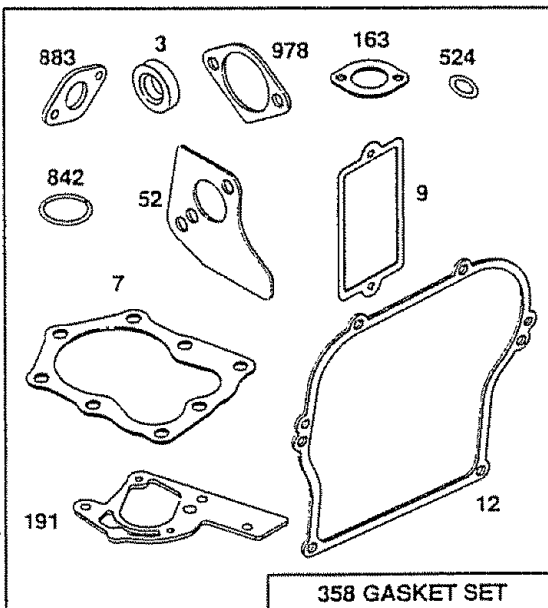
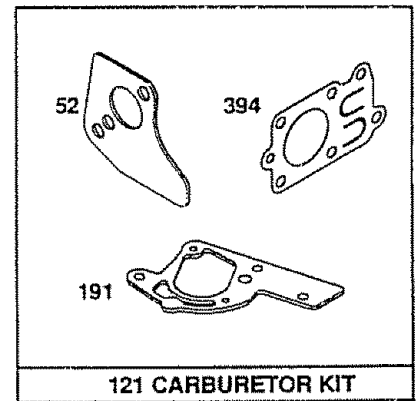
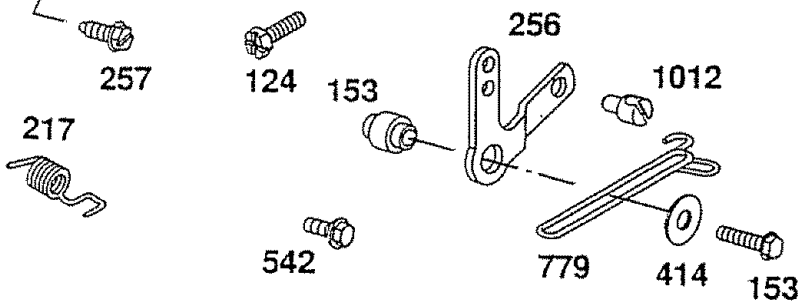
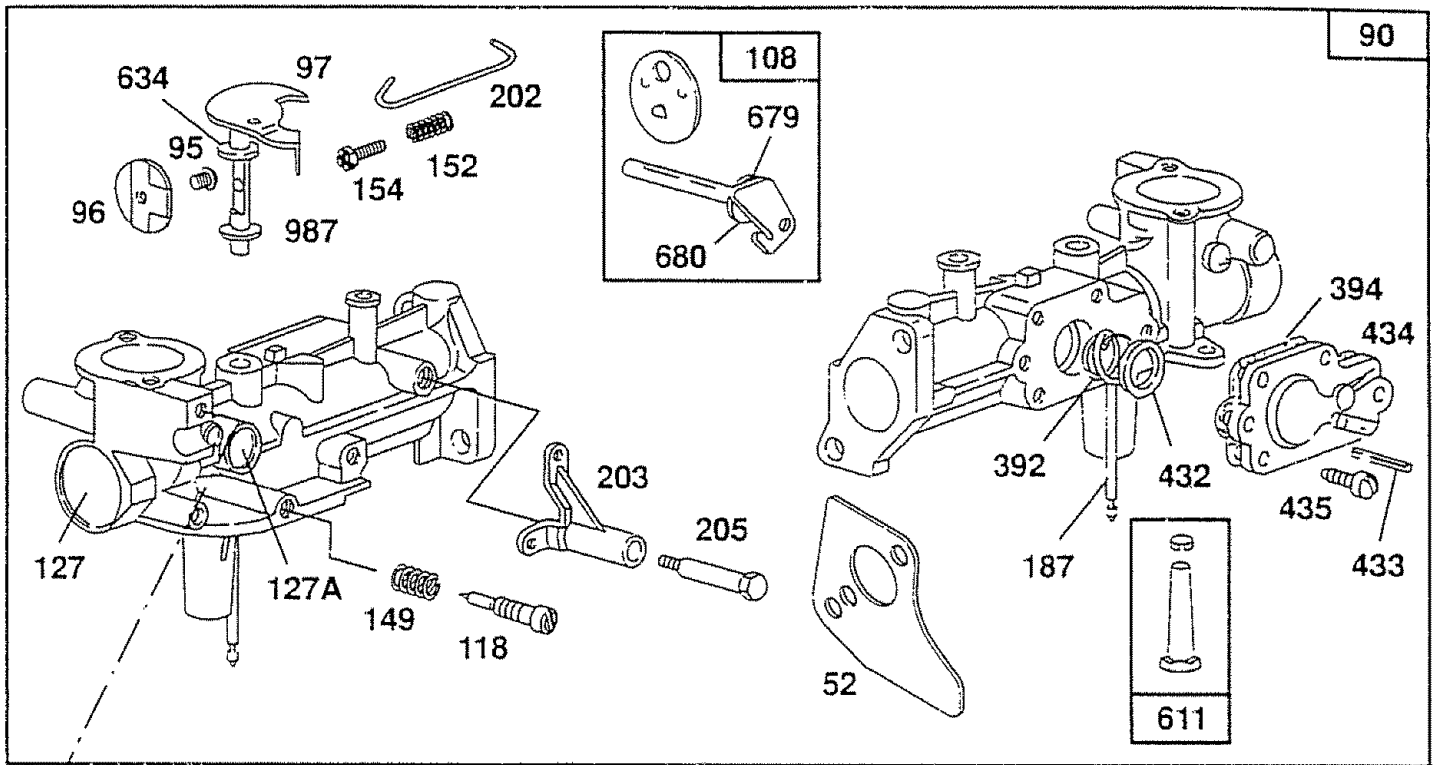


ITEM	PART NO.	DESCRIPTION	ITEM	PART NO.	DESCRIPTION
1	95998	5 hp Briggs & Stratton Engine (1 req.)	22	22246	5/8" Lock Washer (2 req.)
2	87628	Pump (1 req.)	23	25391	Jam Nut (2 req.)
3	89647	Brass Water Hose Connector (1 req.)	24	93728	Wheel Axle (2 req.)
4	96016	Quick-connect, Female (1 req.)	25	39253	M8-1.25 x 20mm Capscrew (6 req.)
5	95456	Quick-connect, Male (1 req.)	26	52858	M8-1.25 Flange Nut (12 req.)
6	92479	5/16" Conical Lock Washer (4 req.)	27	92235	Rubber Grommet (1 req.)
7	22336	5/16"-24 x 3/4" Capscrew (4 req.)	28	91092	Support Leg (2 req.)
8	95567	Gun And Wand Assembly (1 req.)	29	87841	Shock Mount (2 req.)
9	92661	Replacement Nozzle [blue] (1 req.)	30	57821	M8-1.25 x 40mm Screw (2 req.)
10	65852	Spring Clip (1 req.)	31	50190	M8 x 25 Flat Washer (2 req.)
11	22471	#8-32 Nut (2 req.)	32	91093	Guide Handle (1 req.)
12	91842A	Low Oil Shutdown Wire (1 req.)	33	92067	Vinyl Cap (1 req.)
13	23365	#8 Shakeproof Washer (1 req.)	34	95908	Gun And Hose Holder (1 req.)
14	88977	Low Oil Shutdown (1 req.)	35	96633	#10 Flat Washer (2 req.)
15	91841	Low Oil Shutdown Gasket (1 req.)	36	86292	#10 Self-drilling Screw (3 req.)
16	32713	#10-32 x 5/8" Taptite Screw (2 req.)	37	77584	Handle Grip (1 req.)
17	89314	3/16" Sq. x 1-7/8" Key (1 req.)	38	89800	Replacement Chemical Injector Hose (1 req.)
18	39414	M8-1.25 x 35mm Capscrew (4 req.)	39	95587A	Adjustable Nozzle (1 req.)
19	95902	Mounting Base (1 req.)	40	91630	3/8" I.D. x 25' Hose Assembly (1 req.)
20	75402	1/2" Dia. Push Nut (2 req.)	41	49808	M12 Flat Washer (2 req.)
21	91094	2-1/4" x 8" Wheel (2 req.)	—	96596	Owner's Manual [not shown] (1 req.)

**CRAFTSMAN 1800 PSI HIGH PRESSURE WASHER 580.751510  
BRIGGS & STRATTON 4-CYCLE ENGINE 133212-0159-01**

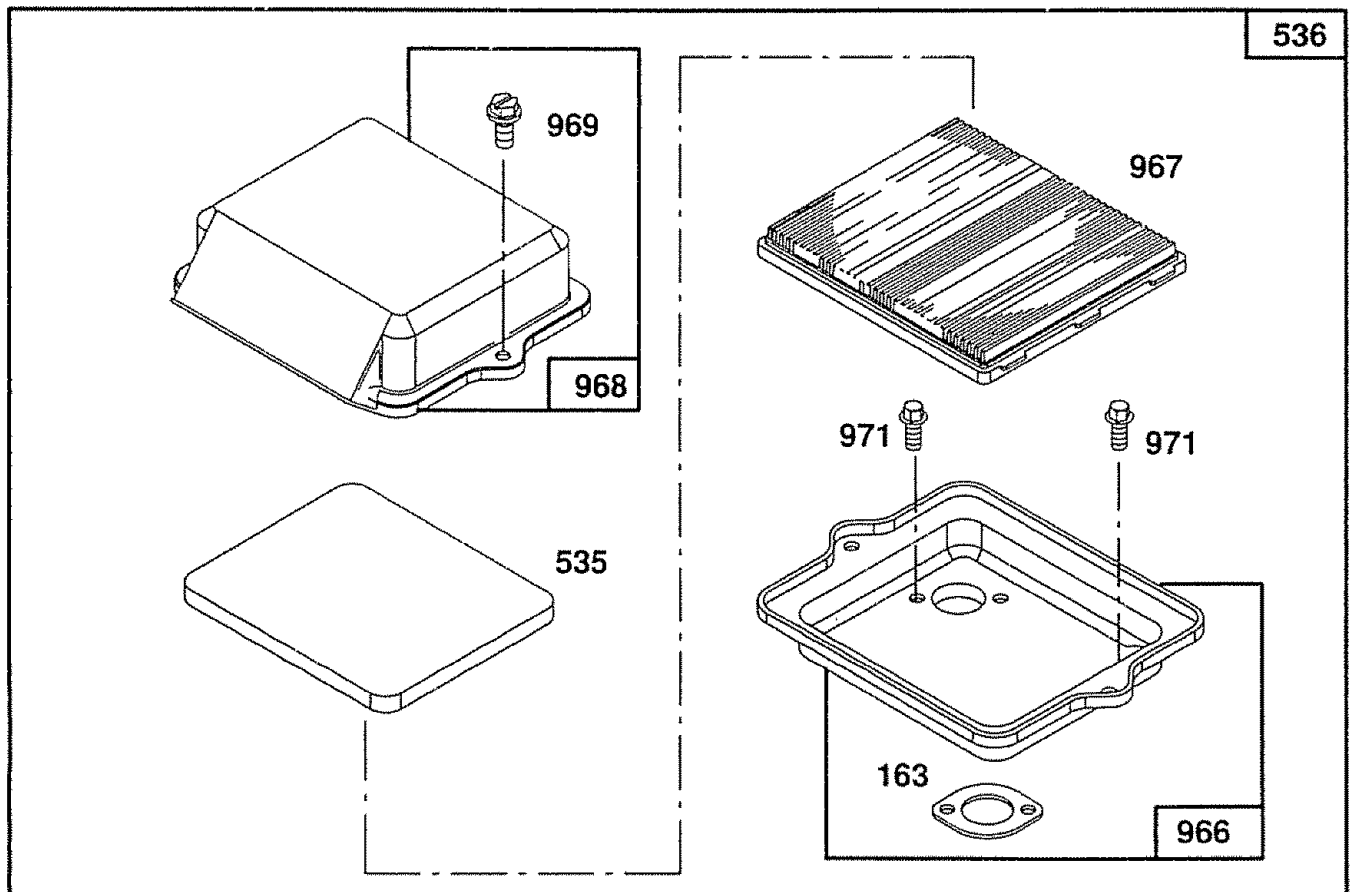
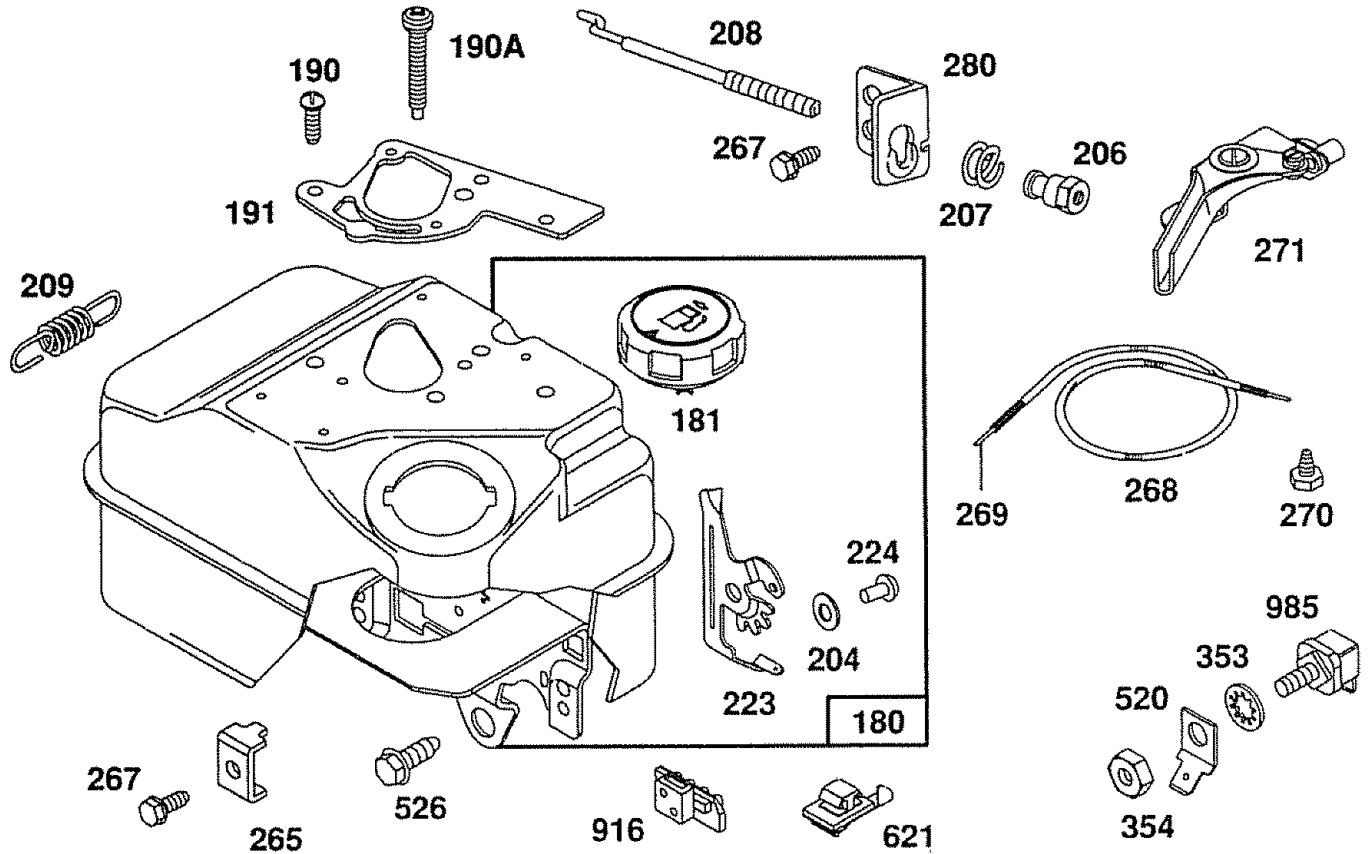
**REPAIR PARTS**





**CRAFTSMAN 1800 PSI HIGH PRESSURE WASHER 580.751510  
BRIGGS & STRATTON 4-CYCLE ENGINE 133212-0159-01**

**REPAIR PARTS**





**CRAFTSMAN 1800 PSI HIGH PRESSURE WASHER 580.751510  
BRIGGS & STRATTON 4-CYCLE ENGINE 133212-0159-01**

**REPAIR PARTS**

Ref. No.	Part No.	Part Name	Ref. No.	Part No.	Part Name
1	495133	Cylinder Assembly	163	*271935	Air Cleaner Mounting Gasket
3	*299819	Oil Seal	180	495405	Fuel Tank Assembly
5	214040	Cylinder Head	181	494559	Fuel Tank Cap
7	*272157	Cylinder Head Gasket	187	231068	Fuel Pipe
8	294178	Breather - Valve Chamber	190	94712	Screw - Sem
9	*27459	Valve Cover Gasket	190A	94677	Screw - Sem
10	94621	Screw - Breather Mounting Sem	191	‡272489	Fuel Tank Mounting Gasket
11	66578	Breather Tube Grommet	201	262280	Governor Link
12	*270080		202	262270	Throttle Link
13	94221	Cylinder Head Screw — 2-3/32"	203	280720	Bell Crank
13A	94733	Cylinder Head Stud	204	222962	Control Lever Bushing
14	94679	Cylinder Head Screw	205	231520	Shoulder Screw
15	94387	Oil Drain Plug (magnetic)	206	94081	Stop Nut
16	495645	Crankshaft	207	26855	Control Rod Spring
		NOTE: To replace crankshaft pin, order Part No. 230978	208	262323	Speed Control Rod
17	494874	Ball Bearing (PTO side)	209	262282	Governor Spring
18	495641	Crankcase Cover Assembly	216	262359	Choke Link
19	495660	Bushing — Oil Seal	217	262281	Choke Spring
20	*495307	Oil Seal	219	391737	Governor Gear
21	66768	Oil Filler Plug	220	221551	Thrust Washer
22	94682	Hex Head Screw	222	490649	Control Bracket
23	297229	Flywheel	223	223455	Governor Control Lever
24	222698	Flywheel Key	224	93491	Governor Control Lever Rivet
25	393819	Piston Assembly	227	490374	Governor Lever Assembly
26	399067	Ring Set	230	222450	Governor Lever Washer
27	26026	Piston Pin Lock	232	262310	Return Spring
28	298909	Piston Pin Assembly	256	223813	Bell Crank
29	299430	Connecting Rod Assembly	265	221535	Casing Clamp
30	221890	Connecting Rod Dipper	267	93496	Screw
32	94745	Connecting Rod Screw	268	66986	Control Wire Casing — 48" long If longer casing is needed, specify length in inches; if shorter casing is needed, order No. 66986 and cut to required length.
33	262464	Exhaust Valve	269	26099	Control Wire
34	261044	Intake Valve	270	63426	Casing Locknut
35	260552	Intake Valve Spring	271	290568	Control Lever
36	262750	Exhaust Valve Spring	280	223798	Control Rod Bracket
37	222443	Flywheel Guard	300A	393615	Exhaust Muffler.
40	93312	Valve Spring Retainer	304	495795	Blower Housing
41	491442	Retainer Valve	305	94619	Blower Housing Mounting Screw
45	260642	Valve Tappet	306	224820	Cylinder Shield
46	212733	Cam Gear	308	224738	Cylinder Head Cover
52	* ‡271936	Carburetor Mounting Gasket	332	92284	Flywheel Nut
55	494846	Rewind Starting Housing	333	397358	Armature Assembly
56	493824	Rewind Starter Pulley	334	93613	Sem Screw
57	262594	Rewind Starter Spring	335	93414	Armature Mounting Screw
58	280406	Rewind Starter Rope (cut to length)	337	492167	Spark Plug — 1-7/8" high, 48mm
59	396892	Starter Handle Insert	346	94680	Screw
60	393152	Rewind Starter Handle	346A	93705	Screw
65	94686	Housing Mounting Screw	353	92791	Lock Washer
69	280973	Washer	354	90576	Hex Nut
69A	224322	Washer	356	398808	Ground Wire
73	224633	Rotating Screen	358	495603	Gasket Set
75	224061	Flywheel Washer	363	19069	Flywheel Puller
81	222263	Screw Lock	373	92987	Hex Nut
90	495426	Carburetor Assembly	392	262328	Diaphragm Spring
95	93499	Throttle-Valve-to-Shaft Screw	394	‡272538	Diaphragm
96	223793	Carburetor Throttle			
97	490048	Throttle Shaft and Lever			
108	491177	Choke Valve Group			
118	231533	Needle Valve			
121	495606	Carburetor Kit			
124	94616	Hex Head Screw			
127	220352	Weich Plug			
127A	223789	Weich Plug (Mixing Chamber)			
149	26336	Needle Valve Spring			
152	260575	Throttle Adjustment Spring			
153	490589	Screw and Collar			
154	93527	Round Head Screw 5-40 x 5/8"			

\* Included in Gasket Set — Part No. 495603

‡ Included in Carburetor Kit — Part No. 495606



BRIGGS & STRATTON 4-CYCLE ENGINE 133212-0159-01

Ref. No.	Part No.	Part Name	Ref. No.	Part No.	Part Name
414	220982	Washer	616	231077	Governor Crank (1/4" dia.)
414A	221198	Washer	621	396847	Stop Switch
432	221377	Spring Cap	634	271853	Throttle Shaft Washer (foam)
433	93265	Diaphragm Cover Pin	635	66538	Spark Plug Elbow
434	214021	Diaphragm Cover	655	222598	Anchor Spring
435	93141	Diaphragm Cover Screw	670	261065	Armature Spacer
455	494770	Flywheel Cup	676A	395700	Exhaust Deflector
456	224321	Retainer Spring	679	270832	Washer (foam)
459	492883	Ratchet Pawl	680	221839	Washer (brass)
461	262626	Spring Pin	741	261696	Timing Gear (plain bearing)
467	280715	Control Knob	851	221798	Ignition Cable Terminal
515	262625	Spring	869	211787	Intake Valve Seat
520	93722	Terminal	870	211436	Exhaust Valve Seat
526	94659	Sem Screw	871	262001	Exhaust Valve Guide
527	223786	Breather Tube Clamp	883	272309	*Muffler Gasket
528	231550	Breather Tube	916	280321	Governor Gear Rack
		NOTE: 231550 — Breather Tube	966	492797	Air Cleaner Base
529	67838	Breather Tube Grommet	967	491588	Air Filter
535	491435	Air Filter	968	495357	Air Cleaner Cover
536	494279	Air Cleaner Assembly	969	490073	Cover Mounting Screw
542	93572	Screw	971	94018	Air Cleaner Screw
552	231079	Governor Crank Bushing	978	271736	*Cover Gasket
562	92613	Governor Lever Bolt	985	398525	Insulator
592	231082	No. 10-24 Hex Nut	987	398970	Throttle Shaft Seal
608	299406	Rewind Starter Assembly	1012	490507	Retainer Link
613A	93935	Hex Head Shoulder Screw	1016	490817	Spacer
614	93306	Hair Pin Cotter	1019	491100	Decal (label) Kit
615	93307	E-Ring Retainer			

**FULL ONE YEAR WARRANTY ON CRAFTSMAN HIGH PRESSURE WASHER**

For one year from the date of purchase, when this Craftsman High Pressure Washer is maintained and operated according to the instructions in the owner's manual, Sears will repair, free of charge, any defect in material and workmanship.

If this washer is used for commercial purposes, this warranty applies for only 90 days from the date of purchase. If this high pressure washer is used for rental purposes, this warranty applies for only 30 days after date of purchase.

**FULL TWO YEAR WARRANTY ON GASOLINE ENGINE**

For two years from the date of purchase, when this gasoline engine is maintained and operated according to the instructions in the owner's manual, Sears will repair, free of charge, any defect in material and workmanship.

If the Gasoline Engine is used for commercial or rental purposes, this warranty applies for only one year from the date of purchase.

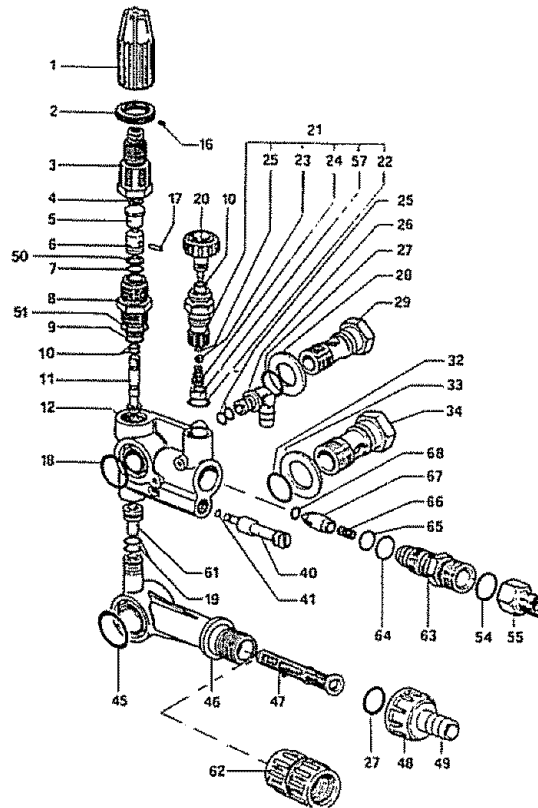
This warranty does not cover:

- Expendable items such as spark plugs and air filters, which become worn during normal use.
- Repairs necessary because of operator abuse or negligence, including damage resulting from no water being supplied to pump or failure to maintain the equipment according to the instructions contained in the owner's manual.

WARRANTY SERVICE IS AVAILABLE BY RETURNING THE HIGH PRESSURE WASHER TO THE NEAREST SEARS SERVICE CENTER/DEPARTMENT THROUGHOUT THE UNITED STATES.

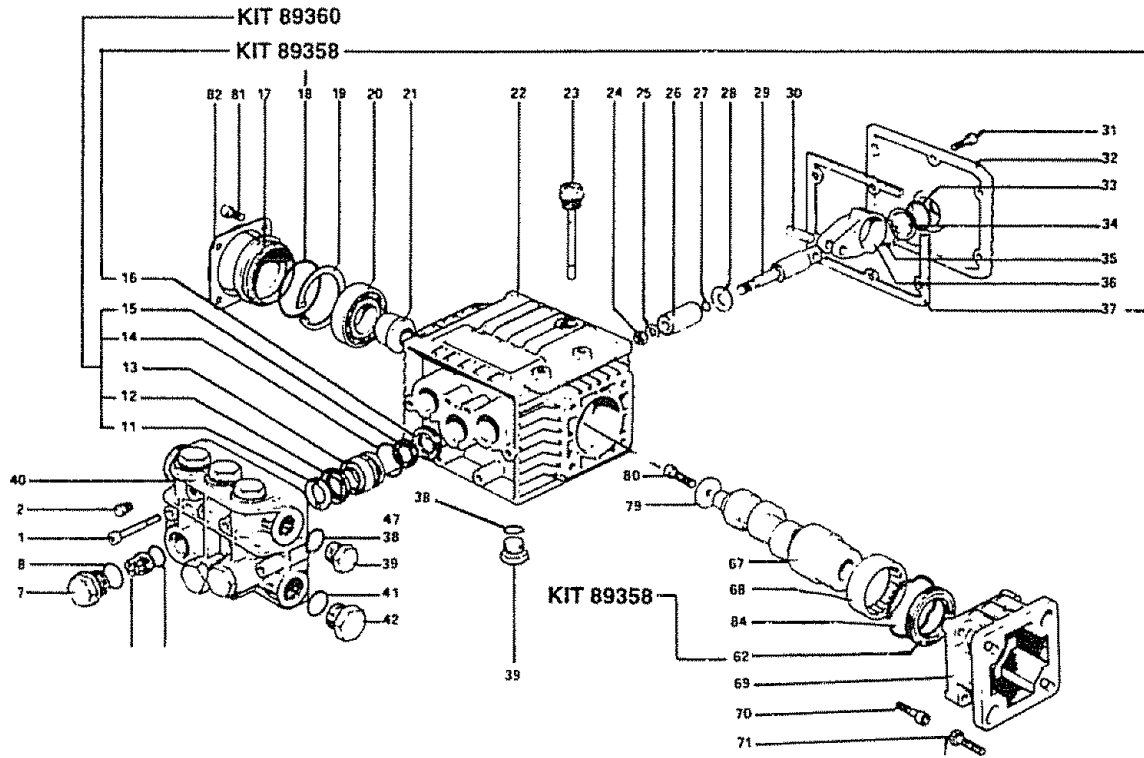
This warranty gives you specific legal rights and you may also have other rights, which vary from state to state.

SEARS, ROEBUCK AND CO., D/817 WA, Hoffman Estates, IL 60179



ITEM	KIT PART NO.	DESCRIPTION	ITEM	KIT PART NO.	DESCRIPTION
1	96737	Pressure Reglulator Knob	29	89361	3/8" Fitting
2	96738	Ring Nut	32	89361	O-ring
3	96739	Spring Guide	33	_____	Washer
4	_____	Spring	34	_____	1/2" Fitting
5	_____	Plate	40	_____	Pin
6	_____	Upper Piston	41	89361	O-ring
7	_____	O-ring	45	89361	O-ring
8	_____	Piston Guide	46	89646	Suction Connector
9	89361	O-ring	47	89361	Inlet Filter
10	89361	O-ring	48	_____	Hose Connector
11	_____	Lower Piston	49	_____	Hose Connector
12	_____	Combiset Body	50	89361	O-ring
16	96740	Set Screw (2 req.)	51	89361	O-ring
17	_____	Pin	54	_____	O-ring
18	_____	O-ring	55	89361	Outlet Connector
19	_____	O-ring	57	89361	Gauge Valve
20	96741	Knob	61	89361	Valve Seat
21	_____	Detergent Check Valve	62	89361	Connector
22	89361	O-ring	63	_____	Detergent Injector
23	89361	Stainless Steel Ball	64	89361	O-ring
24	89361	Valve Spring	65	89361	O-ring
25	89361	O-ring	66	_____	Spring
26	_____	Detergent Fitting	67	_____	Trap Valve
27	89361	O-ring	68	_____	O-ring
28	_____	Washer			

IF YOU NEED TO REPLACE A PART NOT INCLUDED IN A KIT OR HAS NO PART NUMBER LISTED, YOU MUST REPLACE THE ENTIRE PUMP.



ITEM	KIT PART NO.	DESCRIPTION	ITEM	KIT PART NO.	DESCRIPTION
1	96742	M6 x 60mm Head Bolt (6 req.)	30		Pin (3 req.)
2		1/8" Plug [optional] (1 req.)	31		M5 x 20mm Cover Screw (6 req.)
7		Inlet/outlet Valve Cap (6 req.)	32		Cover (1 req.)
8		Valve Cap O-ring (6 req.)	33		O-ring (1 req.)
9		Inlet/outlet Valve (6 req.)	34		Seal (1 req.)
10		Inlet/outlet Valve O-ring (6 req.)	35		Seal (1 req.)
11	89360	Water Seal (3 req.)	36		Connecting Rod Cap (3 req.)
12	89360	Water Seal (3 req.)	37	89358	Cover Gasket (3 req.)
13	89360	Piston Guide (3 req.)	38		O-ring (3 req.)
14	89360	O-ring (3 req.)	39		Drain Plug (2 req.)
15	89360	Water Seal (3 req.)	40		Pump Head (1 req.)
16	89358	Oil Seal (3 req.)	41		O-ring (1 req.)
17		Crankshaft Bearing End Cap (1 req.)	42		Cap (1 req.)
18	89358	O-ring (1 req.)	62	89358	Seal (1 req.)
19		Snap Ring (1 req.)	67		Crankshaft (1 req.)
20		Crankshaft Bearing (1 req.)	68		Bearing (1 req.)
21		Crankshaft spacer (1 req.)	69		Pump Mounting Flange (1 req.)
22	96743	Pump Body (1 req.)	70		M6 x 16mm Flanged Bolts (1 req.)
23	94505	Oil Dipstick (1 req.)	71		5/16"-24 x 3/4" Bolts (4 req.)
24		M8 Nut (3 req.)	79		Spacer (1 req.)
25		M8 Washer (3 req.)	80		M6 x 25mm Screw (1 req.)
26		Piston (3 req.)	81		M6 x 12mm Screw (4 req.)
27		O-ring (3 req.)	82		Cover (1 req.)
28		Spacer (3 req.)	84		Retaining Ring (1 req.)
29		Connecting Rod (3 req.)			

IF YOU NEED TO REPLACE A PART NOT INCLUDED IN A KIT OR HAS NO PART NUMBER LISTED, YOU MUST REPLACE THE ENTIRE PUMP.

# SEARS

## OWNER'S MANUAL

**MODEL NO.**

**580.751510**

### IF YOU NEED REPAIR SERVICE OR PARTS

FOR REPAIR SERVICE CALL  
THIS TOLL FREE NUMBER

**1-800-4-REPAIR**

(1-800-473-7247)

FOR REPLACEMENT PARTS  
INFORMATION AND ORDERING,  
CALL THIS TOLL FREE NUMBER:

**1-800-FON-PART**

(1-800-366-7278)

# CRAFTSMAN®

**5 HORSEPOWER**

**1800 PSI 2.5 GPM**

**HIGH PRESSURE WASHER**

Each High Pressure Washer has its own model number. Each engine has its own part number.

The model number for your pressure washer will be found on a decal attached to the unit.

The part number for your engine will be found in the parts list.

All parts listed herein may be ordered through Sears, Roebuck and Co. Service Centers and most Retail Stores.

#### WHEN ORDERING REPAIR PARTS, ALWAYS GIVE THE FOLLOWING INFORMATION:

- **PRODUCT --- HIGH PRESSURE WASHER**
- **MODEL NUMBER --- 580.751510**
- **ENGINE MODEL NUMBER --- 133212-0159-01**
- **PART NUMBER**
- **PART DESCRIPTION**

Your Sears merchandise has added value when you consider that Sears has service units nationwide staffed with Sears trained technicians...professional technicians specifically trained on Sears products, having the parts, tools and the equipment to ensure that we meet our pledge to you, we service what we sell.

---

**SEARS, ROEBUCK and CO., Hoffman Estates, IL 60179 U.S.A.**

---