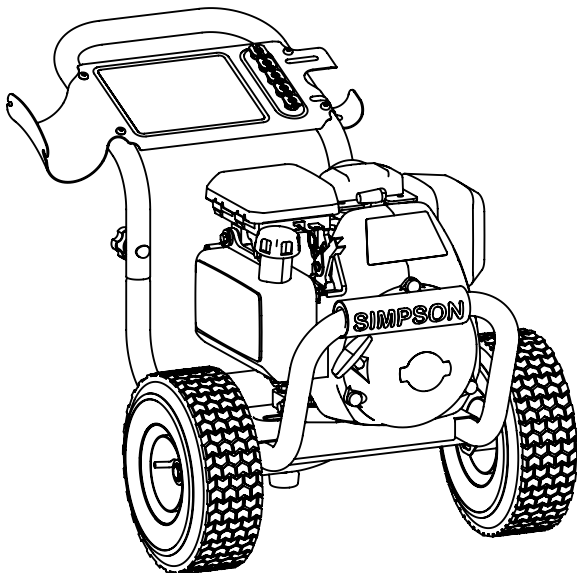


ITEM	PART NO.	DESCRIPTION	QTY
1	7104990	FRAME, BASE ASSY BLACK	1
2	7105471	HANDLE, SERVICE ASSEMBLY MS31025	1
† 2.1		HANDLE, REAR 18GA. 11.75" C-C BLACK	1
† 2.2		PLATE, DASHBOARD SILVER W/LABEL	1
† 2.3		NOZZLE HOLDER, 5PC RUBBER	1
† 2.4		SCREW, TORX PANHEAD 1/4"-20 x 3/4"	4
3	7107312	ENGINE SERVICE ASSEMBLY HONDA GC190	1
4	7104174	KEY, SHAFT 3/16" x 3/16" x 1 1/4"	1
¶ 5	7107656	PUMP, SERVICE ASSEMBLY MS31025H	1
† 5.1	520002	PUMP, 3100@2.4 HORIZ-AXIAL P/BOOST BRASS	1
† 5.2		CAP, UNLOADER COVER 1 1/2" x 5/8" BLACK	1
† 5.3		BOLT 5/16"-24 x 1" HHCS GR5	4
† 5.4		WASHER, SPLIT-LOCK 5/16" RUST RESISTANT	4
6	7105013	WHEEL, SERVICE KIT	1
† 6.1		POWER WASHER WHEEL, 4" x 10" BLK W/ 5/8" BRG	2
† 6.2		WASHER, 5/8" FLAT	2
† 6.3		CLIP, E-TYPE 0.625" x 0.042"	2
7	7103292	KIT, 5/8" TALL FOOT	2
† 7.1		FOOT, RUBBER 1.5"ODx.625"-5/16 INSERT	1
† 7.2	7103264	SCREW, TORX PANHEAD 1/4"-20 x 3/4"	1
8	7103750	MOUNTING KIT, ENGINE	1
† 8.1		BOLT, FLANGE 5/16"-18 x 1 3/4" HHFB	4
† 8.2		NUT, WHIZ 5/16"-18	4
9	7105474	HARDWARE KIT, PUMP MOUNTING	1
† 9.1		BOLT 5/16"-24 x 1" HHCS GR5	4
† 9.2		WASHER, SPLIT-LOCK 5/16" RUST RESISTANT	4
10	7104570	HARDWARE KIT, HANDLE MOUNTING	2
† 10.1		BOLT, SADDLE 5/16"-18 x 2"	1
† 10.2		KNOB, HANDLE 5/16-18	1
11	7104818	NOZZLE KIT, 2.8 5PC	1
12	7105186	HANDLE GRIP, SILVER	1
13	7106275	TRIGGER SPRAY GUN 4500PSI @ 6.6GPM M22(M) x M22(F)	1
14	7103550	LANCE, 16" W/ 1/4" QC-F x M22(M)	1
15	7106419	HOSE, MORFLEX 1/4" x 25' x 3100PSI M22(M) x M22(F)	1
16	7102207	SOAP HOSE AND FILTER KIT	1
* 17	7102045	TOOL, NOZZLE CLEANING, UNIVERSAL	1
* 18	7104994	MANUAL, MSH31025 MODEL SPECIFIC OPERATOR'S	1
* 19	7106397	BOX, MS31025 MODEL SPECIFIC SHIPPING	1

* NOT SHOWN

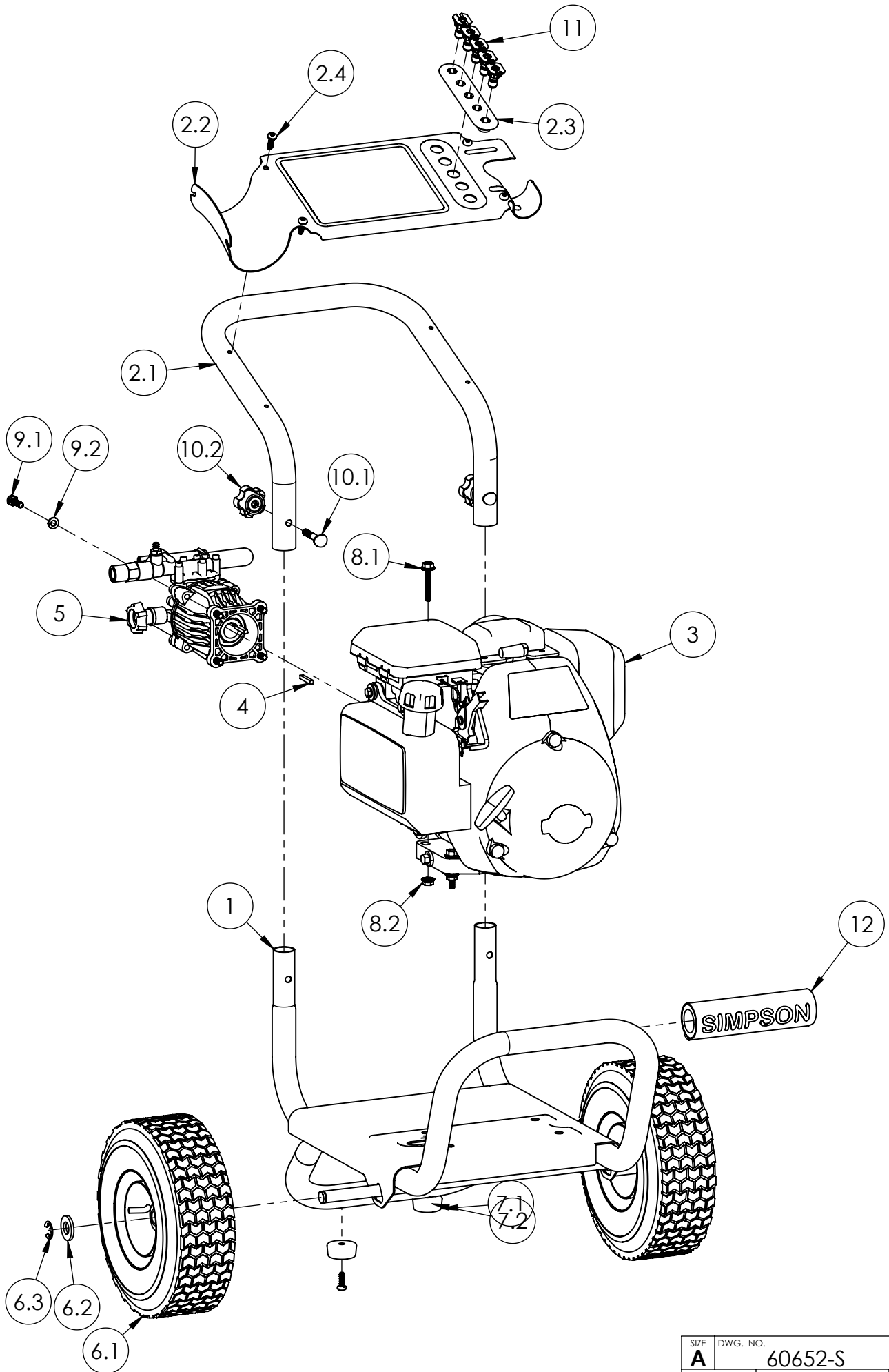
† NOT SOLD SEPERATELY



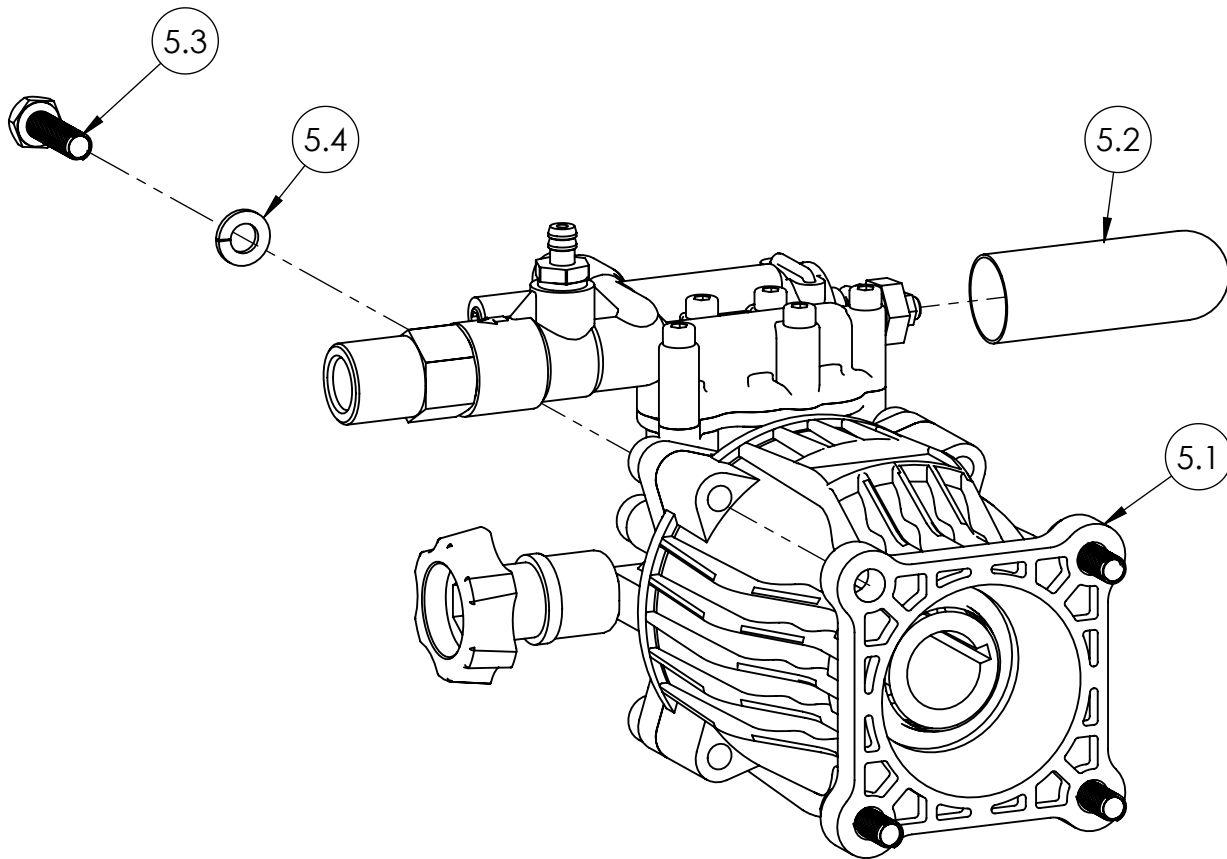
PUMP INFORMATION TABLE			
MACHINE SERIAL NO.	PUMP TYPE	PUMP PART NO.	PUMP KIT NO.
142431 TO PRESENT	3100PSI @ 2.4GPM	520002	7107656

ONLY THE LATEST VERSION OF THE PUMP IS AVAILABLE FOR REPLACEMENT

NAME		DATE	FNA-GROUP	
DRAWN	TV	4/14/2014	1265 INDUSTRIAL STREET, DECATUR, AR 72722	
CHECKED	M.G.	4/22/2014	TITLE:	
ENG APPR.	S.A.C.	5/2/2014	MS31025HT 3100PSI @	
MFG APPR.	-	-	2.5GPM SIMPSON	
Q.A. APPR.	J.C.	5/12/2014	SIZE	DWG. NO.
SERVICE APPR.	D.H.	4/17/2014	A	60652-S
PROPRIETARY AND CONFIDENTIAL THE INFORMATION CONTAINED IN THIS DRAWING IS THE SOLE PROPERTY OF FNA-GROUP. ANY REPRODUCTION IN PART OR AS A WHOLE WITHOUT THE WRITTEN PERMISSION OF FNA-GROUP IS PROHIBITED.			SCALE:	N/A
			ECN#	DC14-0100
			SHEET	1 OF 9
			REV.	A



SIZE	DWG. NO.	REV.
A	60652-S	A
SCALE: N/A	ECN# DC14-0100	SHEET 2 OF 9

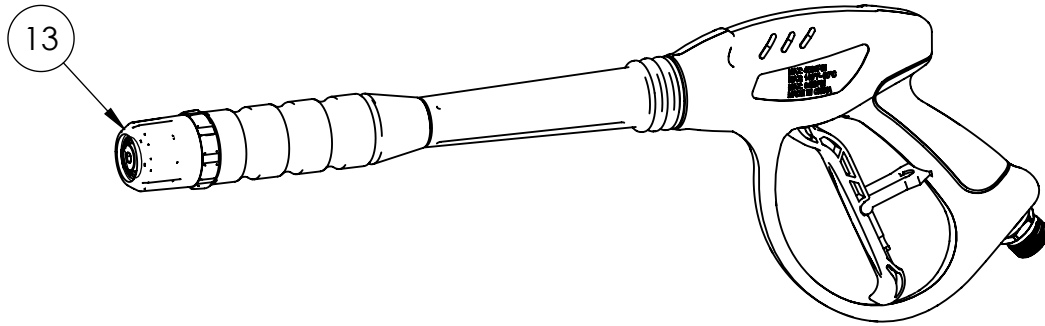


PUMP, SERVICE ASSEMBLY MS31025H
PART NO. 7107656

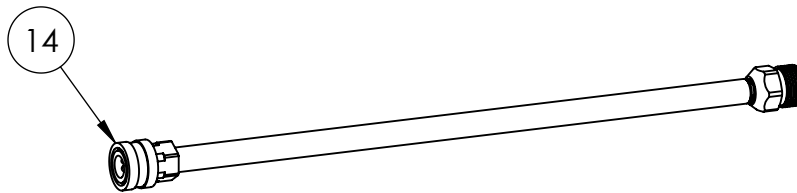
ITEM	PART NO.	DESCRIPTION	QTY
5.1	520002	PUMP, 3100@2.4 HORIZ-AXIAL P/BOOST BRASS	1
5.2		CAP, UNLOADER COVER 1 1/2" x 5/8" BLACK	1
5.3		BOLT 5/16"-24 x 1" HHCS GR5	4
5.4		WASHER, SPLIT-LOCK 5/16" RUST RESISTANT	4
* 4	7104174	KEY, SHAFT 3/16" x 3/16" x 1 1/4"	1

* NOT SHOWN

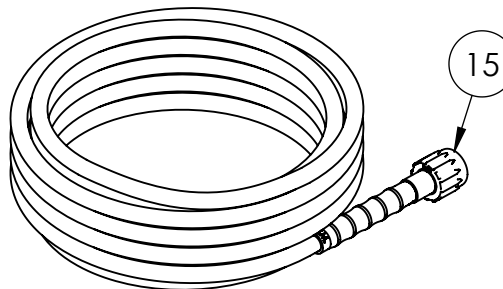
SIZE A	DWG. NO. 60652-S	REV. A
SCALE: N/A	ECN# DC14-0100	SHEET 3 OF 9



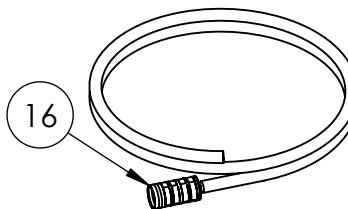
GUN 4500PSI @ 6.6GPM M22(M) x M22(F)
PART NO. 7106275



LANCE, 16" W/ 1/4" QC-F x M22(M)
PART NO. 7103550



HOSE, MORFLEX 1/4" x 25' x 3100PSI M22 x M22
PART NO. 7106419



SOAP HOSE & FILTER KIT
PART NO. 7102207

SIZE A	DWG. NO. 60652-S	REV. A
SCALE: N/A	ECN# DC14-0100	SHEET 4 OF 9