

NOTE

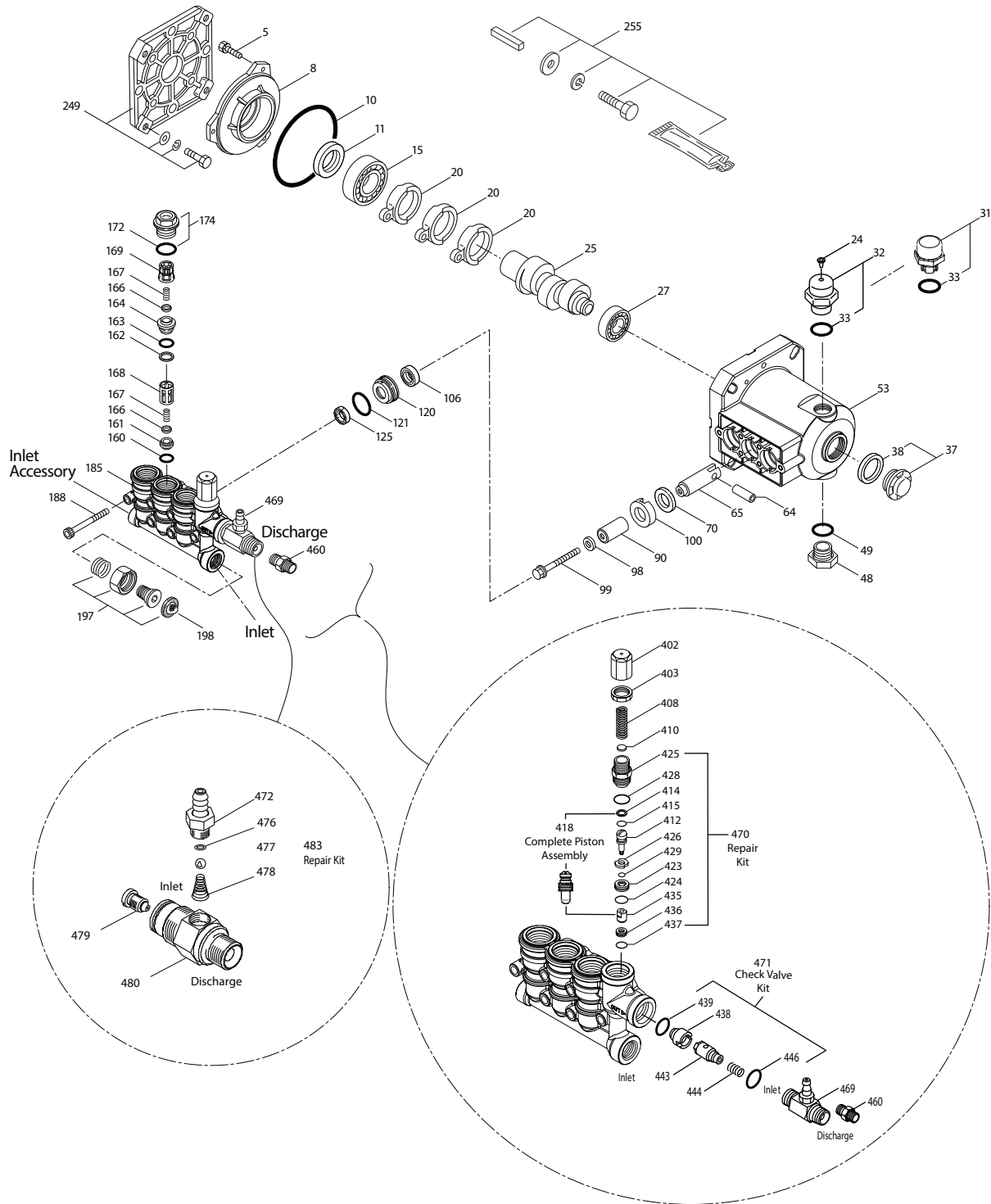
- FRAME ASSEMBLY: (1, 38, 41, 51, 52, 54, 58, 75)
- ENGINE/MOUNT ASSEMBLY: (55 - 59, 65, 47 - 49)
- PUMP ASSEMBLY: (23, 43 - 46, 50, 57, 62, 63)
- ALTERNATOR/MOUNT ASSEMBLY: (57, 60, 64)
- BELT GUARD ASSEMBLY: (51 - 54, 57, 61)
- COIL ASSEMBLY ASSEMBLY: (10 - 27, 42, 57, 65)
- BURNER ASSEMBLY: (4, 5, 7 - 9, 65, 69)
- FUEL TANK ASSEMBLY: (57, 66 - 73)
- HEAT SHIELD ASSEMBLY: (36, 38 - 40)
- BATTERY HOLD DOWN ASSEMBLY: (65, 74 - 80)

| | NAME | DATE |
|---------------|------|------------|
| DRAWN | M.K. | 11/08/2016 |
| CHECKED | B.D. | 11/08/2016 |
| ENG APPR. | A.G. | 11/08/2016 |
| MFG APPR. | - | - |
| Q.A. APPR. | - | - |
| SERVICE APPR. | D.H. | 11/08/2016 |

| | | |
|---|----------------|--------------|
| FNA-GROUP | | |
| 1265 INDUSTRIAL STREET, DECATUR, AR 72722 | | |
| TITLE: | | |
| KING BRUTE 65100 | | |
| SIZE | DWG. NO. | REV. |
| B | 65100 | A |
| SCALE: N/A | ECN# DC16-0311 | SHEET 1 OF 1 |

PROPRIETARY AND CONFIDENTIAL
 THE INFORMATION CONTAINED IN THIS DRAWING IS THE SOLE PROPERTY OF FNA-GROUP. ANY REPRODUCTION IN PART OR AS A WHOLE WITHOUT THE WRITTEN PERMISSION OF FNA-GROUP IS PROHIBITED.

4DNX25GSI_E EXPLODED VIEW

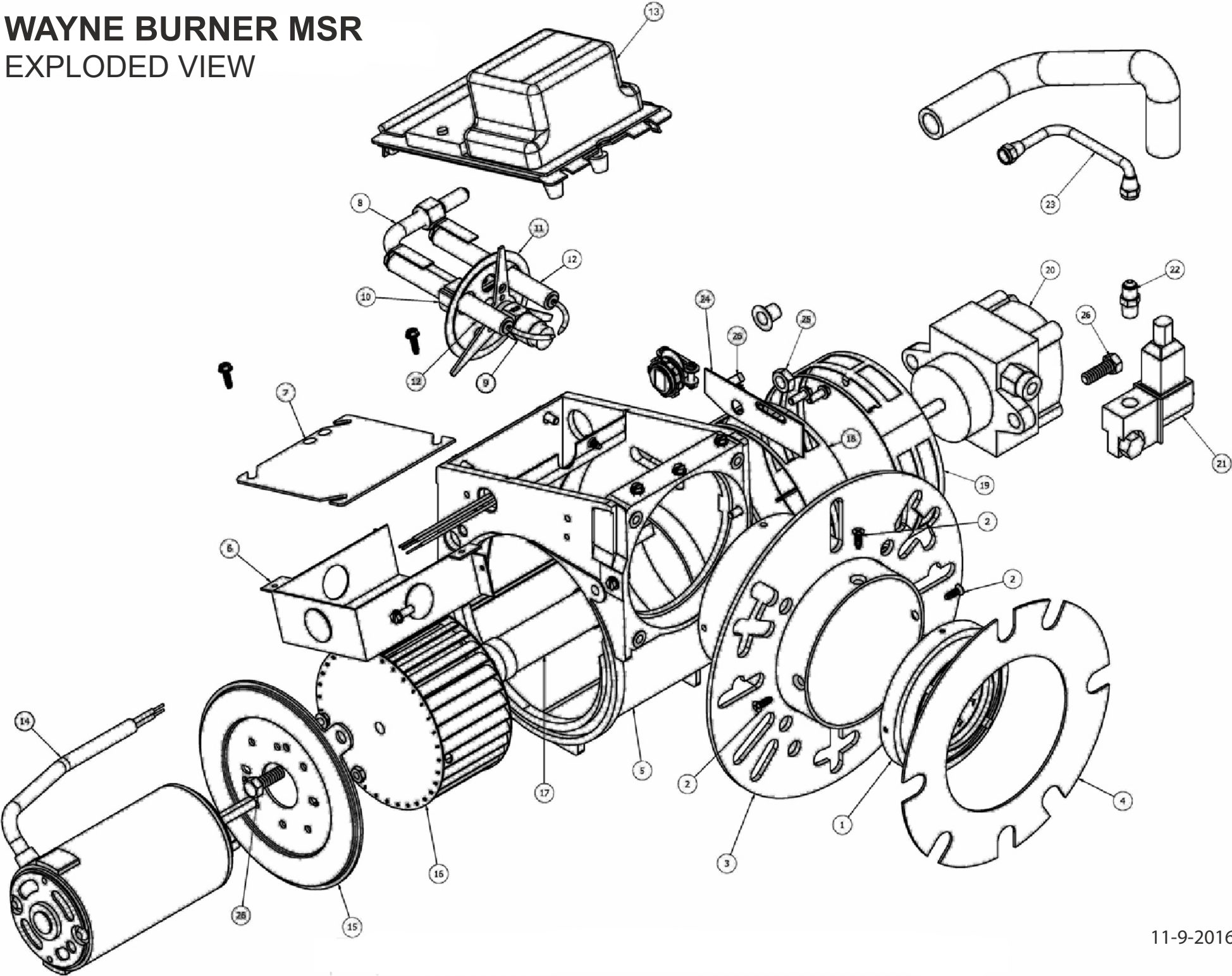


Parts List

| ITEM | PART | DESCRIPTION | QTY. | ITEM | PART | DESCRIPTION | QTY. |
|------|---------|--|------|------|---------|---|------|
| 5 | 7103819 | SCREW HH SEMS (M6 X14) | 3 | 412 | N/A | STEM, PISTON | 1 |
| 8 | 7103820 | COVER, BEARING | 1 | 414 | N/A | BACK-UP RING, PISTON STEM | 1 |
| 10 | 7102614 | O-RING, BEARING COVER 70D | 1 | 415 | N/A | O-RING, PISTON STEM - 70D | 1 |
| 11 | 7102813 | SEAL, OIL 70D | 1 | 423 | N/A | RETAINER, VALVE | 1 |
| 15 | 7102624 | BEARING, BALL INNER | 1 | 424 | N/A | O-RING, VALVE RETAINER (OUTER) - 70D | 1 |
| 20 | 7103824 | ROD, CONNECTING | 3 | 425 | N/A | RETAINER, PISTON | 1 |
| 24 | 7106430 | PLUG, OIL CAP | 1 | 426 | N/A | WASHER | 1 |
| 25 | 7103826 | CRANKSHAFT, 3450 RPM, 3/4" 6.8MM STROKE | 1 | 428 | N/A | O-RING, PISTON RETAINER - 80D | 1 |
| 25 | 7105354 | CRANKSHAFT, 3450 RPM, 3/4" 6.3MM STROKE | 1 | 429 | N/A | O-RING, VALVE RETAINER (INNER) - 80D | 1 |
| 27 | 7103828 | BEARING, BALL INNER | 1 | 435 | N/A | VALVE | 1 |
| 32 | 7102604 | CAP, OIL FILLER WITH O-RING | 1 | 436 | 7103846 | SEAT | 1 |
| 33 | 7102617 | O-RING, OIL FILL CAP | 1 | 437 | N/A | O-RING SEAT - 70D | 1 |
| 37 | 7103056 | GAUGE, OIL BUBBLE WITH GASKET | 1 | 438 | 7101617 | SEAT | 1 |
| 38 | 7102970 | GASKET, FLATOIL GAUGE | 1 | 439 | N/A | O-RING, CHECK VALVE SEAT 70D | 1 |
| 48 | 7102787 | PLUG, DRAIN | 1 | 443 | N/A | VALVE, CHECK | 1 |
| 49 | 7102617 | O-RING, DRAIN PLUG | 1 | 444 | 7103048 | SPRING, CHECK VALVE | 1 |
| 53 | 7106425 | CRANKCASE | 1 | 446 | 7103851 | O-RING BODY - 80D | 1 |
| 64 | 7103830 | PIN, CROSSHEAD | 3 | 468 | 7103541 | KIT, O-RING | 1 |
| 65 | 7103831 | ROD, PLUNGER | 3 | 469 | 7101616 | INJECTOR, FIXED CHEMICAL | 1 |
| 70 | 7102804 | SEAL, OIL CRANKCASE. 70D | 3 | 470 | 7106435 | KIT, REPAIR (412, 414, 415, 423-426, 428, 429, 435-437) | 1 |
| 90 | 7103524 | PLUNGER CERAMIC | 3 | 471 | 7106436 | KIT, REPAIR (438, 439, 443, 444, 446) | 1 |
| 98 | 7101703 | WASHER, SEAL | 3 | | | | |
| 99 | 7103833 | RETAINER, PLUNGER (M6 X 35) | 3 | | | | |
| 100 | 7102925 | RETAINER SEAL | 3 | | | | |
| 106 | N/A | SEAL, LPS WITH S-Spqq | 3 | | | | |
| 120 | 7106427 | CASE, SEAL | 3 | | | | |
| 121 | 7102610 | O-RING, SEAL CASE | 3 | | | | |
| 125 | 7106428 | SEAL, HPS | 3 | | | | |
| 160 | N/A | O-RING, INLET SEAT | 3 | | | | |
| 161 | N/A | SEAT, INLET | 3 | | | | |
| 162 | 7102945 | BACK-UP-RING, DISCHARGE SEAT | 3 | | | | |
| 163 | 7102946 | O-RING, DISCHARGE SEAT, 70D | 3 | | | | |
| 164 | N/A | SEAT, DISCHARGE | 3 | | | | |
| 166 | N/A | VALVE | 6 | | | | |
| 167 | 7102923 | SPRING | 6 | | | | |
| 168 | 7102812 | RETAINER, SPRING, INLET | 3 | | | | |
| 169 | N/A | RETAINER, SPRING, DISCHARGE | 3 | | | | |
| 172 | N/A | O-RING, VALVE PLUG - 90D | 3 | | | | |
| 174 | 7106429 | PLUG, VALVE WITH O-RING | 3 | | | | |
| 185 | 7106430 | HEAD, MANIFOLD WITH INTEGRAL REGULATORY BODY | 1 | | | | |
| 188 | 7106431 | SCREW | 6 | | | | |
| 197 | 7103839 | ASSY, GH, 3/8" | 1 | | | | |
| 198 | 7000123 | INLET SCREEN FILTER W/GASKET | 1 | | | | |
| 249 | 7103840 | ASSY, ADAPTOR MOUNT | 1 | | | | |
| 255 | 7103841 | ASSY, BOLT MOUNT | 1 | | | | |
| 283 | 7106432 | KIT, OIL DRAIN | 1 | | | | |
| 300 | 7106433 | KIT, SEAL (98, 106, 121, 125) | 1 | | | | |
| 310 | 7106434 | KIT, VALVE (160-164, 166-169, 172) | 1 | | | | |
| 402 | 7103842 | CAP, ADJUSTING | 1 | | | | |
| 403 | 7103843 | NUT, LOCK (M18 X 1) | 1 | | | | |
| 408 | 7103544 | SPRING, PRESSURE | 1 | | | | |
| 410 | 7103845 | RETAINER, SPRING | 1 | | | | |

4DNX25GSI

WAYNE BURNER MSR EXPLODED VIEW



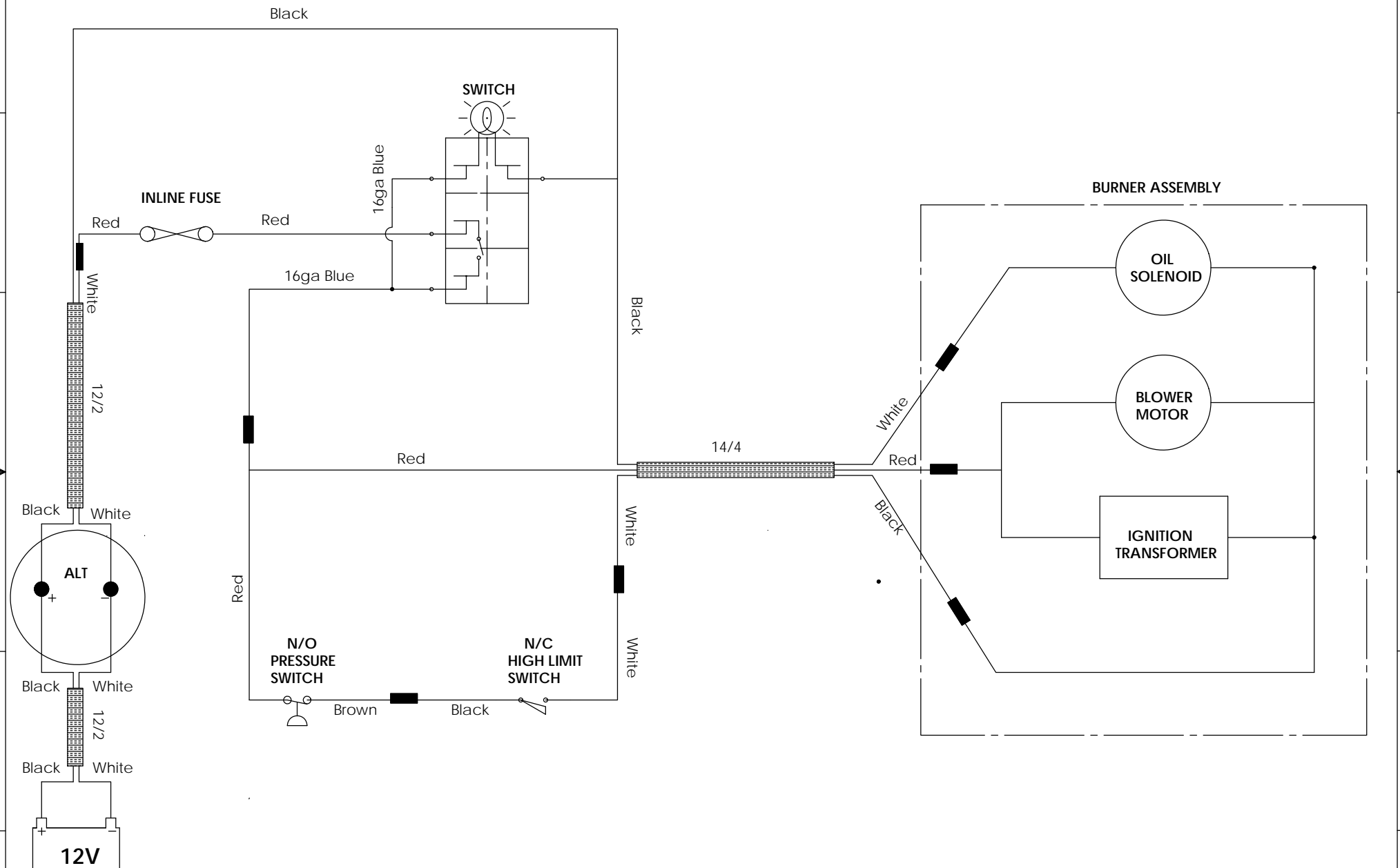
PARTS LIST

| ITEM | PART | DESCRIPTION | QTY. |
|------|---------|---------------------------------------|------|
| 1 | 7102735 | CONE, AIR #3A | 1 |
| 2 | N/A | SCREW-AIR CONE MOUNTING | 3 |
| 3 | N/A | TUBE, FLANGE ASSEMBLY | 1 |
| 4 | 7101781 | GASKET, FLANGE-STD LARGE | 1 |
| 5 | N/A | HOUSING ASM-M MACHD/PAINTED | 1 |
| 6 | N/A | J-BOX, 3" X 4" | 1 |
| 7 | N/A | COVER, J-BOX | 1 |
| 8 | 7102732 | GUN ASM-EHS/*1 1/4"BB | 1 |
| 9 | N/A | ADAPTOR, NOZZLE-W/LARGE SUPPORT | 1 |
| 10 | N/A | ELECTRODE SUPPORT KIT W/STABILIZER | 1 |
| 11 | N/A | DISC, STATIC 3" DIA-SOLID | 1 |
| 12 | 7101711 | KIT, ELECTRODE ASM PAIR | 1 |
| 13 | | IGNITOR | 1 |
| | 7101922 | 12V DC | |
| | 7101292 | 120V AC | |
| | 7106739 | 230V AC | |
| 14 | | MOTOR, BLOWER/OIL PUMP | 1 |
| | 7105399 | 12V DC | |
| | 7106410 | 120V AC | |
| | 7107097 | 230V AC | |
| 15 | N/A | SIDE PLATE, HOUSING-12VDC MOTOR | 1 |
| 16 | 7100331 | FAN-2.44"W X 4.53"D M 5/16" BORE | 1 |
| 17 | | MOTOR DRIVE COUPLING | 1 |
| | 7101521 | 12V DC | |
| | 7101521 | 120V AC | |
| | 7101521 | 230V AC | |
| 18 | N/A | BAND, AIR INNER-MOD M | 1 |
| 19 | N/A | BAND, AIR OUTER 8-HOLE MOD-M | 1 |
| 20 | 7101049 | PUMP, SUNTEC A2VA7116 3GPH 1STG | 1 |
| 21 | | OIL VALVE | 1 |
| | 7101164 | 12V DC | |
| | 7101349 | 120V AC | |
| | 7101350 | 230V AC | |
| 22 | N/A | CONNECTOR, MALE PUMP 3/16" X 1/8" IPT | 1 |
| 23 | N/A | OIL LINE ASSEMBLY-6" | 1 |
| 24 | N/A | PLATE, HOUSING SLOT COVER | 1 |
| 25 | N/A | NUT, GUN LOCK-HEX 3/8-24 CRZC | 1 |
| 26 | N/A | SCREW-MOTOR, PUMP, AIR BAND | 5 |

WAYNE - MSR BURNER

12V

| REV. | DESCRIPTION | REVISIONS | ECN | APPROVED | DATE |
|------|-----------------|-----------|-----------|------------|-----------|
| A | DRAWING RELEASE | | DC16-0311 | 11/08/2016 | 11/8/2016 |



| | | | | | | |
|-------------------------------|---------|---|------|---|--|------------|
| THIRD ANGLE PROJECTION | | NAME | DATE | FNA-GROUP 1265 INDUSTRIAL STREET, DECATUR, AR 72722 TITLE: KING BRUTE WIRING DIAGRAM | | |
| UNLESS OTHERWISE SPECIFIED: | | DRAWN | M.K. | | | 11/08/2016 |
| DIMENSIONS ARE IN INCHES (MM) | | CHECKED | B.D. | | | 11/08/2016 |
| TOLERANCES: | | ENG APPR | A.G. | | | 11/08/2016 |
| .X ± .1 [X ± 2.5] | | Q.A. APPR | - | | | - |
| .XX ± .03 [X ± 0.76] | | MFG APPR | - | - | | |
| .XXX ± .010 [XX ± 0.25] | | | | | | |
| FRACTIONAL: ± 1/32 #10.79 | | | | | | |
| ANGULAR: ± 1° RB1/2 ± 1° | | | | | | |
| ALL MACHINED SURFACES: √25 | | PROPRIETARY AND CONFIDENTIAL THE INFORMATION CONTAINED IN THIS DRAWING IS THE SOLE PROPERTY OF FNA-GROUP. ANY REPRODUCTION IN PART OR AS A WHOLE WITHOUT THE WRITTEN PERMISSION OF FNA-GROUP IS PROHIBITED. | | | | |
| NEXT ASSY | USED ON | INTERNET GEOMETRIC TOLERANCING PER ASME Y14.5M-1994 | | SIZE C DWG. NO. 65100 KING BRUTE REV A | | |
| APPLICATION | | DO NOT SCALE DRAWING | | WEIGHT: SCALE: 1:4 SHEET 1 OF 1 Version | | |