

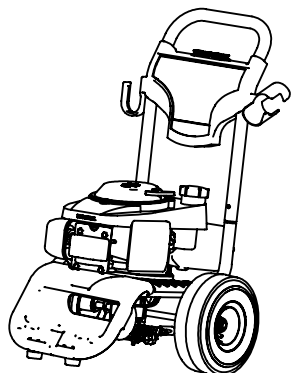
| ITEM | PART NO | DESCRIPTION | QTY. | |
|------|---------|---|--|---|
| 1 | 7105501 | FRAME BASE WELDMENT ASSEMBLY | 1 | |
| 2 | 7106897 | HANDLE, BONNET SERVICE ASSEMBLY WITH LABEL, RED | 1 | |
| † | | | | |
| 2.1 | | HANDLE, TUBE PAINTED RED | 1 | |
| † | | | | |
| 2.2 | 7106597 | BONNET SVC ASSEMBLY, WITH LABEL | 1 | |
| † | | | | |
| 2.3 | | SCREW, 1/4-20 PHILLIPS PAN HEAD ZINC PLATED | 2 | |
| † | | | | |
| 3 | 7106898 | ENGINE, SERVICE ASSEMBLY WITH LABELS | 1 | |
| † | | | | |
| 4 | 7104174 | KEY, SHAFT 3/16 SQ X 1-1/4 | 1 | |
| † | | | | |
| 5 | 7105466 | OEM PUMP SERVICE ASSEMBLY, 3000PSI @2.4GPM | 1 | |
| † | | | | |
| 5.1 | | OEM PUMP, 3000PSI @2.4GPM | 1 | |
| † | | | | |
| 5.2 | | CAP, UNLOADER COVER | 1 | |
| † | | | | |
| 5.3 | | BOLT, FLANGE, 5/16-18 | 3 | |
| † | | | | |
| 5.4 | | NUT, WHIZ, 5/16-18 | 3 | |
| † | | | | |
| 6 | 7105505 | SCOOP, TRIMMED AND SLOTTED | 1 | |
| † | | | | |
| 7 | 7102122 | BUTTON SNAP | 2 | |
| † | | | | |
| 8 | 7104682 | DISCONTINUED | 1 | |
| † | | | | |
| 8.1 | | SOAP TANK | 1 | |
| † | | | | |
| 8.2 | | CAP, SOAP TANK BLACK | 1 | |
| † | | | | |
| 8.3 | | SCREW, 1/4-20 TORX PANHEAD | 2 | |
| † | | | | |
| 9 | 7105013 | WHEEL, SERVICE KIT | 2 | |
| † | | | | |
| 9.1 | | WHEEL, 10 X 4 BLACK | 1 | |
| † | | | | |
| 9.2 | | WASHER, 5/8 FLAT | 1 | |
| † | | | | |
| 9.3 | | CLIP, E-TYPE 5/8" X 0.042 | 1 | |
| † | | | | |
| 10 | 7103292 | FOOT KIT, RUBBER FOOT & SCREW | 2 | |
| † | | | | |
| 10.1 | | RUBBER FOOT, 1.50IN X 0.625IN | 1 | |
| † | | | | |
| 10.2 | | SCREW, 1/4-20 TORX PANHEAD | 1 | |
| † | | | | |
| 11 | 7106904 | HARDWARE KIT, ENGINE/PUMP MOUNT | 1 | |
| † | | | | |
| 11.1 | | BOLT, FLANGE 5/16-18 | 3 | |
| † | | | | |
| 11.2 | | NUT, WHIZ 5/16-18 | 3 | |
| † | | | | |
| 12 | 7100389 | GROMMET, 7/16" RUBBER | 1 | |
| † | | | | |
| 13 | 7105649 | NOZZLE, SET 4 PC 2.5 | 1 | |
| † | | | | |
| 14 | 7104847 | GUN, 3000PSI M22(M) INLET, M22(F) OUTLET | 1 | |
| † | | | | |
| 15 | 7103550 | LANCE, 16IN 1/4QC, M22(M) | 1 | |
| † | | | | |
| 16 | 7105238 | HOSE, 3100PSI, 1/4 X 25' BLACK | 1 | |
| † | | | | |
| 17 | 7101682 | SOAP HOSE, 1/4 X 51IN | 1 | |
| † | | | | |
| 18 | 7102045 | TOOL, UNIVERSAL CLEANING NOZZLE | 1 | |
| * | | | | |
| * | 19 | 7104921 | MANUAL, OPERATOR'S M60601 MODEL SPECIFIC | 1 |
| * | 20 | 7104919 | BOX, SHIPPING MODEL SPECIFIC | 1 |

* NOT SHOWN

† NOT SOLD SEPARATELY

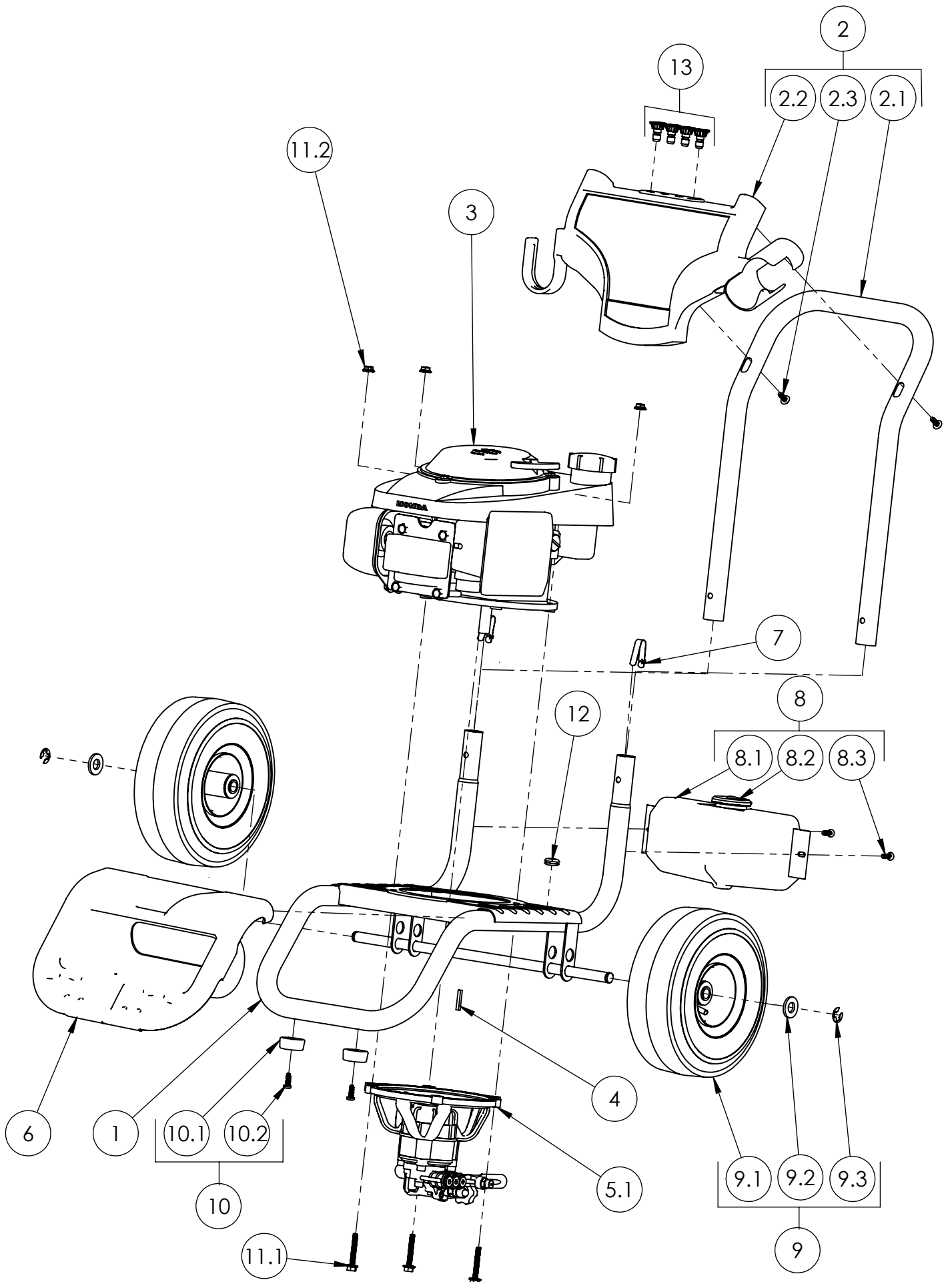
PUMP IDENTIFICATION TABLE

| MACHINE SERIAL NO. | PUMP TYPE | PUMP KIT NO. | PUMP PART NO. |
|--------------------|----------------|--------------|---------------|
| 300163-300363 | 2500PSI@2.0GPM | N/A | 7105575 |
| 300364-392620 | 2400PSI@2.0GPM | 7106905 | 7105646 |
| 392620-PRESENT | 3000PSI@2.4GPM | 7105466 | 510014 |

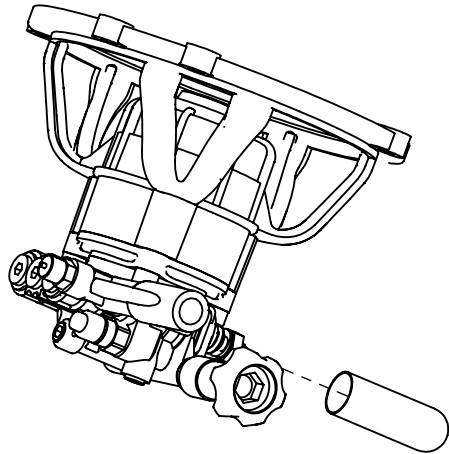


ONLY THE LATEST VERSION OF THE PUMP IS AVAILABLE FOR REPLACEMENT

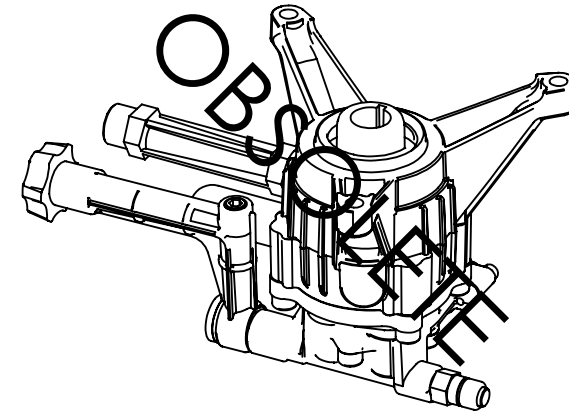
| NAME | | | DATE | | FNA-GROUP 1265 INDUSTRIAL STREET, DECATUR, AR 72722 TITLE: <h1>M60601</h1> |
|---|----------------|----------------|-----------|--------------|---|
| DRAWN | MAV | | 5/31/2013 | | |
| CHECKED | M.G. | | 6/03/2013 | | |
| ENG APPR. | JEW | | 6/03/2013 | | |
| MFG APPR. | | | | | |
| Q.A. APPR. | JEP | | 6/03/2013 | | |
| SERVICE APPR. | D.H. | | 5/31/2013 | | |
| PROPRIETARY AND CONFIDENTIAL THE INFORMATION CONTAINED IN THIS DRAWING IS THE SOLE PROPERTY OF FNA-GROUP. ANY REPRODUCTION IN PART OR AS A WHOLE WITHOUT THE WRITTEN PERMISSION OF FNA-GROUP IS PROHIBITED. | | | | | |
| SIZE | DWG. NO. | | | REV. | |
| A | 60601-S | | | B | |
| SCALE: N/A | | ECN# DC13-0143 | | SHEET 1 OF 7 | |



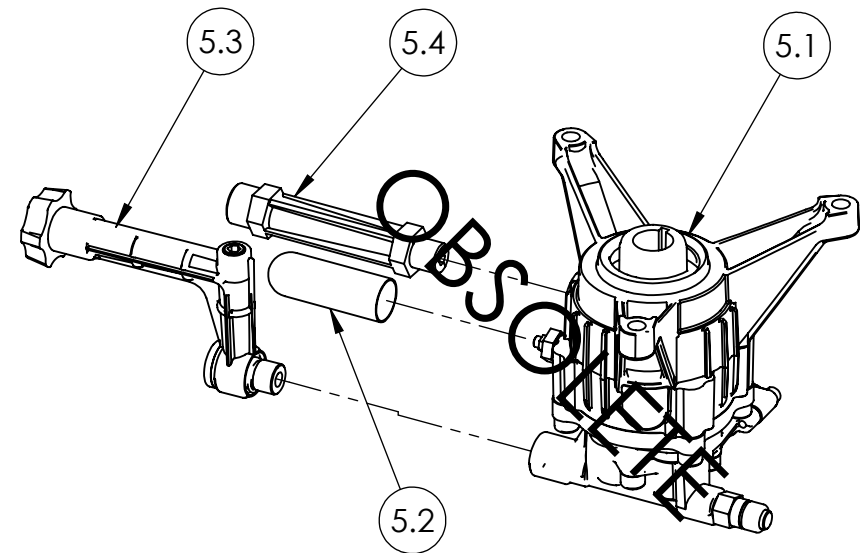
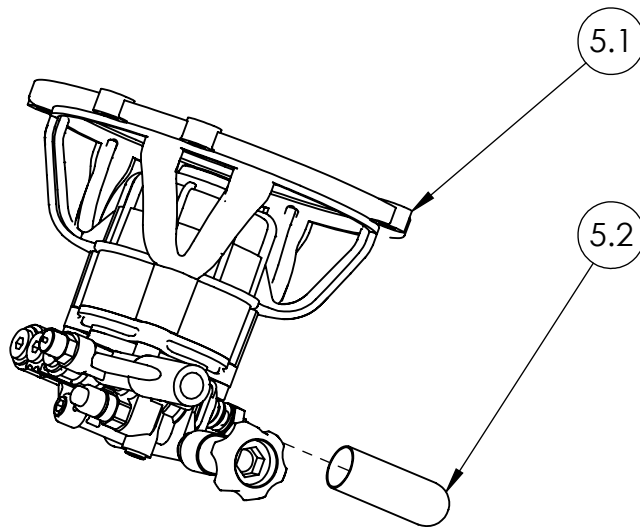
| | | |
|------------|----------------|---------------|
| SIZE | DWG. NO. | REV. |
| A | 60601-S | A |
| SCALE: N/A | ECN# DC-0143 | SHEET 2 OF 14 |



PUMP SERVICE ASSEMBLY
PART NO. 7105466



PUMP SERVICE ASSEMBLY
PART NO. 7106905



| ITEM | PART NO | DESCRIPTION | QTY. |
|------|---------|----------------------------|------|
| 5.1 | 510014 | OEM PUMP, 3000PSI @ 2.4GPM | 1 |
| 5.2 | | CAP, UNLOADER COVER | 1 |
| 5.3 | | BOLT, FLANGE 5/16-18 | 3 |
| 5.4 | | NUT, WHIZ, 5/16-18 | 3 |

*
*

* NOT SHOWN

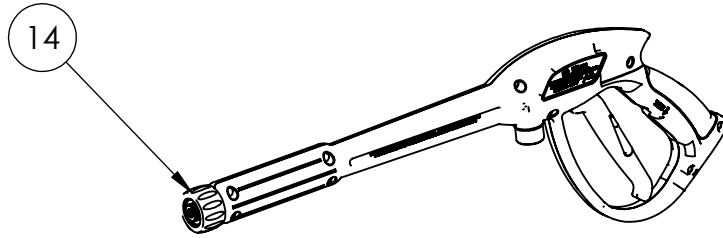
| ITEM | PART NO | DESCRIPTION | QTY. |
|------|---------|---------------------------------|------|
| 5.1 | 7105646 | PUMP, VERTICAL 2400PSI @ 2.0GPM | 1 |
| 5.2 | | CAP, BLACK VINYL | 1 |
| 5.3 | | EXTENSION, INLET | 1 |
| 5.4 | | EXTENSION, OUTLET | 1 |
| 5.5 | | BOLT, FLAGE 5/16-18 | 1 |
| 5.6 | | NUT, WHIZ, 5/16-18 | 1 |

*
*

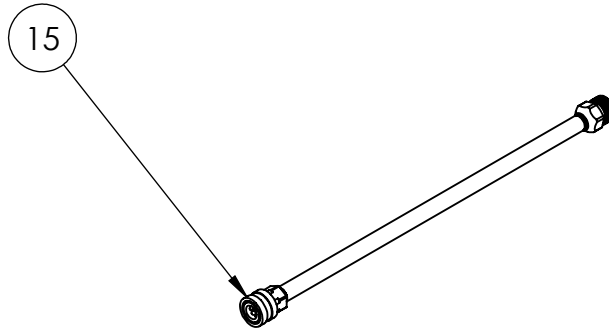
* NOT SHOWN

PUMP 7105575 NOT SHOWN IN MODEL VIEW

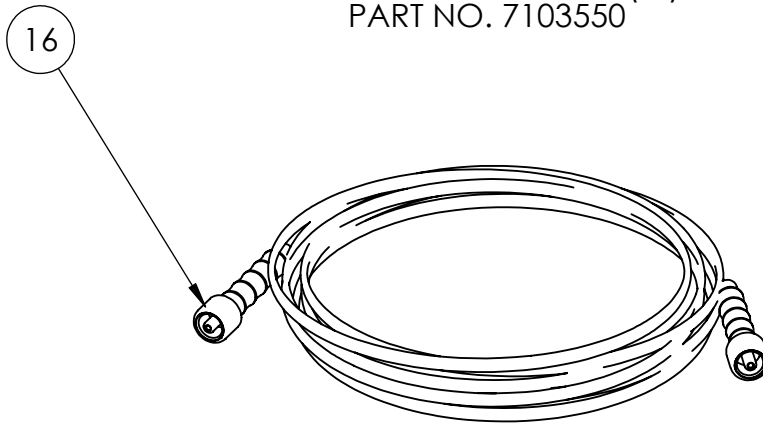
| | | |
|------------------|---------------------|------------------|
| SIZE A | DWG. NO. 60601-S | REV. B |
| SCALE: N/A | ECN# DC13-0143 | SHEET 3 OF 14 |



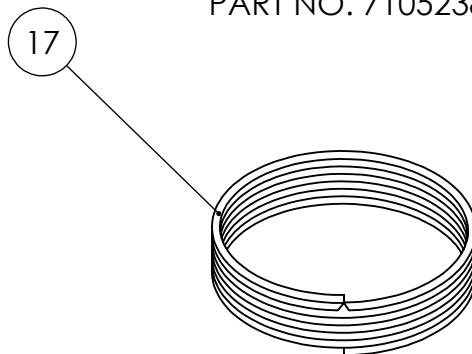
GUN, 3000PSI M22(M) M22(F)
PART NO. 7104847



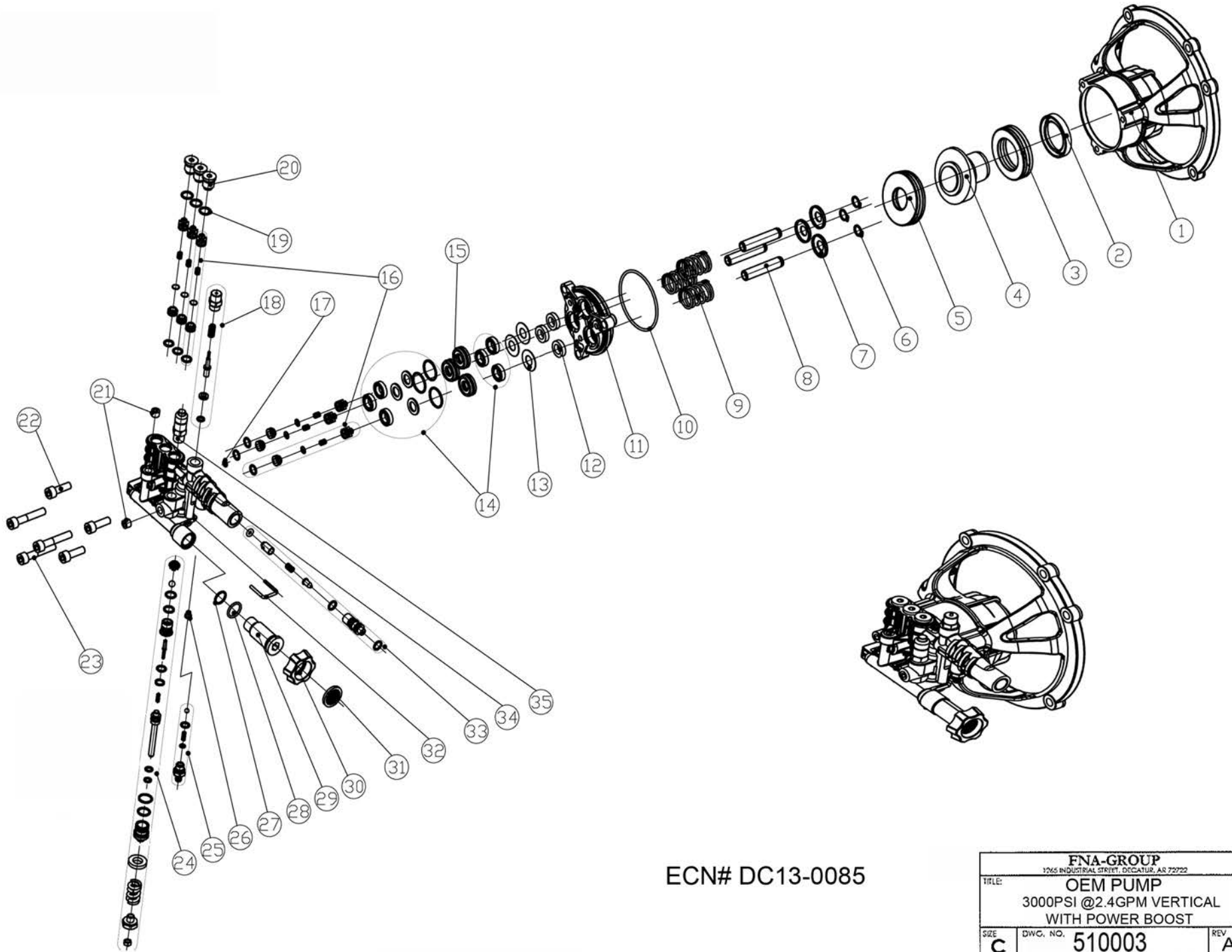
LANCE, 16IN QC, M22(M)
PART NO. 7103550



HOSE, 3100PSI 1/4 X 25' BLACK
PART NO. 7105238



SOAP HOSE, 1/4 X 51"
PART NO. 7101682



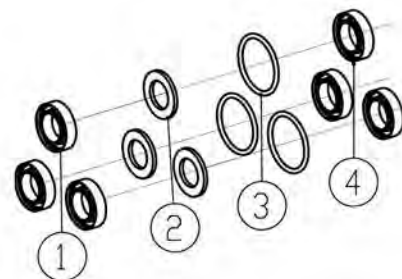
ECN# DC13-0085

| | | | |
|--|---------------|--|---------------|
| FNA-GROUP | | | |
| <small>1265 INDUSTRIAL STREET, DECATUR, AR 72722</small> | | | |
| TITLE: | | OEM PUMP | |
| | | 3000PSI @2.4GPM VERTICAL WITH POWER BOOST | |
| SIZE | DWC. NO. | REV | |
| C | 510003 | A | |
| WEIGHT: | | SCALE: 1:1 | SHEET: 1 OF 3 |



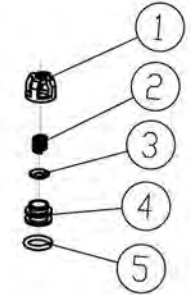
12 PART NO. 7105741

| OIL SEAL KIT | | |
|--------------|-----|-------------|
| ITEM | QTY | DESCRIPTION |
| 1 | 3 | SEAL, OIL |



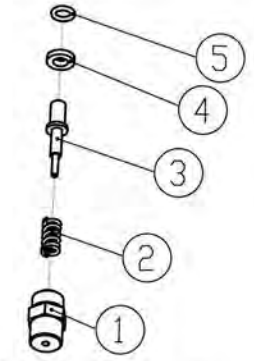
14 PART NO. 7106627

| WATER SEAL KIT | | |
|----------------|-----|--------------------|
| ITEM | QTY | DESCRIPTION |
| 1 | 3 | HIGH PRESSURE SEAL |
| 2 | 3 | BACK RING |
| 3 | 3 | O-RING |
| 4 | 3 | LOW PRESSURE SEAL |



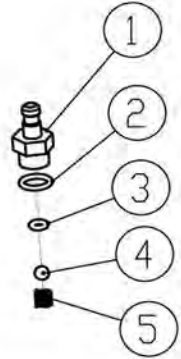
16 PART NO. 7104223

| VALVE KIT | | |
|-----------|-----|-------------|
| ITEM | QTY | DESCRIPTION |
| 1 | 6 | VALVE CASE |
| 2 | 6 | SPRING |
| 3 | 6 | VALVE PLATE |
| 4 | 6 | VALVE SEAT |
| 5 | 6 | O-RING |



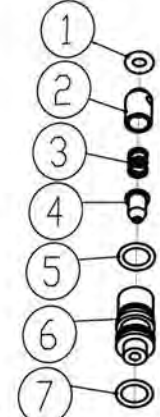
18 PART NO. 7106628

| BOOST VALVE KIT | | |
|-----------------|-----|--------------|
| ITEM | QTY | DESCRIPTION |
| 1 | 1 | VALVE CASE |
| 2 | 1 | VALVE SPRING |
| 3 | 1 | VALVE POLE |
| 4 | 1 | VALVE PLATE |
| 5 | 1 | O-RING |



25 PART NO. 7104228

| SOAP INJECTOR KIT | | |
|-------------------|-----|-------------|
| ITEM | QTY | DESCRIPTION |
| 1 | 1 | HOSE BARB |
| 2 | 1 | O-RING |
| 3 | 1 | O-RING |
| 4 | 1 | STEEL BALL |
| 5 | 1 | SPRING |

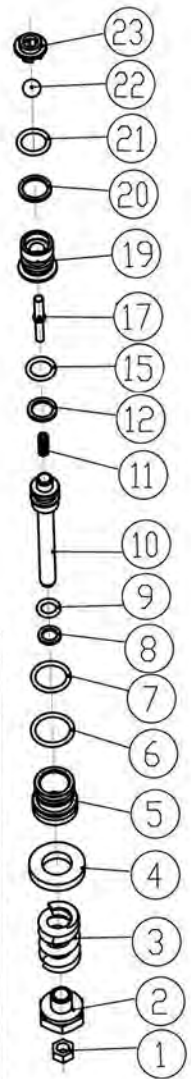


33 PART NO. 7106630

| VENTURI TUBE KIT | | |
|------------------|-----|--------------------|
| ITEM | QTY | DESCRIPTION |
| 1 | 1 | O-RING |
| 2 | 1 | CHECK VALVE CORE |
| 3 | 1 | CHECK VALVE SPRING |
| 4 | 1 | NOZZLE |
| 5 | 1 | O-RING |
| 6 | 1 | VENTURI TUBE |
| 7 | 1 | O-RING |

24 PART NO. 7104226

| UNLOADER KIT | | |
|--------------|-----|---------------|
| ITEM | QTY | DESCRIPTION |
| 1 | 1 | NUT |
| 2 | 1 | ADJUSTING NUT |
| 3 | 1 | SPRING |
| 4 | 1 | SEATING RING |
| 5 | 1 | VALVE SHEATH |
| 6 | 1 | O-RING |
| 7 | 1 | O-RING |
| 8 | 1 | CHECKING RING |
| 9 | 1 | O-RING |
| 10 | 1 | VALVE POLE |
| 11 | 1 | SPRING |
| 12 | 1 | CHECKING RING |
| 15 | 1 | O-RING |
| 17 | 1 | PIN |
| 19 | 1 | UPPER SEAT |
| 20 | 1 | CHECKING RING |
| 21 | 1 | O-RING |
| 22 | 1 | STEEL BALL |
| 23 | 1 | BACK SEAT |



ECN# DC13-0085

FNA-GROUP
 1265 INDUSTRIAL STREET, DECATUR, AR 72722

TITLE: **OEM PUMP**
 3000PSI @2.4GPM VERTICAL
 WITH POWER BOOST

SIZE: **C** DWG. NO. **510003** REV **A**

WEIGHT: SCALE: 1:1 SHEET: 2 OF 3

510003 PUMP EXPLOSION DRAWING PARTS LIST

| ITEM | PART NO. | PART NAME | QTY PER PUMP | COMMENT |
|------|----------|--------------------------|--------------|---------------------------------|
| 1 | 7106631 | Case | 1 | |
| 2 | 7106632 | Oil seal | 1 | |
| 3 | 7106633 | Thrusting Bearing 2 | 1 | |
| 4 | 7106634 | Wobble Plate | 1 | |
| 5 | 7106635 | Thrusting Bearing 1 | 1 | |
| 6 | 7106636 | Clip | 3 | |
| 7 | 7106637 | Spring Base | 3 | |
| 8 | 7106638 | Plunger | 3 | |
| 9 | 7106639 | Spring | 3 | |
| 10 | 7106640 | O-Ring | 1 | |
| 11 | 7106641 | Pluunger Base | 1 | |
| 12 | 7105741 | Oil Seal | 3 | Oil Seal Kit |
| 13 | 7106642 | Back Ring | 3 | |
| 14 | 7106627 | High Pressure Water Seal | 3 | Water Seal Kit |
| | | Back Ring | | |
| | | O-Ring | | |
| | | Low Pressure Water Seal | | |
| 15 | 7106643 | Back Ring | 3 | |
| 16 | 7104223 | Valve Case | 6 | Valve Kit (INLET AND OUTLET) |
| | | Spring | | |
| | | Valve Plate | | |
| | | Valve Seat | | |
| 17 | 7106644 | O-Ring | 1 | |
| | | | | |
| 18 | 7106628 | Boost Valve Case | 1 | Boost Valve Kit |
| | | Boost Valve Spring | | |
| | | Boost Valve Pole | | |
| | | Boost Valve Plate | | |
| 19 | 7106645 | O-Ring | 3 | |
| | | | | |
| 20 | 7106646 | Plug | 3 | |
| 21 | 7106647 | Plug | 2 | |
| 22 | 7106648 | Screw | 3 | |
| 23 | 7106649 | Screw | 3 | |

510003 PUMP EXPLOSION DRAWING PARTS LIST

| ITEM | PART NO. | PART NAME | QTY PER PUMP | COMMENT |
|--------------|----------|------------------------|--------------|-------------------|
| 24 | 7104226 | Nut | 1 | Unloader Kit |
| | | Adjusting Nut | | |
| | | Spring | | |
| | | Seating Ring | | |
| | | Valve Sheath | | |
| | | O-Ring | | |
| | | O-Ring | | |
| | | Checking Ring | | |
| | | O-Ring | | |
| | | Valve Pole | | |
| | | Spring | | |
| | | Checking Ring | | |
| | | O-Ring | | |
| | | Pin | | |
| | | Upper Seat | | |
| | | Checking Ring | | |
| O-Ring | | | | |
| Steel Ball | | | | |
| Back Seat | | | | |
| 25 | 7104228 | Nozzle | 1 | Soap Injector Kit |
| | | O-Ring | | |
| | | O-Ring | | |
| | | Steel Ball | | |
| | | Spring | | |
| 26 | 7106650 | Venturi Tube Back Ring | 1 | |
| 27 | 7106651 | O-Ring | 1 | |
| 28 | 7106652 | O-Ring | 1 | |
| 29 | 7106653 | Inlet Connector | 1 | |
| 30 | 7106654 | Nut | 1 | |
| 31 | 7000123 | Filter Gasket | 1 | |
| 32 | 7106655 | U-Pin | 1 | |
| 33 | 7106630 | O-Ring | 1 | Venturi Tube Kit |
| | | Checking Valve Core | | |
| | | Checking Valve Spring | | |
| | | Nozzle | | |
| | | O-Ring | | |
| Venturi Tube | | | | |
| O-Ring | | | | |
| 34 | 7106656 | Pump Head | 1 | |
| 35 | 7101359 | Thermal Relief Valve | 1 | |

ECN# DC13-0085

| | | | |
|---|---------------|---|---------------|
| FNA-GROUP 1245 INDUSTRIAL STREET, OCCAULT, AR 72722 | | | |
| TITLE: | | OEM PUMP 3000PSI @2.4GPM VERTICAL WITH POWER BOOST | |
| SIZE | DWG. NO. | REV | |
| C | 510003 | A | |
| WEIGHT: | | SCALE: 1:1 | SHEET: 3 OF 3 |