

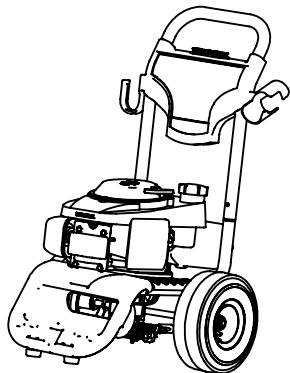
ITEM	PART NO	DESCRIPTION	QTY.	
1	7105501	FRAME BASE WELDMENT ASSEMBLY	1	
2	7106897	HANDLE, BONNET SERVICE ASSEMBLY WITH LABEL, RED	1	
†				
2.1		HANDLE, TUBE PAINTED RED	1	
†				
2.2	7106597	BONNET SVC ASSEMBLY, WITH LABEL	1	
†				
2.3		SCREW, 1/4-20 PHILLIPS PAN HEAD ZINC PLATED	2	
†				
3	7106898	ENGINE, SERVICE ASSEMBLY WITH LABELS	1	
†				
4	7104174	KEY, SHAFT 3/16 SQ X 1-1/4	1	
†				
5	7105466	OEM PUMP SERVICE ASSEMBLY, 3000PSI @2.4GPM	1	
†				
5.1		OEM PUMP, 3000PSI @2.4GPM	1	
†				
5.2		CAP, UNLOADER COVER	1	
†				
5.3		BOLT, FLANGE, 5/16-18	3	
†				
5.4		NUT, WHIZ, 5/16-18	3	
†				
6	7105505	SCOOP, TRIMMED AND SLOTTED	1	
†				
7	7102122	BUTTON SNAP	2	
†				
8	7104682	DISCONTINUED	1	
†				
8.1		SOAP TANK	1	
†				
8.2		CAP, SOAP TANK BLACK	1	
†				
8.3		SCREW, 1/4-20 TORX PANHEAD	2	
†				
9	7105013	WHEEL, SERVICE KIT	2	
†				
9.1		WHEEL, 10 X 4 BLACK	1	
†				
9.2		WASHER, 5/8 FLAT	1	
†				
9.3		CLIP, E-TYPE 5/8" X 0.042	1	
†				
10	7103292	FOOT KIT, RUBBER FOOT & SCREW	2	
†				
10.1		RUBBER FOOT, 1.50IN X 0.625IN	1	
†				
10.2		SCREW, 1/4-20 TORX PANHEAD	1	
†				
11	7106904	HARDWARE KIT, ENGINE/PUMP MOUNT	1	
†				
11.1		BOLT, FLANGE 5/16-18	3	
†				
11.2		NUT, WHIZ 5/16-18	3	
†				
12	7100389	GROMMET, 7/16" RUBBER	1	
†				
13	7105649	NOZZLE, SET 4 PC 2.5	1	
†				
14	7104847	GUN, 3000PSI M22(M) INLET, M22(F) OUTLET	1	
†				
15	7103550	LANCE, 16IN 1/4QC, M22(M)	1	
†				
16	7105238	HOSE, 3100PSI, 1/4 X 25' BLACK	1	
†				
17	7101682	SOAP HOSE, 1/4 X 51IN	1	
†				
18	7102045	TOOL, UNIVERSAL CLEANING NOZZLE	1	
*				
*	19	7104921	MANUAL, OPERATOR'S M60601 MODEL SPECIFIC	1
*	20	7104919	BOX, SHIPPING MODEL SPECIFIC	1

* NOT SHOWN

† NOT SOLD SEPARATELY

PUMP IDENTIFICATION TABLE

MACHINE SERIAL NO.	PUMP TYPE	PUMP KIT NO.	PUMP PART NO.
300163-300363	2500PSI@2.0GPM	N/A	7105575
300364-392620	2400PSI@2.0GPM	7106905	7105646
392620-PRESENT	3000PSI@2.4GPM	7105466	510014



ONLY THE LATEST VERSION OF THE PUMP IS AVAILABLE FOR REPLACEMENT

	NAME	DATE
DRAWN	MAV	5/31/2013
CHECKED	M.G.	6/03/2013
ENG APPR.	JEW	6/03/2013
MFG APPR.		
Q.A. APPR.	JEP	6/03/2013
SERVICE APPR.	D.H.	5/31/2013

FNA-GROUP

1265 INDUSTRIAL STREET, DECATUR, AR 72722

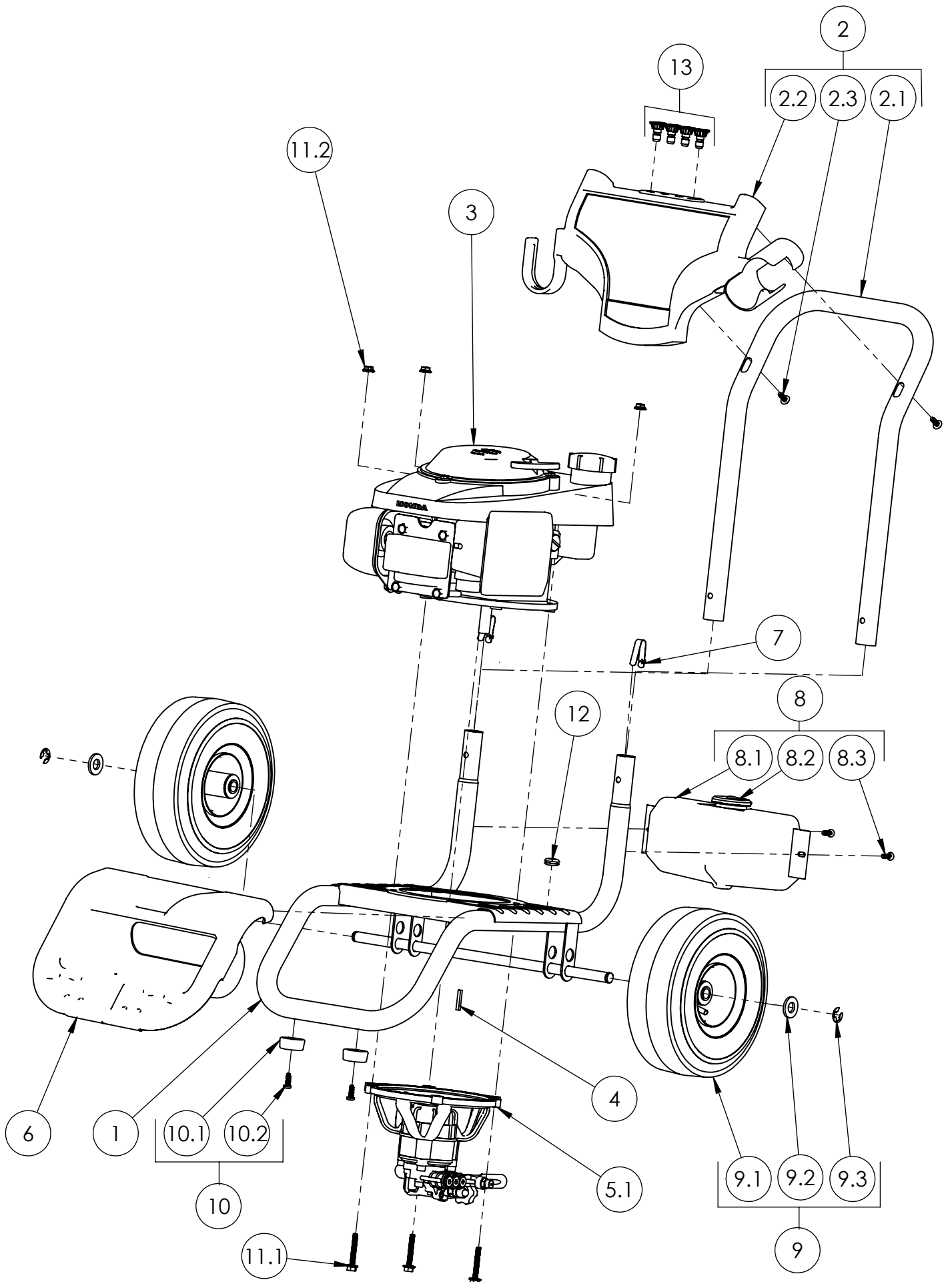
TITLE:

M60601

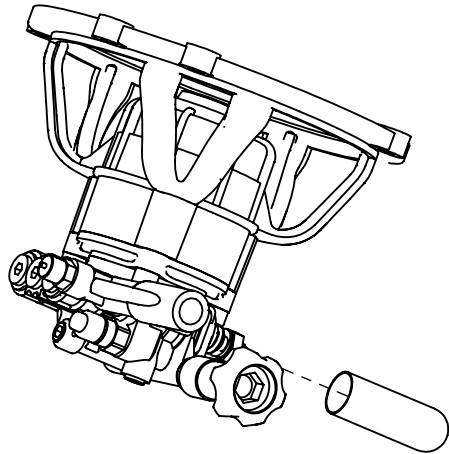
PROPRIETARY AND CONFIDENTIAL

THE INFORMATION CONTAINED IN THIS DRAWING IS THE SOLE PROPERTY OF FNA-GROUP. ANY REPRODUCTION IN PART OR AS A WHOLE WITHOUT THE WRITTEN PERMISSION OF FNA-GROUP IS PROHIBITED.

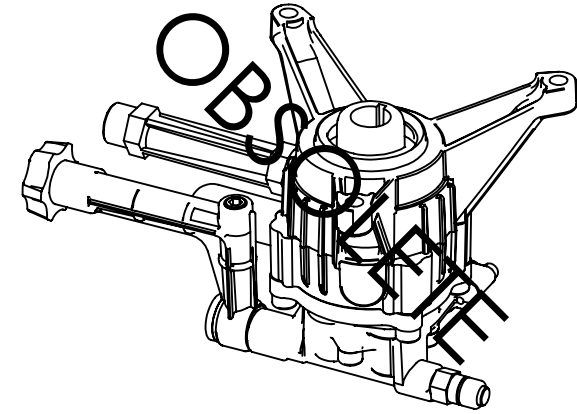
SIZE	DWG. NO.	REV.
A	60601-S	B
SCALE: N/A	ECN# DC13-0143	SHEET 1 OF 7



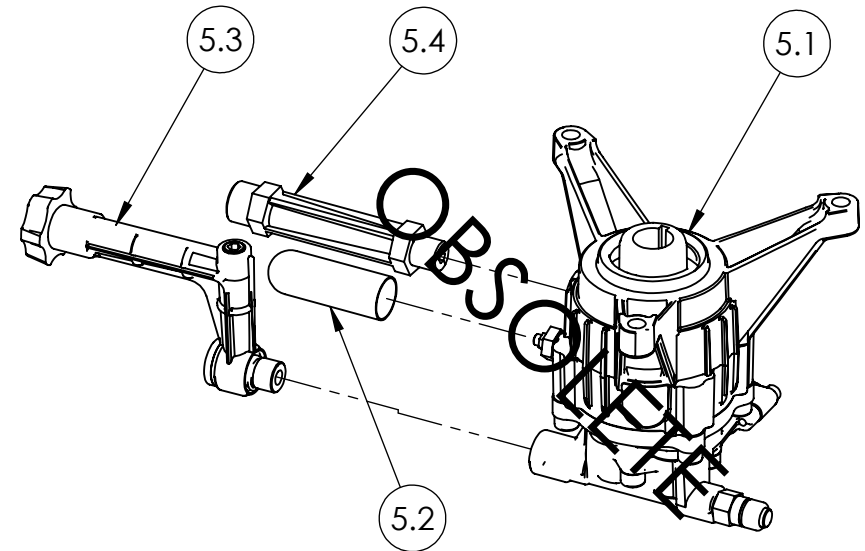
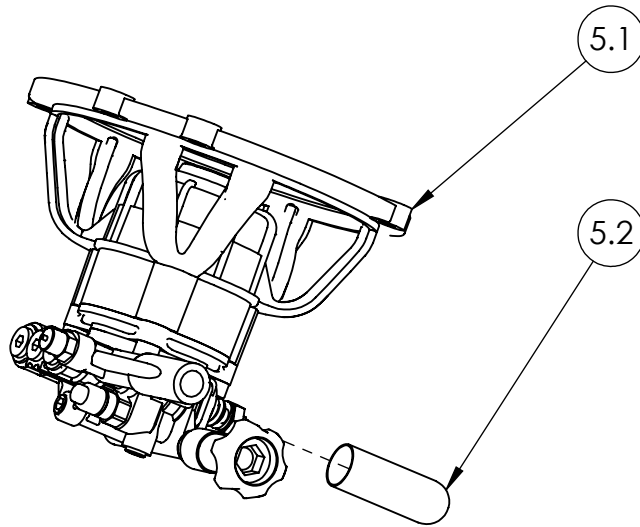
SIZE	DWG. NO.	REV.
A	60601-S	A
SCALE: N/A	ECN# DC-0143	SHEET 2 OF 14



PUMP SERVICE ASSEMBLY
PART NO. 7105466



PUMP SERVICE ASSEMBLY
PART NO. 7106905



ITEM	PART NO	DESCRIPTION	QTY.
5.1	510014	OEM PUMP, 3000PSI @ 2.4GPM	1
5.2		CAP, UNLOADER COVER	1
5.3		BOLT, FLANGE 5/16-18	3
5.4		NUT, WHIZ, 5/16-18	3

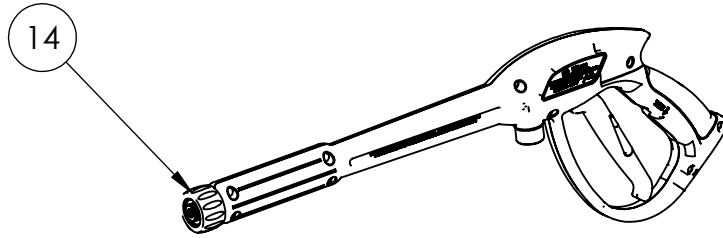
* NOT SHOWN

ITEM	PART NO	DESCRIPTION	QTY.
5.1	7105646	PUMP, VERTICAL 2400PSI @ 2.0GPM	1
5.2		CAP, BLACK VINYL	1
5.3		EXTENSION, INLET	1
5.4		EXTENSION, OUTLET	1
5.5		BOLT, FLAGE 5/16-18	1
5.6		NUT, WHIZ, 5/16-18	1

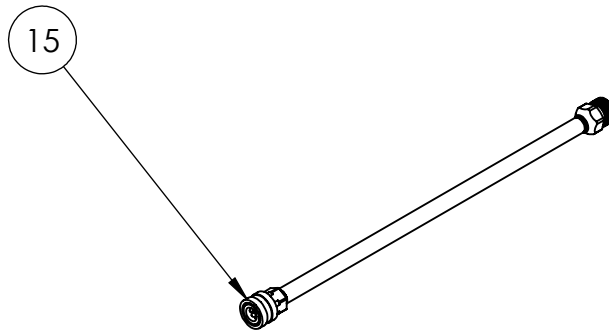
* NOT SHOWN

PUMP 7105575 NOT SHOWN IN MODEL VIEW

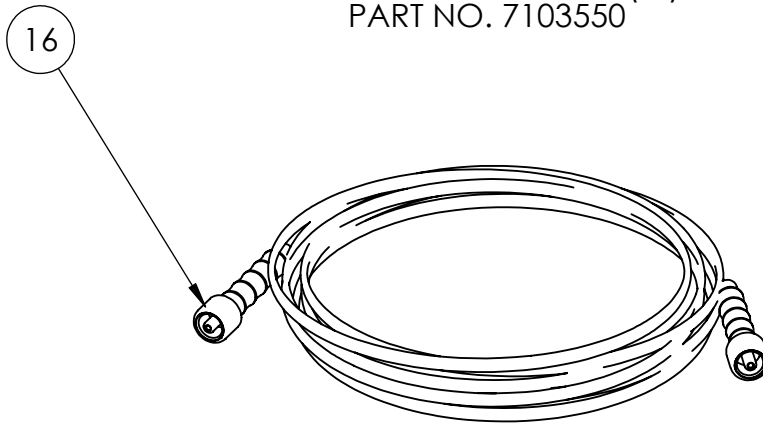
SIZE A	DWG. NO. 60601-S	REV. B
SCALE: N/A	ECN# DC13-0143	SHEET 3 OF 14



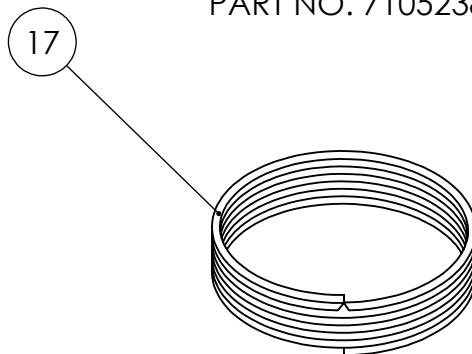
GUN, 3000PSI M22(M) M22(F)
PART NO. 7104847



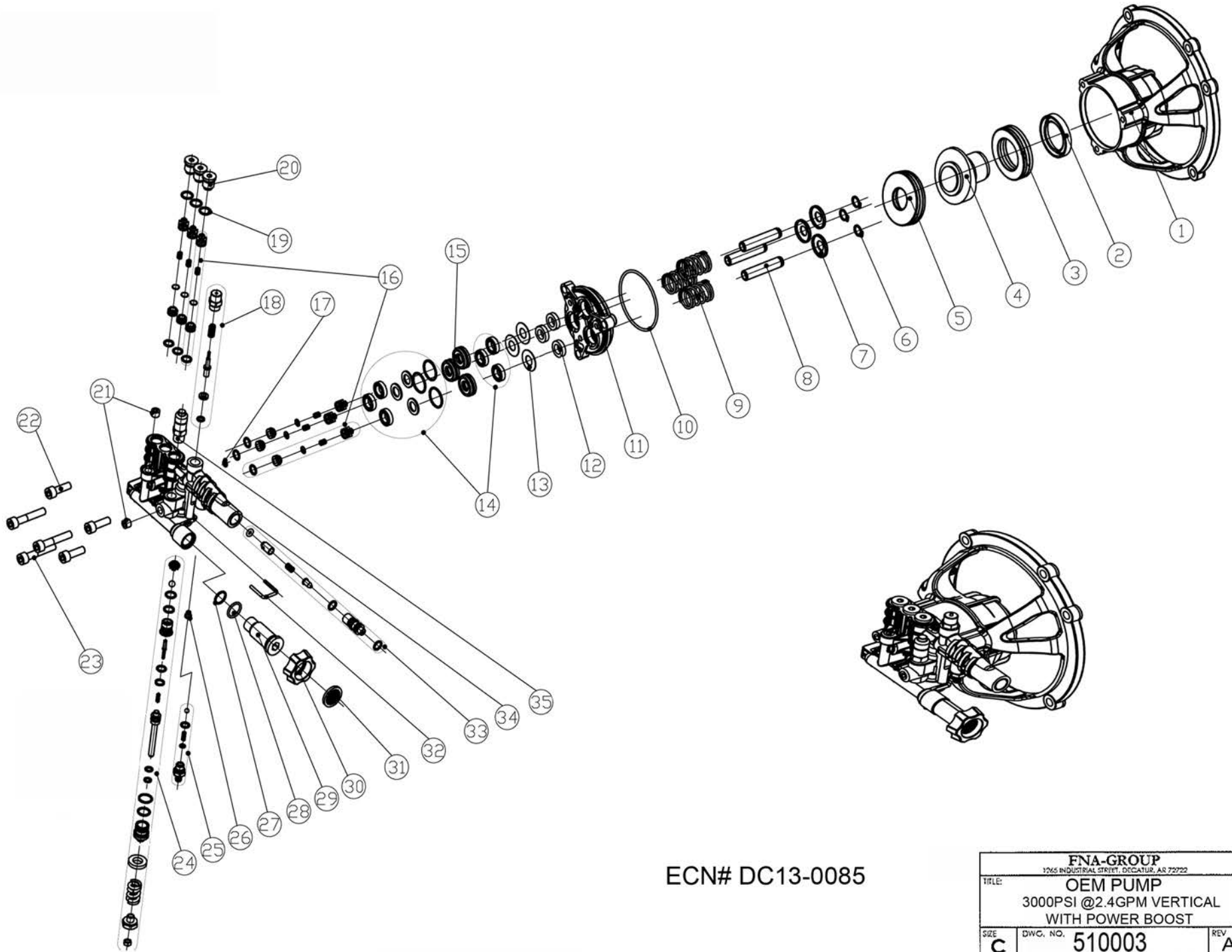
LANCE, 16IN QC, M22(M)
PART NO. 7103550



HOSE, 3100PSI 1/4 X 25' BLACK
PART NO. 7105238



SOAP HOSE, 1/4 X 51"
PART NO. 7101682



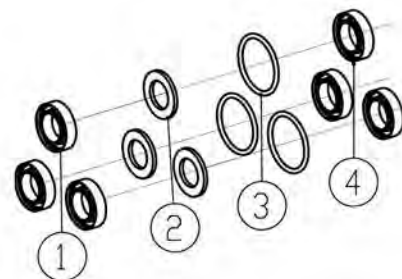
ECN# DC13-0085

FNA-GROUP			
<small>1265 INDUSTRIAL STREET, DECATUR, AR 72722</small>			
TITLE:		OEM PUMP	
		3000PSI @2.4GPM VERTICAL	
		WITH POWER BOOST	
SIZE	DWC. NO.	REV	
C	510003	A	
WEIGHT:		SCALE: 1:1	SHEET: 1 OF 3



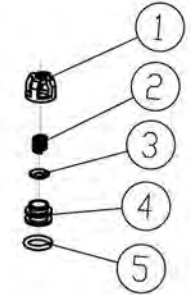
12 PART NO. 7105741

OIL SEAL KIT		
ITEM	QTY	DESCRIPTION
1	3	SEAL, OIL



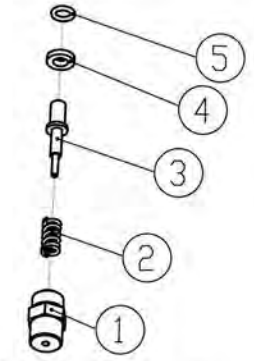
14 PART NO. 7106627

WATER SEAL KIT		
ITEM	QTY	DESCRIPTION
1	3	HIGH PRESSURE SEAL
2	3	BACK RING
3	3	O-RING
4	3	LOW PRESSURE SEAL



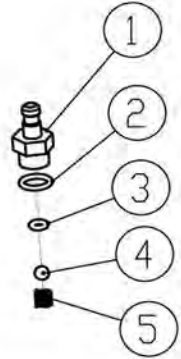
16 PART NO. 7104223

VALVE KIT		
ITEM	QTY	DESCRIPTION
1	6	VALVE CASE
2	6	SPRING
3	6	VALVE PLATE
4	6	VALVE SEAT
5	6	O-RING



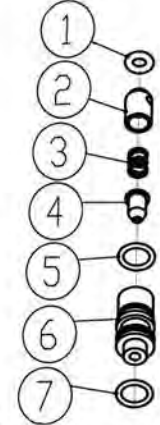
18 PART NO. 7106628

BOOST VALVE KIT		
ITEM	QTY	DESCRIPTION
1	1	VALVE CASE
2	1	VALVE SPRING
3	1	VALVE POLE
4	1	VALVE PLATE
5	1	O-RING



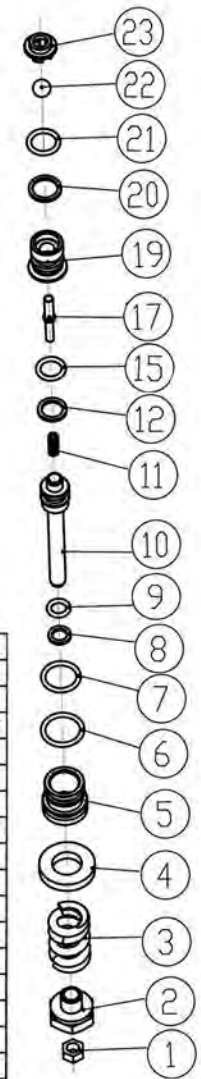
25 PART NO. 7104228

SOAP INJECTOR KIT		
ITEM	QTY	DESCRIPTION
1	1	HOSE BARB
2	1	O-RING
3	1	O-RING
4	1	STEEL BALL
5	1	SPRING



33 PART NO. 7106630

VENTURI TUBE KIT		
ITEM	QTY	DESCRIPTION
1	1	O-RING
2	1	CHECK VALVE CORE
3	1	CHECK VALVE SPRING
4	1	NOZZLE
5	1	O-RING
6	1	VENTURI TUBE
7	1	O-RING



24 PART NO. 7104226

UNLOADER KIT		
ITEM	QTY	DESCRIPTION
1	1	NUT
2	1	ADJUSTING NUT
3	1	SPRING
4	1	SEATING RING
5	1	VALVE SHEATH
6	1	O-RING
7	1	O-RING
8	1	CHECKING RING
9	1	O-RING
10	1	VALVE POLE
11	1	SPRING
12	1	CHECKING RING
15	1	O-RING
17	1	PIN
19	1	UPPER SEAT
20	1	CHECKING RING
21	1	O-RING
22	1	STEEL BALL
23	1	BACK SEAT

ECN# DC13-0085

FNA-GROUP
 1265 INDUSTRIAL STREET, DECATUR, AR 72722

TITLE: **OEM PUMP**
 3000PSI @2.4GPM VERTICAL
 WITH POWER BOOST

SIZE: **C** DWG. NO. **510003** REV **A**

WEIGHT: SCALE: 1:1 SHEET: 2 OF 3

510003 PUMP EXPLOSION DRAWING PARTS LIST

ITEM	PART NO.	PART NAME	QTY PER PUMP	COMMENT
1	7106631	Case	1	
2	7106632	Oil seal	1	
3	7106633	Thrusting Bearing 2	1	
4	7106634	Wobble Plate	1	
5	7106635	Thrusting Bearing 1	1	
6	7106636	Clip	3	
7	7106637	Spring Base	3	
8	7106638	Plunger	3	
9	7106639	Spring	3	
10	7106640	O-Ring	1	
11	7106641	Pluunger Base	1	
12	7105741	Oil Seal	3	Oil Seal Kit
13	7106642	Back Ring	3	
14	7106627	High Pressure Water Seal	3	Water Seal Kit
		Back Ring		
		O-Ring		
		Low Pressure Water Seal		
15	7106643	Back Ring	3	
16	7104223	Valve Case	6	Valve Kit (INLET AND OUTLET)
		Spring		
		Valve Plate		
		Valve Seat		
17	7106644	O-Ring	1	
		O-Ring		
18	7106628	Boost Valve Case	1	Boost Valve Kit
		Boost Valve Spring		
		Boost Valve Pole		
		Boost Valve Plate		
19	7106645	O-Ring	3	
		O-Ring		
20	7106646	Plug	3	
21	7106647	Plug	2	
22	7106648	Screw	3	
23	7106649	Screw	3	

510003 PUMP EXPLOSION DRAWING PARTS LIST

ITEM	PART NO.	PART NAME	QTY PER PUMP	COMMENT
24	7104226	Nut	1	Unloader Kit
		Adjusting Nut		
		Spring		
		Seating Ring		
		Valve Sheath		
		O-Ring		
		O-Ring		
		Checking Ring		
		O-Ring		
		Valve Pole		
		Spring		
		Checking Ring		
		O-Ring		
		Pin		
25	7104228	Upper Seat	1	Soap Injector Kit
		Checking Ring		
		O-Ring		
		Steel Ball		
		Back Seat		
		Nozzle		
26	7106650	O-Ring	1	
		O-Ring		
27	7106651	O-Ring	1	
28	7106652	O-Ring	1	
29	7106653	Inlet Connector	1	
30	7106654	Nut	1	
31	7000123	Filter Gasket	1	
32	7106655	U-Pin	1	
33	7106630	O-Ring	1	Venturi Tube Kit
		Checking Valve Core		
		Checking Valve Spring		
		Nozzle		
		O-Ring		
34	7106656	Venturi Tube	1	
		O-Ring		
35	7101359	Pump Head	1	
		Thermal Relief Valve	1	

ECN# DC13-0085

FNA-GROUP 1245 INDUSTRIAL STREET, OCCAULT, AR 72722			
TITLE:		OEM PUMP 3000PSI @2.4GPM VERTICAL WITH POWER BOOST	
SIZE	DWG. NO.	REV	
C	510003	A	
WEIGHT:		SCALE: 1:1	SHEET: 3 OF 3