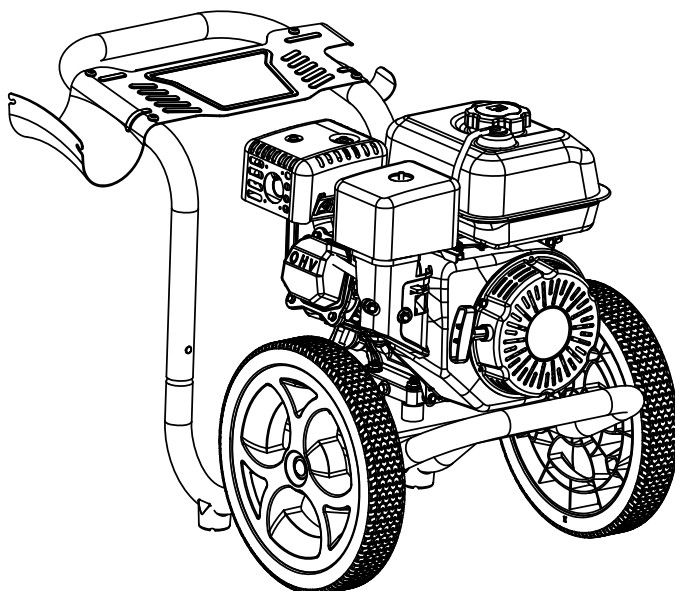


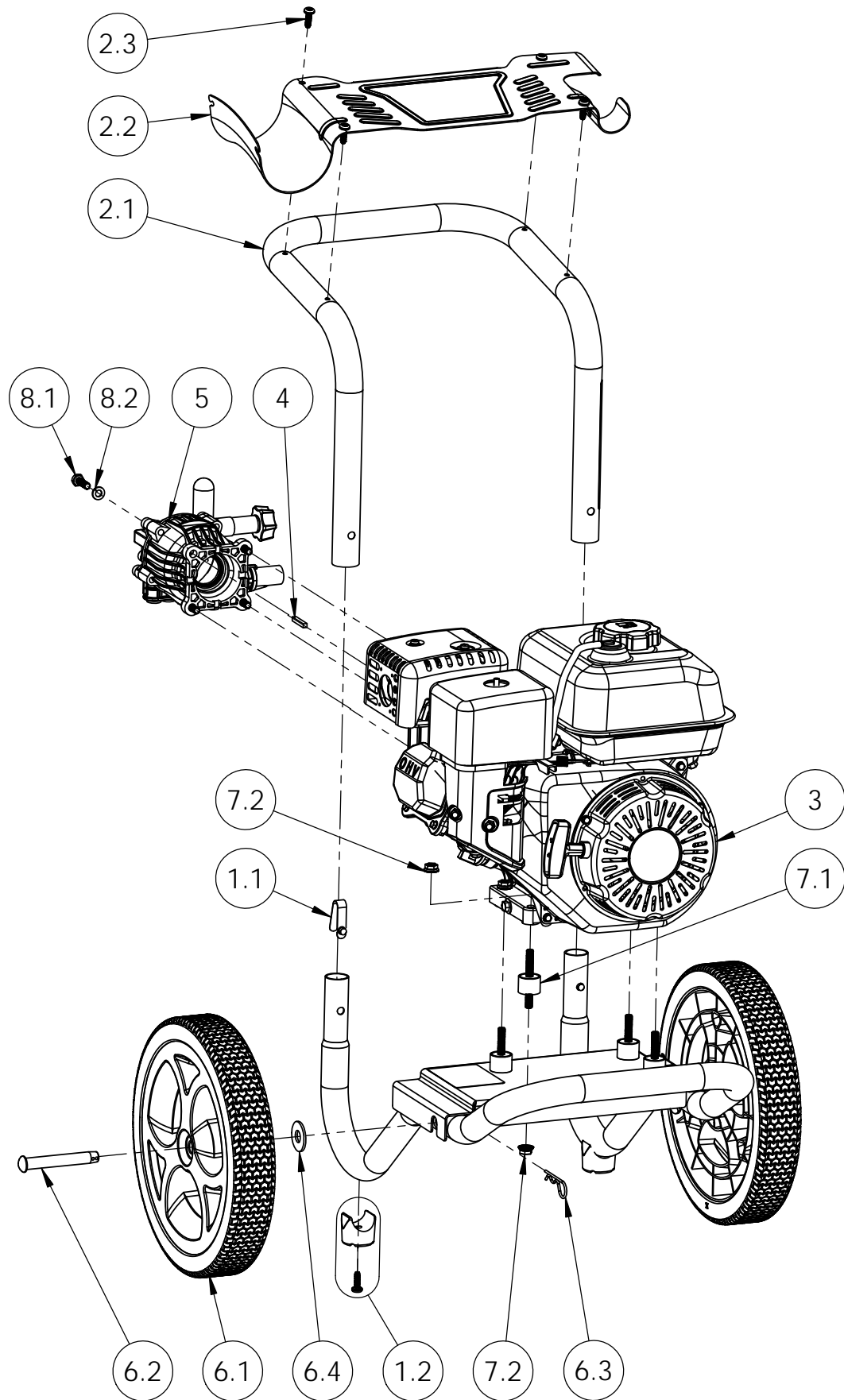
ITEM NO.	PART NO.	DESCRIPTION	QTY.
1	7108500	FRAME WELDMENT, OPP, BLACK W/FEET	1
1.1	7102122	BUTTON, SNAP	2
1.2	7105468	FOOT, SVC KIT FITTED RUBBER AND SCREW	2
2	7108521	HANDLE ASSEMBLY, OPP, NO GROMMETS	1
†	2.1	TUBE, HANDLE OPP PUNCH-BENT 18GA BLACK	1
2.2	7108108	DASHBOARD, STEEL OPP 5-HOLE SILVER	1
†	2.3	SCREW, TORX PANHEAD 1/4"-20 x 3/4"	4
3	7104174	KEY, SHAFT 3/16" x 3/16" x 1 1/4"	1
4	7108381	ENGINE, SVC KIT ASSY, SHINERAY 49 ST W/LABELS	1
5	7108379	PUMP, SERVICE ASSY 2800@2.4 HORIZONTAL	1
5.1	520011	PUMP, 2800PSI@2.4GPM HORIZ-AX AL NO P-B	1
†	5.2	BOLT 5/16"-24 x 1" HHCS GR5	4
†	5.3	WASHER, SPLIT-LOCK 5/16" RUST RESISTANT	4
†	5.4	CAP, UNLOADER COVER 1 1/2" x 5/8" BLACK	1
†	5.5	KEY, SHAFT 3/16" x 3/16" x 1 1/4"	1
6	7108669	WHEEL KIT, 12" x 2"	2
†	6.1	POWERWASHER WHEEL 12"X2" POLYPRO/PVC BLK	1
†	6.2	AXLE, STUB .525" x 3.655" ROUND HEAD ZN	1
†	6.3	COTTER PIN, 3/8-5/8" x 3/32 x 2-3/8 STL	1
†	6.4	WASHER, 1/2" FLAT SAE THROUGH HARDENED	1
7	7108382	HARDWARE KIT, ENGINE MOUNT VIBRATION DAMPING	1
†	7.1	VIBRATION MOUNT 3/4" X 1.0" DIA BLK	4
†	7.2	NUT, WHIZ 5/16"-18	8
8	7105474	HARDWARE KIT, PUMP MOUNTING	1
†	8.1	BOLT 5/16"-24 x 1" HHCS GR5	4
†	8.2	WASHER, SPLIT-LOCK 5/16" RUST RESISTANT	4
*	9	GUN, OEM FRONT ENTRY, OF341 3400 PSI	1
*	10	5-IN-1 NOZZLE WITH LANCE 0,15,25,40&SOAP	1
*	11	HOSE, MORFLEX 1/4" x 25' x 3100PSI M22(M) x M22(F)	1
12	7102207	SOAP HOSE AND FILTER KIT	1
*	13	TOOL, NOZZLE CLEANING, UNIVERSAL	1
*	14	MANUAL AND ACCESSORY KIT MS60753	1
*	15	BOX, SVC KIT MS60753	1

* ITEM NOT SHOWN

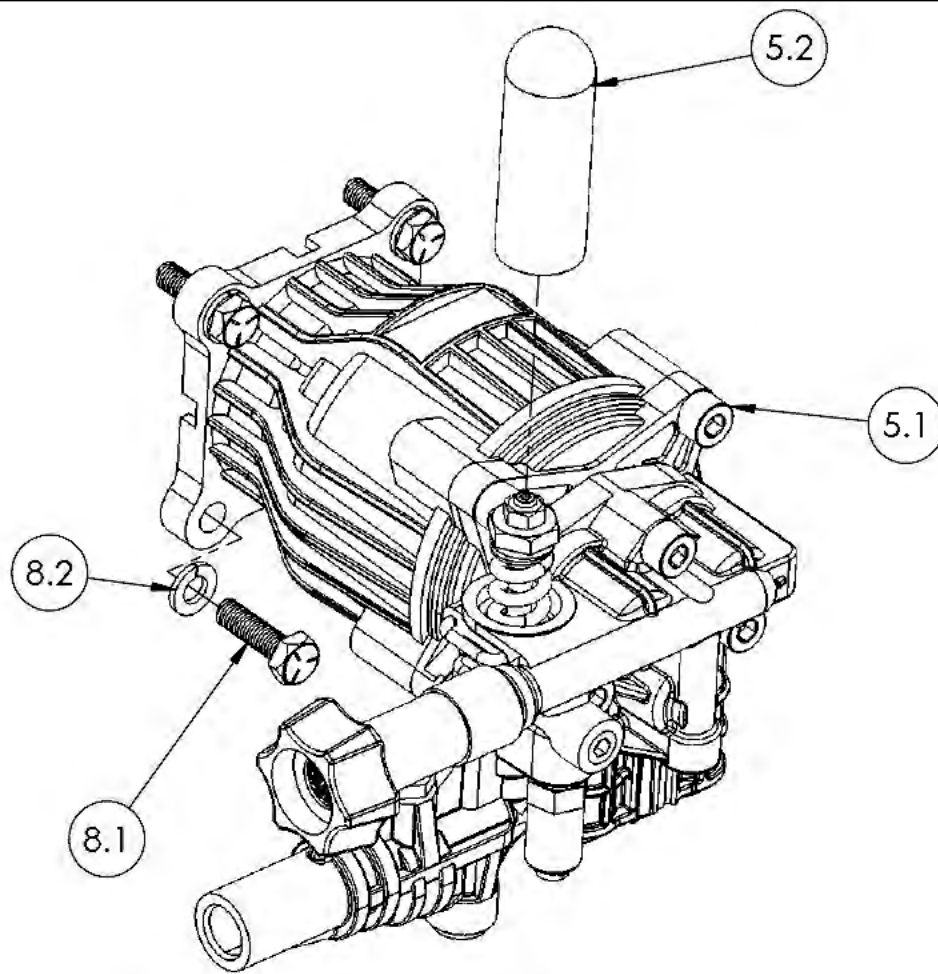
† ITEM NOT SOLD SEPERATELY



			FNA-GROUP		
DRAWN	KDB	11/24/2015	1265 INDUSTRIAL STREET DECATUR AR 72722 MS60753 2800PSI @ 2.4GPM (49 STATE)		
CHECKED	OSW	12/1/2015			
ENG APPR	SAC	12/1/2015			
MFG APPR	-	-			
Q A APPR	KB	12/1/2015			
SERVICE APPR	DH	11/25/2015			
PROPRIETARY AND CONFIDENTIAL THE INFORMATION CONTAINED IN THIS DRAWING IS THE SOLE PROPERTY OF FNA-GROUP - ANY REPRODUCTION IN PART OR AS A WHOLE WITHOUT THE WRITTEN PERMISSION OF FNA-GROUP IS PROHIBITED			TITLE: MS60753 2800PSI @ 2.4GPM (49 STATE)	SIZE A	
		DWG NO	60753	REV	B
SCALE: N/A		ECN# DC15-0180	SHEET 1 OF 3		Version: 2016



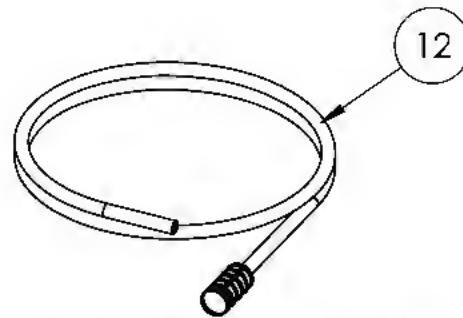
SIZE	DWG NO	REV
A	60753	B
SCALE: N/A	ECN# DC15-0180	SHEET 2 OF 3



5 PUMP, SVC ASSY 2800@2.4 W/O PB 11 DEG WOBBLE PLATE
PART NO. 7108379

ITEM NO.	PART NO.	DESCRIPTION	QTY.
5.1	520011	PUMP, 2800PSI@2.4GPM HORIZ-AX AL NO P-B	1
5.2		CAP, UNLOADER COVER 1 1/2" x 5/8" BLACK	1
8.1		BOLT 5/16"-24 x 1" HHCS GR5	4
8.2		WASHER, SPLIT-LOCK 5/16" RUST RESISTANT	4
* 4	7104174	KEY, SHAFT 3/16" x 3/16" x 1 1/4"	1

* NOT SHOWN



KIT, SOAP HOSE & FILTER
PART NO. 7102207

SIZE A	DWG NO 60753	REV B
SCALE: N/A	ECN# DC15-0180	SHEET 3 OF 3