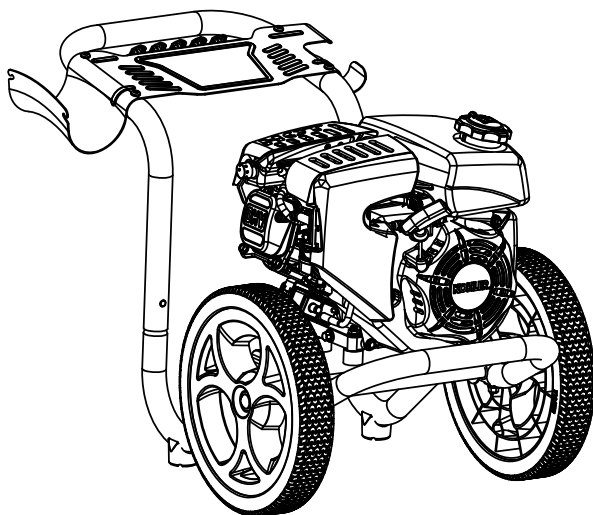


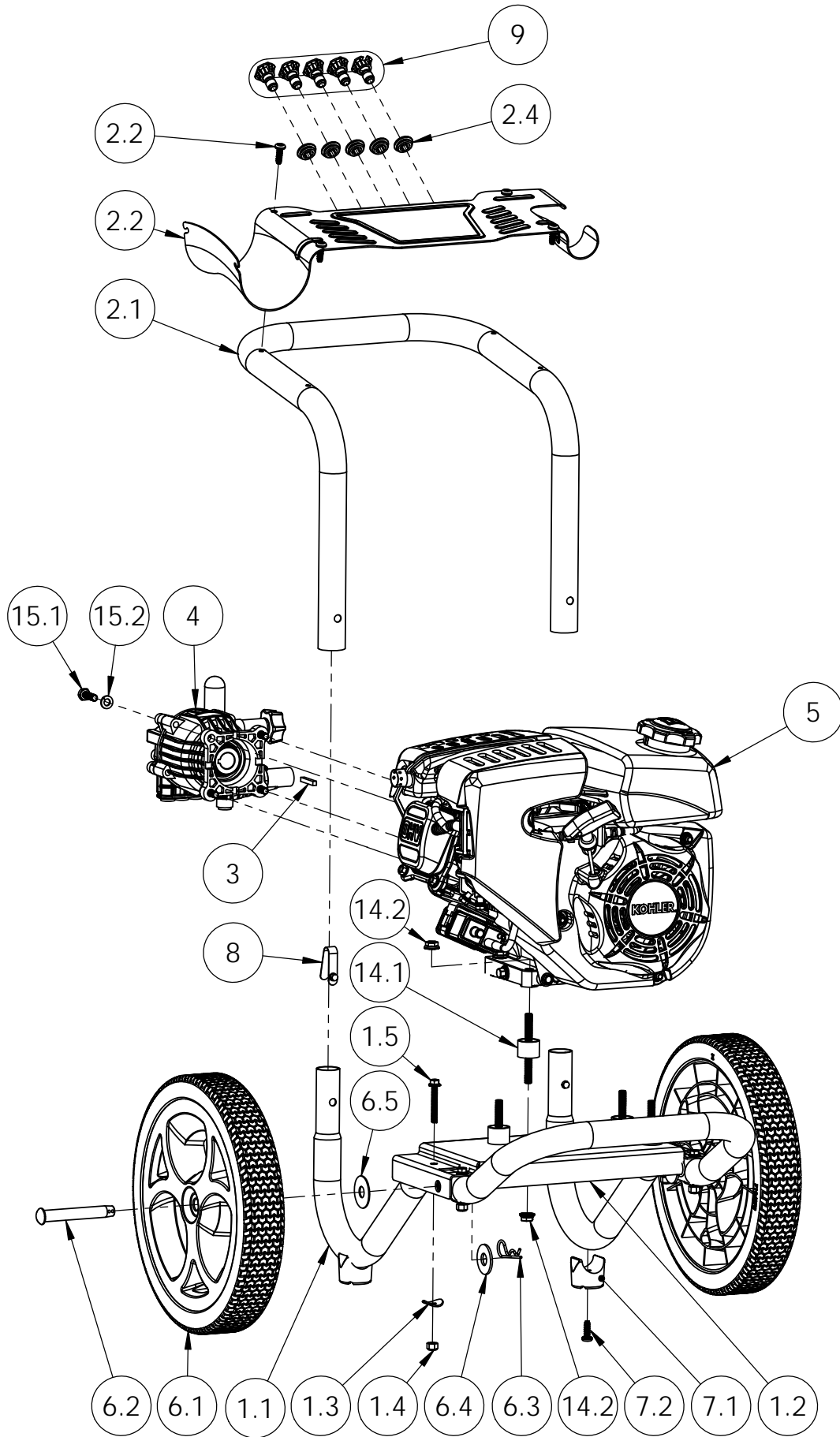
ITEM NO.	PART NO.	DESCRIPTION	QTY.
1	7108376	KIT, BASE FRAME SERVICE ASSEMBLY MS60753	1
† 1.1		TUBE, FRAME DOPP BENT 18GA BLACK	1
† 1.2		ENGINE PLATE, OPP BLACK	1
† 1.3		WASHER, SADDLE 5/16 X 1.0 X 0.060	4
† 1.4		NUT, 1/4"-20 NYLOCK	4
† 1.5		BOLT, 1/4"-20 x 1 3/4" SERRATED HHFB GR8	4
2	7108385	KIT, HANDLE SVC ASSY MS60763 W/DASHBOARD	1
† 2.1		TUBE, HANDLE OPP PUNCH-BENT 18GA BLACK	1
† 2.2		SCREW, TORX PANHEAD 1/4"-20 x 3/4"	4
2.3	7108146	OPP DASHBOARD-NOZZLE HOLDER ASSEMBLY	1
2.4	7106833	HOLDER, NOZZLE SINGLE	5
3	7104174	KEY, SHAFT 3/16" x 3/16" x 1 1/4"	1
4	7108379	PUMP, SVC ASSY 2800@2.4 W/O PB 11 DEG WOBBLE PLATE	1
† 4.1	520011	PUMP, 2800PSI@2.4GPM HORIZ-AX AL NO P-B	1
† 4.2		BOLT 5/16"-24 x 1" HHCS GR5	4
† 4.3		WASHER, SPLIT-LOCK 5/16" RUST RESISTANT	4
† 4.4		CAP, UNLOADER COVER 1 1/2" x 5/8" BLACK	1
† 4.5		KEY, SHAFT 3/16" x 3/16" x 1 1/4"	1
5	7108386	ENGINE, SVC KIT ASSY KOHLER RH265	1
† 5.1		ENGINE, 196CC RH265 KOHLER BLACK HORIZ.	1
† 5.2		KEY, SHAFT 3/16" x 3/16" x 1 1/4"	1
6	7106790	WHEEL KIT, 12" x 2"	2
† 6.1		POWERWASHER WHEEL 12"X2" POLYPRO/PVC BLK	1
† 6.2		AXLE, STUB .525" x 3.655" ROUND HEAD ZN	1
† 6.3		COTTER PIN, 3/8-5/8" x 3/32 x 2-3/8 STL	1
† 6.4		WASHER, 1/2" FLAT SAE THROUGH HARDENED	1
† 6.5		WASHER, 1/2 X 1.50 FENDER, ZINC PLATED	1
7	7105468	FOOT SERVICE KIT, RUBBER FOOT AND SCREW	2
† 7.1		FOOT, RUBBER 1.5OD FITTED TO 1.25 TUBE	1
† 7.2		SCREW, TORX PANHEAD 1/4"	1
8	7102122	BUTTON, SNAP	2
9	7108087	NOZZLE, 5PC 1/4QC-M #2.8-0, #3.2-15,25&40, PSOAP	1
10	7107956	GUN, OEM FRONT ENTRY, OF341 3400 PSI	1
11	7103550	LANCE, 16" W/ 1/4" QC-F x M22(M)	1
12	7106419	HOSE, MORFLEX 1/4" x 25' x 3100PSI M22(M) x M22(F)	1
13	7102207	SOAP HOSE AND FILTER KIT	1
† 14	7108382	HARDWARE KIT, ENGINE MOUNT VIBRATION DAMPING	1
† 14.1		VIBRATION MOUNT 3/4" X 1.0" DIA BLK	4
† 14.2		NUT, WHIZ 5/16"-18	8
† 15	7105474	HARDWARE KIT, PUMP MOUNTING	1
† 15.1		BOLT 5/16"-24 x 1" HHCS GR5	4
† 15.2		WASHER, SPLIT-LOCK 5/16" RUST RESISTANT	4
* 16	7102045	TOOL, NOZZLE CLEANING, UNIVERSAL	1
* 17	7108049	MANUAL, OPERATORS 60763	1
* 18	7108284	BOX, SHIPPABLE PLAIN KRAFT 60777/60763	1



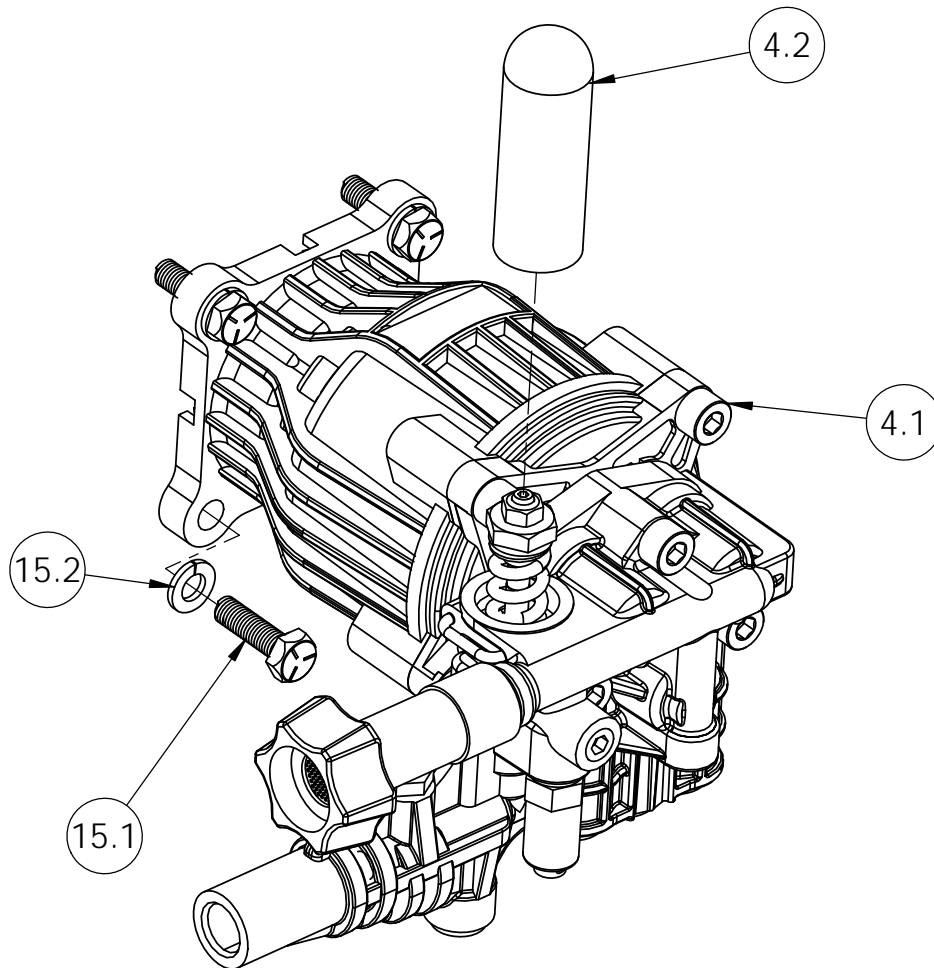
* NOT SHOWN
† NOT SOLD SEPERATELY

DRAWN			NAME		DATE	
DRAWN			KDB		6/29/2015	
CHECKED			-		-	
ENG APPR.			-		-	
MFG APPR.			-		-	
O.A. APPR.			-		-	
SERVICE APPR.			-		-	
FNA-GROUP						
1265 INDUSTRIAL STREET, DECATUR, AR 72722						
TITLE:						
MS60763-S SIMPSON 3000PSI@ 2.4GPM KOHLER						
SIZE	DWG. NO.		60763		REV.	
A					A	
SCALE: N/A			ECN# -		SHEET 1 OF 9	

PROPRIETARY AND CONFIDENTIAL
THE INFORMATION CONTAINED IN THIS DRAWING IS THE SOLE PROPERTY OF FNA-GROUP. ANY REPRODUCTION IN PART OR AS A WHOLE WITHOUT THE WRITTEN PERMISSION OF FNA-GROUP IS PROHIBITED.



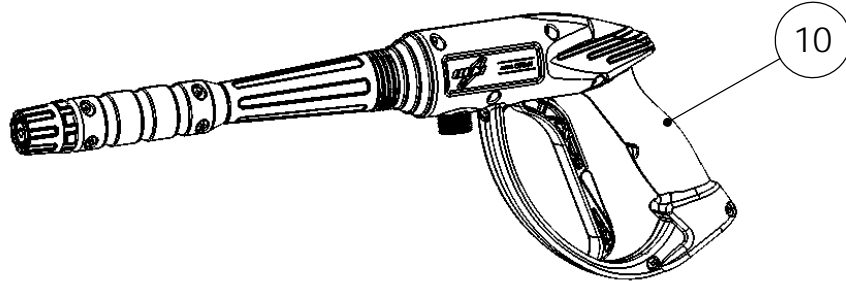
SIZE	DWG. NO.	REV.
A	60763	A
SCALE: N/A	ECN# -	SHEET 2 OF 9



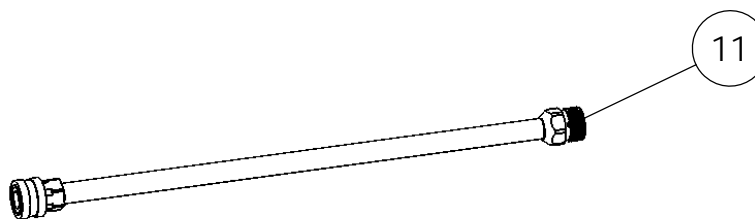
PUMP ASSEMBLY
PART NO. 7108379

ITEM NO.	PART NO.	DESCRIPTION	QTY.
4.1	520011	PUMP, 3000PSI@2.4GPM HORIZ-AX AL NO P-B	1
4.2		CAP, UNLOADER COVER 1 1/2" x 5/8" BLACK	1
15.1		BOLT 5/16"-24 x 1" HHCS GR5	4
15.2		WASHER, SPLIT-LOCK 5/16" RUST RESISTANT	4
* 3	7104174	KEY, SHAFT 3/16" x 3/16" x 1 1/4"	1

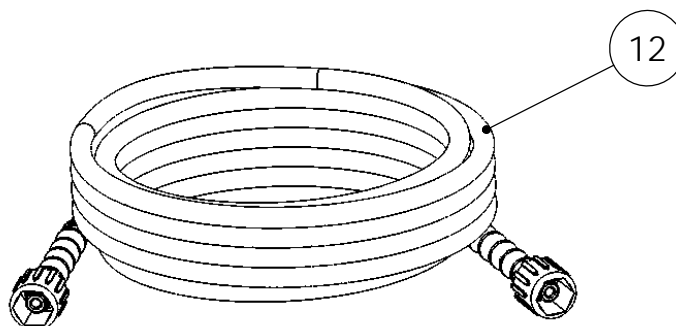
* NOT SHOWN



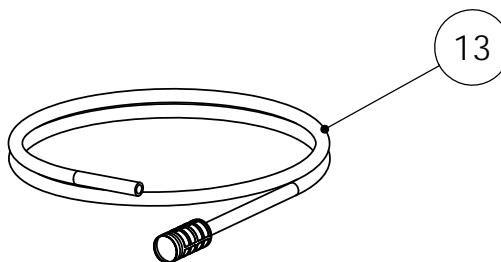
GUN, OEM FRONT ENTRY, OF341 3400 PSI
PART NO. 7107956



Lance, 16" w/1/4 QC and M22(M)
PART NO. 7103550

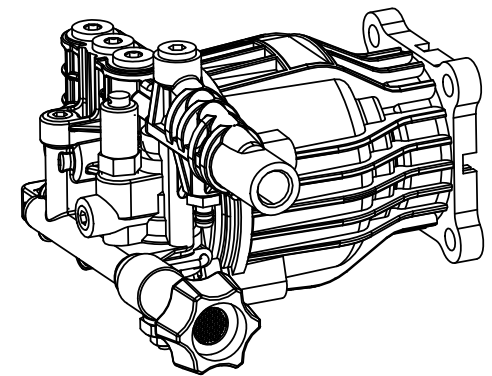
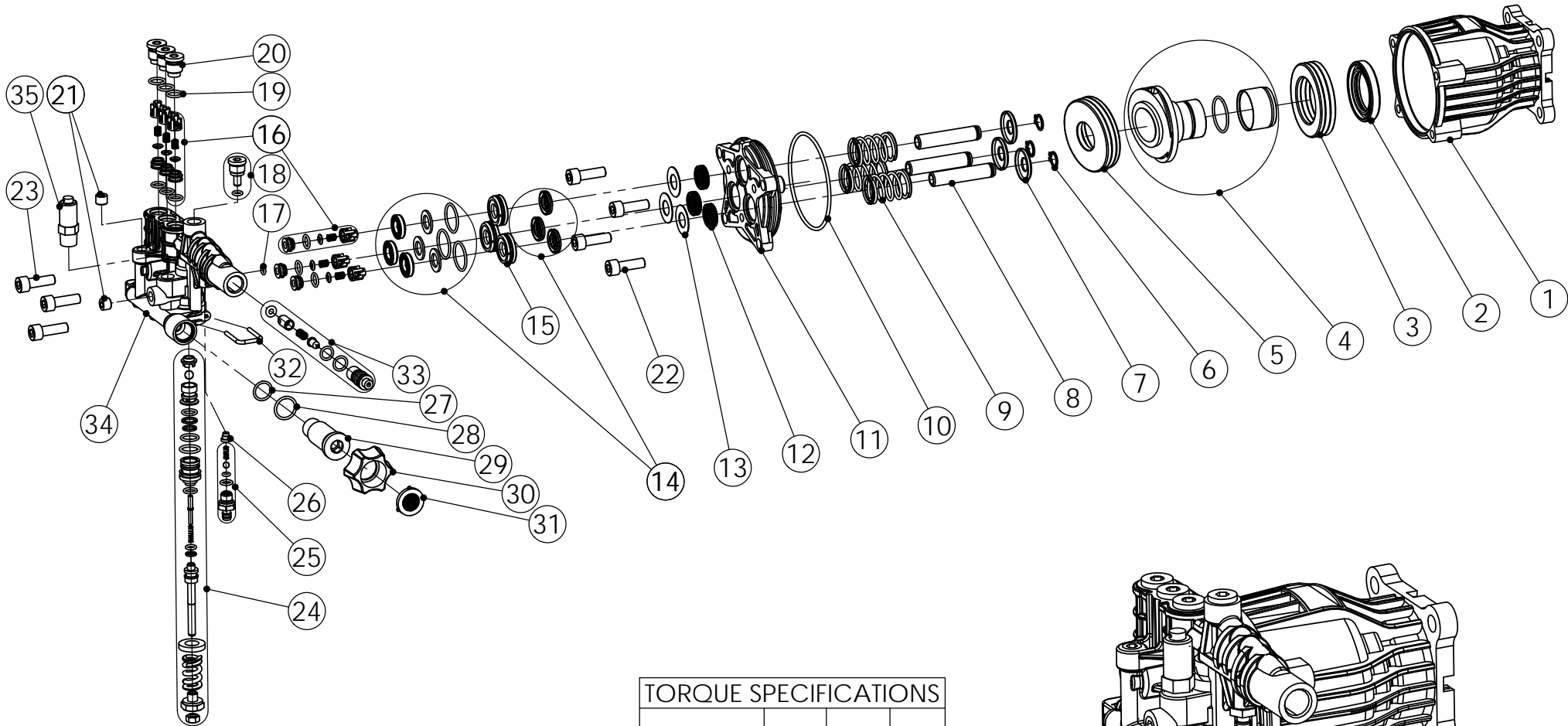


HOSE, MORFLEX 1/4" x 25' x 3100PSI M22(M) x M22(F)
PART NO. 7106419



KIT, SOAP HOSE & FILTER
PART NO. 7102207

PUMP, 2800PSI@2.4GPM HORIZ-AX AL NO P-B
PART NO. 520011



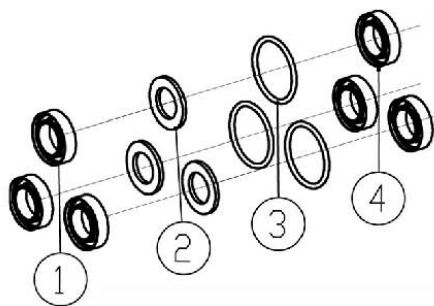
TORQUE SPECIFICATIONS

ITEM	FT-LB	IN-LB	N-M
18	13	159	18
20	13	159	18
22	16	195	22
23	18	221	25
25	10	115	13
29	13	159	18



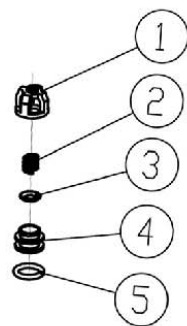
12 PART NO. 7105741

OIL SEAL KIT		
ITEM	QTY	DESCRIPTION
1	3	SEAL, OIL



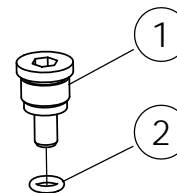
14 PART NO. 7106627

WATER SEAL KIT		
ITEM	QTY	DESCRIPTION
1	3	HIGH PRESSURE SEAL
2	3	BACK RING
3	3	O-RING
4	3	LOW PRESSURE SEAL



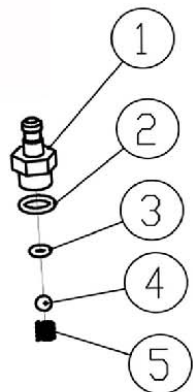
16 PART NO. 7104223

VALVE KIT		
ITEM	QTY	DESCRIPTION
1	6	VALVE CASE
2	6	SPRING
3	6	VALVE PLATE
4	6	VALVE SEAT
5	6	O-RING



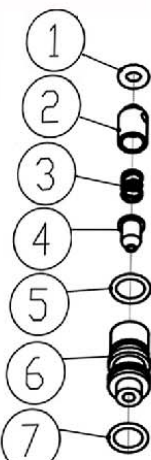
18 PART NO. 7108157

BOOST PLUG KIT		
ITEM	QTY	DESCRIPTION
1	1	BOOST PLUG
2	1	O-RING



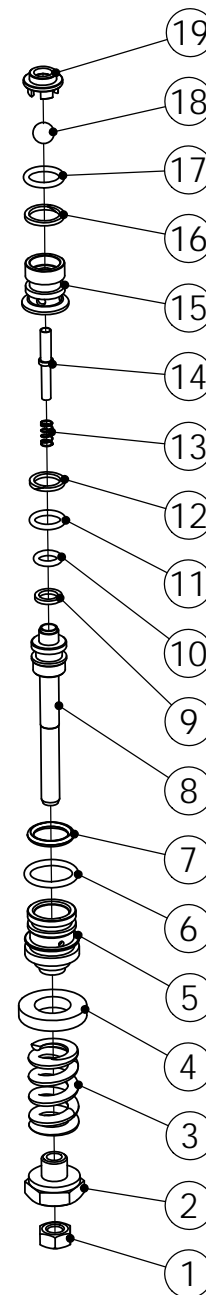
25 PART NO. 7104228

SOAP INJECTOR KIT		
ITEM	QTY	DESCRIPTION
1	1	HOSE BARB
2	1	O-RING
3	1	O-RING
4	1	STEEL BALL
5	1	SPRING



33 PART NO. 7106630

VENTURI TUBE KIT		
ITEM	QTY	DESCRIPTION
1	1	O-RING
2	1	CHECK VALVE CORE
3	1	CHECK VALVE SPRING
4	1	NOZZLE
5	1	O-RING
6	1	VENTURI TUBE
7	1	O-RING



24 PART NO. 7104226

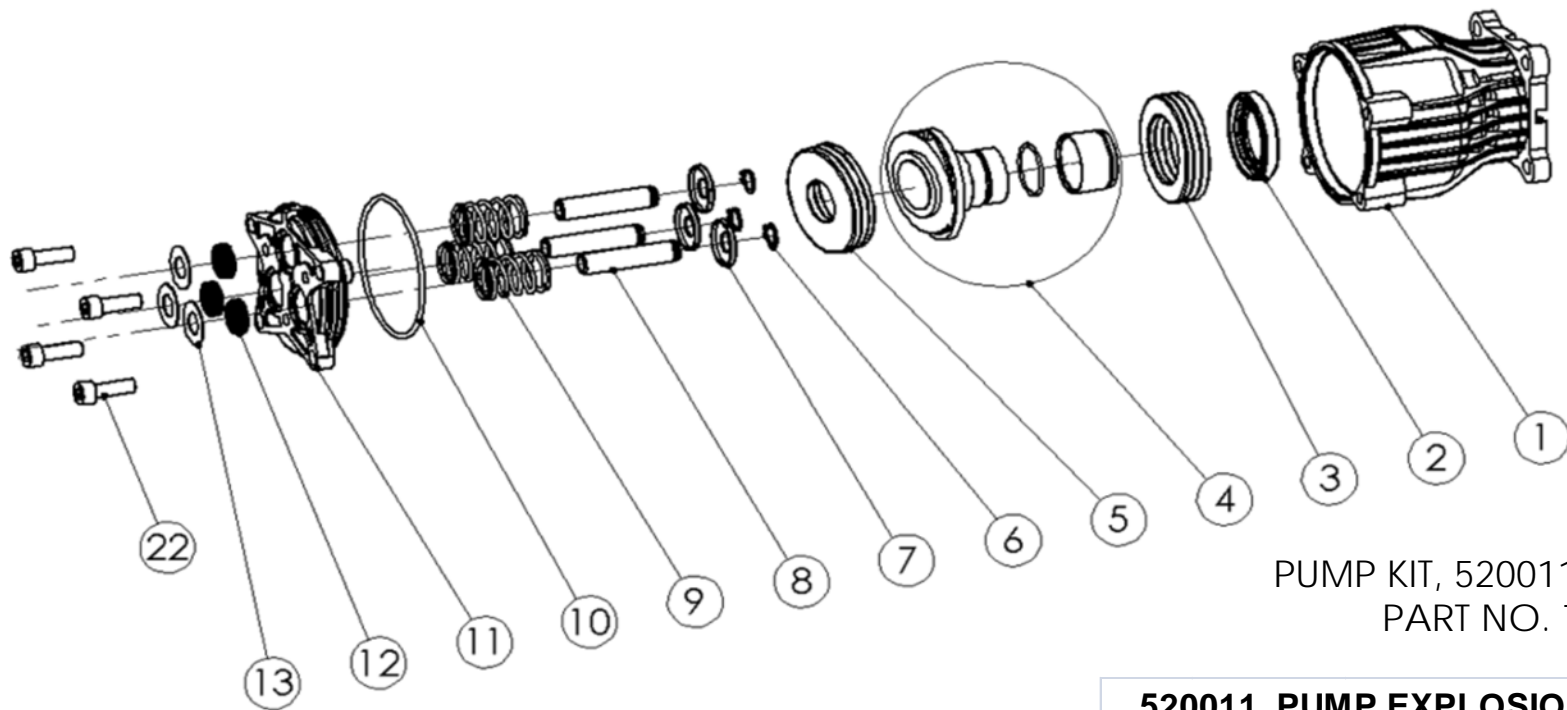
UNLOADER KIT		
ITEM	QTY	DESCRIPTION
1	1	NUT
2	1	ADJUSTING NUT
3	1	SPRING
4	1	SEATING RING
5	1	VALVE SHEATH
6	1	O-RING
7	1	O-RING
8	1	CHECKING RING
9	1	O-RING
10	1	VALVE POLE
11	1	SPRING
12	1	CHECKING RING
13	1	O-RING
14	1	PIN
15	1	UPPER SEAT
16	1	CHECKING RING
17	1	O-RING
18	1	STEEL BALL
19	1	BACK SEAT

520011 PUMP EXPLOSION DRAWING PARTS LIST

ITEM	PART NO.	PART NAME	QTY PER PUMP	COMMENT
1		Case	1	
2		Oil seal	1	
3		Thrusting Bearing 2	1	
4		Wobble Plate	1	
5		Thrusting Bearing 1	1	
6		Clip	3	
7		Spring Base	3	
8		Plunger	3	
9		Spring	3	
10		O-Ring	1	
11		Plunger Base	1	
12	7105741	Oil Seal	3	Oil Seal Kit
13	7106642	Back Ring	3	
14	7106627	High Pressure Water Seal	3	Water Seal Kit
		Back Ring		
		O-Ring		
		Low Pressure Water Seal		
15	7106643	Back Ring	3	
16	7104223	Valve Case	6	Valve Kit (INLET AND OUTLET)
		Spring		
		Valve Plate		
		Valve Seat		
		O-Ring		
17	7106644	O-Ring	1	
18	7108157	Boost Plug	1	Boost Plug Kit
		O-Ring		
19	7106645	O-Ring	3	
20	7106646	Plug	3	
21	7106647	Plug	2	
22	7106648	Screw	3	
23	7106649	Screw	3	

520011 PUMP EXPLOSION DRAWING PARTS LIST

ITEM	PART NO.	PART NAME	QTY PER PUMP	COMMENT
24	7104226	Nut	1	Unloader Kit
		Adjusting Nut		
		Spring		
		Seating Ring		
		Valve Sheath		
		O-Ring		
		O-Ring		
		Checking Ring		
		O-Ring		
		Valve Pole		
		Spring		
		Checking Ring		
		O-Ring		
		Pin		
		Upper Seat		
		Checking Ring		
O-Ring				
Steel Ball				
Back Seat				
25	7104228	Nozzle	1	Soap Injector Kit
		O-Ring		
		O-Ring		
		Steel Ball		
		Spring		
26	7106650	Venturi Tube Back Ring	1	
27	7106651	O-Ring	1	
28	7106652	O-Ring	1	
29	7106653	Inlet Connector	1	
30	7106654	Nut	1	
31	7000123	Filter Gasket	1	
32	7106655	U-Pin	1	
33	7106630	O-Ring	1	Venturi Tube Kit
		Checking Valve Core		
		Checking Valve Spring		
		Nozzle		
		O-Ring		
		Venturi Tube		
		O-Ring		
34		Pump Head	1	
35	7101359	Thermal Relief Valve	1	

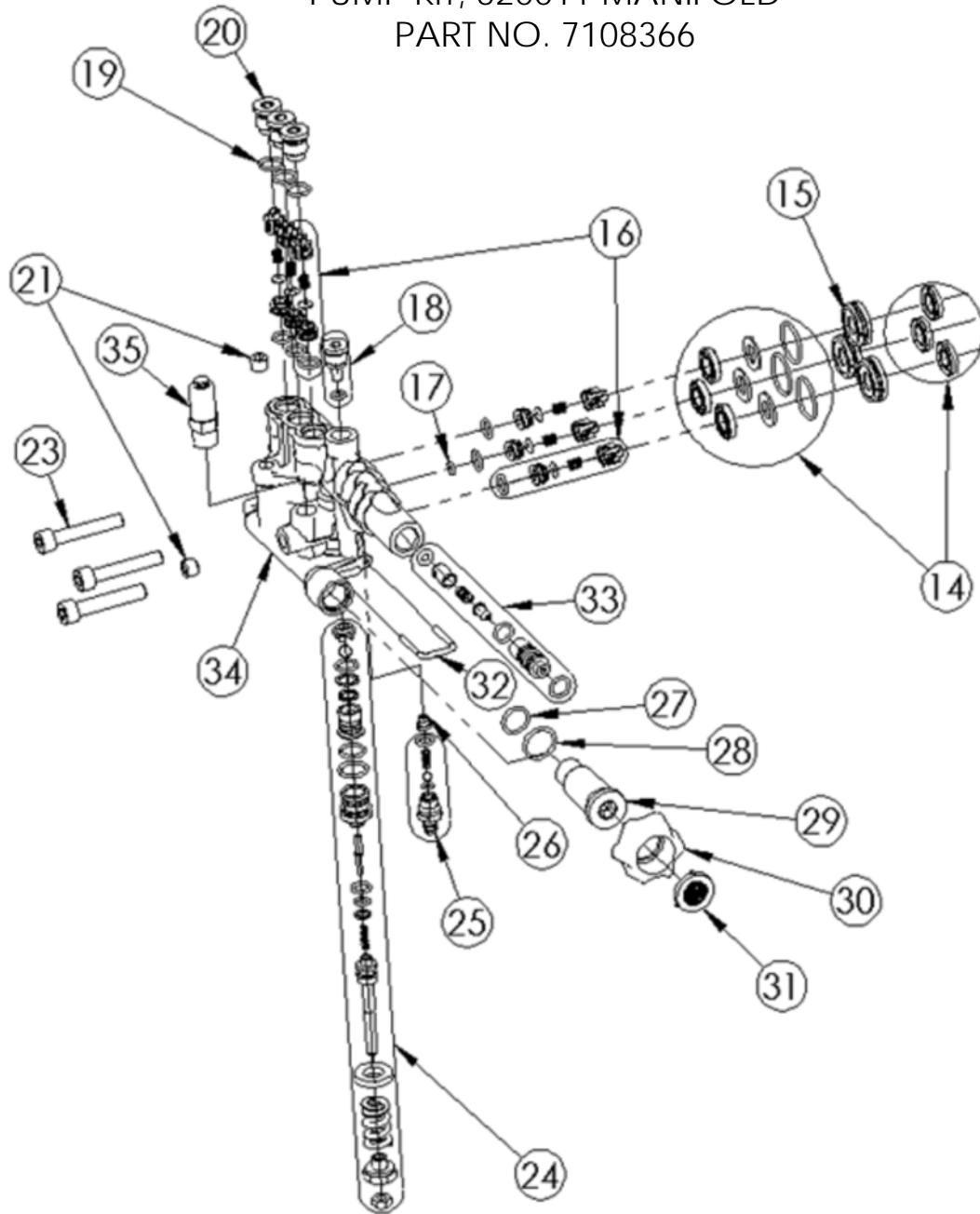


PUMP KIT, 520011 CRANKCASE
PART NO. 7108397

520011 PUMP EXPLOSION DRAWING PARTS LIST

ITEM	PART NO.	DESCRIPTION	QTY PER PUMP	COMMENT
1		Case	1	
2		Oil Seal	1	
3		Thrusting Bearing 2	1	
4		Back Ring, Wobble Plate	1	Wobble Plate
		O-Ring	1	
		Wobble Plate	1	
5		Thrusting Bearing 1	1	
6		Clip	3	
7		Spring Base	3	
8		Plunger	3	
9		Spring, Plunger	3	
10		O-Ring	1	
11		Base, Plunger	1	
12		Oil Seal	3	Oil Seal Kit
13		Back Ring	3	
22		Screw	4	

PUMP KIT, 520011 MANIFOLD
PART NO. 7108366



520011 PUMP EXPLOSION DRAWING PARTS LIST

ITEM	PART NO.	PART NAME	QTY	COMMENT
14		High Pressure Water Seal	3	Water Seal Kit
		Back Ring		
		O-Ring		
		Low Pressure Water Seal		
15		Back Ring	3	
16		Valve Case	6	Valve Kit (INLET AND OUTLET)
		Spring		
		Valve Plate		
		Valve Seat		
		O-Ring		
17		O-Ring	1	
18		Boost Plug	1	Boost Plug Kit
		O-Ring		
19		O-Ring	3	
20		Plug	3	
21		Plug	2	
23		Screw	3	
24		Nut	1	Unloader Kit
		Adjusting Nut		
		Spring		
		Seating Ring		
		Valve Sheath		
		O-Ring		
		O-Ring		
		Checking Ring		
		O-Ring		
		Valve Pole		
		Spring		
		Checking Ring		
		O-Ring		
		Pin		
		Upper Seat		
		Checking Ring		
O-Ring				
Steel Ball				
Back Seat				
25		Nozzle	1	Soap Injector Kit
		O-Ring		
		O-Ring		
		Steel Ball		
		Spring		
26		Venturi Tube Back Ring	1	
27		O-Ring	1	
28		O-Ring	1	
29		Inlet Connector	1	
30		Nut	1	
31		Filter Gasket	1	
32		U-Pin	1	
33		O-Ring	1	Venturi Tube Kit
		Checking Valve Core		
		Checking Valve Spring		
		Nozzle		
		O-Ring		
		Venturi Tube		
O-Ring				
34		Pump Head	1	
35		Thermal Relief Valve	1	