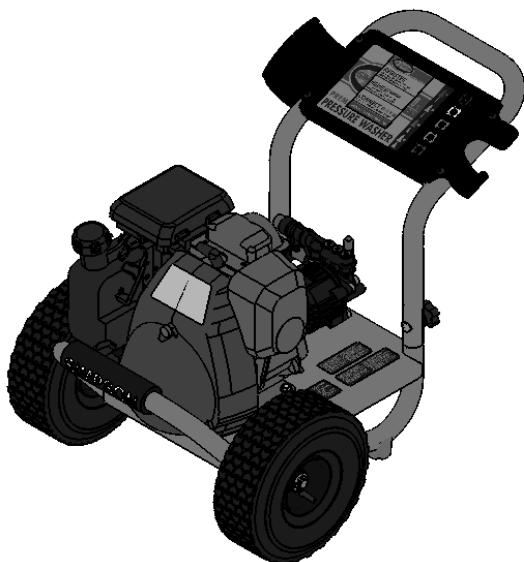
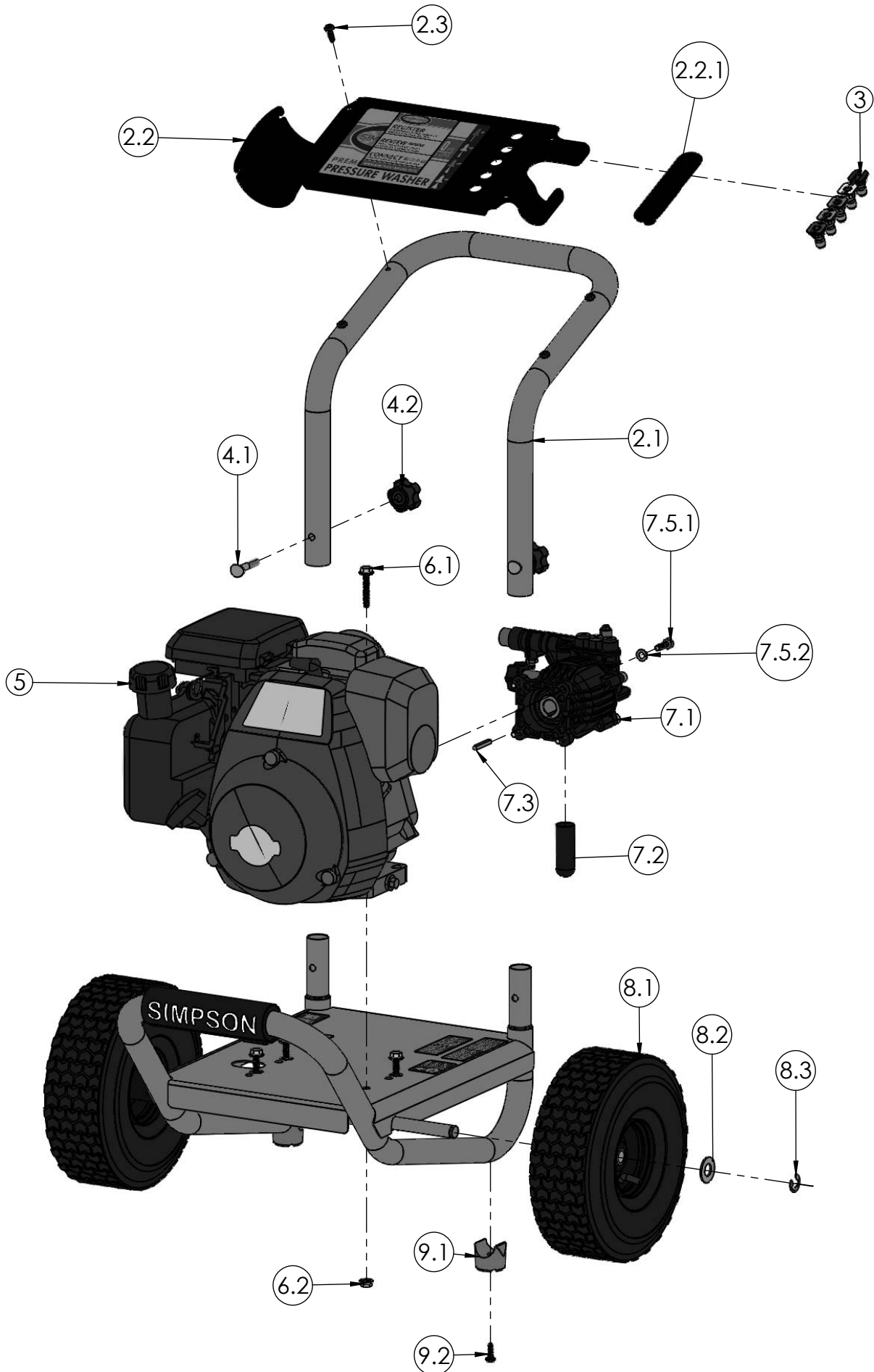


	ITEM	PART NO	DESCRIPTION	QTY.
	1	7109230	FRAME, BASE ASSY, 11.75 SILVER W/LABELS	1
†	1.1		FRAME, BASE ASSY SILVER 11.75" C-C	1
†	1.2		HANDLE GRIP, SIMPSON BLACK W/ WHITE LETTERING	1
	2	7109277	HANDLE ASSEMBLY KIT, MS60852	1
†	2.1		HANDLE, SILVER 11.75" C-C	1
	2.2	7109326	DASHBOARD-NOZZLE HOLDER ASSEMBLY, 11.75" BLACK	1
	2.2.1	7103161	NOZZLE HOLDER, 5PC RUBBER	1
†	2.3		SCREW , TORX PANHEAD TT 1/4"-20 x 3/4"	4
	3	7104818	NOZZLE,#2.80 5PCSET 0, 15, 25, 40 & SOAP	1
	4	7107941	HARDWARE KIT, HANDLE MOUNTING	2
†	4.1		BOLT, SADDLE 5/16"-18 x 2"	1
†	4.2		KNOB, HANDLE 5/16-18	1
	5	7107312	ENGINE SERVICE ASSEMBLY HONDA GC190	1
	6	7103750	MOUNTING KIT, ENGINE	1
†	6.1		BOLT, FLANGE 5/16"-18 x 1 3/4" HHFB	4
†	6.2		NUT, WHIZ 5/16"-18	4
	7	7109581	PUMP, SVC ASSY	1
†	7.1	520004	PUMP, HORZ, 12mmx12DEG, P/B, AL UNIHEAD	1
†	7.2		CAP, UNLOADER COVER 1 1/2" x 5/8" BLACK	1
	7.3	7101506	KEY, SHAFT 3/16 X 3/16 X 1-1/2	1
	7.4	7102207	KIT, SVC ASSY SOAP HOSE W/PLASTIC FILTER	1
	7.5	7105474	HARDWARE KIT, PUMP MOUNTING	1
†	7.5.1		BOLT 5/16"-24 x 1" HHCS GR5	4
†	7.5.2		WASHER, SPLIT-LOCK 5/16" RUST RESISTANT	4
	8	7105013	WHEEL, SERVICE KIT	1
†	8.1		POWER WASHER WHEEL, 4" x 10" BLK W/ 5/8" BRG	2
†	8.2		WASHER, 5/8" FLAT	2
†	8.3		CLIP, E-TYPE 0.625" x 0.042"	2
	9	7109385	FOOT SERVICE KIT	2
†	9.1		NITRILE (E-BUNA) RUBBER FOOT, 1.50" x 1.36", GRAY	1
†	9.2		BOLT, FLANGE 5/16"-18	1
*	10	7102045	TOOL, NOZZLE CLEANING, UNIVERSAL	1
*	11	7109344	BOX, MS31025 MODEL SPECIFIC SHIPPING	1

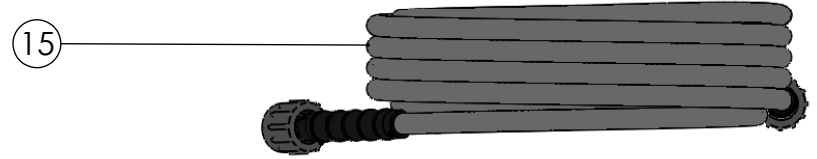
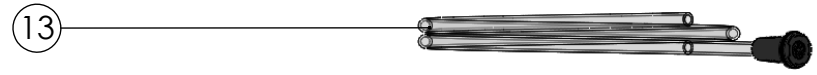


* NOT SHOWN
† NOT SOLD SEPERATELY

NAME		DATE	FNA-GROUP	
DRAWN	HB	1/24/17	1265 INDUSTRIAL STREET, DECATUR, AR 72722	
CHECKED	DH	1/26/17	TITLE:	
ENG APPR.	GN	1/27/17	MS60852 3200PSI @ 2.5	
MFG APPR.	-	-	GPM	
Q.A. APPR.	CG	1/27/17	SIZE DWG. NO.	
SERVICE APPR.	DH	1/26/17	A 60852-S	
PROPRIETARY AND CONFIDENTIAL THE INFORMATION CONTAINED IN THIS DRAWING IS THE SOLE PROPERTY OF FNA-GROUP. ANY REPRODUCTION IN PART OR AS A WHOLE WITHOUT THE WRITTEN PERMISSION OF FNA-GROUP IS PROHIBITED.			REV.	A
SCALE: 1:12		ECN# DC17-0003	SHEET 1 OF 4	



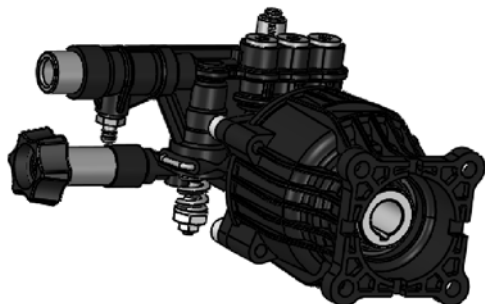
ITEM	PART NO	DESCRIPTION	QTY.
12	7108124	GUN 4500PSI, 6.6 GPM M22(M) x M22(F) OEM	1
13	7102207	KIT, SVC ASSY SOAP HOSE W/PLASTIC FILTER	1
14	7103550	LANCE, 16" W/ 1/4 QC AND M22(M)	1
15	7106419	HOSE, MORFLEX 1/4" x 25' x 3100PSI M22(M) x M22(F)	1



* NOT SHOWN
† NOT SOLD SEPERATELY

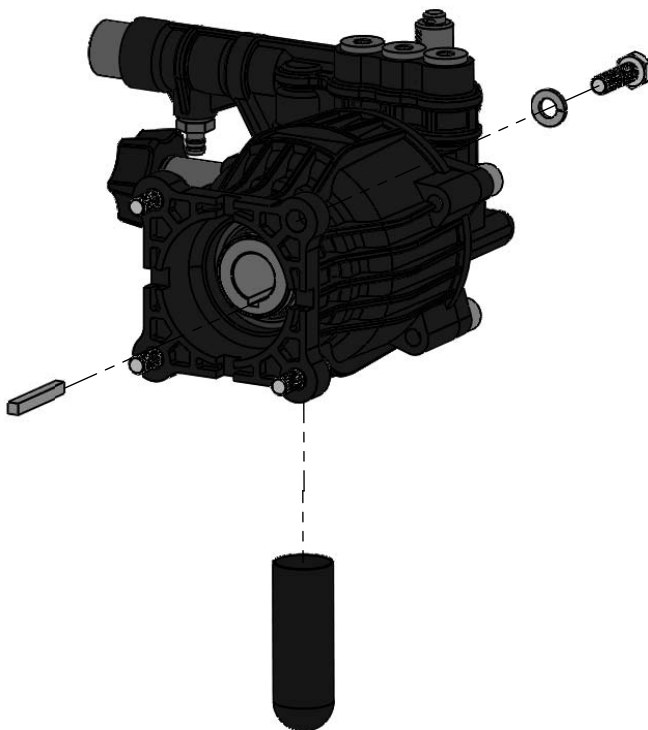
SIZE A	DWG. NO. 60852-S	REV. A
SCALE: 1:5	ECN# DC17-0003	SHEET 3 OF 4

ITEM	PART NO	DESCRIPTION	QTY.
6	7109581	PUMP, SVC ASSY	1
6.1	520004	PUMP, HORZ, 12mmx12DEG, P/B, AL UNIHEAD	1
6.2		CAP, UNLOADER COVER 1 1/2" x 5/8" BLACK	1
6.3	7101506	KEY, SHAFT 3/16 X 3/16 X 1-1/2	1
6.4	7102207	KIT, SVC ASSY SOAP HOSE W/PLASTIC FILTER	1
6.5	7105474	HARDWARE KIT, PUMP MOUNTING	1
6.5.1		BOLT 5/16"-24 x 1" HHCS GR5	4
6.5.2		WASHER, SPLIT-LOCK 5/16" RUST RESISTANT	4



6.1

**PUMP, HORZ, 12mmx12DEG, P/B, AL UNIHEAD
PART NO. 520004**



6

**PUMP, SVC ASSY PART
NO. 7109581**

* NOT SHOWN
† NOT SOLD SEPERATELY

SIZE A	DWG. NO. 60852-S	REV. A
SCALE: 1:3	ECN# DC17-0003	SHEET 4 OF 4

PHOENIX 28 SERIES AXIAL PUMP IPL

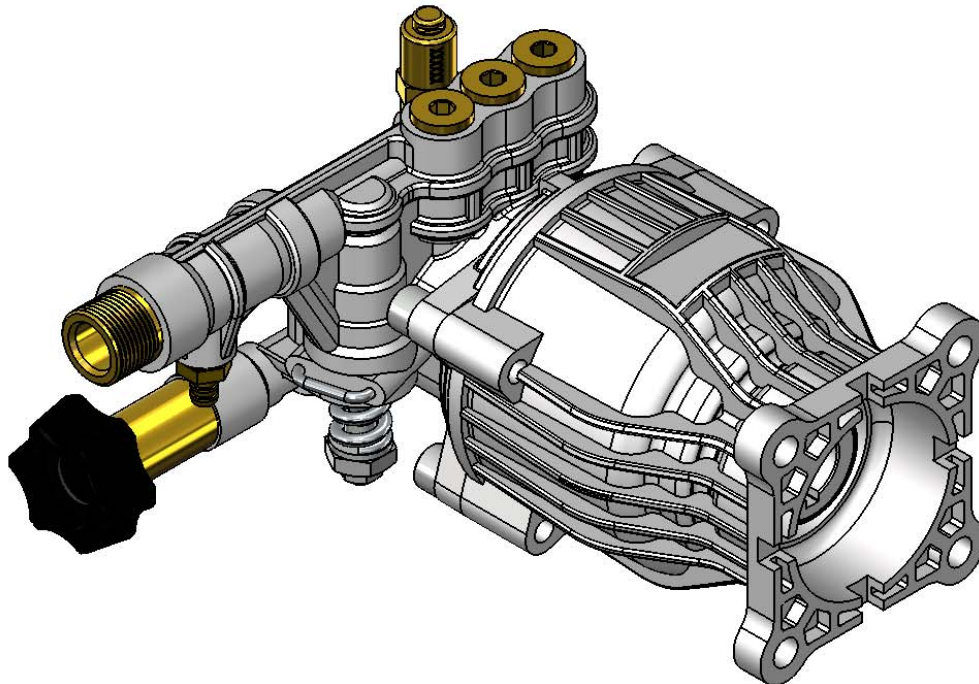
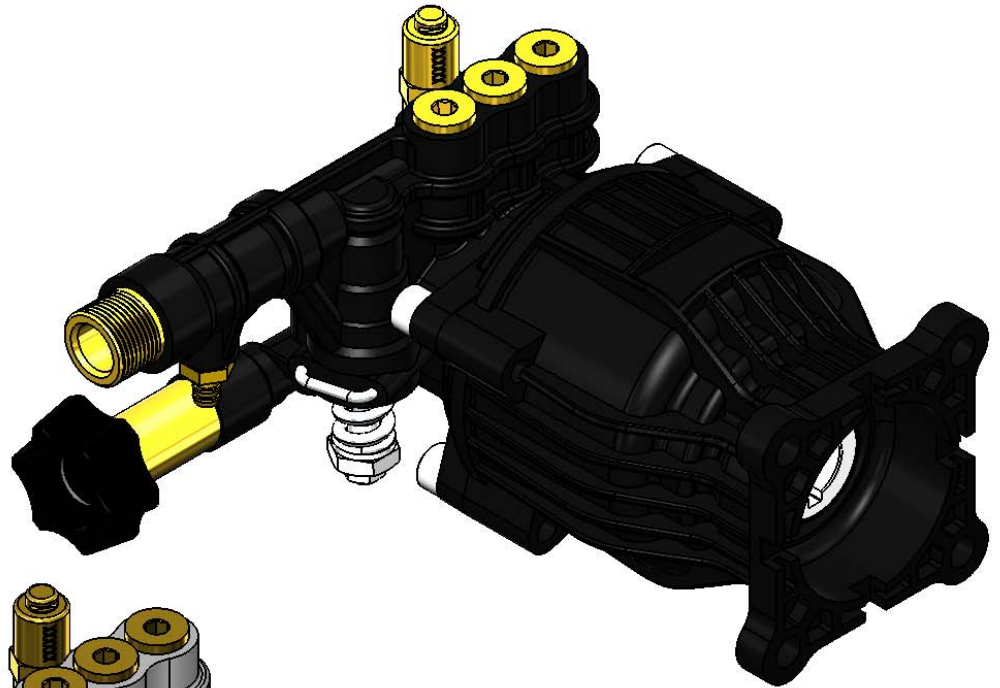
PUMPS COVERED IN THIS IPL

520004

2.4GPM @ 3000PSI

520006

2.4GPM @ 3000PSI



	NAME	DATE
DRAWN	JHS	AUG 2017
CHECKED	DH/OSW	AUG 2017
ENG APPR.	OSW	AUG 2017
MFG APPR.	-	-
O.A. APPR.	-	-
SERVICE APPR.	DH	AUG 2017

PROPRIETARY AND CONFIDENTIAL
 THE INFORMATION CONTAINED IN THIS DRAWING IS THE SOLE PROPERTY OF FNA-GROUP. ANY REPRODUCTION IN PART OR AS A WHOLE WITHOUT THE WRITTEN PERMISSION OF FNA-GROUP IS PROHIBITED.

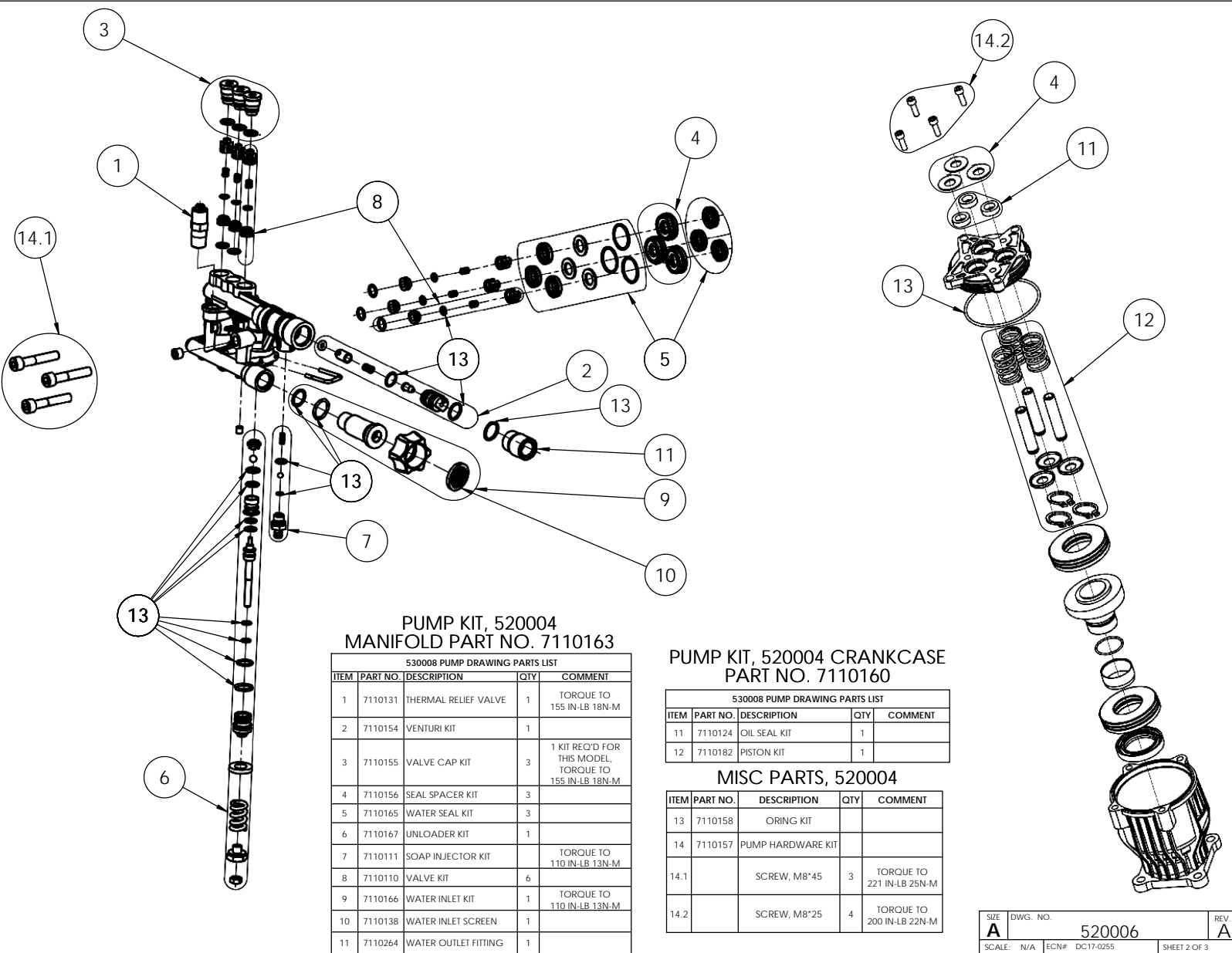
FNA-GROUP

1265 INDUSTRIAL STREET, DECATUR, AR 72722

TITLE:

PHOENIX 520004 520006
IPL

SIZE	DWG. NO.	REV.
A	520004 520006	A
SCALE: N/A	ECN# DC17-0255	SHEET 1 OF 3



**PUMP KIT, 520004
MANIFOLD PART NO. 7110163**

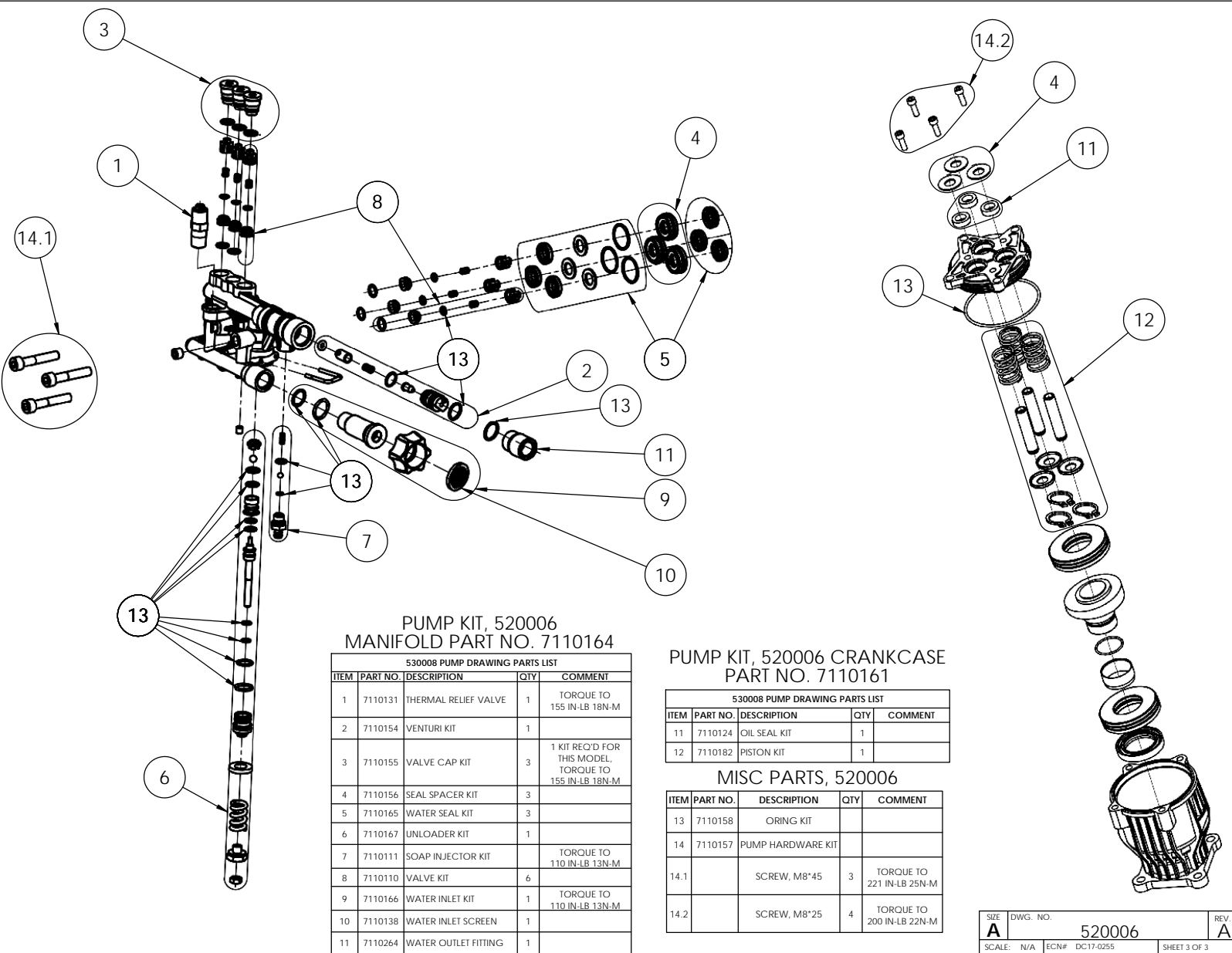
530008 PUMP DRAWING PARTS LIST				
ITEM	PART NO.	DESCRIPTION	QTY	COMMENT
1	7110131	THERMAL RELIEF VALVE	1	TORQUE TO 155 IN-LB 18N-M
2	7110154	VENTURI KIT	1	
3	7110155	VALVE CAP KIT	3	1 KIT REQ'D FOR THIS MODEL, TORQUE TO 155 IN-LB 18N-M
4	7110156	SEAL SPACER KIT	3	
5	7110165	WATER SEAL KIT	3	
6	7110167	UNLOADER KIT	1	
7	7110111	SOAP INJECTOR KIT		TORQUE TO 110 IN-LB 13N-M
8	7110110	VALVE KIT	6	
9	7110166	WATER INLET KIT	1	TORQUE TO 110 IN-LB 13N-M
10	7110138	WATER INLET SCREEN	1	
11	7110264	WATER OUTLET FITTING	1	

**PUMP KIT, 520004 CRANKCASE
PART NO. 7110160**

530008 PUMP DRAWING PARTS LIST				
ITEM	PART NO.	DESCRIPTION	QTY	COMMENT
11	7110124	OIL SEAL KIT	1	
12	7110182	PISTON KIT	1	

MISC PARTS, 520004

ITEM	PART NO.	DESCRIPTION	QTY	COMMENT
13	7110158	ORING KIT		
14	7110157	PUMP HARDWARE KIT		
14.1		SCREW, M8*45	3	TORQUE TO 221 IN-LB 25N-M
14.2		SCREW, M8*25	4	TORQUE TO 200 IN-LB 22N-M



PUMP KIT, 520006
MANIFOLD PART NO. 7110164

530008 PUMP DRAWING PARTS LIST				
ITEM	PART NO.	DESCRIPTION	QTY	COMMENT
1	7110131	THERMAL RELIEF VALVE	1	TORQUE TO 155 IN-LB 18N-M
2	7110154	VENTURI KIT	1	
3	7110155	VALVE CAP KIT	3	1 KIT REQ'D FOR THIS MODEL, TORQUE TO 155 IN-LB 18N-M
4	7110156	SEAL SPACER KIT	3	
5	7110165	WATER SEAL KIT	3	
6	7110167	UNLOADER KIT	1	
7	7110111	SOAP INJECTOR KIT		TORQUE TO 110 IN-LB 13N-M
8	7110110	VALVE KIT	6	
9	7110166	WATER INLET KIT	1	TORQUE TO 110 IN-LB 13N-M
10	7110138	WATER INLET SCREEN	1	
11	7110264	WATER OUTLET FITTING	1	

PUMP KIT, 520006 CRANKCASE
PART NO. 7110161

530008 PUMP DRAWING PARTS LIST				
ITEM	PART NO.	DESCRIPTION	QTY	COMMENT
11	7110124	OIL SEAL KIT	1	
12	7110182	PISTON KIT	1	

MISC PARTS, 520006

ITEM	PART NO.	DESCRIPTION	QTY	COMMENT
13	7110158	ORING KIT		
14	7110157	PUMP HARDWARE KIT		
14.1		SCREW, M8*45	3	TORQUE TO 221 IN-LB 25N-M
14.2		SCREW, M8*25	4	TORQUE TO 200 IN-LB 22N-M