

	ITEM	PART NO	DESCRIPTION	QTY.
	1	7109235	FRAME, BASE ASSY, 11.75 BLACK WITH LABELS	1
†	1.1		FRAME, BASE ASSY BLACK 11.75" C-C	1
	1.2	7105186	HANDLE GRIP, SILVER/WHITE SIMPSON	1
	2	7105013	WHEEL, SERVICE KIT	1
†	2.1		POWER WASHER WHEEL, 4" x 10" BLK W/ 5/8" BRG	2
†	2.2		WASHER, 5/8" FLAT	2
†	2.3		CLIP, E-TYPE 0.625" x 0.042"	2
	3	7109385	FOOT SERVICE KIT	2
†	3.1		NITRILE (E-BUNA) RUBBER FOOT, 1.50" x 1.36", GRAY	1
†	3.2		BOLT, FLANGE 5/16"-18	1
	4	7105472	GC190 HONDA ENGINE, SVC ASSY W/LABELS	1
	5	7103750	MOUNTING KIT, ENGINE	1
†	5.1		BOLT, FLANGE 5/16"-18 x 1 3/4" HHFB	4
†	5.2		NUT, WHIZ 5/16"-18	4
	6	7109581	PUMP, SVC ASSY KIT	1
	6.1	520004	PUMP, HORZ, 12mmx12DEG, P/B, AL UNIHEAD	1
	6.2	7104122	CAP, UNLOADER COVER 1 1/2" x 5/8" BLACK	1
	6.3	7101506	KEY, SHAFT 3/16 X 3/16 X 1-1/2	1
*	6.4	7102207	KIT, SVC ASSY SOAP HOSE W/PLASTIC FILTER	1
	6.5	7105474	HARDWARE KIT, PUMP MOUNTING	1
†	6.5.1		BOLT 5/16"-24 x 1" HHCS GR5	4
†	6.5.2		WASHER, SPLIT-LOCK 5/16" RUST RESISTANT	4
	7	7109278	HANDLE ASSEMBLY KIT, MS60551	1
	7.1	7109221	HANDLE, BLACK 11.75" C-C	1
	7.2	7108147	DASHBOARD-HOLDER ASSY	1
	7.2.1	7104983	PLATE, DASHBOARD SILVER 11.75" C-C	1
†	7.3		SCREW , TORX PANHEAD TT 1/4"-20 x 3/4"	4
	8	7102122	BUTTON, SNAP	2
	9	7103743	NOZZLE 5PC Set #3.0 1/4 QC-M 0,15,25,40 & SOAP	1
*	10	7102045	TOOL, NOZZLE CLEANING, UNIVERSAL	1
*	11	7104573	MANUAL, OWNER'S MSH3125 (60559)	1



* NOT SHOWN
† NOT SOLD SEPERATELY

PUMP INFORMATION TABLE			
MACHINE SERIAL NO.	PUMP TYPE	PUMP PART NO.	PUMP KIT NO.
101225 TO 710889	3000PSI @ 2.4GPM	7106161	7104979
715754 TO 1334797	3100PSI @ 2.4GPM	520002	7106161
1334798 TO PRESENT	3100PSI @ 2.5GPM	520004	7109581

	NAME	DATE
DRAWN	HB	1/31/17
CHECKED	DH	Feb 2017
ENG APPR.	SW	Feb 2017
MFG APPR.	-	-
O.A. APPR.	CG	Feb 2017
SERVICE APPR.	DH	Feb 2017

PROPRIETARY AND CONFIDENTIAL
THE INFORMATION CONTAINED IN THIS DRAWING IS THE SOLE PROPERTY OF FNA-GROUP. ANY REPRODUCTION IN PART OR AS A WHOLE WITHOUT THE WRITTEN PERMISSION OF FNA-GROUP IS PROHIBITED.

FNA-GROUP		
1265 INDUSTRIAL STREET, DECATUR, AR 72722		
TITLE:		
MSH3125-S		
3100PSI@2.5GPM GC190		
SIZE	DWG. NO.	REV.
A	60551-S	C
SCALE:	N/A	ECN# DC17-0028
		SHEET 1 OF 4

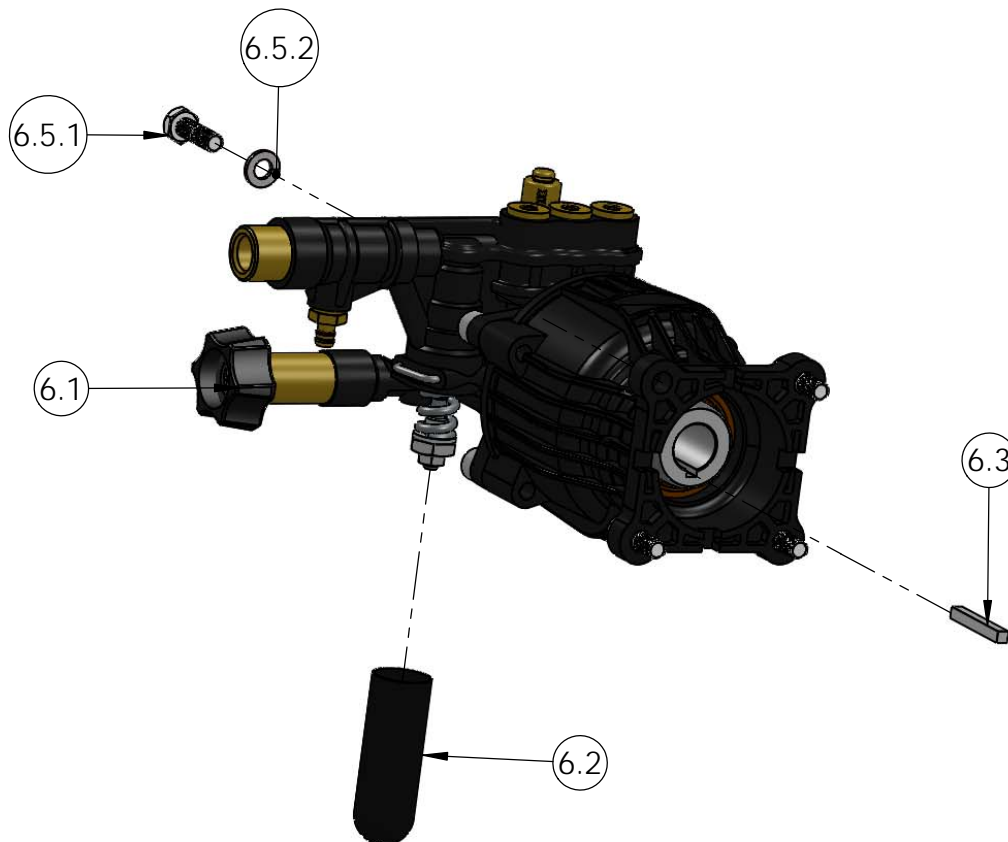


SIZE	DWG. NO.	REV.
A	60551-S	C
SCALE: N/A	ECN# DC17-0028	SHEET 2 OF 4

ITEM	PART NO	DESCRIPTION	QTY.
6	7109581	PUMP, SVC ASSY KIT	1
6.1	520004	PUMP, HORZ, 12mmx12DEG, P/B, AL UNIHEAD	1
6.2	7104122	CAP, UNLOADER COVER 1 1/2" x 5/8" BLACK	1
6.3	7101506	KEY, SHAFT 3/16 X 3/16 X 1-1/2	1
* 6.4	7102207	KIT, SVC ASSY SOAP HOSE W/PLASTIC FILTER	1
6.5	7105474	HARDWARE KIT, PUMP MOUNTING	1
† 6.5.1		BOLT 5/16"-24 x 1" HHCS GR5	4
† 6.5.2		WASHER, SPLIT-LOCK 5/16" RUST RESISTANT	4



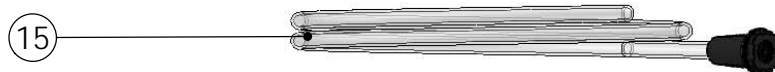
⑥.1 PUMP, HORZ, 12mmx12DEG, P/B, AL UNIHEAD
PART NO. 520004



⑥ PUMP, SVC ASSY KIT
PART NO. 7109581

* NOT SHOWN
† NOT SOLD SEPERATELY

ITEM	PART NO	DESCRIPTION	QTY.
12	7106419	HOSE, MORFLEX 1/4" x 25' x 3100PSI M22(M) x M22(F)	1
13	7103550	LANCE, 16" W/ 1/4 QC AND M22(M)	1
14	7108124	GUN 4500PSI, 6.6 GPM M22(M) x M22(F) OEM	1
15	7102207	KIT, SVC ASSY SOAP HOSE W/PLASTIC FILTER	1



* NOT SHOWN
† NOT SOLD SEPERATELY

SIZE	DWG. NO.	REV.
A	60551-S	C
SCALE: N/A	ECN# DC17-0028	SHEET 4 OF 4