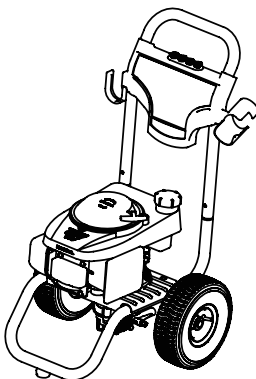


| ITEM | PART NO | DESCRIPTION | QTY. |
|------|---------|---|------|
| 1 | 7106858 | FRAME, SERVICE ASSEMBLY, RED | 1 |
| 2 | 7104116 | HANDLE, ASSY WITH BONNET, NOZZLE STRIP & LABEL | 1 |
| † | 2.1 | HANDLE, BENT TUBE RED | 1 |
| † | 2.2 | 7105906 BONNET, SERVICE ASSEMBLY WITH LABELS | 1 |
| † | 2.3 | SCREW, 1/4-20 TORX PANHEAD | 2 |
| | 3 | 7104047 ENGINE SERVICE ASSEMBLY WITH LABELS, HONDA GCV160 | 1 |
| | 4 | 7104174 KEY, SHAFT 3/16SQ X 1-1/4 | 1 |
| | 5 | 7105466 OEM PUMP SERVICE ASSEMBLY, 3000PSI @2.4GPM | 1 |
| ¶ | 5.1 | 510003 OEM PUMP, 3000PSI @2.4GPM | 1 |
| † | 5.2 | CAP, UNLOADER COVER | 1 |
| † | 5.3 | BOLT, 5/16"-18 x 2" FLANGE | 3 |
| † | 5.4 | NUT, 5/16"-18 WHIZ | 3 |
| | 6 | 7103292 FOOT KIT, RUBBER FOOT AND SCREW | 1 |
| † | 6.1 | FOOT, RUBBER 1.5 X 5/16 | 1 |
| † | 6.2 | SCREW, 1/4 TORX PANHEAD | 1 |
| | 7 | 7102122 BUTTON, SNAP | 2 |
| | 8 | 7103776 HARDWARE KIT, ENGINE MOUNT | 1 |
| † | 8.1 | BOLT, FLANGE 5/16-18 | 3 |
| † | 8.2 | NUT, WHIZ 5/16-18 | 3 |
| | 9 | 7106805 WHEEL KIT, SERVICE ASSEMBLY | 2 |
| † | 9.1 | WHEEL, 10 x 4 (4.10/3.50-4) BLACK HUB | 1 |
| † | 9.2 | AXLE, STUB Ø.625" X 4.614" ROUND HEAD ZINC PLATED | 1 |
| † | 9.3 | CLIP, E-TYPE 5/8" X 0.042 | 1 |
| † | 9.4 | WASHER, 5/8 FLAT | 1 |
| | 10 | 7100637 NOZZLE, SET 4 PC 3.0 | 1 |
| | 11 | 7104847 GUN, 3000PSI @8GPM | 1 |
| | 12 | 7103550 LANCE, 16IN, 1/4 QC M(22) | 1 |
| | 13 | 7102768 HOSE, 3000PSI BLACK, 1/4 X 25' | 1 |
| | 14 | 7101682 SOAP HOSE, 1/4 X 51" CLEAR | 1 |
| * | 15 | 7102045 UNIVERSAL NOZZLE CLEANING TOOL | 1 |
| * | 16 | 7104572 MANUAL, OWNER'S MSV2623 | 1 |
| * | 17 | 7105699 BOX, SHIPPING | 1 |

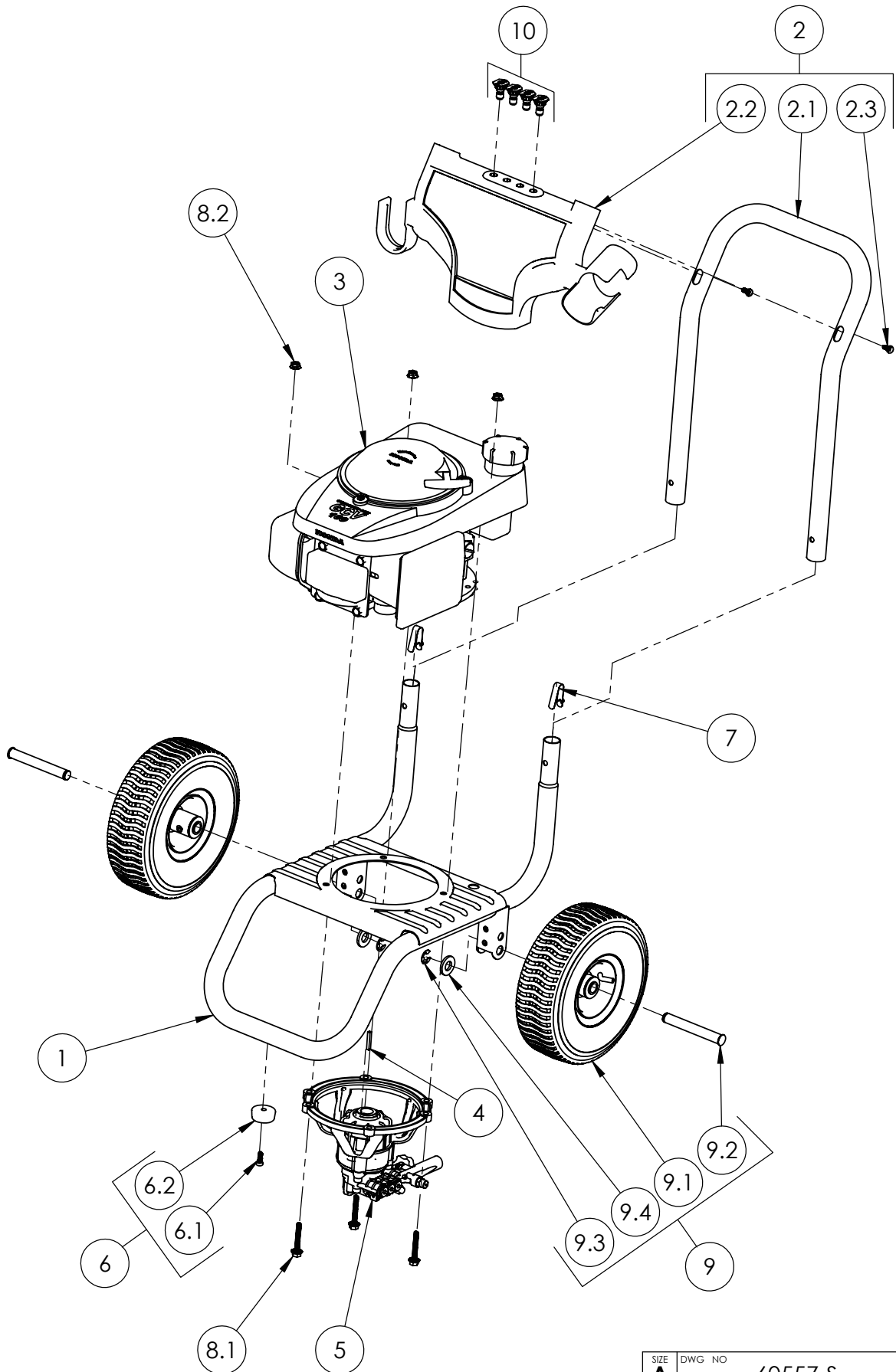
* NOT SHOWN
† NOT SOLD SEPARATELY

| PUMP IDENTIFICATION TABLE | | | |
|---------------------------|---------------------------|--------------|---------------|
| MACHINE SERIAL NO. | PUMP TYPE | PUMP KIT NO. | PUMP PART NO. |
| 69420 TO 474825 | VERTICAL, 2700PSI @2.3GPM | 7106853 | 7104074 |
| 537700 TO PRESENT | OEM PUMP, 3000PSI @2.4GPM | 7105466 | 510003 |

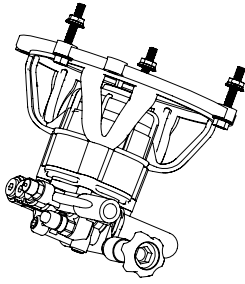


ONLY THE LATEST VERSION OF THE PUMP IS AVAILABLE FOR REPLACEMENT

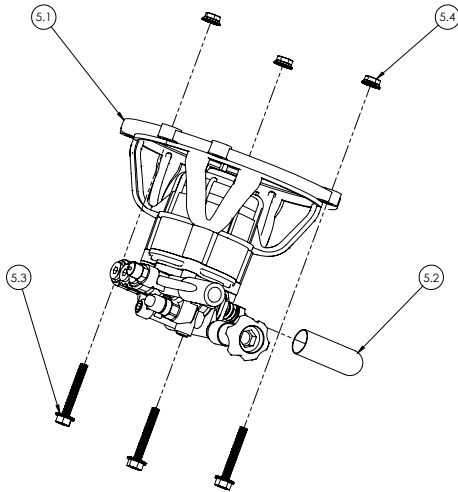
| | | | | |
|--|--|--|--|--|
| FNA-GROUP 1265 INDUSTRIAL STREET DECATUR AR 72722 | | | MSV2623-S | |
| <small>DRAWN</small> MAV <small>CHECKED</small> M G <small>ENG APPR</small> JEW <small>MFG APPR</small> <small>Q A APPR</small> JEP <small>SERVICE APPR</small> D H | <small>NAME</small> <small>DATE</small> | <small>DATE</small> 5/07/2013 5/21/2013 5/21/2013 5/21/2013 5/20/2013 | <small>TITLE:</small> | <small>SIZE</small> A <small>DWG NO</small> 60557-S <small>REV</small> A |
| <small>PROPRIETARY AND CONFIDENTIAL</small> <small>THE INFORMATION CONTAINED IN THIS DRAWING IS THE SOLE PROPERTY OF FNA-GROUP. ANY REPRODUCTION IN PART OR AS A WHOLE WITHOUT THE WRITTEN PERMISSION OF FNA-GROUP IS PROHIBITED.</small> | | | <small>SCALE:</small> N/A <small>ECH#</small> DC13-0121 <small>SHEET 1 OF 11</small> | |



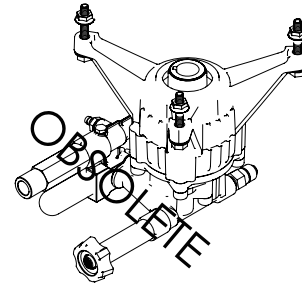
| | | | |
|----------|----------------|------|---------------|
| SIZE | DWG NO | | REV |
| A | 60557-S | | A |
| SCALE: | N/A | ECH# | DC13-0121 |
| | | | SHEET 2 OF 11 |



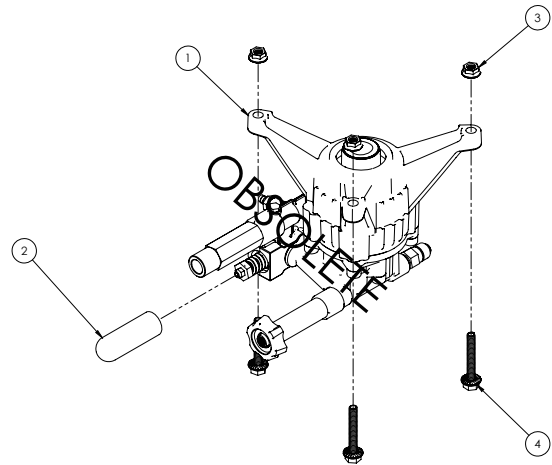
PUMP SERVICE ASSEMBLY
PART NO. 7105466



| ITEM | PART NO | DESCRIPTION | QTY |
|------|---------|---------------------------|-----|
| 5.1 | S10003 | OBM PUMP 3000PSI @2.4GPM | 1 |
| 5.2 | 7104122 | CAP UNLOADER COVER | 1 |
| 5.3 | | BOLL 5/16"-18 X 2" FLANGE | 3 |
| 5.4 | | NUT 5/16"-18 WHIZ | 3 |

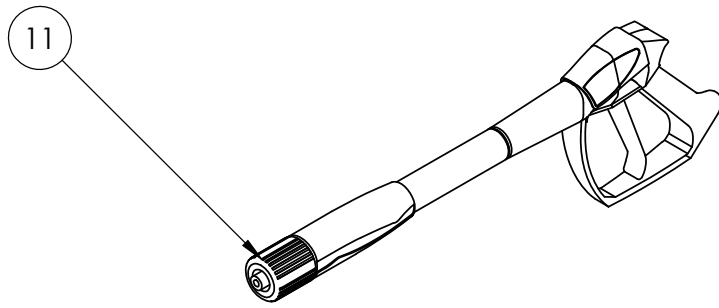


PUMP SERVICE ASSEMBLY
PART NO. 7106853

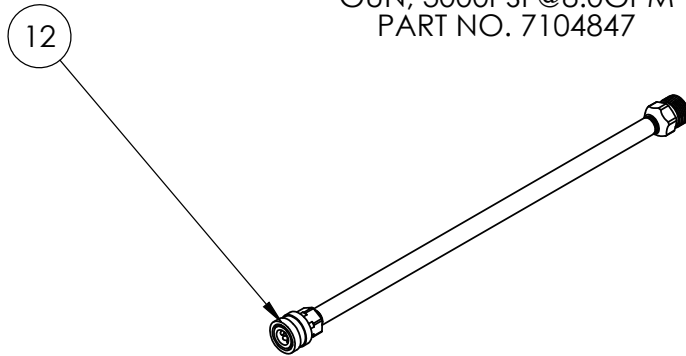


| ITEM | PART NO | DESCRIPTION | QTY |
|------|---------|--|-----|
| 1 | 7104074 | PUMP 3000PSI @ 2.4GPM VERTICAL AXIAL WATER INLET KIT | 1 |
| | | OUTLET EXTENSION KIT | 1 |
| | | VALVE THERMAL RELIEF 1/4" NPT(M) | 1 |
| 2 | | CAP UNLOADER COVER | 1 |
| 3 | | NUT 5/16"-18 WHIZ | 3 |
| 4 | | BOLT 5/16"-18 X 2" FLANGE | 3 |

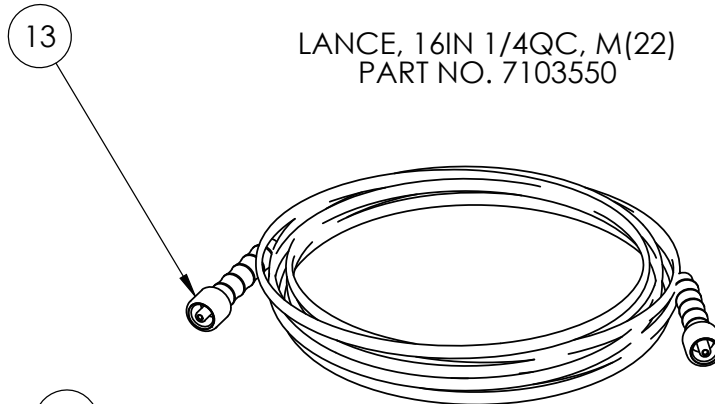
| | | |
|------------------|----------------------------|-----------------|
| SIZE C | DWG. NO. 60557-A | REV A |
| ECN - DC13-0121 | SCALE: 1:6 | SHEET 3 OF 12 |



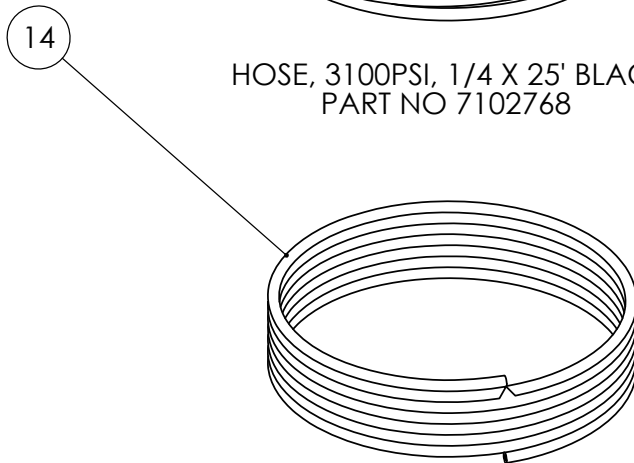
GUN, 3000PSI @8.0GPM
PART NO. 7104847



LANCE, 16IN 1/4QC, M(22)
PART NO. 7103550



HOSE, 3100PSI, 1/4 X 25' BLACK
PART NO 7102768



SOAP HOSE, 1/4 X 51", CLEAR
PART NO. 7101682

| | | |
|------------|---------|---------------|
| SIZE | DWG NO | REV |
| A | 60557-S | A |
| SCALE: N/A | ECN# | DC13-0121 |
| | | SHEET 4 OF 11 |