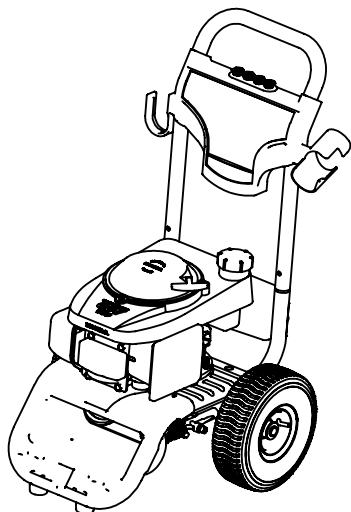


ITEM	PART NO	DESCRIPTION	QTY.
1	7106607	FRAME, SERVICE ASSEMBLY, RED	1
2	7104116	HANDLE, ASSY WITH BONNET, NOZZLE STRIP & LABEL	1
†	2.1	HANDLE, BENT TUBE RED	1
†	2.2	7105905 BONNET, SERVICE ASSEMBLY WITH LABELS	1
†	2.3	SCREW, 1/4-20 TORX PANHEAD	2
3	7104047	ENGINE SERVICE ASSEMBLY WITH LABELS, HONDA GCV190	1
4	7104174	KEY, SHAFT 3/16SQ X 1-1/4	1
5	7105466	OEM PUMP SERVICE ASSEMBLY, 3000PSI @2.4GPM	1
¶	5.1	510003 OEM PUMP, 3000PSI @2.4GPM	1
†	5.2	CAP, UNLOADER COVER	1
†	5.3	BOLT, 5/16"-18 x 2" FLANGE	2
†	5.4	NUT, 5/16"-18 WHIZ	3
6	7103292	FOOT KIT, RUBBER FOOT AND SCREW	2
†	6.1	FOOT, RUBBER 1.5 X 5/16	1
†	6.2	SCREW, 1/4-20 TORX PANHEAD	1
7	7102045	BUTTON, SNAP	2
8	7106805	WHEEL KIT, SERVICE ASSEMBLY	2
†	8.1	WHEEL, 10 x 4 (4.10/3.50-4) BLACK HUB	1
†	8.2	AXLE, STUB Ø.625" X 4.614" ROUND HEAD ZINC PLATED	1
†	8.3	CLIP, E-TYPE 5/8" X 0.042	1
†	8.4	WASHER, 5/8 FLAT	1
9	7103285	FRONT SCOOP	1
10	7100637	NOZZLE, SET 4 PC 3.0	1
11	7103685	SOAP TANK ASSEMBLY	1
†	11.1	SOAP TANK	1
†	11.2	CAP, SOAP TANK BLACK	1
†	11.3	SCREW, 1/4-20 TORX PANHEAD	2
12	7104847	GUN, 3000PSI @ 8.0GPM	1
13	7103550	LANCE, 16IN, 1/4 QC M22(M)	1
14	7105238	HOSE, 3100PSI BLACK, 1/4 X 25'	1
15	7101162	SOAP HOSE, 1/4 X 51" CLEAR	1
*	16	7102045 UNIVERSAL NOZZLE CLEANING TOOL	1
*	17	7104572 OWNER'S MANUAL, MSV3025 SPECIFIC	1
*	18	7105699 BOX, SHIPPING	1

* NOT SHOWN
† NOT SOLD SEPARATELY

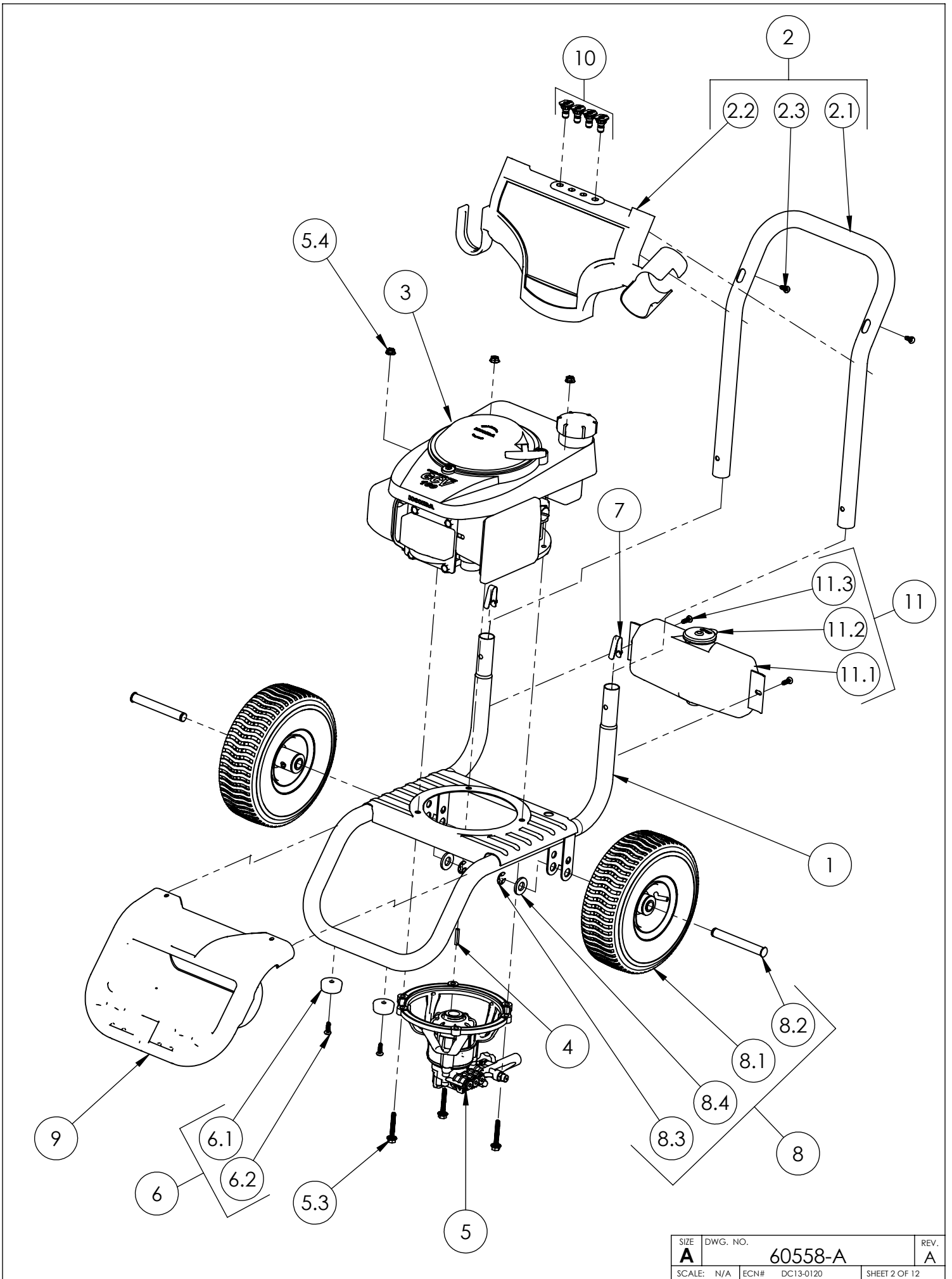
PUMP IDENTIFICATION TABLE

MACHINE SERIAL NO.	PUMP TYPE	PUMP KIT NO.	PUMP PART NO.
67070 TO 389132	VERTICAL, 3000PSI@2.4GPM	7105994	7104477
472555 TO PRESENT	OEM PUMP, 3000PSI@ 2.4GPM	7105466	510003

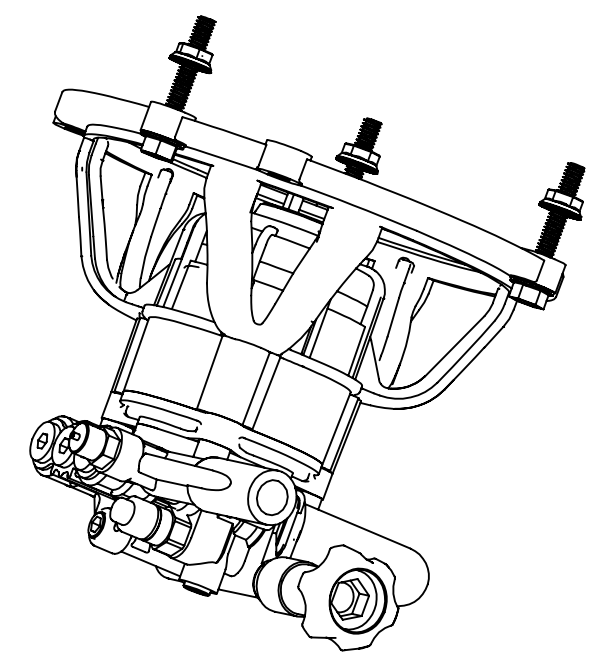


ONLY THE LATEST VERSION OF THE PUMP IS AVAILABLE FOR REPLACEMENT

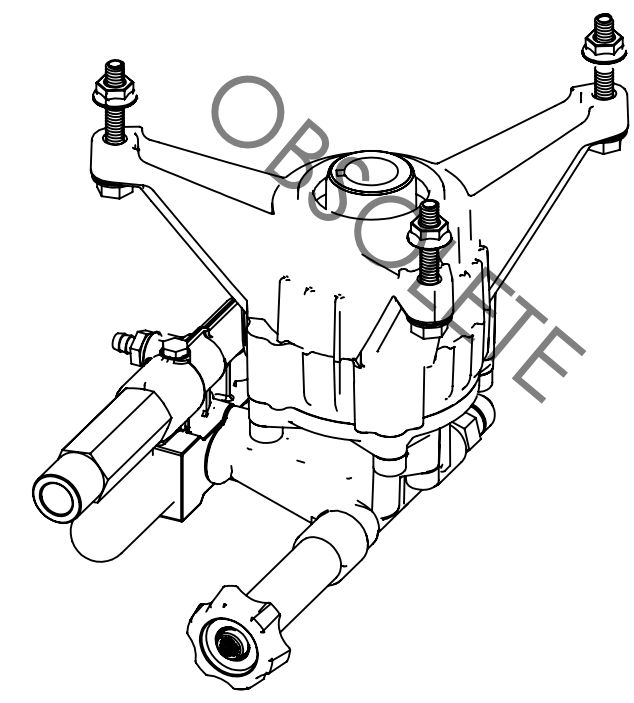
NAME			DATE		FNA-GROUP	
DRAWN	MAV	5/07/2013	1265 INDUSTRIAL STREET, DECATUR, AR 72722			
CHECKED			TITLE:			
ENG APPR.	JEW	5/17/2013	MSV3025-S			
MFG APPR.						
Q.A. APPR.	JEP	5/17/2013				
SERVICE APPR.	D.H.	5/17/2013				
PROPRIETARY AND CONFIDENTIAL <small>THE INFORMATION CONTAINED IN THIS DRAWING IS THE SOLE PROPERTY OF FNA-GROUP. ANY REPRODUCTION IN PART OR AS A WHOLE WITHOUT THE WRITTEN PERMISSION OF FNA-GROUP IS PROHIBITED.</small>						
SIZE	DWG. NO.	60558-S		REV.	A	
SCALE:	N/A	ECN#	DC13-0120	SHEET 1 OF 12		



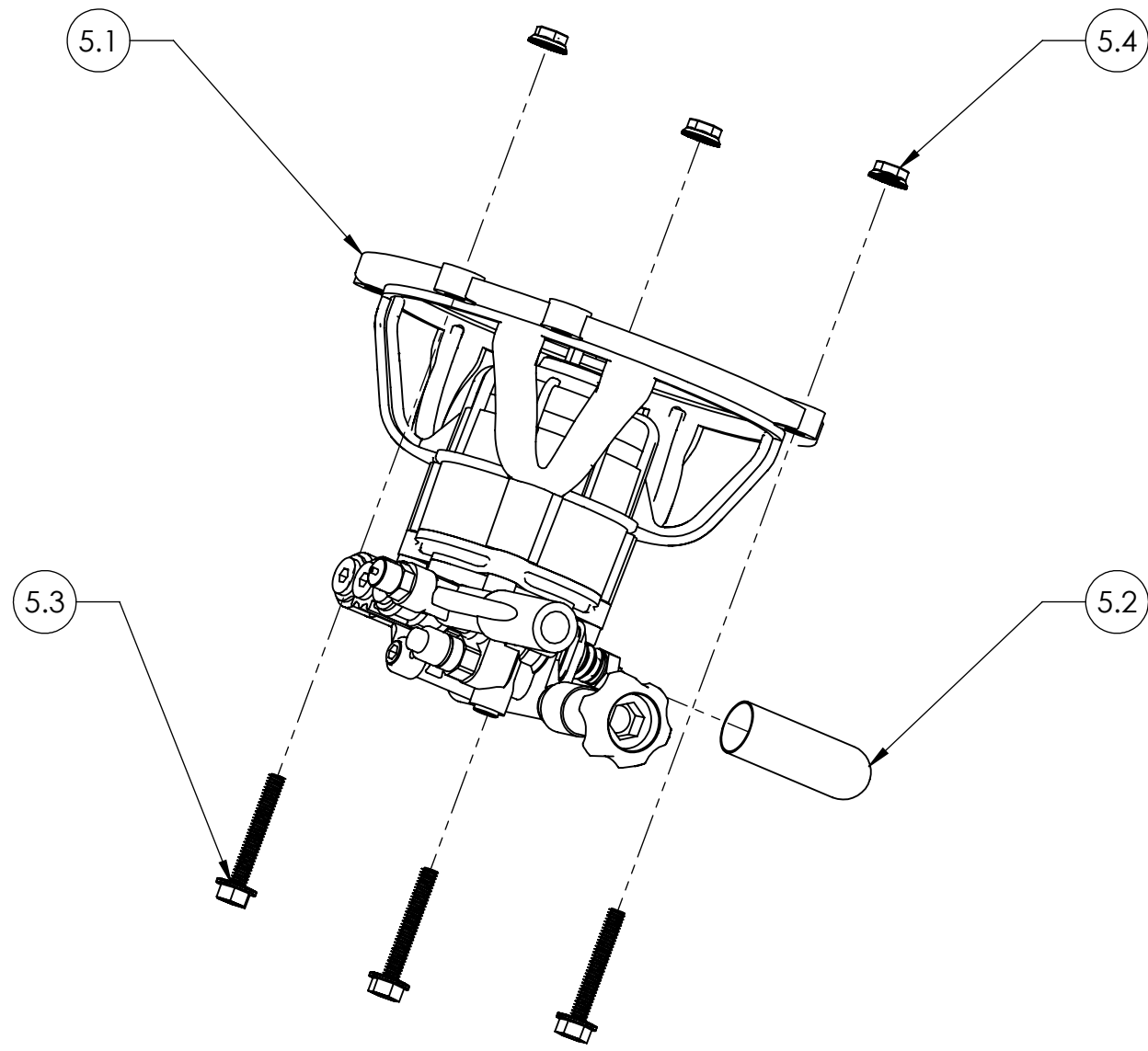
SIZE	DWG. NO.	REV.
A	60558-A	A
SCALE: N/A	ECN# DC13-0120	SHEET 2 OF 12



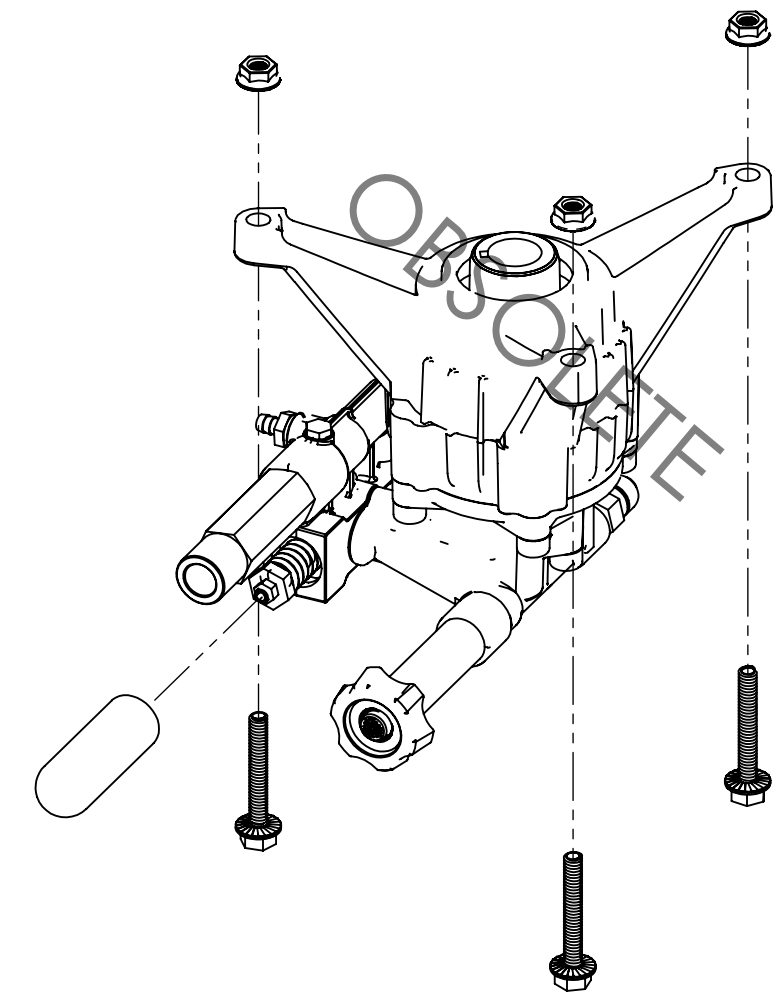
PUMP SERVICE ASSEMBLY, 510003
PART NO. 7105466



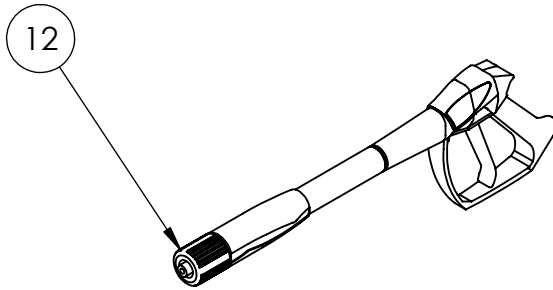
PUMP SERVICE ASSEMBLY
PART NO. 7105994



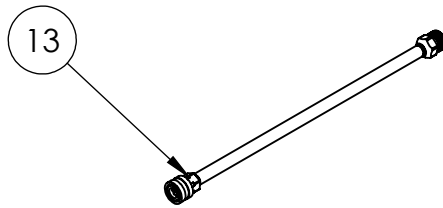
ITEM	PART NUMBER	DESCRIPTION	QTY
5.1	510003	OEM PUMP, 3000PSI @2.4GPM	1
5.2	7104122	CAP, UNLOADER COVER	1
5.3		BOLT, 5/16"-18 x 2" FLANGE	3
5.4		NUT, 5/16"-18 WHIZ	3



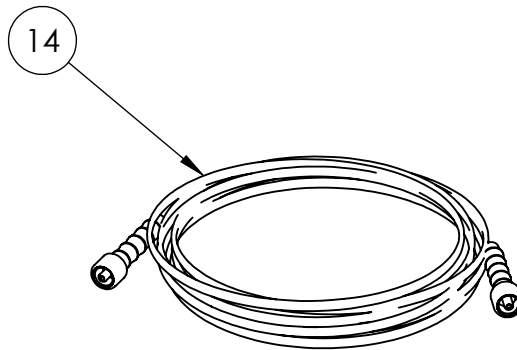
ITEM	QTY	PART NUMBER	DESCRIPTION
1	1	7104884	PUMP, 3000PSI @ 2.4GPM VERTICAL AXIAL
	1	7104224	WATER INLET KIT
	1	7104230	OUTLET EXTENSION KIT
	1	7104228	THERMAL RELIEF VALVE
	1	7101359	VALVE, THERMAL RELIEF 1/4" NPT(M)
2	1	7104122	CAP, UNLOADER COVER
3	3	7100710	NUT, 5/16"-18 WHIZ
4	3	7102158	BOLT, 5/16"-18 x 2" FLANGE



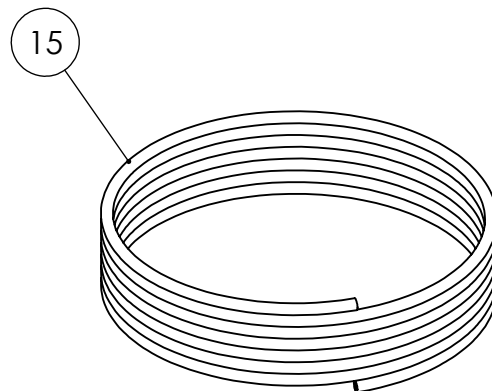
GUN, 3000 @8.0GPM
PART NO. 7104847



LANCE, 31 IN 1/4 QC , M22
PART NO. 7103550



HOSE, 3100 PSI 1/4 X 25' BLACK
PART NO. 7105238



SOAP HOSE, 1/4 CLEAR X 51"
PART NO. 7101682

SIZE A	DWG. NO. 60558-S	REV. A
SCALE: N/A	ECN#	DC13-0120
SHEET 4 OF 12		