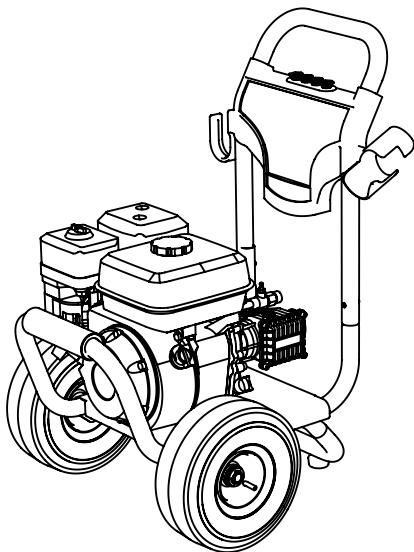


ITEM	PART NO	DESCRIPTION	QTY.
1	7106295	FRAME BASE, SVC ASSEMBLY	1
2	7106598	HANDLE, SVC ASSEMBLY WITH LABEL	1
†	2.1	HANDLE, BENT 12IN C-C 18 GAUGE	1
†	2.2	7106597 BONNET SVC ASSEMBLY, WITH LABEL	1
†	2.3	SCREW, 1/4-20 PHILLIPS PAN HEAD ZINC PLATED	2
	3	7105026 ENGINE, SVC ASSEMBLY HONDA GX200	1
	4	7101506 KEY, SHAFT 3/16SQ X 1-1/2	1
	5	7106572 PUMP, SVC ASSY KIT	1
¶	5.1	530002 PUMP, 9.6GA12	1
	5.2	7104122 CAP, UNLOADER COVER	1
†	5.3	BOLT, 5/16-24	4
†	5.4	WASHER, 5/16 SPLIT	4
	6	7105013 WHEEL, SERVICE KIT	2
†	6.1	WHEEL, 10 X 4 BLACK	1
†	6.2	WASHER, 5/8 FLAT	1
†	6.3	CLIP, E-TYPE 5/8" X 0.042	1
	7	7103292 FOOT KIT, SERVICE KIT	2
†	7.1	FOOT, RUBBER 1.5 X 5/16	1
†	7.2	SCREW, 1/4-20 TORX PANHEAD	1
	8	7105018 HARDWARE KIT, ENGINE MOUNT	1
†	8.1	BOLT, 5/16-18	4
†	8.2	NUT, 5/16"-18 WHIZ	4
	9	7105019 HARDWARE, KIT FOR PUMP MOUNT	1
†	9.1	BOLT, 5/16-24	4
†	9.2	WASHER, SPLIT LOCK	4
	10	7102122 SNAP BUTTON	2
	11	7105256 NOZZEL SET, 3.0 4PC	1
	12	7105186 HANDLE GRIP, VINYL COVER SILVER	1
	13	7106275 GUN, 3600PSI, 6.6GMP, M22 IN, M22(F) OUT	1
	14	7103550 LANCE, 16IN, 1/4QC M22(M)	1
	15	7103726 HOSE, 9/32 X 25FT, 3400PSI PLATINUM	1
	16	7102207 SOAP HOSE AND FILTER KIT	1
*	17	7102045 BUTTON, SNAP	1
*	18	7104986 MANUAL, OPERATORS PS3228	1
*	19	7105699 BOX, SHIPPING	1

* NOT SHOWN
† NOT SOLD SEPARATELY

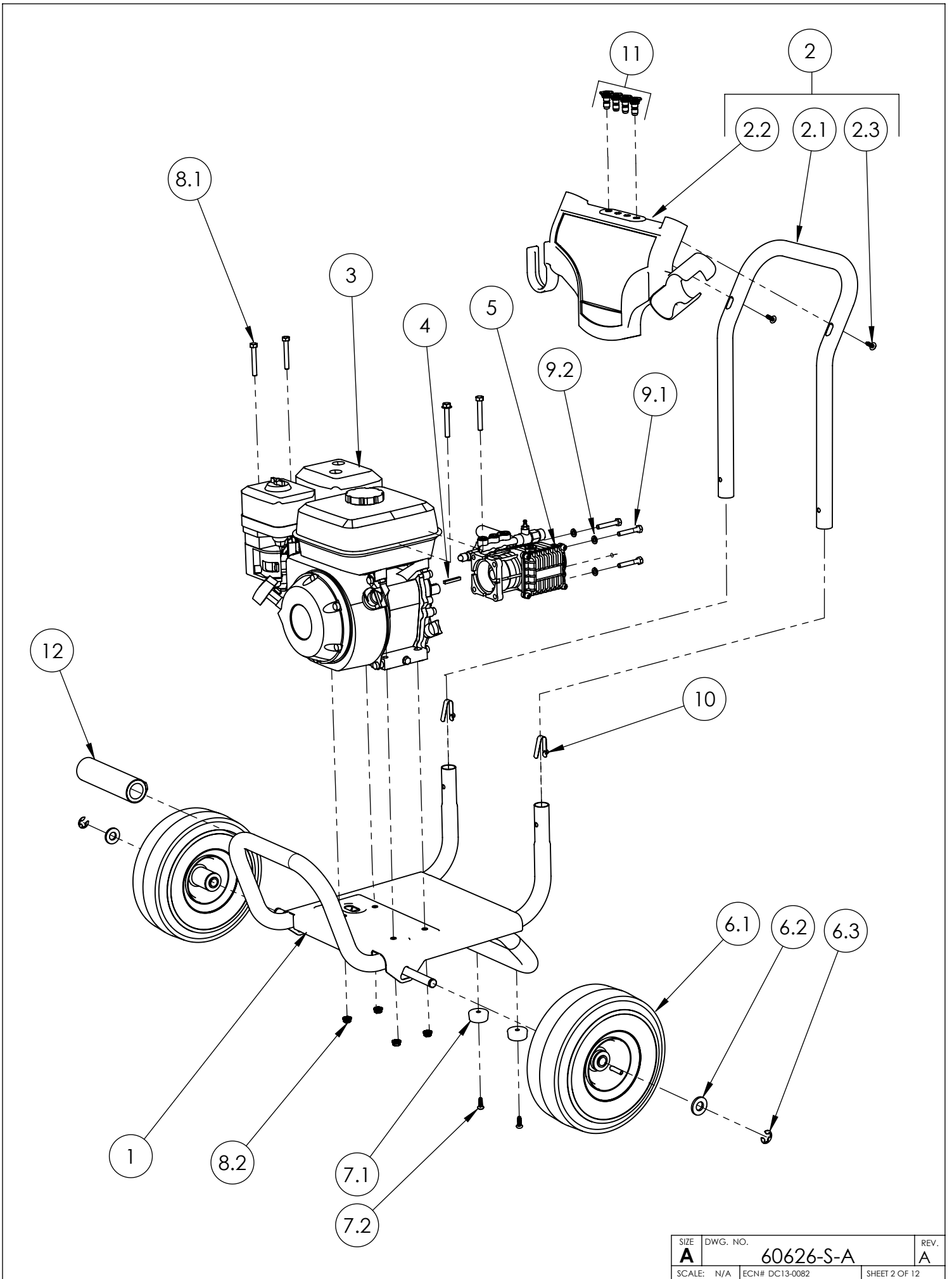
PUMP IDENTIFICATION TABLE			
MACHINE SERIAL NUMBER	PUMP TYPE	PUMP KIT NO.	PUMP PART NO.
399674 TO PRESENT	AAA9.6GA12	7106572	530002



ONLY THE LATEST VERSION OF THE PUMP IS AVAILABLE FOR REPLACEMENT

FNA-GROUP		
1265 INDUSTRIAL STREET, DECATUR, AR 72722		
TITLE:		
<h1>PS3200H</h1>		
SIZE	DWG. NO.	REV.
A	60626-S-A	A
SCALE:	N/A	ECN# DC13-0082
SHEET 1 OF 12		

PROPRIETARY AND CONFIDENTIAL
THE INFORMATION CONTAINED IN THIS DRAWING IS THE SOLE PROPERTY OF FNA-GROUP. ANY REPRODUCTION IN PART OR AS A WHOLE WITHOUT THE WRITTEN PERMISSION OF FNA-GROUP IS PROHIBITED.



SIZE	DWG. NO.	REV.
A	60626-S-A	A
SCALE: N/A	ECN# DC13-0082	SHEET 2 OF 12