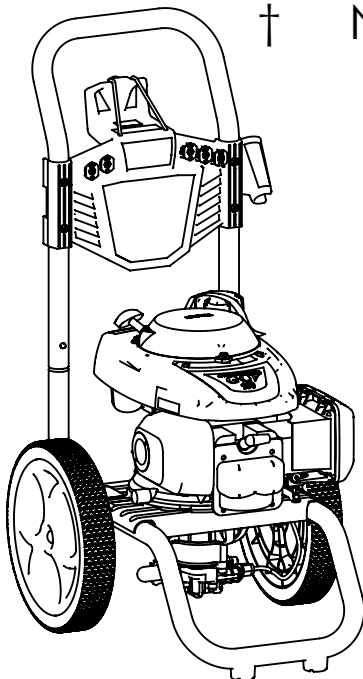


ITEM	PART NO.	DESCRIPTION	QTY
1	7107837	BASE FRAME, SVC ASSY W/LABELS MSV3024-I	1
2	7107838	HANDLE, SVC ASSY W/LABELS MSV3024-I	1
† 2.1		TUBE, HANDLE BLACK (MSV3024-I) 18GA	1
2.2	7105882	BONNET/DASHBOARD ASSEMBLY 11.75 C-C	1
† 2.3		GUN HANGER, 43° LEFT SIDE (VERTICAL)	1
† 2.4		SCREW, 1/4-20 X 1.75 TORX PANHEAD ZINC	2
† 2.5		SCREW, 1/4-20 X 2.00 TORX PANHEAD ZINC	2
† 2.6		NUT, 1/4"-20 NYLOCK	4
† 2.7		WASHER, CUPPING 0.276" ID X 1.00" OD	2
3	7105465	ENGINE, SVC ASSY GCV190 W/LABELS	1
4	7104174	KEY, SHAFT 3/16" x 3/16" x 1 1/4"	1
† 5	7107839	PUMP, SVC ASSY MSV3024-I	1
5.1	510013	PUMP, 3000PSI @ 2.4GPM W/ POWER BOOST & ADAPTOR	1
† 5.2		CAP, UNLOADER COVER 1 1/2" x 5/8" BLACK	1
† 5.3		BOLT, FLANGE 5/16"-18 x 2" SERRATED	3
† 5.4		NUT, WHIZ 5/16"-18	3
6	7107448	IDLE-DOWN ASSEMBLY (MSV 3024-I)	1
7	7106790	WHEEL KIT, 12" x 2"	2
† 7.1		POWERWASHER WHEEL 12"X2" POLYPRO/PVC BLK	1
† 7.2		AXLE, STUB .525" x 3.484" ROUND HEAD	1
† 7.3		WASHER, 1/2" FLAT SAE THROUGH HARDENED	1
† 7.4		CLIP, E-TYPE .500" x .042" 1074 STEEL ZINC	1
8	7105468	FOOT SERVICE KIT, RUBBER FOOT AND SCREW	2
† 8.1		FOOT, RUBBER 1.5OD FITTED TO 1.25 TUBE	1
† 8.2		SCREW, TORX PANHEAD 1/4"-20 x 3/4"	1
9	7103776	ENGINE MOUNT HARDWARE KIT (PROD)	1
† 9.1		BOLT, FLANGE 5/16"-18	3
† 9.2		NUT, WHIZ 5/16"-18	3
10	7102122	BUTTON, SNAP	2
11	7104818	NOZZLE KIT, 2.8 5PC	1
12	7104847	GUN,3000PSI M22(M) INLET X M22(F) OUTLET	1
13	7103550	LANCE, 16" W/ 1/4" QC-F x M22(M)	1
14	7106419	HOSE, MORFLEX 1/4" x 25' x 3100PSI M22(M) x M22(F)	1
15	7107109	KIT, SOAP HOSE & FILTER	1
* 16	7102045	TOOL, NOZZLE CLEANING, UNIVERSAL	1
* 17	7107460	MANUAL, MSV3125-I MODEL SPECIFIC OPERATOR'S	1
* 18	7107325	BOX, SHIPPING MULTI UNIT PLAIN KRAFT	1

* NOT SHOWN

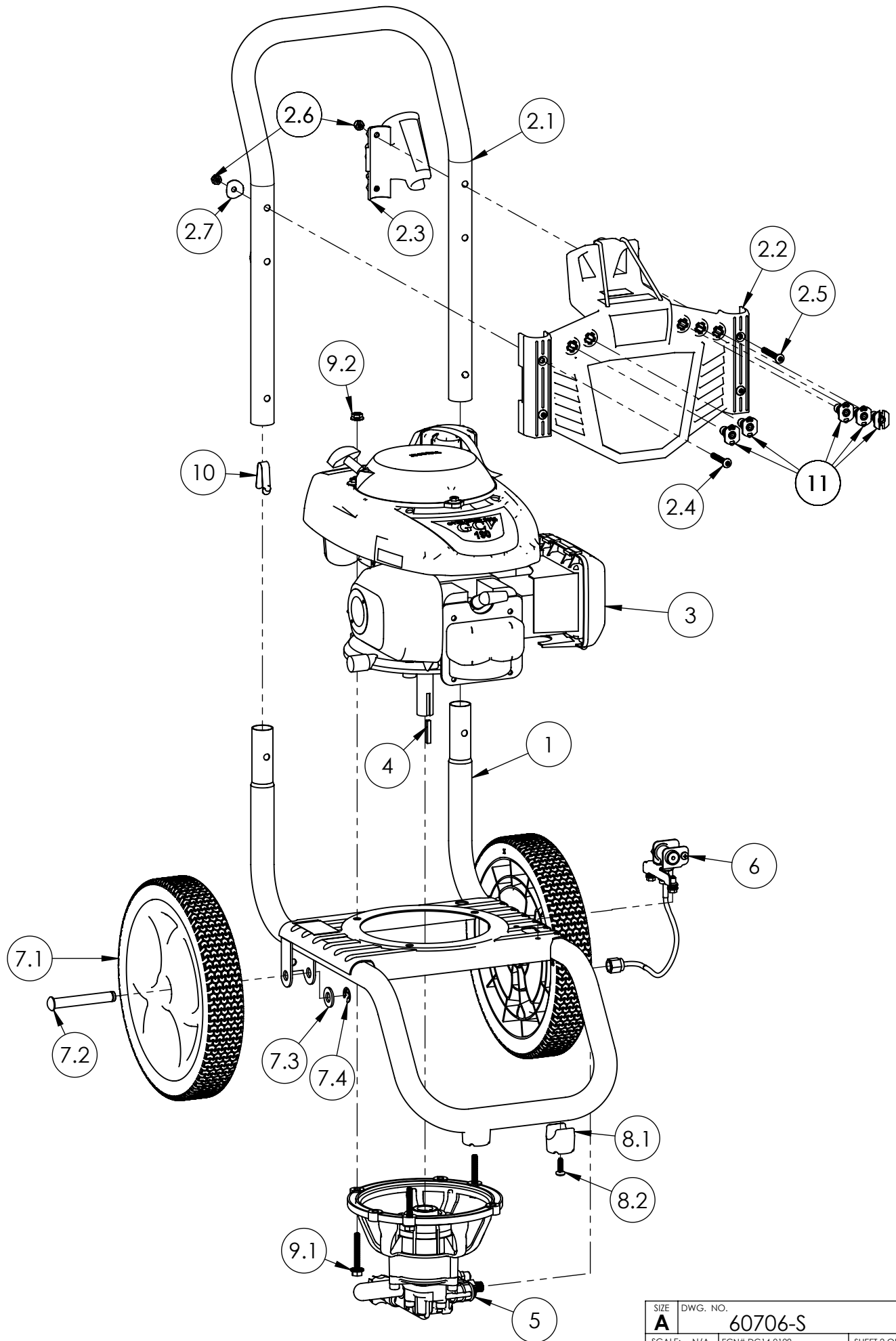
† NOT SOLD SEPERATELY



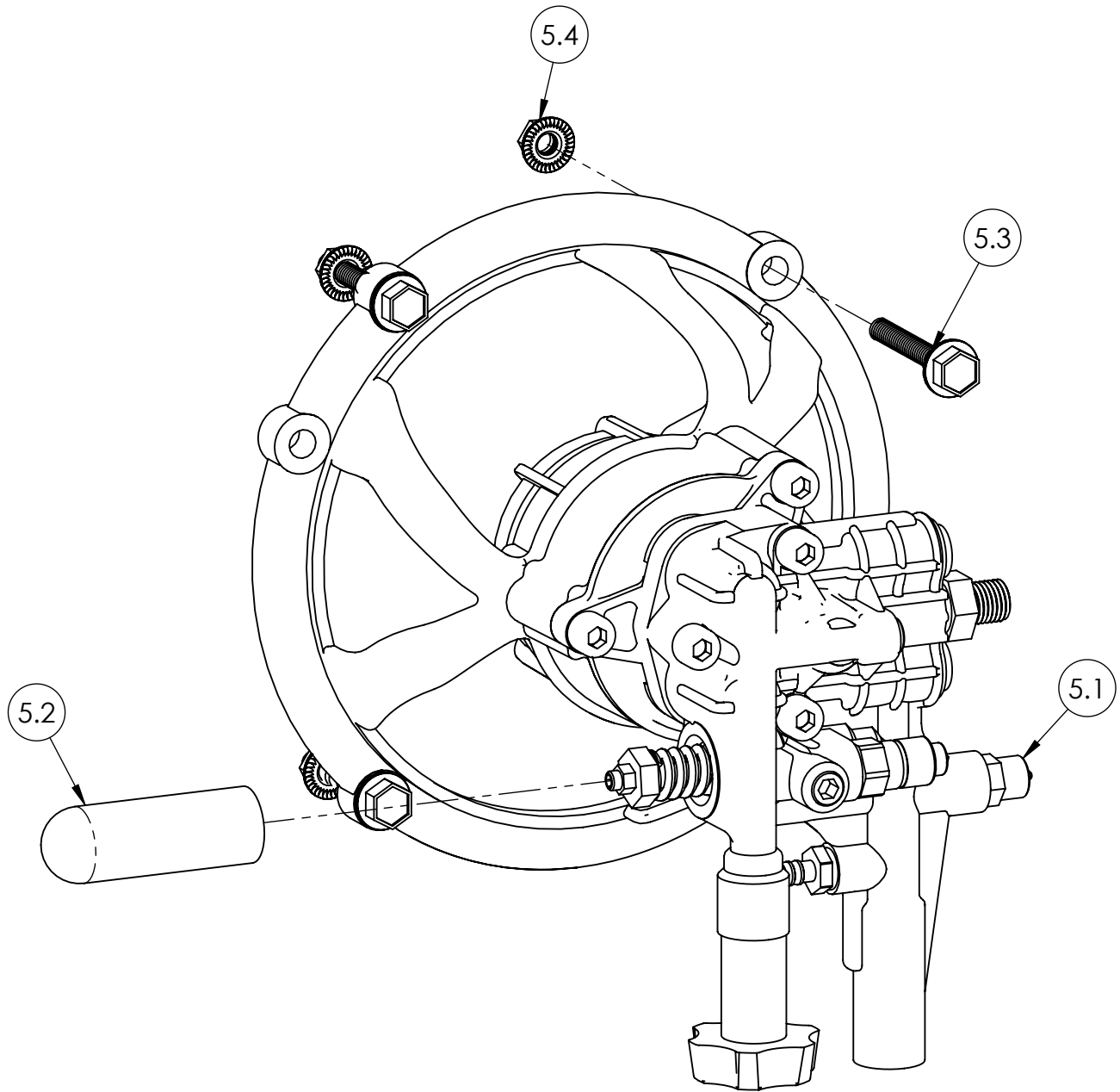
PUMP INFORMATION TABLE			
MACHINE SERIAL NO.	PUMP TYPE	PUMP PART NO.	PUMP KIT NO.
	3000PSI @ 2.4GPM	510013	7107839

ONLY LATEST VERSION OF PUMP IS AVAILABLE FOR REPLACEMENT

FNA-GROUP		
1265 INDUSTRIAL STREET, DECATUR, AR 72722		
TITLE:		
MSV3024-I SIMPSON 3000PSI @ 2.4GPM		
PROPRIETARY AND CONFIDENTIAL	SIZE	REV.
THE INFORMATION CONTAINED IN THIS DRAWING IS THE SOLE PROPERTY OF FNA-GROUP. ANY REPRODUCTION IN PART OR AS A WHOLE WITHOUT THE WRITTEN PERMISSION OF FNA-GROUP IS PROHIBITED.	A	A
	DWG. NO.	
	60706-S	
SCALE: N/A	ECN# DC14-0109	SHEET 1 OF 9



SIZE	DWG. NO.	REV.
A	60706-S	A
SCALE: N/A	ECN# DC14-0109	SHEET 2 OF 9

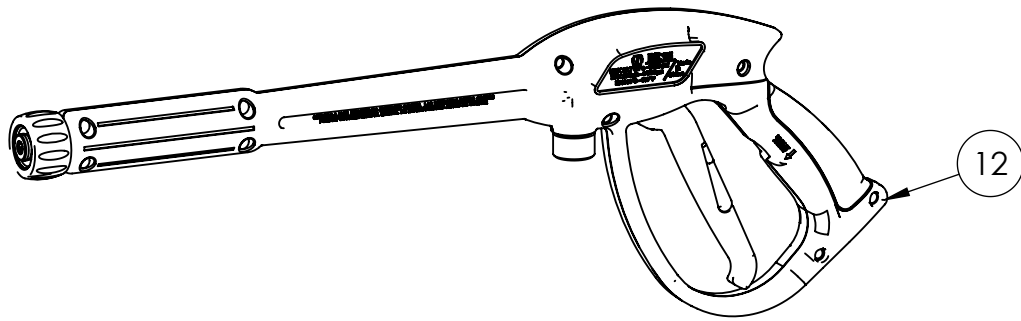


PUMP, SVC ASSY MSV3024-I
PART NO. 7107839

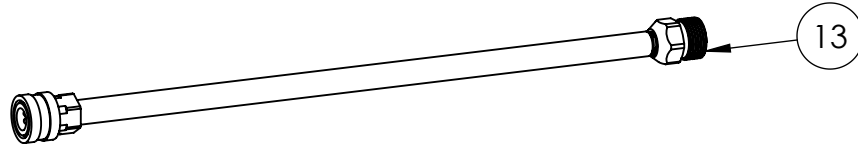
ITEM	PART NO.	DESCRIPTION	QTY
5.1	510013	PUMP, 3000PSI @ 2.4GPM W/ POWER BOOST & ADAPTOR	1
5.2		CAP, UNLOADER COVER 1 1/2" x 5/8" BLACK	1
5.3		BOLT, FLANGE 5/16"-18 x 2" SERRATED	3
5.4		NUT, WHIZ 5/16"-18	3
* 4	7104174	KEY, SHAFT 3/16" x 3/16" x 1 1/4"	1

* NOT SHOWN

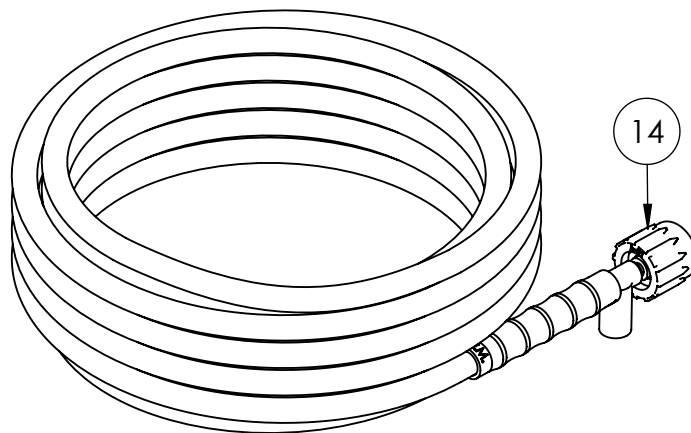
SIZE A	DWG. NO. 60706-S	REV. A
SCALE: N/A	ECN# DC14-0109	SHEET 3 OF 9



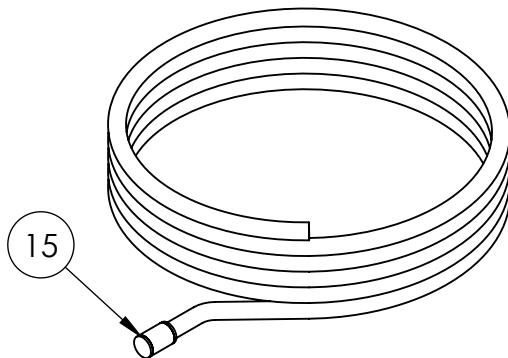
TRIGGER SPRAY GUN 3000PSI M22(M) x M22(F)
PART NO. 7104847



LANCE, 16" W/ 1/4" QC-F x M22(M)
PART NO. 7103550

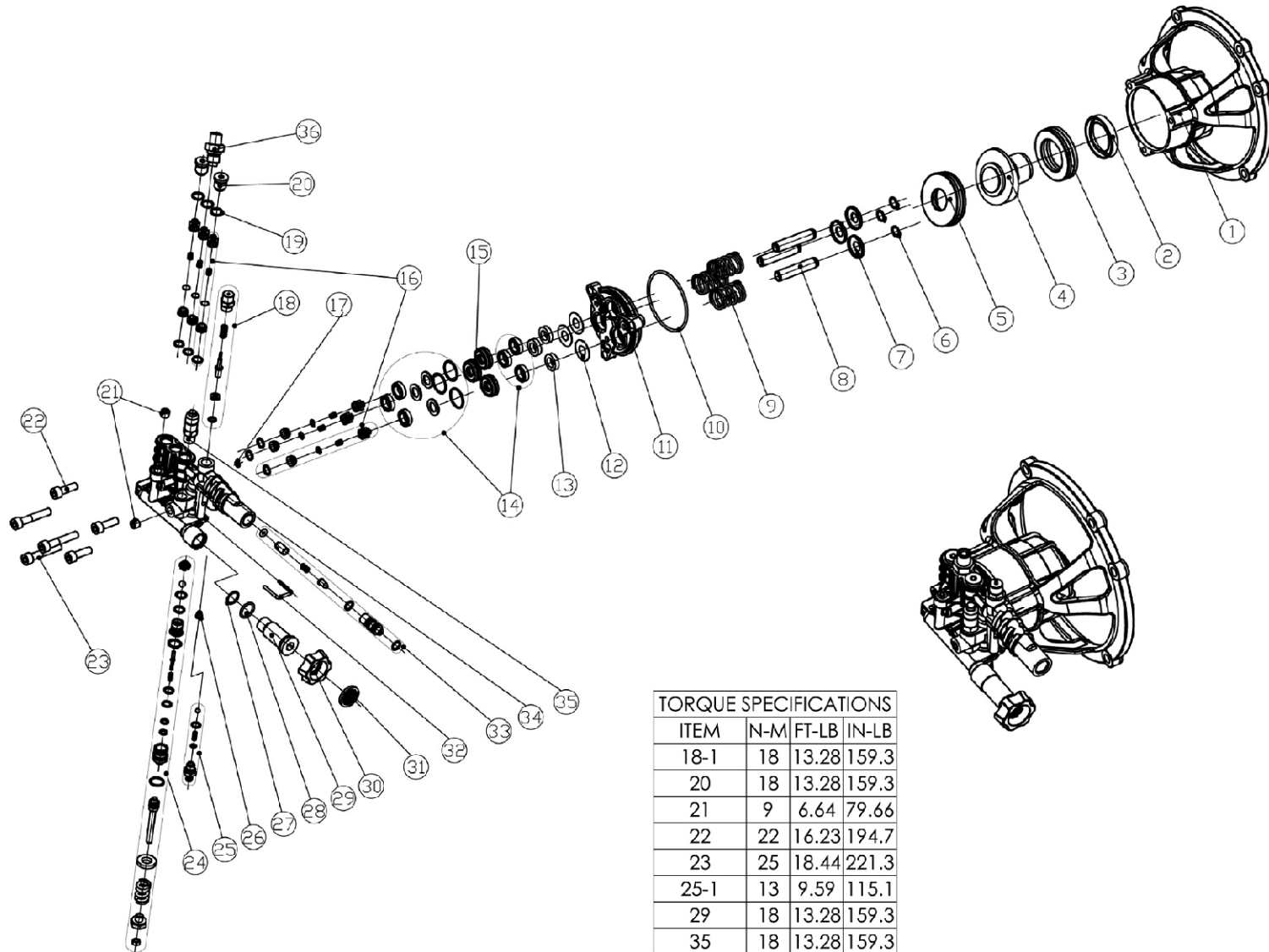


HOSE, 1/4" x 25' x 3100PSI M22(M) x M22(F) MORFLEX
PART NO. 7106419



KIT, SOAP HOSE & FILTER
PART NO. 7107109

SIZE A	DWG. NO. 60706-S	REV. A
SCALE: N/A	ECN# DC14-0109	SHEET 4 OF 9

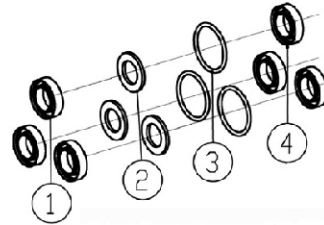


TORQUE SPECIFICATIONS			
ITEM	N-M	FT-LB	IN-LB
18-1	18	13.28	159.3
20	18	13.28	159.3
21	9	6.64	79.66
22	22	16.23	194.7
23	25	18.44	221.3
25-1	13	9.59	115.1
29	18	13.28	159.3
35	18	13.28	159.3
36	18	13.28	159.3



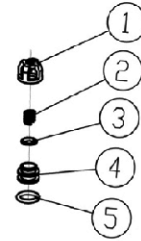
12 PART NO. 7105741

OIL SEAL KIT		
ITEM	QTY	DESCRIPTION
1	3	SEAL, OIL



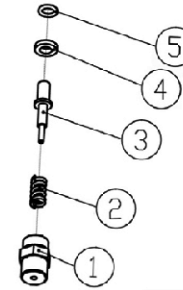
14 PART NO. 7106627

WATER SEAL KIT		
ITEM	QTY	DESCRIPTION
1	3	HIGH PRESSURE SEAL
2	3	BACK RING
3	3	O-RING
4	3	LOW PRESSURE SEAL



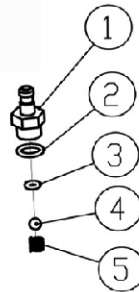
16 PART NO. 7104223

VALVE KIT		
ITEM	QTY	DESCRIPTION
1	6	VALVE CASE
2	6	SPRING
3	6	VALVE PLATE
4	6	VALVE SEAT
5	6	O-RING



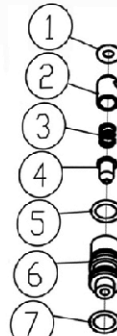
18 PART NO. 7106628

BOOST VALVE KIT		
ITEM	QTY	DESCRIPTION
1	1	VALVE CASE
2	1	VALVE SPRING
3	1	VALVE POLE
4	1	VALVE PLATE
5	1	O-RING



25 PART NO. 7104228

SOAP INJECTOR KIT		
ITEM	QTY	DESCRIPTION
1	1	HOSE BARB
2	1	O-RING
3	1	O-RING
4	1	STEEL BALL
5	1	SPRING

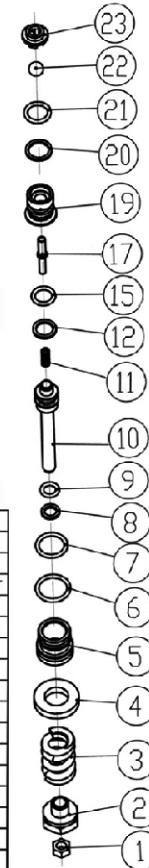


33 PART NO. 7106630

VENTURI TUBE KIT		
ITEM	QTY	DESCRIPTION
1	1	O-RING
2	1	CHECK VALVE CORE
3	1	CHECK VALVE SPRING
4	1	NOZZLE
5	1	O-RING
6	1	VENTURI TUBE
7	1	O-RING

24 PART NO. 7104226

UNLOADER KIT		
ITEM	QTY	DESCRIPTION
1	1	NUT
2	1	ADJUSTING NUT
3	1	SPRING
4	1	SEATING RING
5	1	VALVE SHEATH
6	1	O-RING
7	1	O-RING
8	1	CHECKING RING
9	1	O-RING
10	1	VALVE POLE
11	1	SPRING
12	1	CHECKING RING
15	1	O-RING
17	1	PIN
19	1	UPPER SEAT
20	1	CHECKING RING
21	1	O-RING
22	1	STEEL BALL
23	1	BACK SEAT



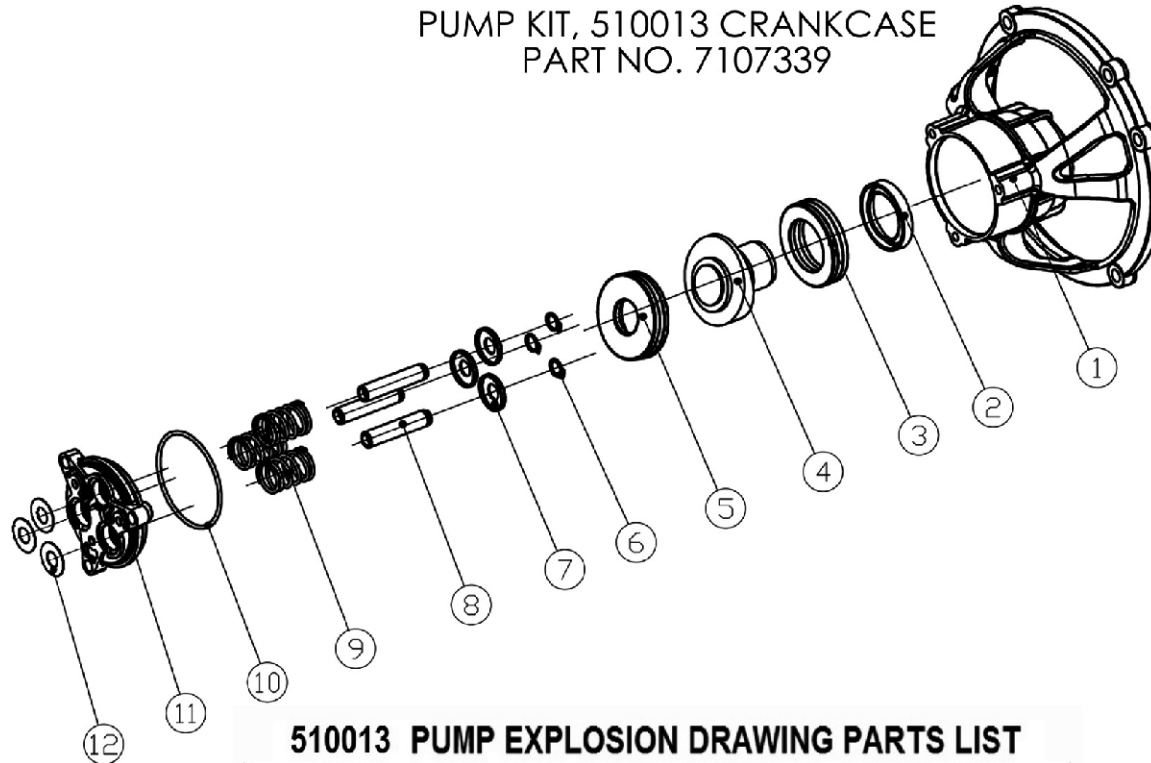
510013 PUMP EXPLOSION DRAWING PARTS LIST

ITEM	PART NO.	PART NAME	QTY PER PUMP	COMMENT
1	7106631	Case	1	
2	7106632	Oil seal	1	
3	7106633	Thrusting Bearing 2	1	
4	7106634	Wobble Plate	1	
5	7106635	Thrusting Bearing 1	1	
6	7106636	Clip	3	
7	7106637	Spring Base	3	
8	7106638	Plunger	3	
9	7106639	Spring	3	
10	7106640	O-Ring	1	
11	7106641	Plunger Base	1	
12	7105741	Oil Seal	3	Oil Seal Kit
13	7106642	Back Ring	3	
14	7106627	High Pressure Water Seal	3	Water Seal Kit
		Back Ring		
		O-Ring		
		Low Pressure Water Seal		
15	7106643	Back Ring	3	
16	7104223	Valve Case	6	Valve Kit (INLET AND OUTLET)
		Spring		
		Valve Plate		
		Valve Seat		
17	7106644	O-Ring	1	
		O-Ring	1	
18	7106628	Boost Valve Case	1	Boost Valve Kit
		Boost Valve Spring		
		Boost Valve Pole		
		Boost Valve Plate		
19	7106645	O-Ring	3	
		O-Ring	3	
20	7106646	Plug	2	
21	7106647	Plug	2	
22	7106648	Screw	3	
23	7106649	Screw	3	

510013 PUMP EXPLOSION DRAWING PARTS LIST

ITEM	PART NO.	PART NAME	QTY PER PUMP	COMMENT
24	7104226	Nut	1	Unloader Kit
		Adjusting Nut		
		Spring		
		Seating Ring		
		Valve Sheath		
		O-Ring		
		O-Ring		
		Checking Ring		
		O-Ring		
		Valve Pole		
		Spring		
		Checking Ring		
		O-Ring		
		Pin		
Upper Seat				
Checking Ring				
O-Ring				
Steel Ball				
Back Seat				
25	7104228	Nozzle	1	Soap Injector Kit
		O-Ring		
		O-Ring		
		Steel Ball		
26	7106650	Venturi Tube Back Ring	1	
		Venturi Tube Back Ring	1	
27	7106651	O-Ring	1	
28	7106652	O-Ring	1	
29	7106653	Inlet Connector	1	
30	7106654	Nut	1	
31	7000123	Filter Gasket	1	
32	7106655	U-Pin	1	
33	7106630	O-Ring	1	Venturi Tube Kit
		Checking Valve Core		
		Checking Valve Spring		
		Nozzle		
		O-Ring		
Venturi Tube				
O-Ring				
34	7106656	Pump Head	1	
35	7101359	Thermal Relief Valve	1	
36	7107414	Pump Adapter	1	

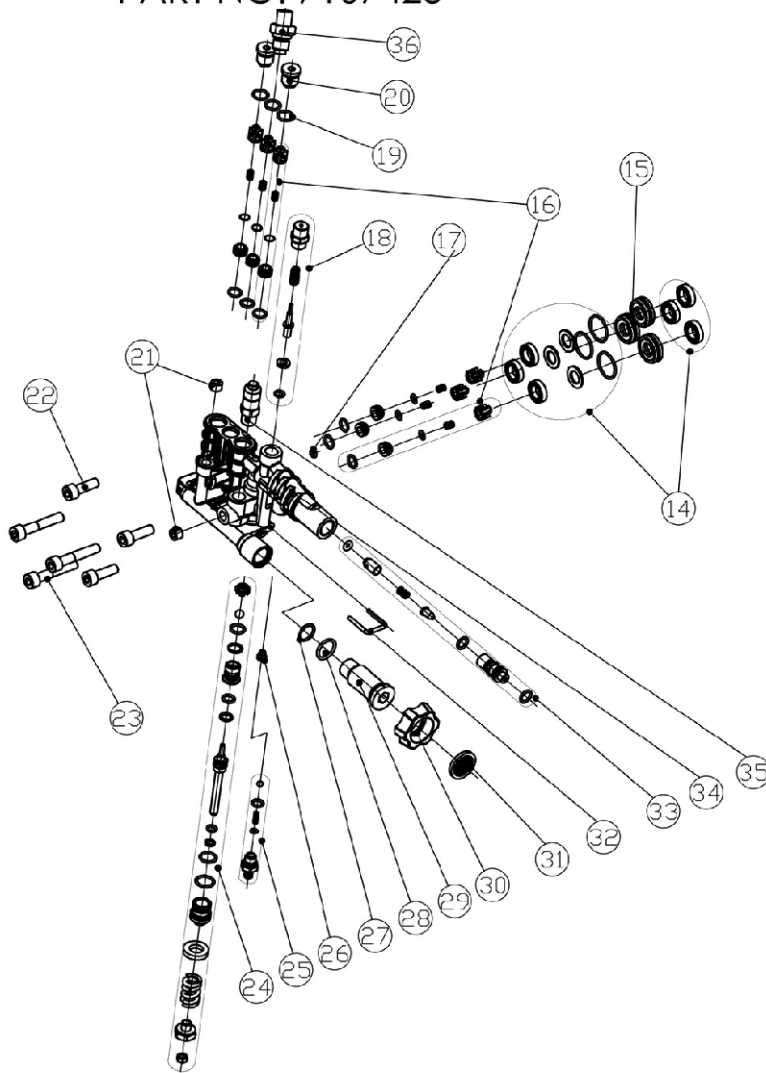
PUMP KIT, 510013 CRANKCASE
PART NO. 7107339



510013 PUMP EXPLOSION DRAWING PARTS LIST

ITEM	PART NO.	PART NAME	QTY PER PUMP	COMMENT
1	7106631	Case	1	
2	7106632	Oil seal	1	
3	7106633	Thrusting Bearing 2	1	
4	7106634	Wobble Plate	1	
5	7106635	Thrusting Bearing 1	1	
6	7106636	Clip	3	
7	7106637	Spring Base	3	
8	7106638	Plunger	3	
9	7106639	Spring	3	
10	7106640	O-Ring	1	
11	7106641	Plunger Base	1	
12	7105741	Oil Seal	3	Oil Seal Kit
13	7106642	Back Ring	3	

PUMP KIT, 510013 MANIFOLD
PART NO. 7107423



510013 PUMP EXPLOSION DRAWING PARTS LIST

14	7106627	High Pressure Water Seal	3	Water Seal Kit
		Back Ring		
		O-Ring		
15	7106643	Low Pressure Water Seal	3	
		Back Ring		
16	7104223	Valve Case	6	Valve Kit (INLET AND OUTLET)
		Spring		
		Valve Plate		
		Valve Seat		
		O-Ring		
17	7106644	O-Ring	1	
18	7106626	Boost Valve Case	1	Boost Valve Kit
		Boost Valve Spring		
		Boost Valve Pole		
		Boost Valve Plate		
		O-Ring		
19	7106645	O-Ring	3	
20	7106646	Plug	2	
21	7106647	Plug	2	
22	7106648	Screw	3	
23	7106649	Screw	3	
24	7104226	Nut	1	Unloader Kit
		Adjusting Nut		
		Spring		
		Seating Ring		
		Valve Sheath		
		O-Ring		
		O-Ring		
		Checking Ring		
		O-Ring		
		Valve Pole		
		Spring		
		Checking Ring		
		O-Ring		
		Pin		
		Upper Seat		
Checking Ring				
O-Ring				
Steel Ball				
Back Seat				
25	7104228	Nozzle	1	Soap Injector Kit
		O-Ring		
		O-Ring		
		Steel Ball		
26	7105650	Venturi Tube Back Ring	1	
27	7105651	O-Ring	1	
28	7105652	O-Ring	1	
29	7105653	Inlet Connector	1	
30	7105654	Nut	1	
31	7001123	Filter Gasket	1	
32	7105655	U-Pin	1	
33	7105630	O-Ring	1	Venturi Tube Kit
		Checking Valve Core		
		Checking Valve Spring		
		Nozzle		
		O-Ring		
34	7105656	Pump Head	1	
35	7101355	Thermal Relief Valve	1	
36	7107414	Pump Adapter	1	