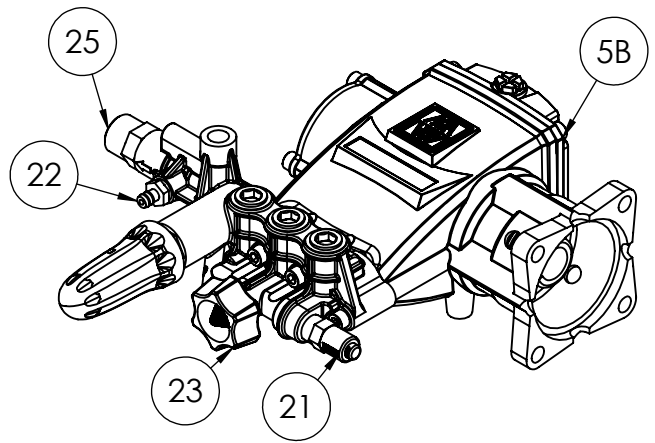
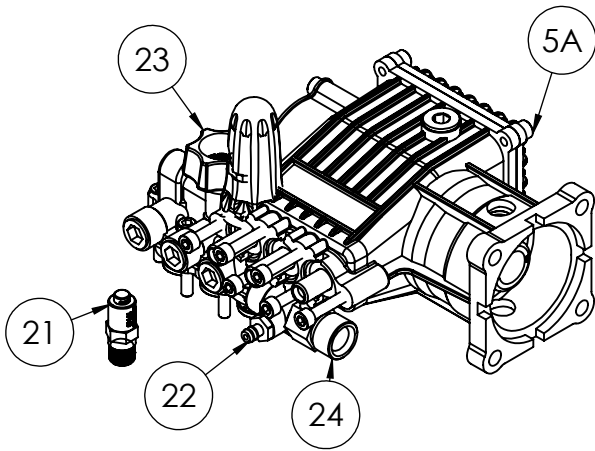


ITEM NO.	PART NUMBER	DESCRIPTION	QTY.
1	N/A	ENGINE, HONDA BLACK GX200T2QAPW NH1	1
2	7103750	ENGINE MOUNTING HARDWARE	1
3	7111995	SPACER, ENGINE SHAFT	1
4	7101506	KEY, SHAFT	1
5	SEE PAGE 3	PUMP	1
6	7105474	HARDWARE KIT, PUMP MOUNTING	1
7	7110279	HANDLE ASSEMBLY KIT	1
8	7103161	NOZZLE HOLDER, 5PC RUBBER	1
9	7103743	NOZZLE 5PC SET 0,15,25,40 & SOAP	1
10	7102045	TOOL, NOZZLE CLEANING, UNIVERSAL	1
11	7107941	KNOB-BOLT ASSEMBLY	2
12	7114958	FRAME KIT	1
13	7103292	KIT, FOOT SVC ASY	2
14	7114457	SPACER	2
15	7103619	POWER WASHER WHEEL	2
16	7114502	WHEEL MOUNTING HARDWARE	2
17	7111659	WHEEL MOUNTING KIT	1
18	7103550	LANCE, 16" W/ 1/4 QC AND M22(M)	1
19	7112776SIM	GUN, REAR ENTRY	1
20	7106622	HOSE, 5/16" x 25' x 3700PSI	1
21	7102207	KIT, SVC ASSY SOAP HOSE W/PLASTIC FILTER	1
22	7105186	HANDLE GRIP, SILVER/WHITE SIMPSON	1

NOTE: DURING PRODUCTION THERE WERE 2 DIFFERENT WAYS IN WHICH THE WHEEL WAS MOUNTED; USING 7114457 & 7114502 OR 7111659.



ITEM NO.	PART NUMBER	DESCRIPTION	QTY.
5A	530009	PUMP WITH FINS	1
5B	530017	SMOOTH PUMP	1
21	7101359	THERMAL RELIEF VALVE	1
22	7104228	SOAP INJECTOR KIT	1
23	7110329	WATER INLET KIT	1
24	7106264	WATER OUTLET KIT	1
25	7106686	WATER OUTLET KIT	1