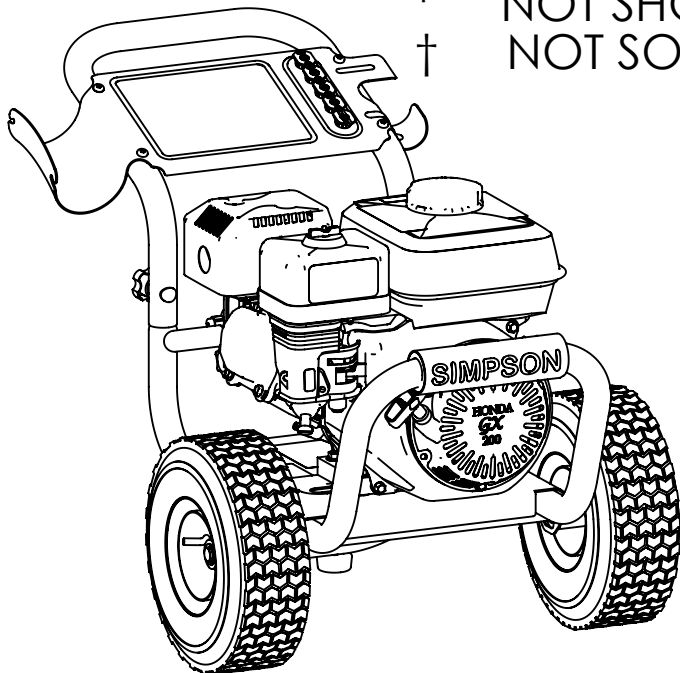


ITEM	PART NO.	DESCRIPTION	QTY
1	7107898	FRAME BASE, SVC ASSY W/LABELS	1
2	7107658	REAR HANDLE SERVICE KIT	1
† 2.1		HANDLE, REAR 18GA. 11.75" C-C BLACK	1
2.2	7104983	PLATE, DASHBOARD SILVER W/LABEL	1
† 2.3		NOZZLE HOLDER, 5PC RUBBER	1
† 2.4		SCREW, TORX PANHEAD 1/4"-20 x 3/4"	4
3	7107269	ENGINE, HONDA GX200 RED/WHITE	1
4	7104174	KEY, SHAFT 3/16" x 3/16" x 1 1/4"	1
¶ 5	7106573	PUMP, SERVICE ASSEMBLY	1
5.1	530011	PUMP, 3400PSI @ 2.3GPM HORIZONTAL-TRIPLEX	1
† 5.2		CAP, UNLOADER COVER 1 1/2" x 5/8" BLACK	1
† 5.3		BOLT 5/16"-24 x 1" HHCS GR5	4
† 5.4		WASHER, SPLIT-LOCK 5/16" RUST RESISTANT	4
6	7105013	WHEEL, SERVICE KIT	1
† 6.1		POWER WASHER WHEEL, 4" x 10" BLK W/ 5/8" BRG	2
† 6.2		WASHER, 5/8" FLAT	2
† 6.3		CLIP, E-TYPE 0.625" x 0.042"	2
7	7103292	KIT, 5/8" TALL FOOT	2
† 7.1		FOOT, RUBBER 1.5"ODx.625"-5/16 INSERT	1
† 7.2		SCREW, TORX PANHEAD 1/4"-20 x 3/4"	1
8	7103750	MOUNTING KIT, ENGINE	1
† 8.1		BOLT, FLANGE 5/16"-18 x 1 3/4" HHFB	4
† 8.2		NUT, WHIZ 5/16"-18	4
9	7105474	HARDWARE KIT, PUMP MOUNTING	1
† 9.1		BOLT 5/16"-24 x 1" HHCS GR5	4
† 9.2		WASHER, SPLIT-LOCK 5/16" RUST RESISTANT	4
10	7104570	HARDWARE KIT, HANDLE MOUNTING	2
† 10.1		BOLT, SADDLE 5/16"-18 x 2"	1
† 10.2		KNOB, HANDLE 5/16-18	1
11	7104818	NOZZLE KIT, 2.8 5PC	1
12	7105186	HANDLE GRIP, SILVER	1
13	7106275	TRIGGER SPRAY GUN 4500PSI @ 6.6GPM M22(M) x M22(F)	1
14	7103550	LANCE, 16" W/ 1/4" QC-F x M22(M)	1
15	7106622	HOSE, 5/16" x 25' x 3700PSI M22(M) x M22(F)	1
16	7102207	SOAP HOSE AND FILTER KIT	1
17	7102045	TOOL, NOZZLE CLEANING, UNIVERSAL	1
18	7107368	MANUAL, PS3425 MODEL SPECIFIC OPERATOR'S	1
19	7107637	BOX, PS3425 MODEL SPECIFIC SHIPPING	1

* NOT SHOWN
† NOT SOLD SEPERATELY

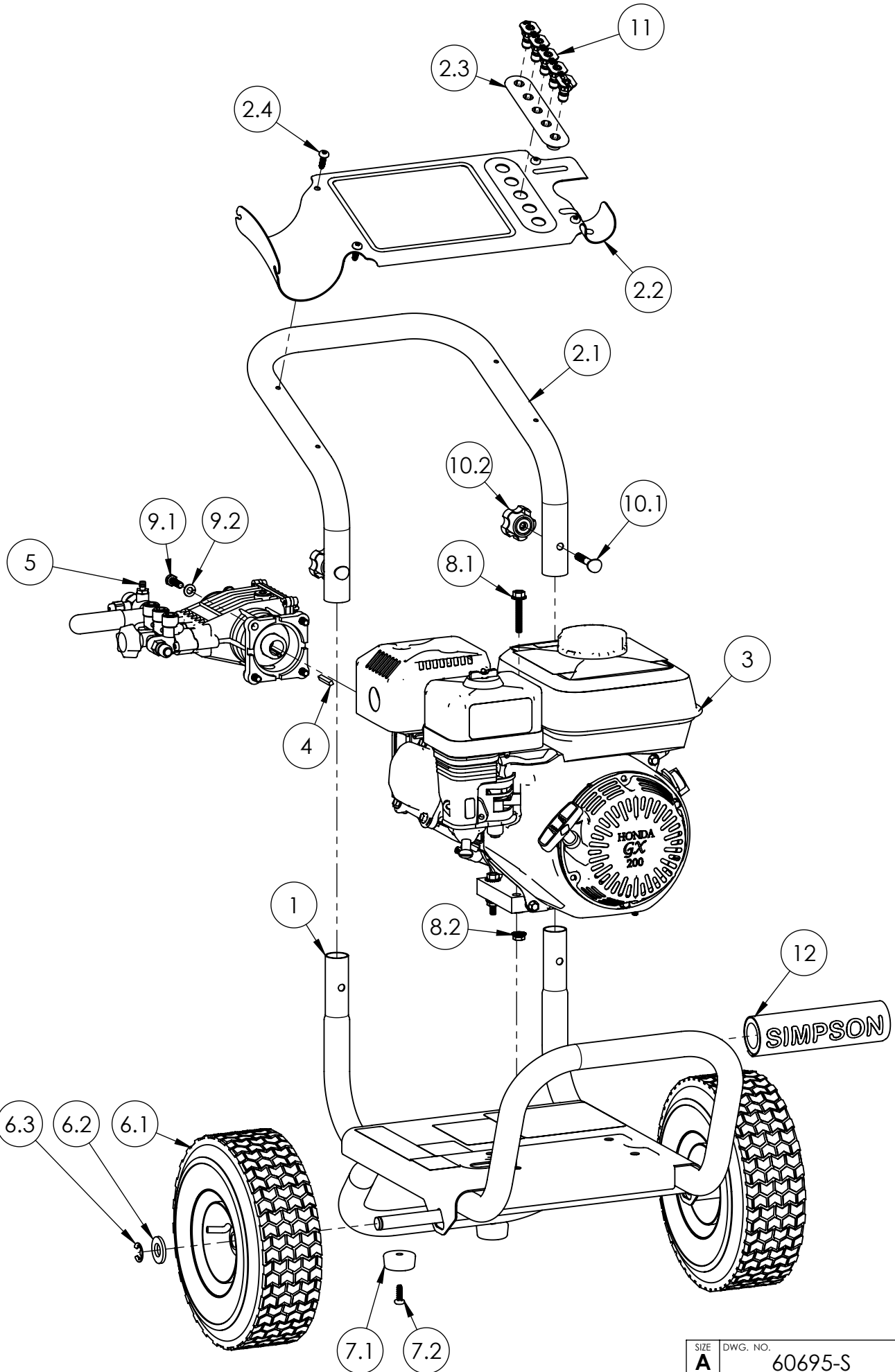


PUMP INFORMATION TABLE			
MACHINE SERIAL NO.	PUMP TYPE	PUMP PART NO.	PUMP KIT NO.
747235 TO PRESENT	3400PSI @ 2.3GPM	530011	7106573

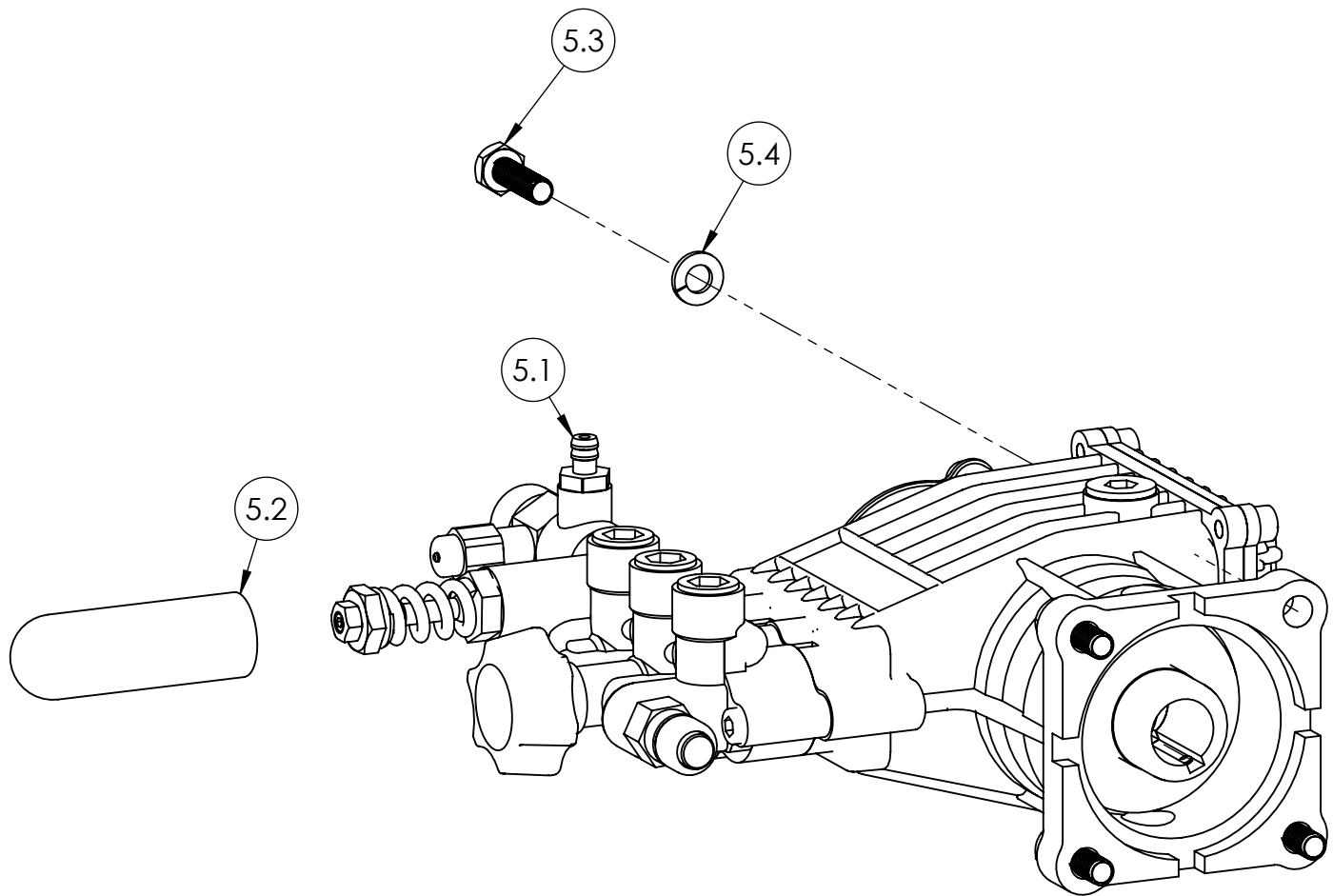
	NAME	DATE
DRAWN	TV	5/19/2014
CHECKED	MG	5/20/2014
ENG APPR.	K.C.R.	5/20/2014
MFG APPR.	-	-
Q.A. APPR.	J.C.	5/20/2014
SERVICE APPR.	D.H.	5/20/2014

PROPRIETARY AND CONFIDENTIAL
THE INFORMATION CONTAINED IN THIS DRAWING IS THE SOLE PROPERTY OF FNA-GROUP. ANY REPRODUCTION IN PART OR AS A WHOLE WITHOUT THE WRITTEN PERMISSION OF FNA-GROUP IS PROHIBITED.

FNA-GROUP		
1265 INDUSTRIAL STREET, DECATUR, AR 72722		
TITLE:		
PS3425 3400PSI @ 2.5GPM SIMPSON		
SIZE	DWG. NO.	REV.
A	60695-S	A
SCALE:	N/A	ECN# DC14-0119
		SHEET 1 OF 9



SIZE	DWG. NO.	REV.
A	60695-S	A
SCALE: N/A	ECN# DC14-0119	SHEET 2 OF 9

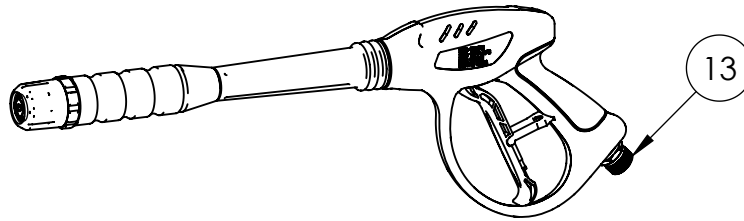


PUMP, SERVICE ASSEMBLY
PART NO. 7106573

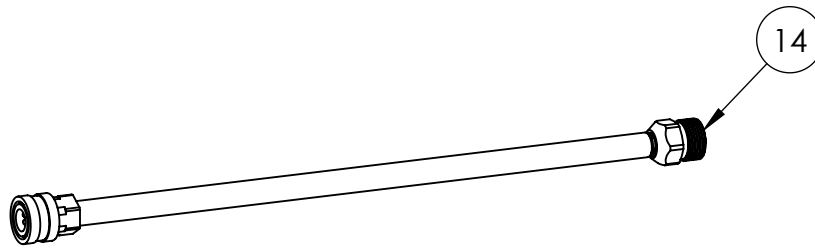
ITEM	PART NO.	DESCRIPTION	QTY
5.1	530011	PUMP, 3400PSI @ 2.3GPM HORIZONTAL-TRIPLEX	1
5.2		CAP, UNLOADER COVER 1 1/2" x 5/8" BLACK	1
5.3		BOLT 5/16"-24 x 1" HHCS GR5	4
5.4		WASHER, SPLIT-LOCK 5/16" RUST RESISTANT	4
* 4	7104174	KEY, 3/16" x 3/16" x 1 1/4" SHAFT	1

* NOT SHOWN

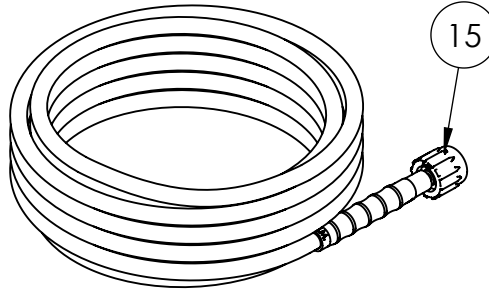
SIZE A	DWG. NO. 60695-S	REV. A
SCALE: N/A	ECN# DC14-0119	SHEET 3 OF 9



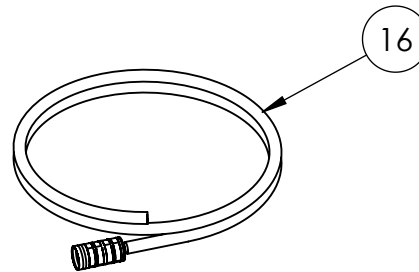
TRIGGER SPRAY GUN 4500PSI @ 6.6GPM M22(M) x M22(F)
PART NO. 7106275



LANCE, 16" W/ 1/4" QC-F x M22(M)
PART NO. 7103550



HOSE, 5/16" x 25' x 3700PSI M22(M) x M22(F)
PART NO. 7106622



KIT, SOAP HOSE & FILTER
PART NO. 7102207

SIZE A	DWG. NO. 60695-S	REV. A
SCALE: N/A	ECN# DC14-0119	SHEET 4 OF 9