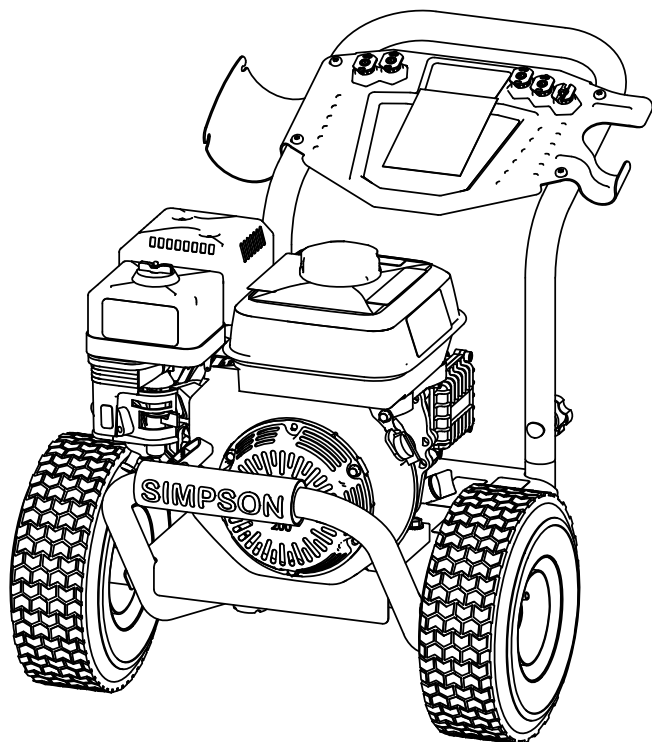


	ITEM	PART NO	DESCRIPTION	QTY.
	1	7109301	NOZZLE,#2.6 5PCSET 0, 15, 25, 40 & PSOAP	1
	2	7109208	HANDLE ASSEMBLY KIT, PS60842	1
	2.1	7107067	HOLDER, NOZZLE 2PC RUBBER STRIP	1
	2.2	7107068	HOLDER, NOZZLE 3PC RUBBER STRIP	1
	2.3	7109852	DASHBOARD BLACK 11.75" C-C, W/ LABELS	1
†	2.4		HANDLE, SILVER 11.75" C-C	1
	3	7107941	KNOB-BOLT ASSEMBLY	2
	4	7109853	PUMP SERVICE ASSY KIT	1
	4.1	530016	PUMP, C31 SERIES, HORZ TRIPLEX, 12X8.2	1
	4.2	7105474	HARDWARE KIT, PUMP MOUNTING	1
	4.3	7101506	KEY, SHAFT 3/16 X 3/16 X 1-1/2	1
	5	7109230	FRAME, BASE ASSY, 11.75 SILVER W/LABELS	1
	6	7109385	FOOT SERVICE KIT	2
	7	7103750	MOUNTING KIT, ENGINE	1
	8	7105013	WHEEL, SERVICE KIT	1
	9	7106671	HANDLE GRIP, SIMPSON BLACK W/ WHITE LETTERING	1
	10	7107269	ENGINE, HONDA GX200 RED/WHITE	1
	11	7102207	KIT, SVC ASSY SOAP HOSE W/PLASTIC FILTER	1
	12	7103550	LANCE, 16" W/ 1/4 QC AND M22(M)	1
	13	7108124	GUN 4500PSI, 6.6 GPM M22(M) x M22(F) OEM	1
	14	7107184	HOSE, 5/16" x 35' x 3700PSI MORFLEX M22	1
*	15	7102045	TOOL, NOZZLE CLEANING, UNIVERSAL	1

* NOT SHOWN

† NOT SOLD SEPARATELY

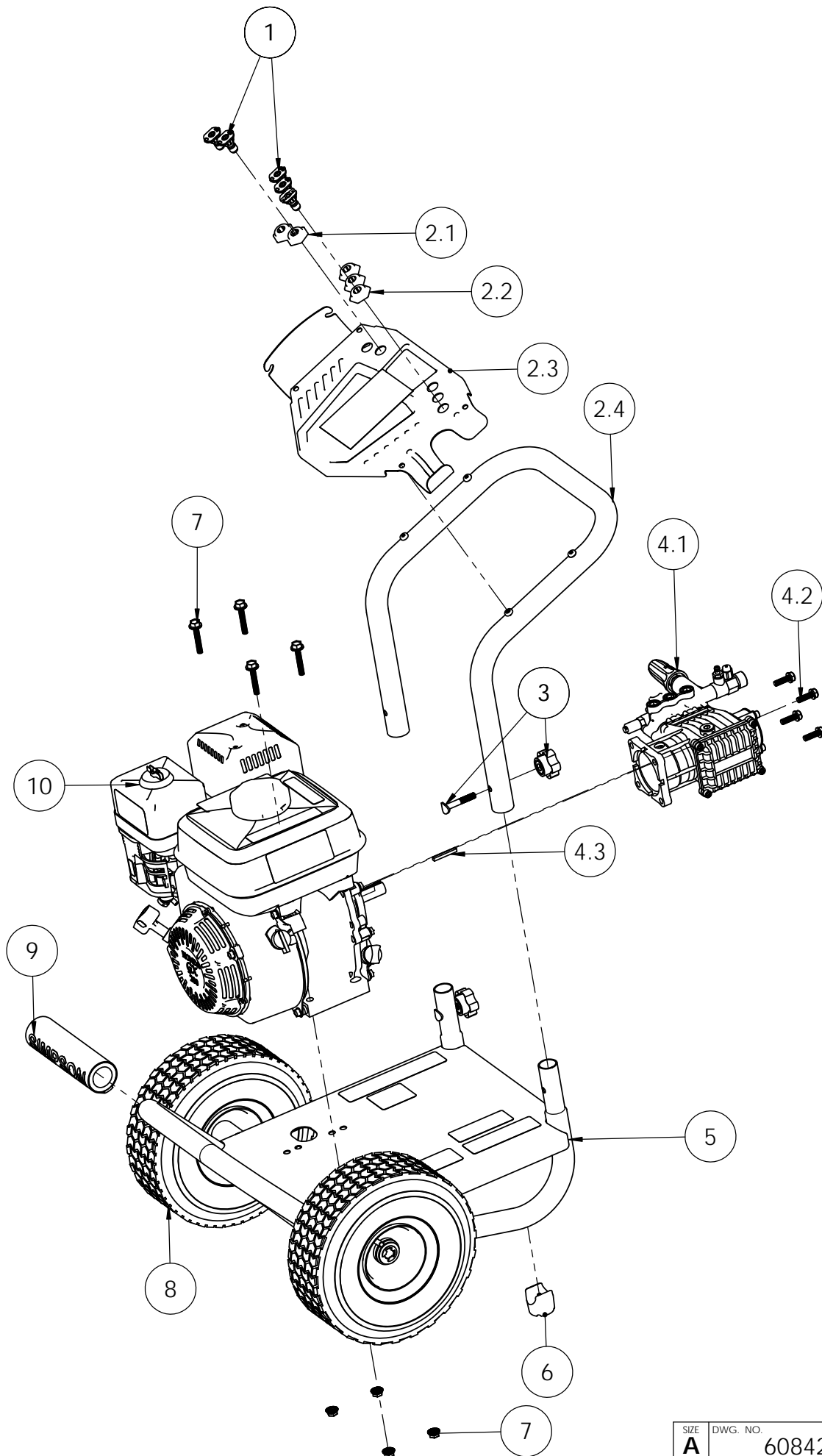


PUMP IDENTIFICATION TABLE		
MACHINE SERIAL NO.	PUMP KIT	PUMP PART NO.
1312739-PRESENT	7109853	530016

	NAME	DATE
DRAWN	HB	5/3/17
CHECKED	DH	MAY 2017
ENG APPR.	SW	May 2017
MFG APPR.	-	-
Q.A. APPR.	CG	MAY 2017
SERVICE APPR.	DH	MAY 2017

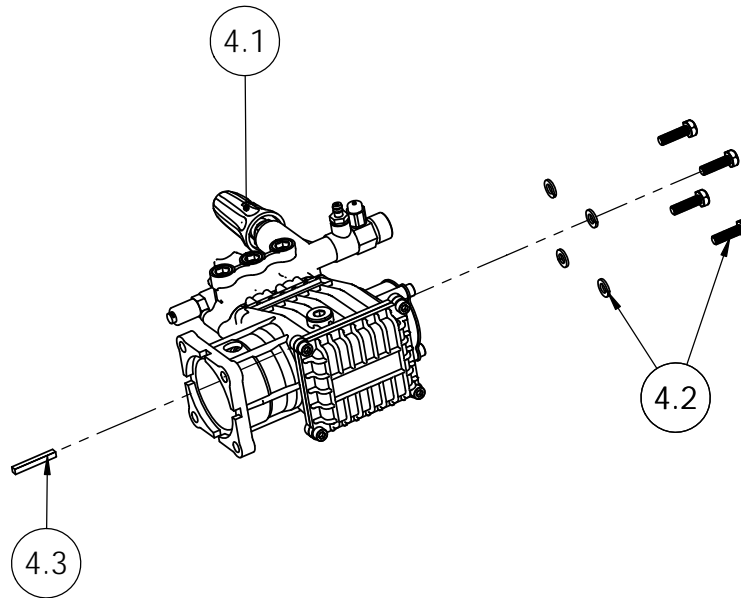
PROPRIETARY AND CONFIDENTIAL
 THE INFORMATION CONTAINED IN THIS DRAWING IS THE SOLE PROPERTY OF FNA-GROUP. ANY REPRODUCTION IN PART OR AS A WHOLE WITHOUT THE WRITTEN PERMISSION OF FNA-GROUP IS PROHIBITED.

FNA-GROUP		
1265 INDUSTRIAL STREET, DECATUR, AR 72722		
TITLE:		
PS60842 3600PSI@2.5GPM GX200		
SIZE	DWG. NO.	REV.
A	60842-S	A
SCALE: 1:8	ECN# DC17-0160	SHEET 1 OF 3

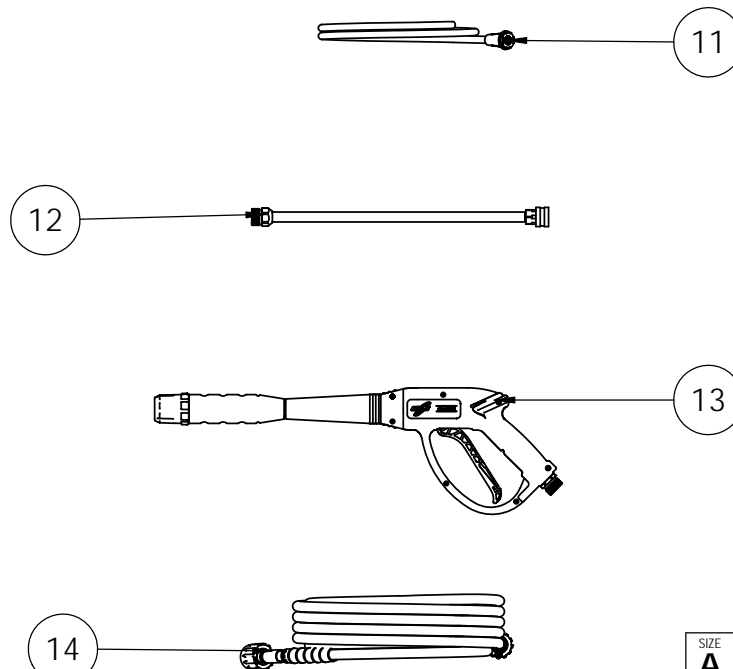


SIZE	DWG. NO.	REV.
A	60842-S	A
SCALE: 1:8	ECN# DC17-0160	SHEET 2 OF 3

ITEM	PART NO	DESCRIPTION	QTY.
4	7109853	PUMP SERVICE ASSY KIT	1
4.1	530016	PUMP, C31 SERIES, HORZ TRIPLEX, 12X8.2	1
4.2	7105474	HARDWARE KIT, PUMP MOUNTING	1
4.3	7101506	KEY, SHAFT 3/16 X 3/16 X 1-1/2	1



ITEM	PART NO	DESCRIPTION	QTY.
11	7102207	KIT, SVC ASSY SOAP HOSE W/PLASTIC FILTER	1
12	7103550	LANCE, 16" W/ 1/4 QC AND M22(M)	1
13	7108124	GUN 4500PSI, 6.6 GPM M22(M) x M22(F) OEM	1
14	7107184	HOSE, 5/16" x 35' x 3700PSI MORFLEX M22	1

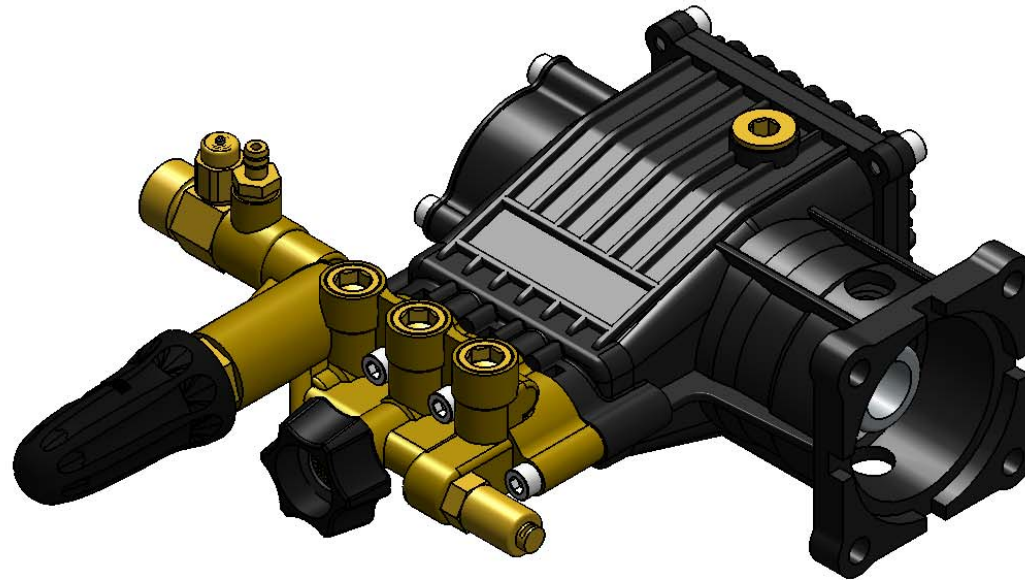


SIZE A	DWG. NO. 60842-S	REV. A
ECN# DC17-0116		SHEET 3 OF 3

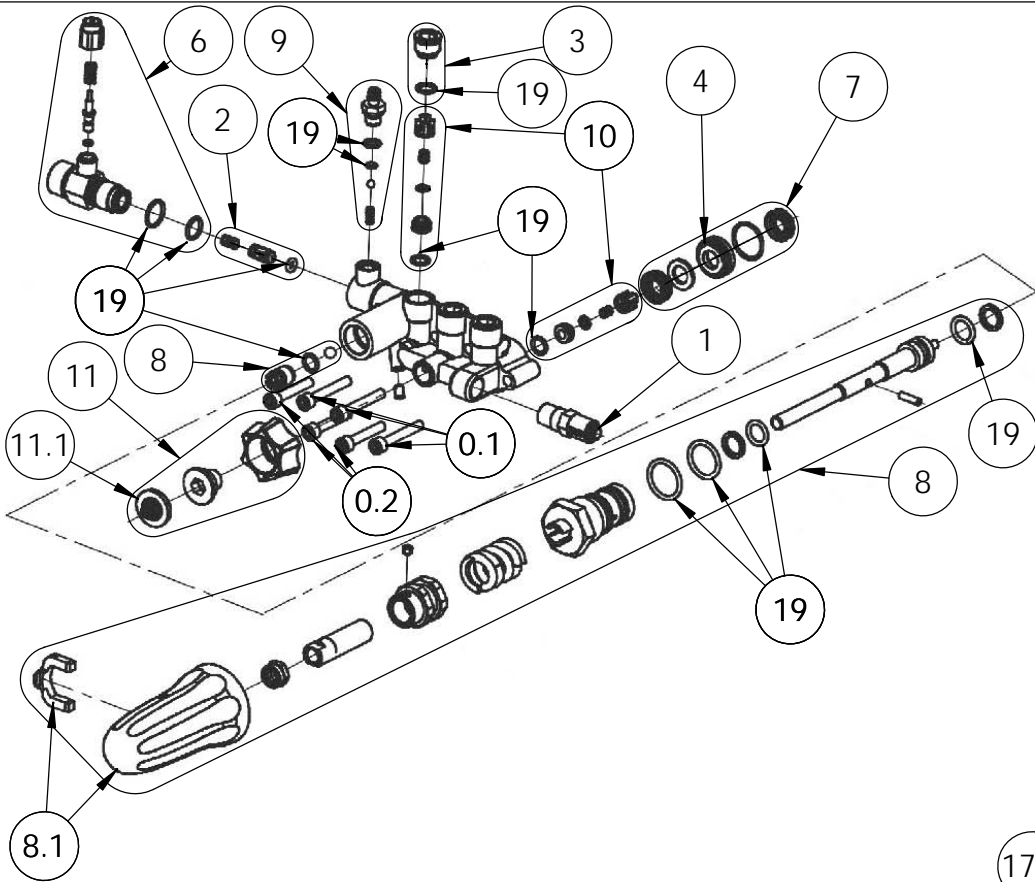
OEM C31 & C32 SERIES TRIPLEX PUMP IPL

PUMPS COVERED IN THIS IPL

530008	
530009	
530016	



<table border="1"> <thead> <tr> <th></th> <th>NAME</th> <th>DATE</th> </tr> </thead> <tbody> <tr> <td>DRAWN</td> <td>JHS</td> <td>AUGUST 2017</td> </tr> <tr> <td>CHECKED</td> <td>DH/OSW</td> <td>AUGUST 2017</td> </tr> <tr> <td>ENG APPR.</td> <td>OSW</td> <td>AUGUST 2017</td> </tr> <tr> <td>MFG APPR.</td> <td>-</td> <td>-</td> </tr> <tr> <td>Q.A. APPR.</td> <td>-</td> <td>-</td> </tr> <tr> <td>SERVICE APPR.</td> <td>DH</td> <td>AUGUST 2017</td> </tr> </tbody> </table>				NAME	DATE	DRAWN	JHS	AUGUST 2017	CHECKED	DH/OSW	AUGUST 2017	ENG APPR.	OSW	AUGUST 2017	MFG APPR.	-	-	Q.A. APPR.	-	-	SERVICE APPR.	DH	AUGUST 2017	<p>FNA-GROUP 1265 INDUSTRIAL STREET, DECATUR, AR 72722</p>	
	NAME	DATE																							
DRAWN	JHS	AUGUST 2017																							
CHECKED	DH/OSW	AUGUST 2017																							
ENG APPR.	OSW	AUGUST 2017																							
MFG APPR.	-	-																							
Q.A. APPR.	-	-																							
SERVICE APPR.	DH	AUGUST 2017																							
<p>PROPRIETARY AND CONFIDENTIAL THE INFORMATION CONTAINED IN THIS DRAWING IS THE SOLE PROPERTY OF FNA-GROUP. ANY REPRODUCTION IN PART OR AS A WHOLE WITHOUT THE WRITTEN PERMISSION OF FNA-GROUP IS PROHIBITED.</p>			<p>TITLE: OEM C31 & C32 SERIES PUMP IPL</p>																						
<p>SIZE DWG. NO. REV A 530008 530009 530016-DD</p>			<p>SCALE: N/A ECN# EC180083 SHEET 1 OF 4</p>																						



MANIFOLD KIT P/N 7108746

ITEM	PART NO.	DESCRIPTION	QTY	COMMENT
0.1	NOT SOLD SEPARATELY	SCREW, M6*40	3	TORQUE TO 100 IN-LB 11N-M
0.2	NOT SOLD SEPARATELY	SCREW, M6*35	3	TORQUE TO 100 IN-LB 11N-M
1	7101359	THERMAL RELIEF VALVE	1	TORQUE TO 155 IN-LB 18N-M
2	7105740	CHECK VALVE KIT	1	
3	7110129	VALVE CAP KIT	3	2 KITS REQ'D FOR THIS MODEL, TORQUE TO 155 IN-LB 18N-M
4	7110125	SEAL RETAINER KIT	3	
5	7110123	SEAL SPACER KIT	3	
6	7106264	KIT, BOOST VALVE	1	TORQUE TO 155 IN-LB 18N-M
7	7105742	WATER SEAL KIT	3	
8	7108745	UNLOADER KIT	1	
8.1	7109325	UNLOADER CAP KIT	1	
9	7104228	SOAP INJECTOR KIT	1	TORQUE TO 110 IN-LB 13N-M
10	7104223	VALVE KIT	6	
11	7110329	WATER INLET KIT	1	
11.1	7000123	WATER INLET SCREEN	1	

CRANKCASE KIT P/N 7105936

ITEM	PART NO.	DESCRIPTION	QTY	COMMENT
12		OIL BREATHER KIT	1	
13	SEE ID TABLE BELOW	OIL PLUG KIT	1	TORQUE TO 155IN-LB 18N-M
14	SEE ID TABLE BELOW	REAR CRANK COVER KIT	1	
14.1		SCREW, M6*10	4	TORQUE TO 80 IN-LB 9N-M
15	7105741	OIL SEAL SET	1	
16	7110114	CONNECTING ROD/PISTON KIT	1	
17	7105921	SIGHT GLASS KIT	1	
17.1	NOT SOLD SEPARATELY	SCREW, M6*12	3	TORQUE TO 80 IN-LB 9N-M
18	7110829	CRANKSHAFT OIL SEAL KIT	1	

MISC. PARTS

ITEM	PART NO.	DESCRIPTION
19	7110121	ORING KIT, COMPLETE

CRANKCASE COVER IDENTIFICATION

COVER KIT P/N: 7110126	COVER KIT P/N: 71110XX
VENT CAP P/N: 7108868	VENT CAP P/N: 7111013
OIL PLUG P/N: 7110127	OIL PLUG P/N: 7111014
CRANKCASE COVERS ARE NOT INTERCHANGEABLE BOTH TYPES OF SEAL INCLUDED IN ORING KIT (7110146)	

