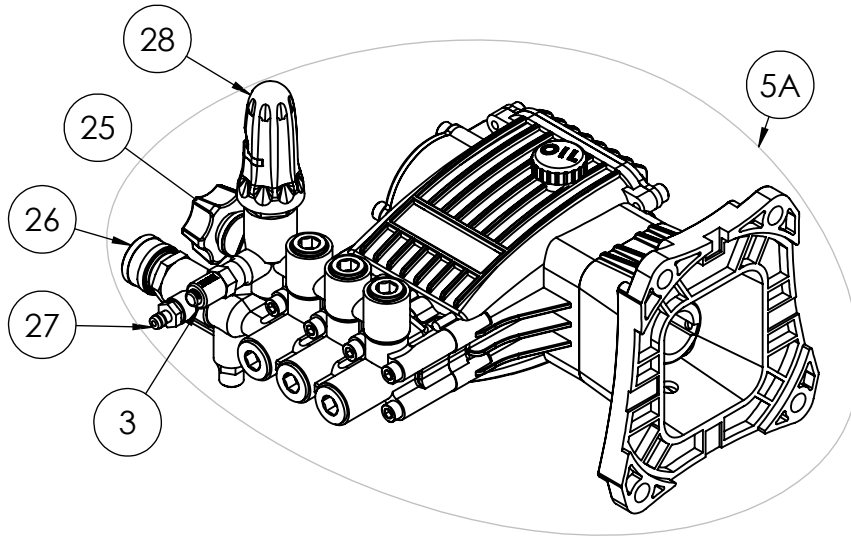
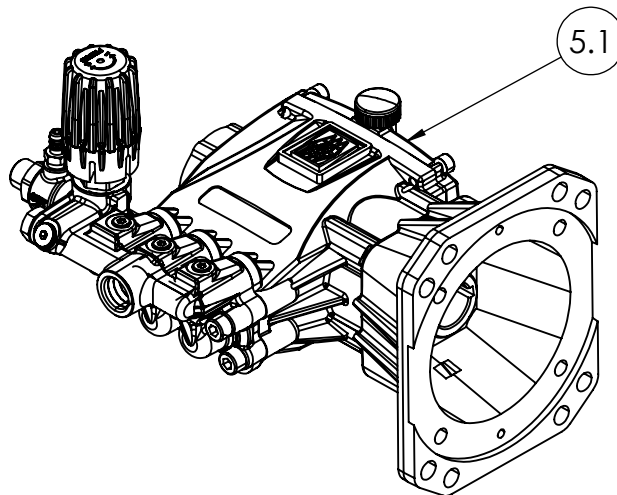


ITEM NO.	PART NUMBER	DESCRIPTION	QTY.
1	N/A	ENGINE, GX270 HONDA	1
2	7111997	SPACER, 1" ENGINE SHAFT 12.5 LONG	1
3	7101359	THERMAL RELIEF VALVE, 1/4" NPT	1
4	7109420	INSERT, 1/2" GARDEN HOSE W/FILTER	1
5*	SEE PAGE 3	PUMP	1
6	7103279	KIT, PUMP MOUNTING HARDWARE	1
7	7114902	HANDLE KIT	1
8	7102045	TOOL, NOZZLE CLEANING, UNIVERSAL	1
9	7100634	NOZZLE SET, 0, 15, 25, 40, SOAP 1/4 QC-M	1
10	7103161	NOZZLE HOLDER, 5PC RUBBER	1
11	7109099	QS HANDLE, SIMPSON, 14", BLK W/LABELS	1
12	7110536	DASHBOARD SERVICE ASSEMBLY	1
13	7107941	KNOB-BOLT ASSEMBLY	2
14	7114903	FRAME KIT	1
15	7103292	KIT, FOOT SVC ASY	2
16	7114457	SPACER	2
17	7101416	WHEEL, 13" PNEUMATIC, BLACK	2
18	7114502	WHEEL MOUNTING HARDWARE	2
19	7103261	LANCE, 31IN X M22(M) IN X 1/4QC(F) OUT	1
20	7112779SIM	GUN, 4500PSI M22(F) X 3/8"QC(M), SIMPSON	1
21	7103642	HOSE, 3/8" x 50' x 4500PSI WIRE BRAID	1
22	7102207	KIT, SVC ASSY SOAP HOSE W/PLASTIC FILTER	1
23	7105186	HANDLE GRIP, SILVER/WHITE SIMPSON	1
24	7110235	HARDWARE KIT, ENGINE MOUNTING	1



ITEM	PART NUMBER	DESCRIPTION	QTY.
5A	530010	PUMP	1
3	7101359	THERMAL RELIEF VALVE	1
25	7110330	WATER INLET KIT	1
26	7110331	WATER OUTLET KIT	1
27	7104228	SOAP INJECTOR KIT	1
28	7108747	UNLOADER KIT	1

NOTE: DURING PRODUCTION THERE WERE TWO DIFFERENT PUMPS USED. 530010 CAN BE IDENTIFIED BY HAVING FINS ON THE HOUSING; WHERE AS 7112736 DOES NOT HAVE FINS ON THE HOUSING



ITEM	PART NUMBER	DESCRIPTION	QTY.
5B	7112736	PUMP	1