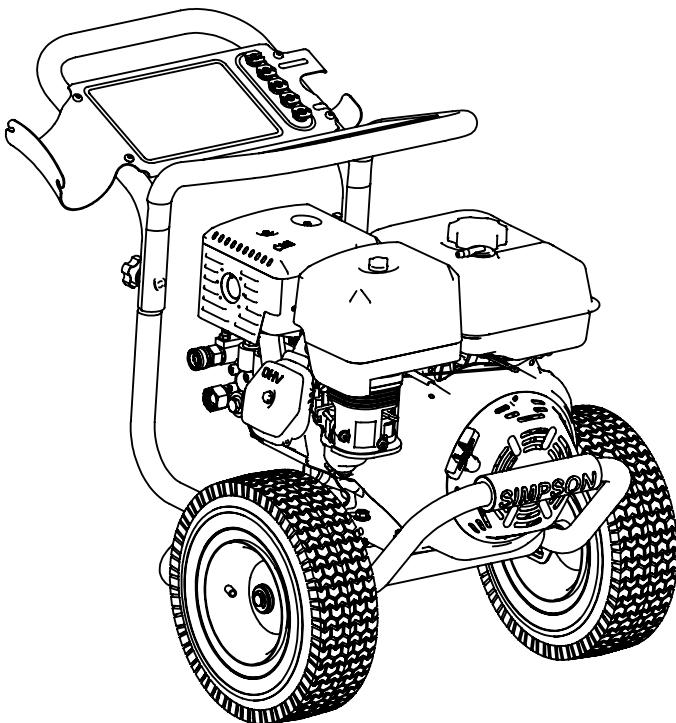


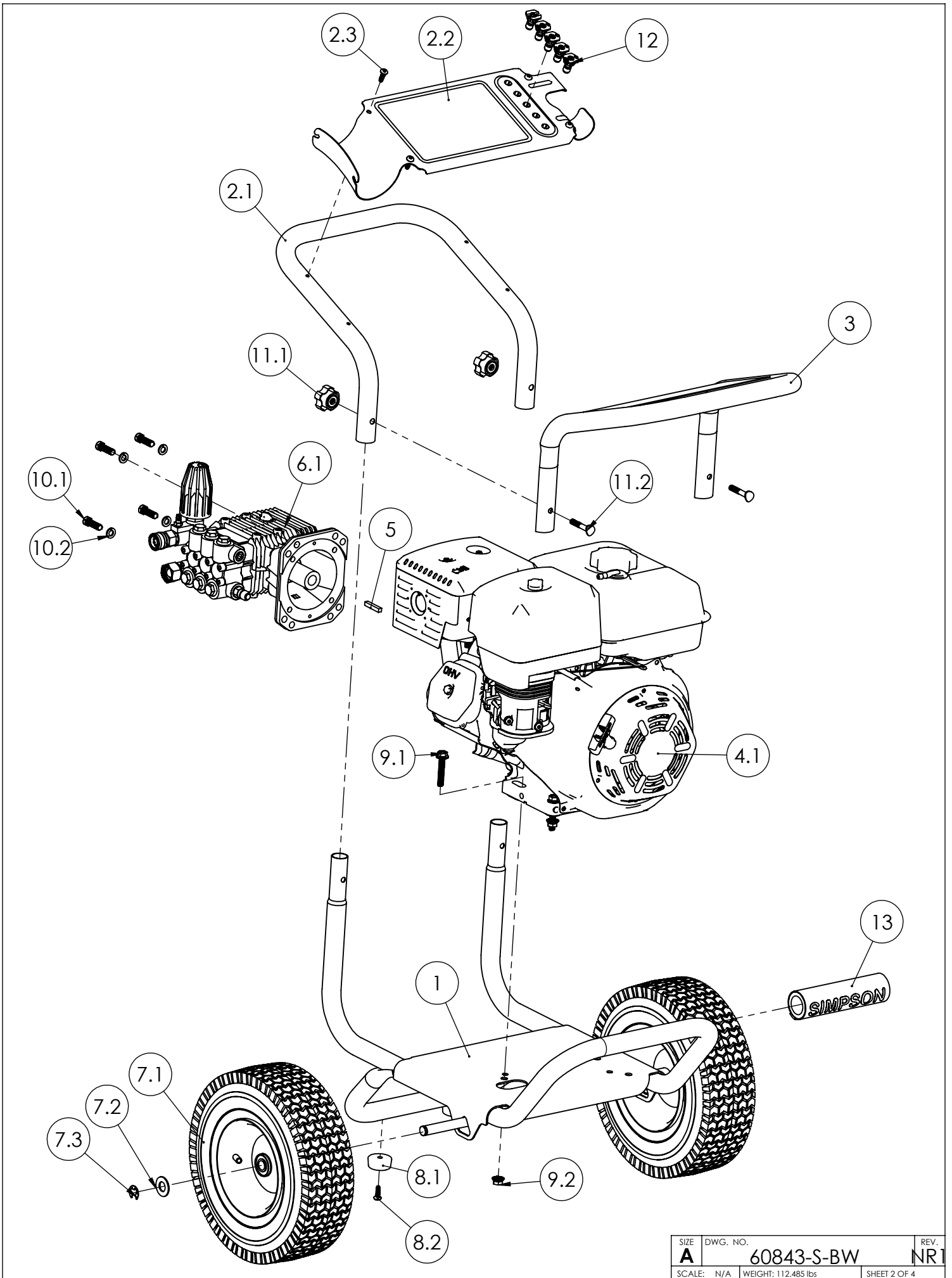
ITEM	PART NO	DESCRIPTION	QTY.
1	7104998	FRAME, BASE ASSY FLAT BLACK 13.25" SIMPSON	1
2	7109243	HANDLE ASSEMBLY KIT, PS60843	1
† 2.1		HANDLE, REAR BLACK DXPW 18GA. 13.25"	1
2.2	7109352	DASHBOARD SERVICE KIT WITH LABELS (PS60843)	1
† 2.3		SCREW , TORX PANHEAD TT 1/4"-20 x 3/4"	4
† 2.4		DASHBOARD, LABEL BEAUTY PS60843	1
† 2.5		LABEL, REGISTER REVIEW CONNECT	1
3	7109099	QS HANDLE, SIMPSON, 14", BLK W/LABELS	1
4	7109346	ENGINE, SVC ASSY SHINERAY 420CC	1
4.1	100562	ENGINE, SHINERAY 420CC HRZ BLACK RECOIL	1
5	7105453	KEY, SHAFT 1/4" X 1/4" X 1-1/2"	1
6	7105462	PUMP, ZWD-K4042 SERVICE KIT	1
6.1	7104820	PUMP, HORIZONTAL 4200PSI @ 4.2GPM COMET	1
7	7105376	KIT, 13" WHEEL SERVICE	2
† 7.1		WHEEL, 13" BLACK	1
† 7.2		WASHER, 5/8" FLAT	1
7.3		CLIP, E-TYPE 0.625" x 0.042"	1
8	7103292	KIT, FOOT SVC ASY .625"	2
† 8.1		FOOT, RUBBER 1.5"ODx.625"-5/16 INSERT	1
† 8.2		SCREW , TORX PANHEAD TT 1/4"-20 x 3/4"	1
9	7103277	HARDWARE KIT, ENGINE MOUNTING	1
† 9.1		BOLT, 3/8"-16 x 2" SERRATED FLANGE	4
† 9.2		NUT, 3/8"-16 WHIZ	4
10	7103279	KIT, PUMP MOUNTING HARDWARE	1
† 10.1		BOLT, 3/8"-16 x 1 1/4"	4
† 10.2		WASHER, 3/8" SPLIT-LOCK	4
11	7107941	KNOB-BOLT ASSEMBLY	2
† 11.1		KNOB, HANDLE 5/16-18	1
† 11.2		BOLT, SADDLE 5/16"-18 x 2"	1
12	7101683	NOZZLE SET, 4.0 5PC 1/4" QC-M	1
13	7105186	HANDLE GRIP, SILVER/WHITE SIMPSON	1
14	7108125	GUN, 4500PSI 3/8QC(M) INLET X M22(F) OEM	1
15	7103261	LANCE, 31" 1/4"QC-F x M22(M)	1
16	7103642	HOSE, 3/8" x 50' x 4500PSI WIRE BRAID	1
17	7102207	KIT, SVC ASSY SOAP HOSE W/PLASTIC FILTER	1
* 18	7102045	TOOL, NOZZLE CLEANING, UNIVERSAL	1
* 19	7109350	MANUAL AND ACCESSORY KIT PS60843	1
* 20	7109351	BOX KIT, PS60843	1

\* NOT SHOWN

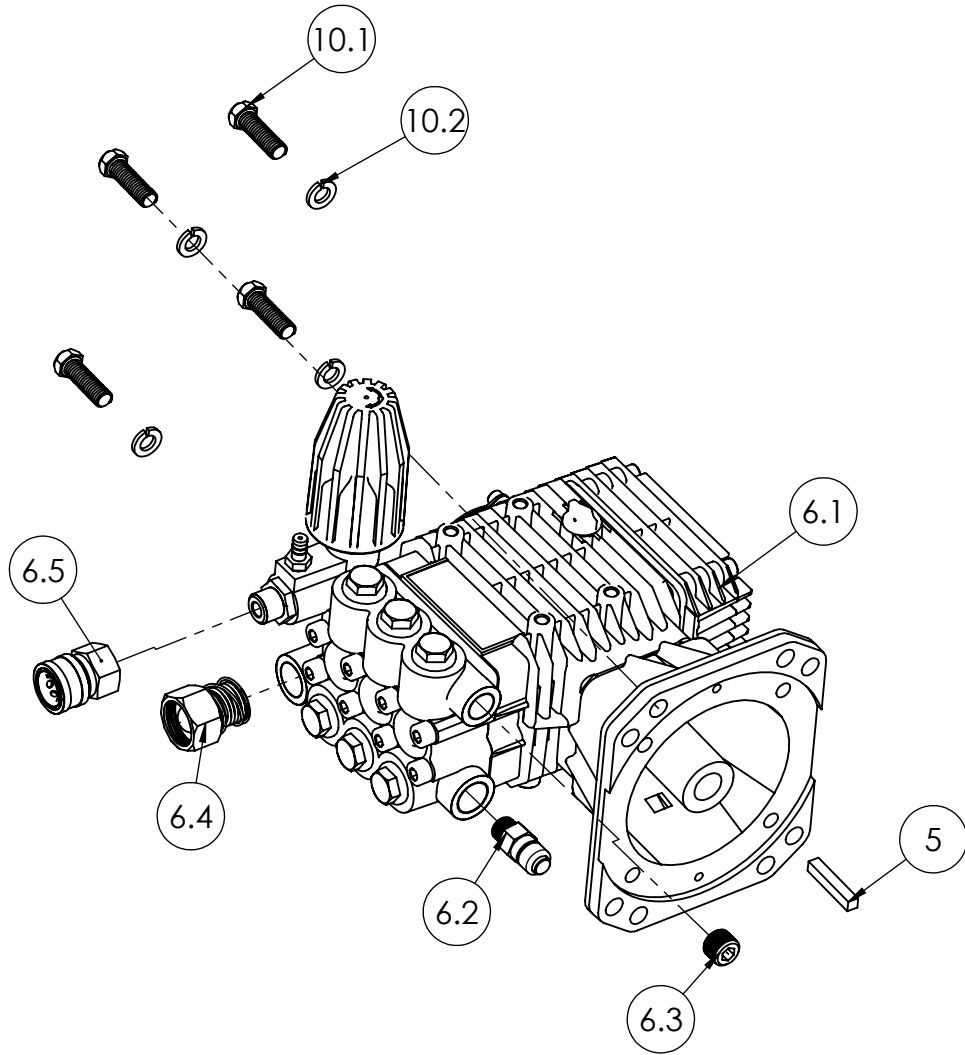
† NOT SOLD SEPERATELY



NAME		DATE	FNA-GROUP	
DRAWN	RV	10/05/16	1265 INDUSTRIAL STREET, DECATUR, AR 72722	
CHECKED	-	-	TITLE:	
ENG APPR.	-	-	PS60843, SHINERAY 4400	
MFG APPR.	-	-	PSI @ 4.0 GPM	
Q.A. APPR.	-	-	SIZE DWG. NO.	
SERVICE APPR.	-	-	A 60843-S-BW	
PROPRIETARY AND CONFIDENTIAL			REV.	
THE INFORMATION CONTAINED IN THIS DRAWING IS THE SOLE PROPERTY OF FNA-GROUP. ANY REPRODUCTION IN PART OR AS A WHOLE WITHOUT THE WRITTEN PERMISSION OF FNA-GROUP IS PROHIBITED.			NR1	
SCALE:	N/A	WEIGHT: 112.485 lbs	SHEET 1 OF 4	



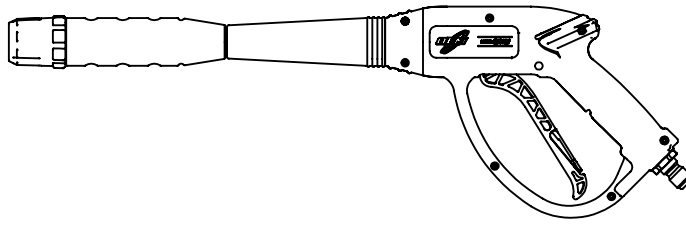
SIZE	DWG. NO.	REV.
<b>A</b>	60843-S-BW	NR1
SCALE: N/A	WEIGHT: 112.485 lbs	SHEET 2 OF 4



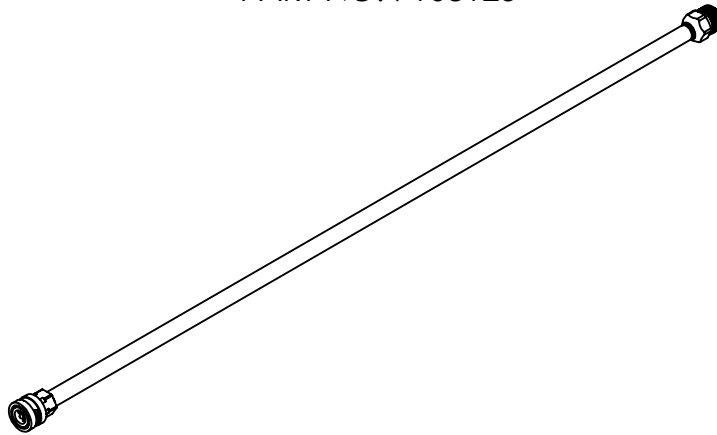
6 PUMP, HORIZONTAL 4200PSI @4.2GPM COMET  
PART NO. 7105462

ITEM	PART NO	QTY.	DESCRIPTION
5	7105453	1	KEY, SHAFT 1/4" X 1/4" X 1-1/2"
6.1	7104820	1	PUMP, HORIZONTAL 4200PSI @ 4.2GPM COMET
6.2	7101359	1	VALVE, THERMAL RELIEF 1/4" NPT(M)
6.3	7102470	1	PLUG, 3/8" NPT, REC. HEX HEAD, BRASS
6.4	7100051	1	INLET FITTING, 1/2" NPTM x 3/4" GHT
6.5	7100019	1	COUPLER, 3/8" QC-F x 3/8" NPTF
10	7103279	1	KIT, PUMP MOUNTING HARDWARE
† 10.1		4	BOLT, 3/8"-16 x 1 1/4"
† 10.2		4	WASHER, 3/8" SPLIT-LOCK
17	7102207	1	KIT, SVC ASSY SOAP HOSE W/PLASTIC FILTER

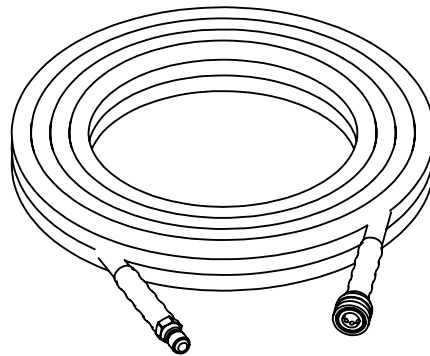
† NOT SOLD SEPERATELY



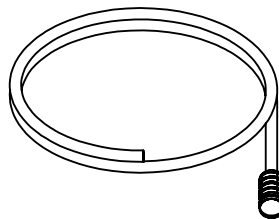
GUN, 4500PSI 3/8QC(M) INLET X M22(F) OEM  
PART NO. 7108125



LANCE, 31" 1/4"QC-F x M22(M)  
PART NO. 7103261



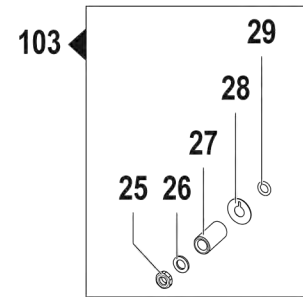
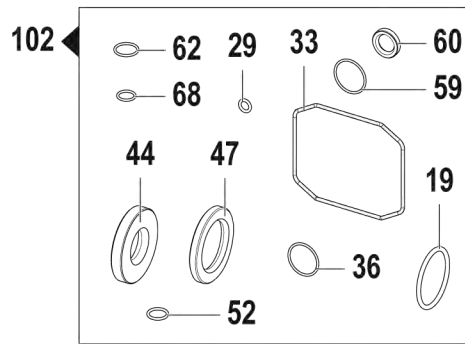
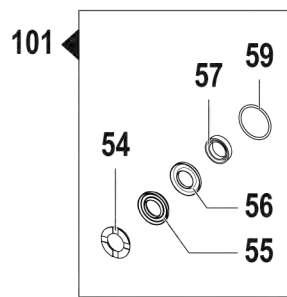
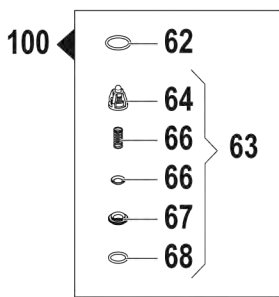
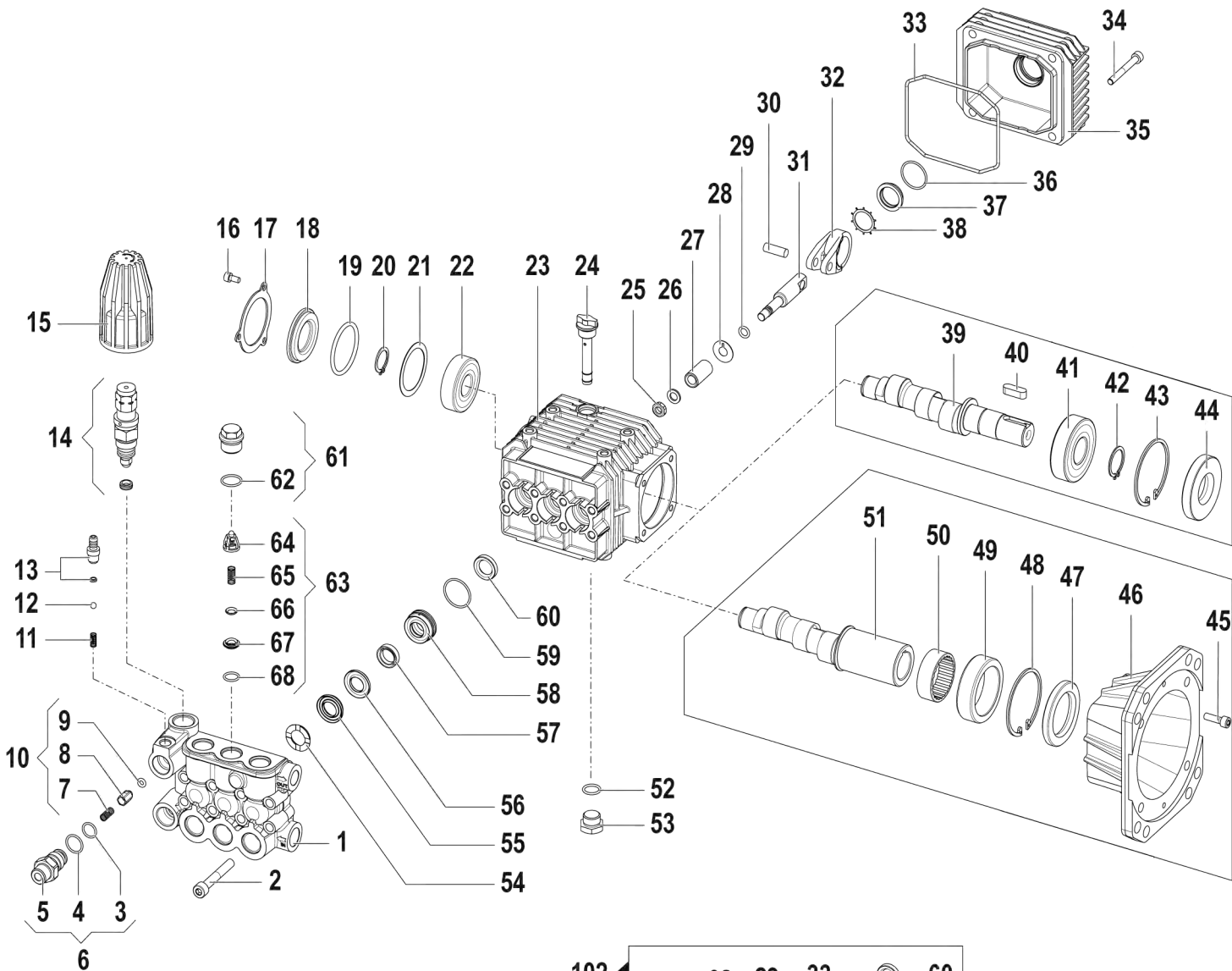
HOSE, 3/8" x 50' x 4500PSI WIRE BRAID  
PART NO. 7103642



KIT, SVC ASSY SOAP HOSE W/PLASTIC FILTER  
PART NO. 7102207

# PUMP DIAGRAM

ZWD-K3538 & ZWD-K4042



Pumps Covered By This Document	
Part No.	Model
7104757	ZWD-K4042
7104820	ZWD-K4042
7104858	ZWD-K3538

Torque Specifications						
No.	Part No.	Description	lb.ft	lb.in	N.m	Apply To Thread
2	7105403	M8 x 55 Screw	18.4	220	25	-
16	7105412	M5 x 10 Screw	3.0	40	4	-
25	-	Piston Nut	4.4	50	6	Loctite 243
34	7105425	M6 x 50 Screw	6.6	80	9	-
45	7105436	M6 x 20 Screw	6.6	80	9	-
61	7105446	Valve Plug	33.2	400	45	Loctite 243

### Pump Components ZWD-K3538/ZWD-K4042

ITEM #	PART #	DESCRIPTION	QTY PER PUMP	PUMPS AFFECTED
1	7105402	MANIFOLD, COMET ZWD-K PUMP BRASS	1	ALL
2	7105403	SCREW , MB X 55mm	8	ALL
3		O-RING, 01.75 X 12.42mm		ALL
4		O-RING, 01.78 X 15.6mm		ALL
5		INJECTOR BODY, 02mm-3/ 8" NPT(M)		ALL
6	7105404	INJECTOR BODY KIT, 02mm3/ 8" NPT(M)		ALL
7		SPRING		ALL
8		CHECK VALVE		ALL
9	7105405	O-RING, 02.4 X 4.3mm		ALL
10	7105406	CHECK VALVE KIT		ALL
11	7105407	DETERGENT SPRING		ALL
12	7105408	DETERGENT BALL		ALL
13	7105409	DETERGENT COUPLING		ALL
14	7105410	UNLOADER VALVE KIT, 3600PSI[250BAR]		ALL
15	7105411	UNLOADER ADJUSTMENT KNOB		ALL
16	7105412	SCREW, MS X 10mm	3	ALL
17	7105413	CRANKCASE FLANGE		ALL
18	7105414	ALUMINUM END COVER		ALL
19	7105415	O-RING, 03.53 X 44.04mm		ALL
20	7105416	EXTERNAL SNAP RING, 020mm C72		ALL
21	7105417	SPACER, 041 X 51.8 X 0.5mm		ALL
22	7105418	BALL BEARING, 020 X 52 X 15mm		ALL
23	7105419	PUMP CRANKCASE		ALL
24	7105420	OIL DIPSTICK		ALL
25		SPECIAL NUT	3	ALL
26		WASHER , 08.2 X 14 X 1.5mm	3	ALL
27		CERAMIC BUSHING, 015mm	3	ALL
28		WASHER	3	ALL
29		O-RING, 01.78 X 6.07mm	3	ALL
30	7105421	PISTON PIN	3	ALL
31	7105422	PISTON GUIDE	3	ALL
32	7105423	CONNECTING ROD ASSEMBLY	3	ALL
33	7105424	O-RING, 03.0 X 94mm		ALL
34	7105425	SCREW , M6 X 50mm	4	ALL
35	7105426	CRANKCASE COVER		ALL
36	7105427	O-RING, 01.78 X 23.25mm		ALL
37	7105428	OIL LEVEL SIGHT GLASS		ALL
38	7105429	SIGHT GLASS RETAINING RING, 028mm		ALL
39	7105430	CRANKSHAFT, 024 X 9.6mm		7104757 ONLY
40	7105431	SHAFT KEY, 8 X 7 X 25mm		7104757 ONLY
41	7105432	BALL BEARING, 025 X 62 X 17mm		7104757 ONLY
42	7105433	EXTERNAL SNAP RING, 025mm C72		7104757 ONLY
43	7105434	INTERNAL SNAP RING, 062mm C72		7104757 ONLY
44	7105435	OIL SEAL, 025 X 62 X 10/ 7mm		7104757 ONLY
45	7105436	SCREW, M6 X 20mm	4	7104858 & 7104820
46	7105437	MOUNTING FLANGE, 1.00"		7104858 & 7104820
47	7105438	OIL SEAL, 040 X 62 X 7mm		7104858 & 7104820
48	7105434	INTERNAL SNAP RING, 062mm C72		7104858 & 7104820
49	7105439	BUSHING		7104858 & 7104820
50	7105440	ROLLER BEARING, 040 X 47 X 16mm		7104858 & 7104820
51	7105441	CRANKSHAFT, 01.00" X 8.3mm		7104858
51	7105442	CRANKSHAFT, 01.00" X 9.6mm		7104820
52	7105443	O-RING, 02 X 14mm		ALL
53	7105444	CAP, 3/ 8" GAS PIPE THREAD		ALL
54		PACKING HEAD RING, 015mm	3	ALL
55		PACKING, 015mm	3	ALL
56		BACK RING, 015mm	3	ALL
57		PACKING, 015 X 22 X 5.5mm	3	ALL
58	7104949	PACKING RETAINER, 015mm	3	ALL
59		O-RING, 01.78 X 26.7mm	3	ALL
60	7105445	OIL SEAL, 015 X 24 X 5mm	3	ALL
61	7105446	PLUG AND O- RING KIT	6	ALL
62	7105447	O-RING, 01.78 X 17.17mm	6	ALL
63		SUCTION/ PRESSURE VALVE ASSEMBLY KIT	6	ALL
64		SUCTION/ PRESSURE VALVE CAGE	6	ALL
65		VALVE SPRING	6	ALL
66		SUCTION/ PRESSURE VALVE	6	ALL
67		SUCTION/ PRESSURE VALVE SEAT	6	ALL
68		O-RING, 01.78 X 12.42mm	6	ALL
		SPARE PARTS KITS		
100	7105448	SUCTION/ PRESSURE VALVE KIT		ALL
101	7105449	WATER SEAL KIT		ALL
102	7105450	OIL SEAL KIT		ALL
103	7105451	PISTON KIT 15MM		ALL