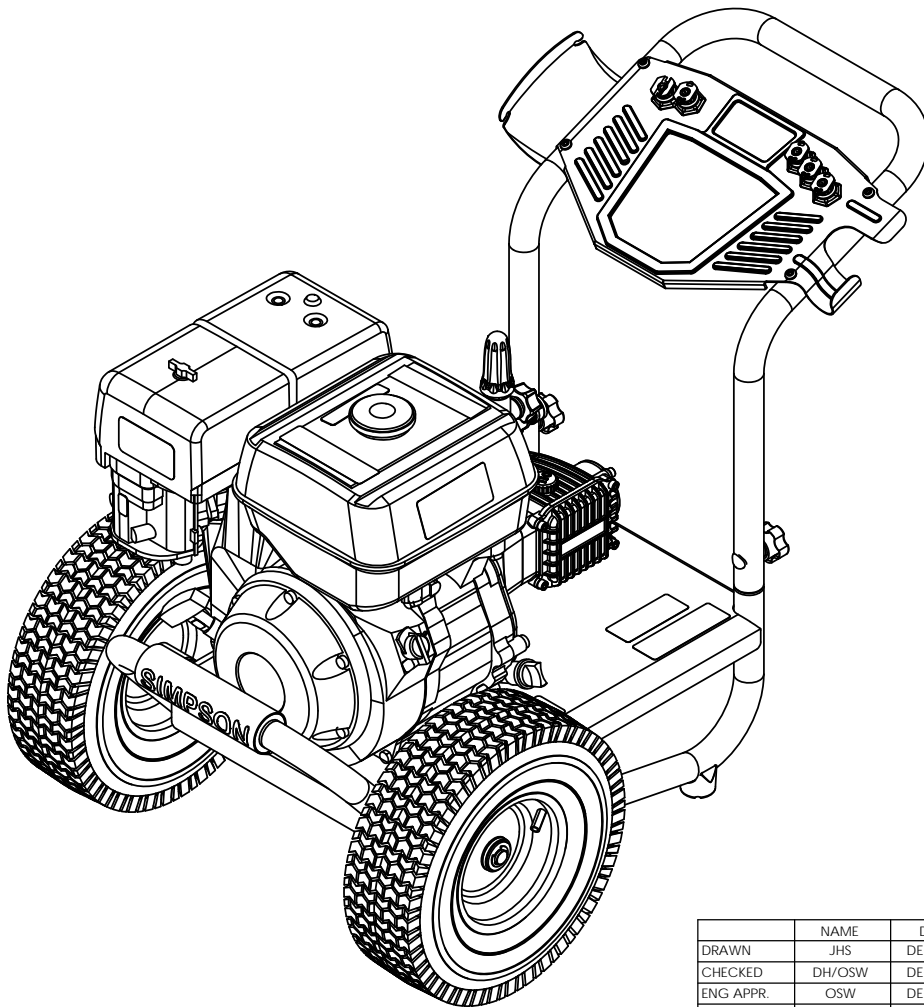


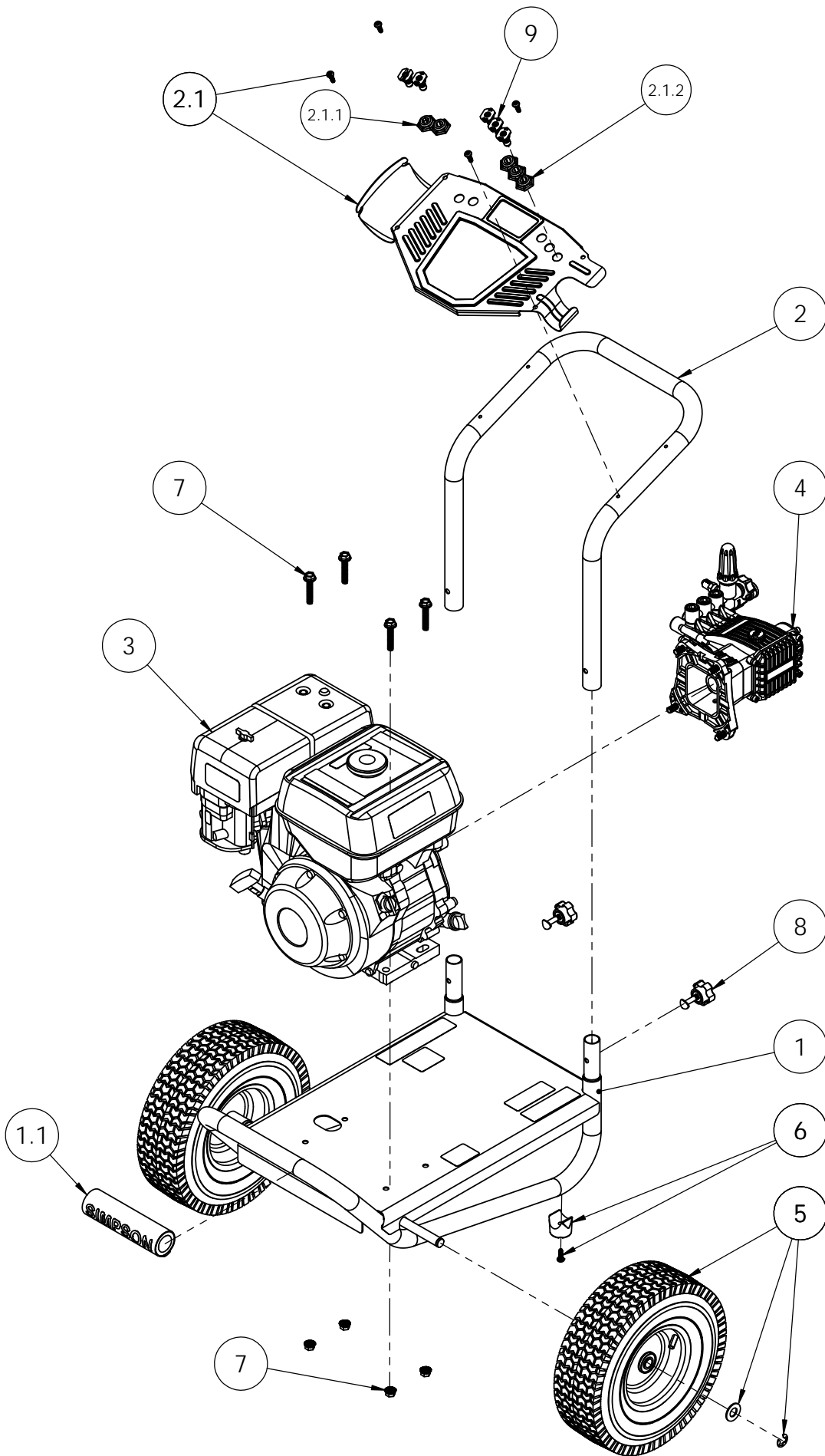
ITEM	PART NO	QTY.	DESCRIPTION
1	7109234	1	FRAME, BASE ASSY, 13.25 SILVER W/LABELS
1.1	7106671	1	HANDLE GRIP, SIMPSON BLACK W/ WHITE LETTERING
2	7110646	1	HANDLE SERVICE ASSEMBLY 60918
2.1	7110645	1	DASHBOARD SERVICE ASSEMBLY 60918
2.1.1	7107067	1	HOLDER, NOZZLE 2PC RUBBER STRIP
2.1.2	7107068	1	HOLDER, NOZZLE 3PC RUBBER STRIP
3	7107276	1	ENGINE, SVC ASSY GX270 RED HONDA
4	7109049	1	PUMP SERVICE ASSEMBLY, 530010
5	7105376	2	KIT, 13" WHEEL SERVICE
6	7109385	2	FOOT SERVICE KIT
7	7103277	1	HARDWARE KIT, ENGINE MOUNTING
8	7107941	2	HARDWARE KIT, HANDLE MOUNTING
9	7100634	1	NOZZLE SET 3.5 5pc 1/4 QC-M



	NAME	DATE
DRAWN	JHS	DEC 2017
CHECKED	DH/OSW	DEC 2017
ENG APPR.	OSW	DEC 2017
MFG APPR.	-	-
Q.A. APPR.	-	-
SERVICE APPR.	DH	DEC 2017

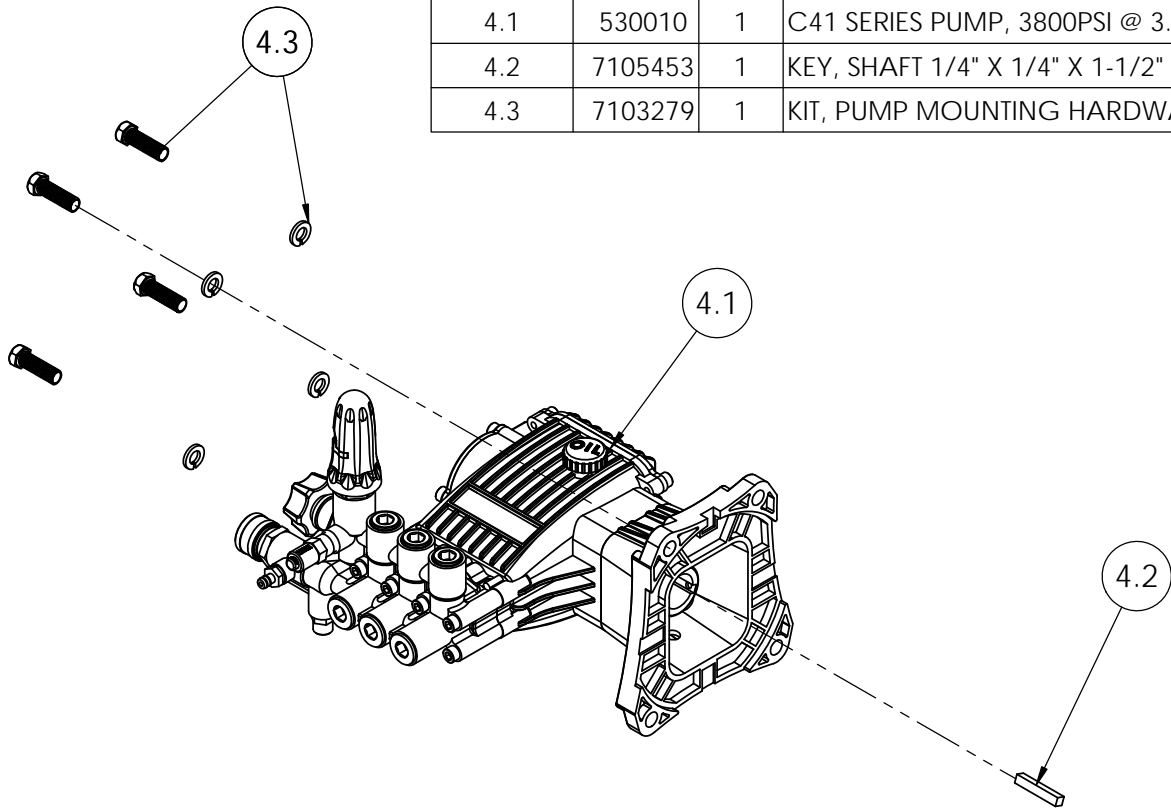
PROPRIETARY AND CONFIDENTIAL
 THE INFORMATION CONTAINED IN THIS DRAWING IS THE SOLE PROPERTY OF FNA-GROUP. ANY REPRODUCTION IN PART OR AS A WHOLE WITHOUT THE WRITTEN PERMISSION OF FNA-GROUP IS PROHIBITED.

FNA-GROUP 1265 INDUSTRIAL STREET, DECATUR, AR 72722		
TITLE: PS60918 4000PSI@3.5GPM		
SIZE	DWG. NO.	REV.
A	60918-S	A
SCALE: N/A	ECN# EC17-0421	SHEET 1 OF 3



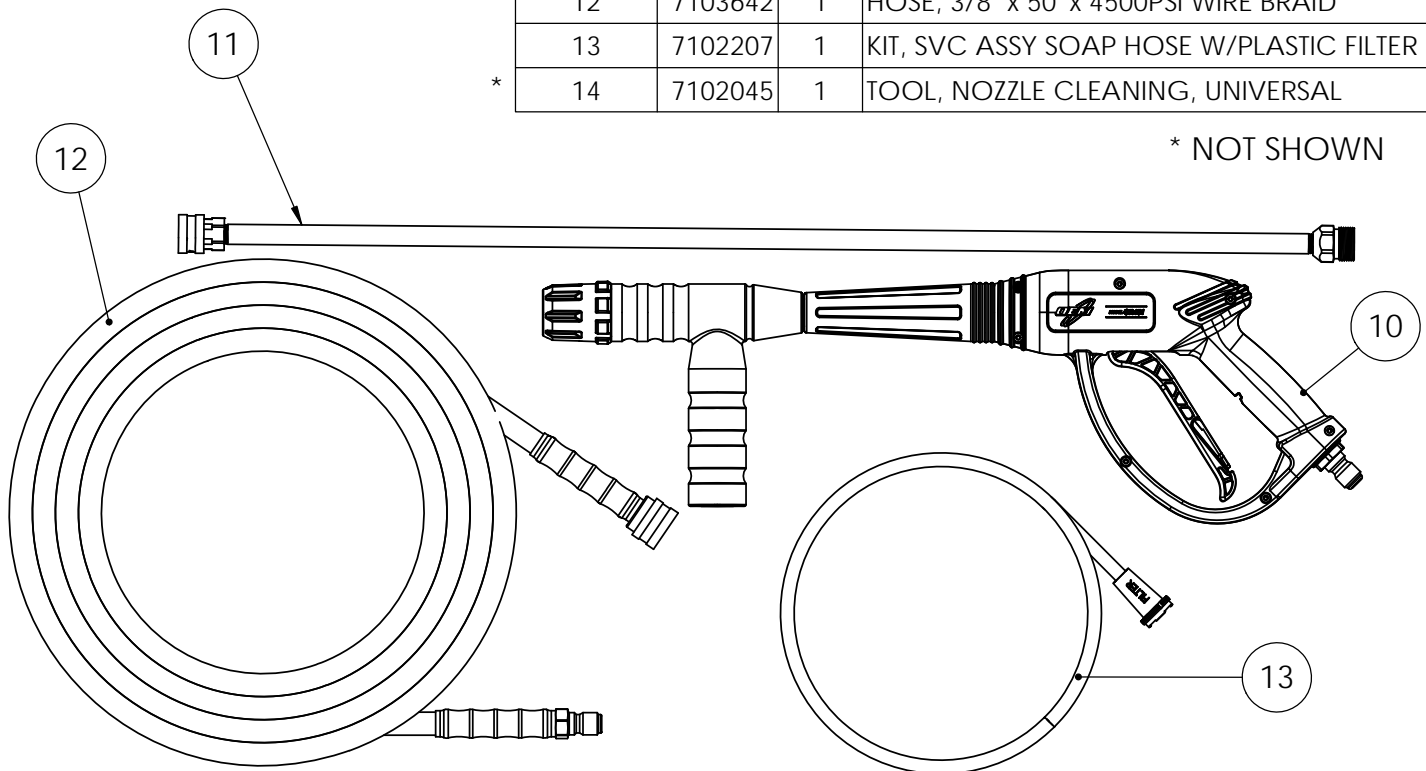
SIZE	DWG. NO.	REV.
A	60918-S	A
SCALE: N/A	ECN# EC17-0421	SHEET 2 OF 3

ITEM	PART NO	QTY.	DESCRIPTION
4	7109049	1	PUMP SERVICE ASSEMBLY, 530010
4.1	530010	1	C41 SERIES PUMP, 3800PSI @ 3.5GPM HORIZ
4.2	7105453	1	KEY, SHAFT 1/4" X 1/4" X 1-1/2"
4.3	7103279	1	KIT, PUMP MOUNTING HARDWARE



ITEM	PART NO	QTY.	DESCRIPTION
10	7108127	1	GUN, 4500PSI, 6.6GPM, 3/8 QC(M) W/SIDE H
11	7103261	1	LANCE, 31" 1/4"QC-F x M22(M)
12	7103642	1	HOSE, 3/8" x 50' x 4500PSI WIRE BRAID
13	7102207	1	KIT, SVC ASSY SOAP HOSE W/PLASTIC FILTER
* 14	7102045	1	TOOL, NOZZLE CLEANING, UNIVERSAL

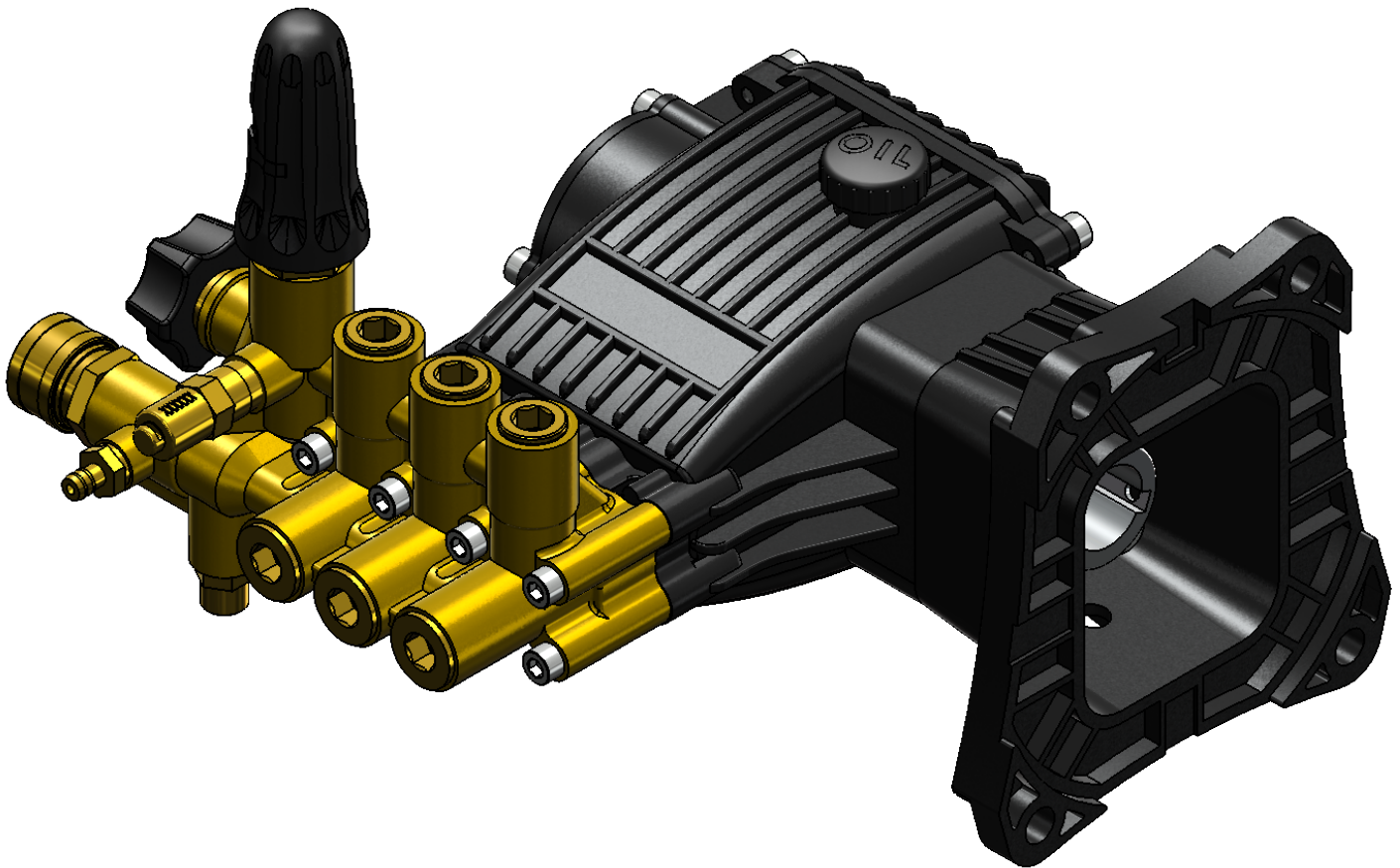
* NOT SHOWN



PHOENIX 41 SERIES PUMP IPL

PUMPS COVERED IN THIS IPL

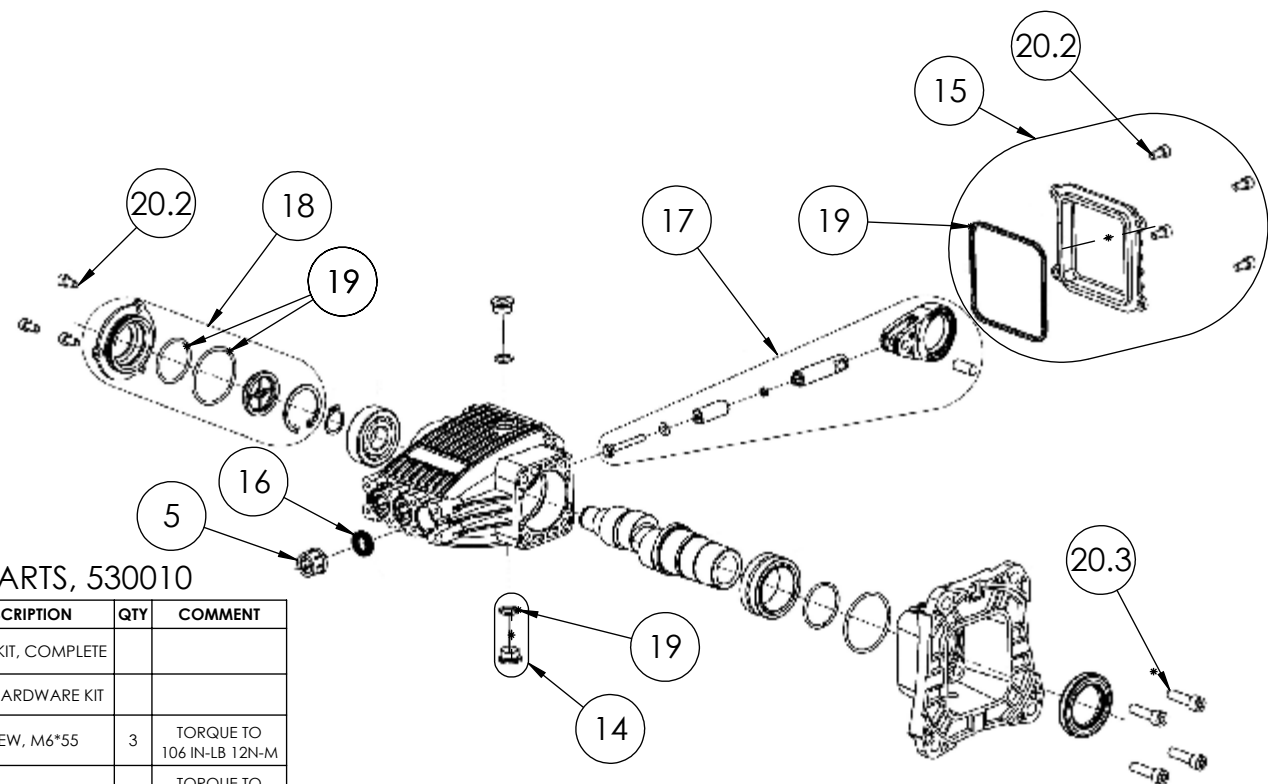
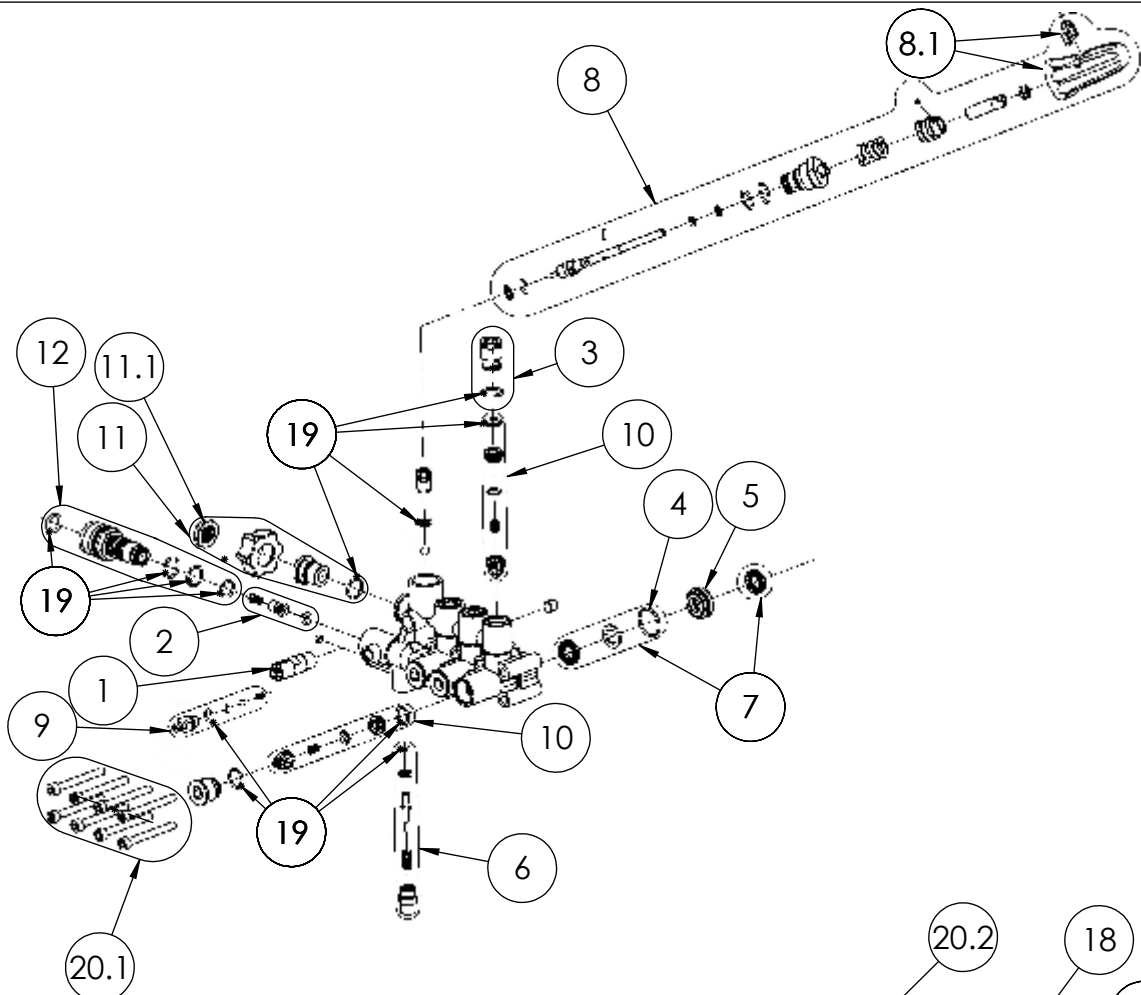
530010



			FNA-GROUP	
			1265 INDUSTRIAL STREET, DECATUR, AR 72722	
			TITLE:	
			C41 SERIES PUMP, 3800PSI @ 3.5GPM HORIZ	
DRAWN	JHS	AUG 2017	SIZE	DWG. NO.
CHECKED	DH/OSW	AUG 2017	A	530010
ENG APPR.	OSW	AUG 2017	SCALE:	N/A
MFG APPR.	-	-	ECN#	DC17-0255
Q.A. APPR.	-	-	SHEET	1 OF 2
SERVICE APPR.	DH	AUG 2017	REV.	NR1
PROPRIETARY AND CONFIDENTIAL				
<small>THE INFORMATION CONTAINED IN THIS DRAWING IS THE SOLE PROPERTY OF FNA-GROUP. ANY REPRODUCTION IN PART OR AS A WHOLE WITHOUT THE WRITTEN PERMISSION OF FNA-GROUP IS PROHIBITED.</small>				
			Version: -	

PUMP KIT, 530010
MANIFOLD PART NO. 7110148

530016 PUMP DRAWING PARTS LIST				
ITEM	PART NO.	DESCRIPTION	QTY	COMMENT
1	7110131	THERMAL RELIEF VALVE	1	TORQUE TO 159 IN-LB 18N-M
2	7110139	CHECK VALVE KIT	1	
3	7110140	VALVE CAP KIT	6	1 KIT REQ'D FOR THIS MODEL TORQUE TO 177 IN-LB 20N-M
4	7110142	SEAL RETAINER KIT	3	
5	7110144	SEAL SPACER KIT	3	
6	7110117	KIT, BOOST VALVE	1	TORQUE TO 159 IN-LB 18N-M
7	7110149	WATER SEAL KIT	3	
8	7110152	UNLOADER KIT	1	
8.1	7109325	UNLOADER CAP KIT	1	
9	7110111	SOAP INJECTOR KIT		TORQUE TO 110 IN-LB 13N-M
10	7110153	VALVE KIT	6	
11	7110330	WATER INLET KIT	1	
11.1	7110138	WATER INLET SCREEN	1	
12	7110331	WATER OUTLET KIT	1	



PUMP KIT, 530010 CRANKCASE
PART NO. 7110147

530016 PUMP DRAWING PARTS LIST				
ITEM	PART NO.	DESCRIPTION	QTY	COMMENT
* 13	7110128	OIL BREATHER KIT	1	
14	7110127	OIL PLUG KIT	1	TORQUE TO 159 IN-LB 18N-M
15	7110141	REAR CRANK COVER KIT	1	
16	7110143	OIL SEAL KIT	1	
17	7110150	CONNECTING ROD/PISTON KIT	1	
18	7110151	SIGHT GLASS KIT	1	

MISC PARTS, 530010

ITEM	PART NO.	DESCRIPTION	QTY	COMMENT
19	7110146	ORING KIT, COMPLETE		
20	7110145	PUMP HARDWARE KIT		
20.1		SCREW, M6*55	3	TORQUE TO 106 IN-LB 12N-M
20.2		SCREW, M6*12	3	TORQUE TO 80 IN-LB 9N-M
20.3		SCREW, M8x30		TORQUE TO 221 IN-LB 25N-M

* NOT SHOWN