

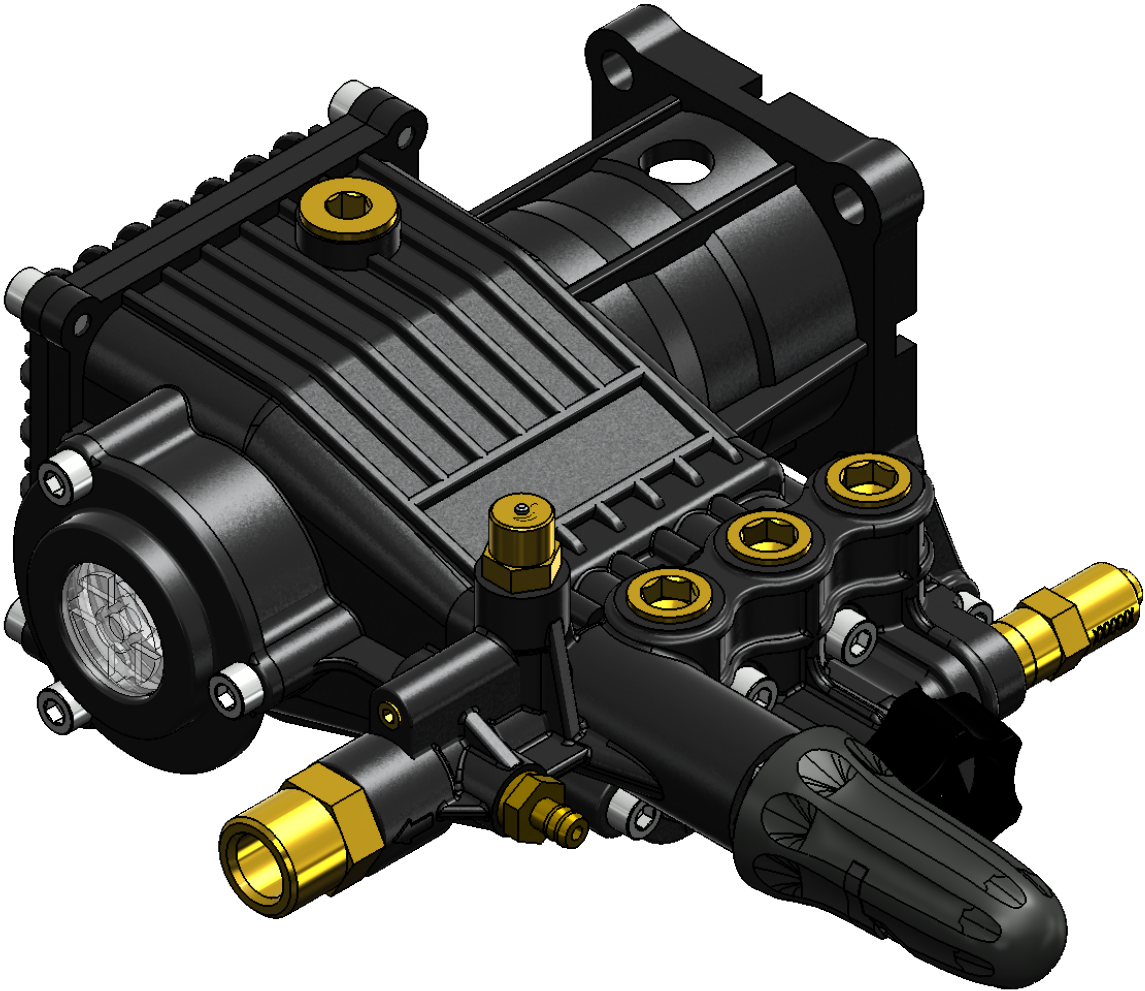
MODEL: 60981-S-IR60981 * REV.

Version:

| ITEM NO. | PART NUMBER | DESCRIPTION | QTY. |
|----------|-------------|--------------------------------------|------|
| 1 | 7109230 | FRAME, BASE ASSY, SILVER W/LABELS | 1 |
| 2 | 7109385 | FOOT SERVICE KIT | 2 |
| 3 | 7111659 | WHEEL MOUNTING KIT | 2 |
| 4 | 7103619 | WHEEL | 2 |
| 5 | 7103750 | ENGINE MOUNTING HARDWARE | 1 |
| 6 | 7112309 | ENGINE SVC ASSY KOHLER SH265 RED | 1 |
| * 7 | 90049 | PUMP SERVICE ASSY KIT | 1 |
| 8 | 530017 | PUMP, CY SERIES, HORIZ TRIPLEX | 1 |
| 9 | 7105474 | HARDWARE KIT, PUMP MOUNTING | 1 |
| 10 | 7101506 | KEY, SHAFT 3/16 X 3/16 X 1-1/2 | 1 |
| 11 | 7109095 | HANDLE, SILVER | 1 |
| 12 | 7107941 | KNOB-BOLT ASSEMBLY | 2 |
| 13 | 7109565 | GUN, M22(M) X M22(F) OEM | 1 |
| 14 | 7103550 | LANCE, 16" W/ 1/4 QC AND M22(M) | 1 |
| 15 | 7109338 | NOZZLE, 5PC SET 0, 15, 25, 40 & SOAP | 1 |
| 16 | 7102045 | TOOL, NOZZLE CLEANING, UNIVERSAL | 1 |
| 17 | 7106622 | HOSE, 5/16" x 25' M22(M) x M22(F) | 1 |
| 18 | 7102037 | KIT, SOAP HOSE & FILTER | 1 |
| 19 | 7112312 | DASHBOARD ASSY | 1 |
| 20 | 7107067 | HOLDER, NOZZLE 2PC RUBBER STRIP | 1 |
| 21 | 7107068 | HOLDER, NOZZLE 3PC RUBBER STRIP | 1 |
| 22 | 7111658 | DASHBOARD MOUNTING KIT | 1 |

* DO NOT USE FOR WARRANTY

AAA CY SERIES TRIPLEX PUMPS



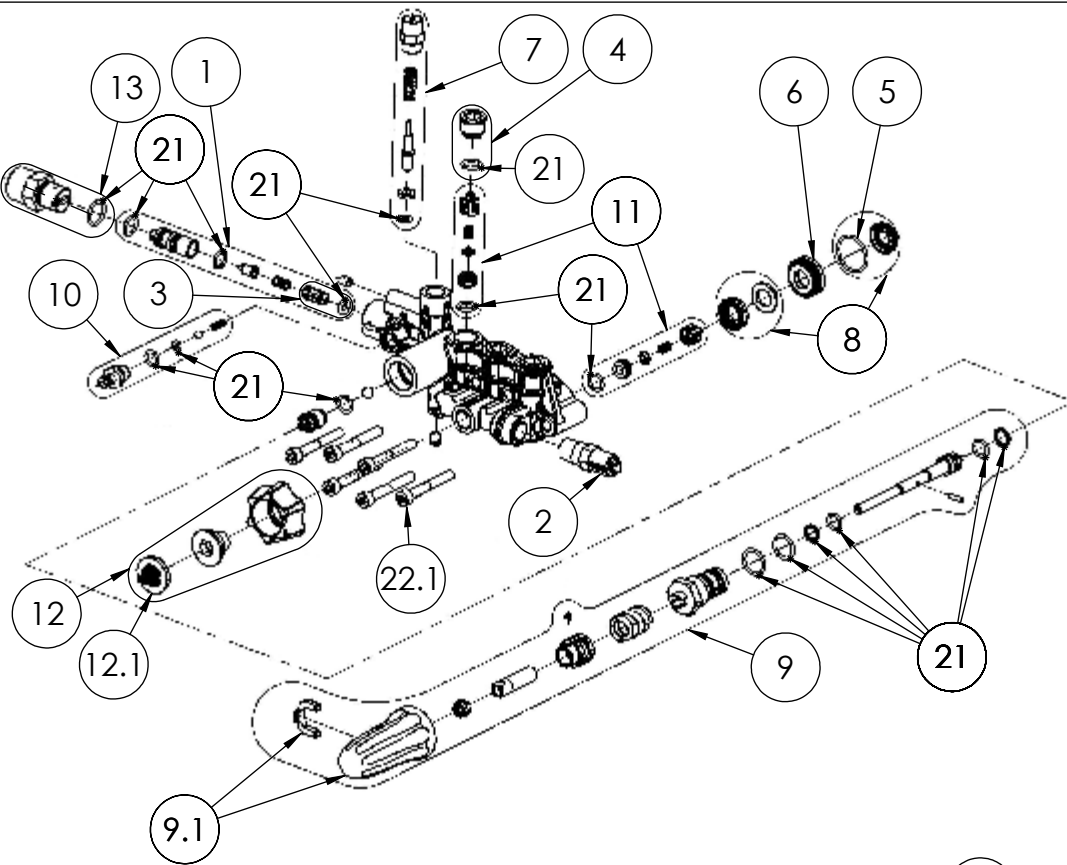
PUMPS COVERED IN THIS IPL

| | |
|--------|-------------------|
| 530015 | 3200psi @ 2.8 gpm |
| 530017 | 3300psi @ 2.5 gpm |

| <table border="1"> <thead> <tr> <th>NAME</th> <th>DATE</th> </tr> </thead> <tbody> <tr> <td>DRAWN JHS</td> <td>AUG 2017</td> </tr> <tr> <td>CHECKED DH/OSW</td> <td>AUG 2017</td> </tr> <tr> <td>ENG APPR. OSW</td> <td>AUG 2017</td> </tr> <tr> <td>MFG APPR. -</td> <td>-</td> </tr> <tr> <td>Q.A. APPR. -</td> <td>-</td> </tr> <tr> <td>SERVICE APPR. DH</td> <td>AUG 2017</td> </tr> </tbody> </table> | | | NAME | DATE | DRAWN JHS | AUG 2017 | CHECKED DH/OSW | AUG 2017 | ENG APPR. OSW | AUG 2017 | MFG APPR. - | - | Q.A. APPR. - | - | SERVICE APPR. DH | AUG 2017 | <p>FNA-GROUP 1265 INDUSTRIAL STREET, DECATUR, AR 72722</p> | |
|---|--------------------------------|---------------|---|------|-----------|----------|----------------|----------|---------------|----------|-------------|---|--------------|---|------------------|----------|---|--|
| NAME | DATE | | | | | | | | | | | | | | | | | |
| DRAWN JHS | AUG 2017 | | | | | | | | | | | | | | | | | |
| CHECKED DH/OSW | AUG 2017 | | | | | | | | | | | | | | | | | |
| ENG APPR. OSW | AUG 2017 | | | | | | | | | | | | | | | | | |
| MFG APPR. - | - | | | | | | | | | | | | | | | | | |
| Q.A. APPR. - | - | | | | | | | | | | | | | | | | | |
| SERVICE APPR. DH | AUG 2017 | | | | | | | | | | | | | | | | | |
| <p>THE INFORMATION CONTAINED IN THIS DRAWING IS THE SOLE PROPERTY OF FNA-GROUP. ANY REPRODUCTION IN PART OR AS A WHOLE WITHOUT THE WRITTEN PERMISSION OF FNA-GROUP IS PROHIBITED.</p> | | | <p>TITLE: PUMP, CY SERIES, HORIZ TRIPLEX, 12x8.2</p> | | | | | | | | | | | | | | | |
| SIZE A | DWG. NO. 530015, 530017 | REV. A | | | | | | | | | | | | | | | | |
| SCALE: N/A | ECN# DC17-0255 | SHEET 1 OF 3 | | | | | | | | | | | | | | | | |

PUMP KIT, 530015
MANIFOLD PART NO. 7110118

| 530015 PUMP DRAWING PARTS LIST | | | | |
|--------------------------------|----------|----------------------|-----|--|
| ITEM | PART NO. | DESCRIPTION | QTY | COMMENT |
| 1 | 7110132 | VENTURI KIT | 1 | |
| 2 | 7101359 | THERMAL RELIEF VALVE | 1 | TORQUE TO 155 IN-LB 18N-M |
| 3 | 7110130 | CHECK VALVE KIT | 1 | |
| 4 | 7110129 | VALVE CAP KIT | 3 | 2 KITS REQ'D FOR THIS MODEL TORQUE TO 155 IN-LB 18N-M |
| 5 | 7110125 | SEAL RETAINER KIT | 3 | |
| 6 | 7110123 | SEAL SPACER KIT | 3 | |
| 7 | 7110117 | KIT, BOOST VALVE | 1 | TORQUE TO 155 IN-LB 18N-M |
| 8 | 7105742 | WATER SEAL KIT 9 | 3 | |
| 9.1 | 7109325 | UNLOADER KIT | 1 | |
| 10 | 7104228 | SOAP INJECTOR KIT | 1 | TORQUE TO 155 IN-LB 18N-M |
| 11 | 7104223 | VALVE KIT | 6 | |
| 12 | 7110329 | WATER INLET KIT | 1 | TORQUE TO 155 IN-LB 18N-M |
| 12.1 | 7000123 | WATER INLET SCREEN | 1 | |
| 13 | 7110265 | SOAP INJECTOR BODY | 1 | TORQUE TO 155 IN-LB 18N-M |

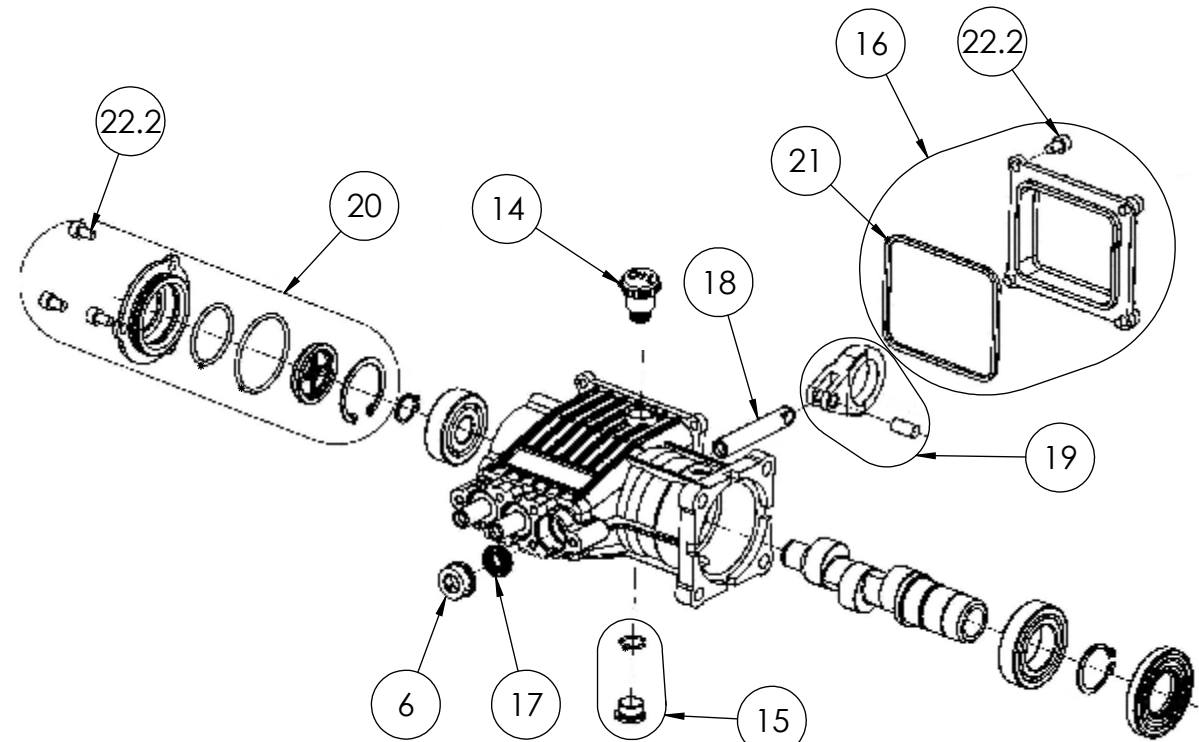


PUMP KIT, 530015 CRANKCASE
PART NO. 7110119

| 530015 PUMP DRAWING PARTS LIST | | | | |
|--------------------------------|----------|----------------------|-----|---------------------------|
| ITEM | PART NO. | DESCRIPTION | QTY | COMMENT |
| 14 | 7110128 | OIL BREATHER KIT | 1 | |
| 15 | 7110127 | OIL PLUG KIT | 1 | TORQUE TO 155 IN-LB 18N-M |
| 16 | 7110126 | REAR CRANK COVER KIT | 1 | |
| 17 | 7110124 | OIL SEAL KIT | 1 | |
| 18 | 7110115 | PISTON KIT | 1 | |
| 19 | 7110114 | CONNECTING ROD KIT | 1 | |
| 20 | 7110113 | SIGHT GLASS KIT | 1 | |

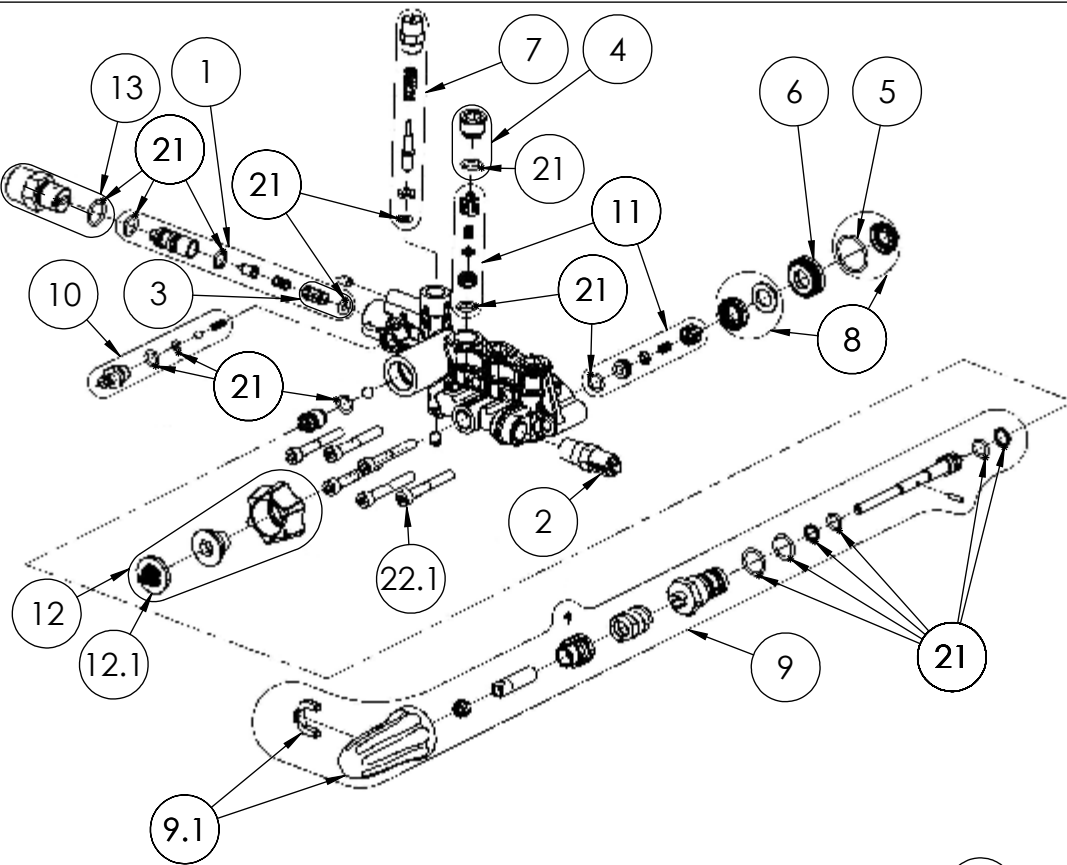
MISC PARTS, 530015

| ITEM | PART NO. | DESCRIPTION | QTY | COMMENT |
|------|----------|---------------------|-----|---------------------------|
| 21 | 7110121 | ORING KIT, COMPLETE | | |
| 22 | 7110122 | PUMP HARDWARE KIT | | |
| 22.1 | | SCREW, M6*45 | 6 | TORQUE TO 100 IN-LB 11N-M |
| 22.2 | | SCREW, M6*10 | 7 | TORQUE TO 80 IN-LB 9N-M |



PUMP KIT, 530017
MANIFOLD PART NO. 7110118

| 530015 PUMP DRAWING PARTS LIST | | | | |
|--------------------------------|----------|----------------------|-----|--|
| ITEM | PART NO. | DESCRIPTION | QTY | COMMENT |
| 1 | 7110132 | VENTURI KIT | 1 | |
| 2 | 7101359 | THERMAL RELIEF VALVE | 1 | TORQUE TO 155 IN-LB 18N-M |
| 3 | 7110130 | CHECK VALVE KIT | 1 | |
| 4 | 7110129 | VALVE CAP KIT | 3 | 2 KITS REQ'D FOR THIS MODEL TORQUE TO 155 IN-LB 18N-M |
| 5 | 7110125 | SEAL RETAINER KIT | 3 | |
| 6 | 7110123 | SEAL SPACER KIT | 3 | |
| 7 | 7110117 | KIT, BOOST VALVE | 1 | TORQUE TO 155 IN-LB 18N-M |
| 8 | 7110116 | WATER SEAL KIT | 3 | |
| 9 | 7110112 | UNLOADER KIT | 1 | |
| 9.1 | 7109325 | UNLOADER CAP KIT | 1 | |
| 10 | 7104228 | SOAP INJECTOR KIT | 1 | TORQUE TO 155 IN-LB 18N-M |
| 11 | 7104223 | VALVE KIT | 6 | |
| 12 | 7110329 | WATER INLET KIT | 1 | TORQUE TO 155 IN-LB 18N-M |
| 12.1 | 7000123 | WATER INLET SCREEN | 1 | |
| 13 | 7110265 | SOAP INJECTOR BODY | 1 | TORQUE TO 155 IN-LB 18N-M |



PUMP KIT, 530017 CRANKCASE
PART NO. 7110120

| 530015 PUMP DRAWING PARTS LIST | | | | |
|--------------------------------|----------|----------------------|-----|---------------------------|
| ITEM | PART NO. | DESCRIPTION | QTY | COMMENT |
| 14 | 7110128 | OIL BREATHER KIT | 1 | |
| 15 | 7110127 | OIL PLUG KIT | 1 | TORQUE TO 155 IN-LB 18N-M |
| 16 | 7110126 | REAR CRANK COVER KIT | 1 | |
| 17 | 7110124 | OIL SEAL KIT | 1 | |
| 18 | 7110115 | PISTON KIT | 1 | |
| 19 | 7110114 | CONNECTING ROD KIT | 1 | |
| 20 | 7110113 | SIGHT GLASS KIT | 1 | |

MISC PARTS, 530017

| ITEM | PART NO. | DESCRIPTION | QTY | COMMENT |
|------|----------|---------------------|-----|---------------------------|
| 21 | 7110121 | ORING KIT, COMPLETE | | |
| 22 | 7110122 | PUMP HARDWARE KIT | | |
| 22.1 | | SCREW, M6*45 | 6 | TORQUE TO 100 IN-LB 11N-M |
| 22.2 | | SCREW, M6*10 | 7 | TORQUE TO 80 IN-LB 9N-M |

