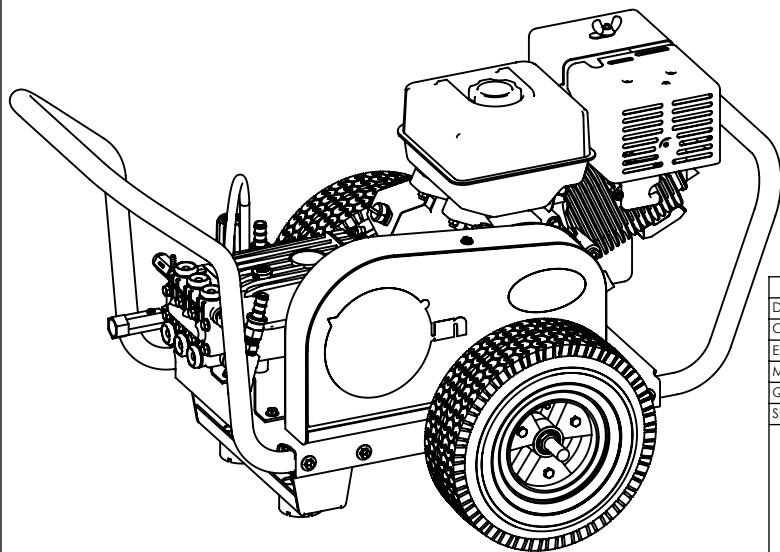


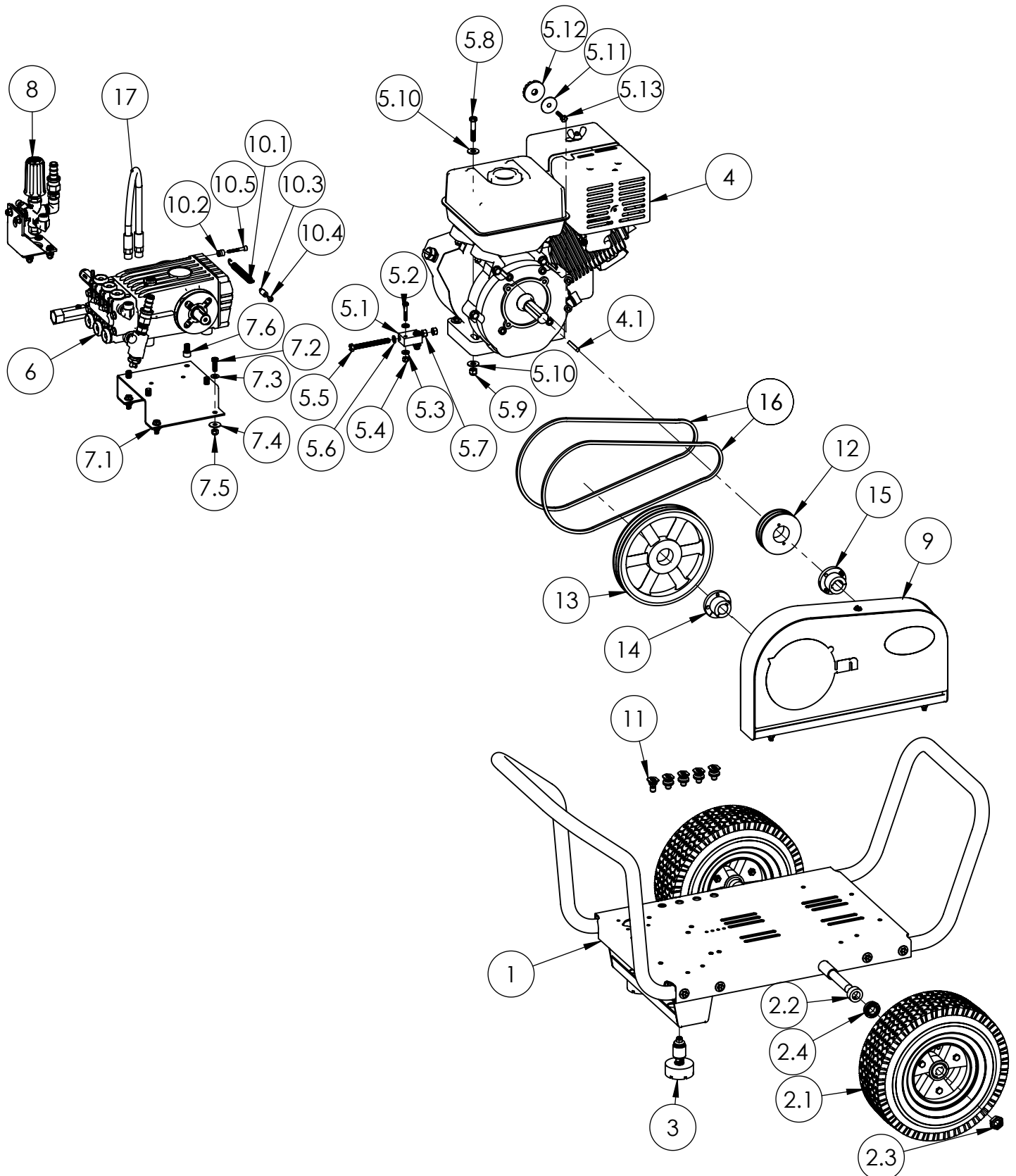
ITEM	PART NO.	DESCRIPTION	QTY
1	7107021	WS3500 FRAME, SVC ASSY	1
1.1	7103771	FRAME, WS3500	1
1.2	7105247	SUB-FRAME, WS3500	1
1.3	7105253	HANDLE, REAR WATER SHOT	1
1.4	7105248	HANDLE, FRONT WATER SHOT	1
1.5	7104734	BRACKET, FOOT WS SERIES	1
1.6	7104854	INSERT, HANDLE	8
† 1.7		BOLT, 5/16"-18 x 2 1/2"	4
† 1.8		WASHER, 5/16"	16
† 1.9		NUT, 5/16"-18 NYLOCK	8
† 1.10		BOLT, 5/16"-18 x 2 1/4"	4
2	7106950	WHEEL KIT, WS SERIES	1
2.1	7101405	WHEEL, LARGE MAG	2
2.2	7104152	COLLAR, LOCK	2
2.3	7100715	3/4"-16 NYLON INSERT LOCK NUT	2
2.4	7100069	BALL BEARING, 3/4"	2
3	7106951	FOOT KIT, WS SERIES SPRING	2
3.1	7101156	SHOE SLEEVE	1
3.2	7101125	RUBBER FOOT	1
3.3	7101157	SPRING SLEEVE	1
3.4	7101169	SPRING, WS SERIES FOOT	1
3.5	7101524	HOUSING, FOOT SPRING	1
3.6	7100389	GROMMET, 7/16" RUBBER	1
3.7		NUT, 5/16"-18 NYLOCK	1
3.8		WASHER, 5/16" FENDER	1
3.9		BOLT, 5/16"-18 x 3"	1
4	100285	ENGINE, HONDA GX390	1
4.1	7100522	KEY, 5HP ELECTRIC & LG GAS 1/4" x 1 3/4"	1
5	7106952	MOUNTING KIT, WS5040 ENGINE	1
5.1	7100101	ENGINE ADJUSTING BLOCK	1
† 5.2		BOLT, 1/4"-28 x 1 1/2"	2
† 5.3		WASHER, 1/4" FLAT	4
† 5.4		NUT, LOCK 1/4"-28 NYLOCK	2
† 5.5		BOLT, 3/8"-16 x 3 1/2"	1
† 5.6		WASHER .38 x .63 x .06	1
† 5.7		NUT, 3/8-16	2
† 5.8		BOLT, 3/8"-24 x 2"	4
† 5.9		NUT, 3/8"-24 NYLOCK	4
† 5.10		WASHER 3/8 x 1.00 OD	8
† 5.11		WASHER, 5/16" FENDER	1
† 5.12		WASHER, RUBBER BUMPER	1
† 5.13		BOLT, 5/16"-24 x 1 1/4"	1
6	7107022	GP PUMP, SVC ASSY WS3500	1
6.1	7101029	TS1811 GENERAL PUMP	1
6.2	7200103	ELBOW, 1/2" 90° ST.	1
6.3	7101999	3/4" GARDEN HOSE INLET	1
6.4	7100814	PLUG, 1/4" HEX-HEAD	1
6.5	7101340	RELIEF VALVE, 3/8" NPTM @ 4000PSI	1
6.6	7100287	ELBOW, 3/8" NPTM x 3/8" NPTF	1
6.7	7101331	RELIEF VALVE, 1/2" NPTM THERMAL	1
6.8	7100603	NIPPLE, 1/4" x 2 1/2"	1
6.9	7101263	TEE, 1/2" NPTF	1
6.10	7102405	ADAPTER 1/2" NPTM x 5/8"-45° FLARED	1
6.11	7104717	FITTING, 5/8" HB X 5/8" NPFT	1
6.12	7101037	PUMP BUMPER	1

ITEM	PART NO.	DESCRIPTION	QTY
7	7106955	MOUNTING KIT, WS5040 PUMP	1
7.1	7104730	BRACKET, LARGE PUMP MOUNTING	1
† 7.2		BOLT, 5/16"-18 x 1"	4
† 7.3		WASHER, FLAT 5/16"	4
† 7.4		WASHER, FENDER	4
† 7.5		NUT, 5/16"-18 NYLOCK	4
† 7.6		BOLT, M10-1.5 x 18MM	4
8	7107023	UNLOADER, SVC ASSY WS3500	1
8.1	7105891	UNLOADER, PULSAR4KHPEZ	1
8.2	7101079	COUPLER, 3/8" QC-M x 3/8" NPTM	1
8.3	7100287	ELBOW, 3/8" NPTM x 3/8" NPTF	2
8.4	7200032	ADAPTOR 5/8" FLARE x 3/8" M	1
8.5	7104717	FITTING, 5/8" HB X 5/8" NPFT	1
8.6	7101604	REDUCER, 3/8" NPTM x 1/4" NPTF	1
8.7	7100157	BRACKET, UNLOADER VALVE	1
8.8	7100160	BRACKET, UNLOADER	1
† 8.9		BOLT, 5/16"-18 x 3/4"	2
† 8.10		WASHER, FLAT 5/16"	4
† 8.11		NUT, 5/16"-18 NYLOCK	2
† 8.12		BOLT, 1/4"-20 x 1"	4
† 8.13		WASHER, 1/4" FLAT	8
† 8.14		NUT, 1/4"-20 NYLOCK	4
9	7107024	BELT-GUARD, SVC ASSY WS3500	1
9.1	7106050	BELT GUARD, 19" BACK PLATE	1
9.2	7100083	BELT-GUARD, WS3500 FRONT	1
9.3	7104617	BRACKET (B BLACK)	1
9.4	7100389	GROMMET, 7/16" RUBBER	2
† 9.5		BOLT, 5/16" - 18 x 1 1/4"	2
† 9.6		WASHER, 5/16"	4
† 9.7		NUT, 5/16"-18 NYLOCK	2
† 9.8		NUT, CLINCH, 1/4"-20	1
† 9.9		RIVET, AN430-A4-6 ALUMINUM	3
† 9.10		BOLT, 1/4"-20 x 1"	1
† 9.11		WASHER, 1/4" FLAT	1
10	7106959	TENSIONER KIT, WS5040 PUMP SPRING	1
10.1	7101170	SPRING, BELT GUARD TENSIONER	1
10.2	7104877	SPACER, SPRING LOCATOR	1
10.3	7100719	NUT SPRING EYE	1
† 10.4		SCREW, 10-32 X .50 PAN HEAD PHILLIPS	1
† 10.5		BOLT, M6 x 1 x 40MM	1
11	7107025	NOZZLE KIT, 5PC WS3500	1
11.1	7100389	GROMMET, 7/16" RUBBER	4
11.2	7101683	NOZZLE SET, 4.0 5PC 1/4" QC-M	1
12	7101001	PULLEY 2 3V3-90 X H	1
13	7103639	PULLEY 23V925H	1
14	7100174	BUSHING, H x 24MM	1
15	7100173	BUSHING, H x 1	1
16	7100091	BELT, 3V x 425	2
17	7103245	HOSE, 3/8" x 20" SWVL	1
18	7100393	SPRAY GUN 5000PSI @ 10GPM	1
19.1	7100551	LANCE, 48" INSULATED	1
19.2	7100021	COUPLER, 1/4" QC-F x 1/4" NPTF	1
* 19.3	7100018	SOCKET, O-RING SEAL	1
20	7100477	HOSE, 3/8" x 50' x 5000PSI RUBBER	1
21	7103709	KIT, CHEMICAL INJECTOR	1
* 22	7106053	MANUAL, WATER SHOTGUN SERIES	1
* 23	7103759	BOX, 48 1/4" x 28 3/8" x 26 3/4"	1

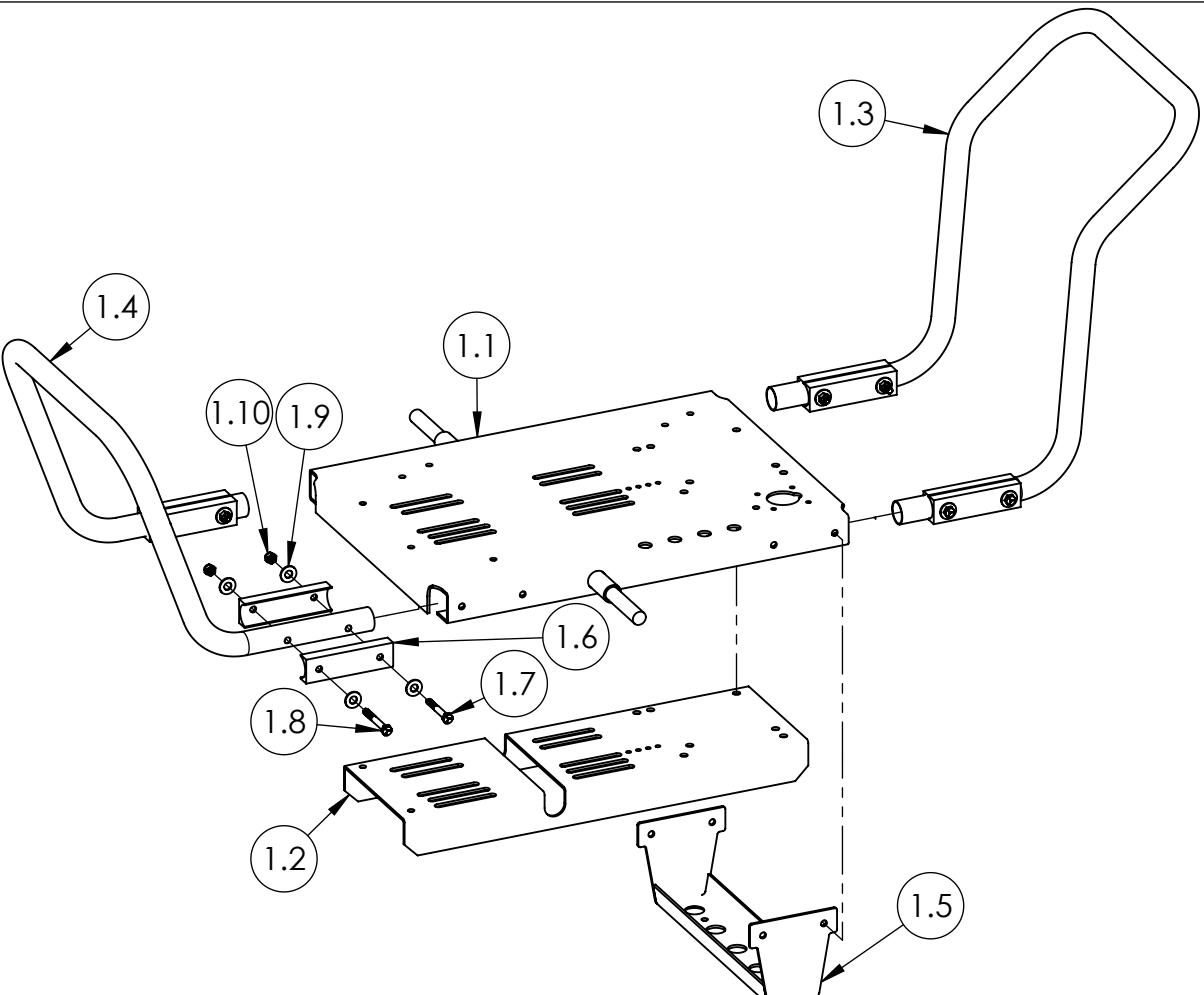
* NOT SHOWN
† NOT SOLD SEPERATELY



NAME			DATE			FNA-GROUP		
DRAWN	TV	6/24/2013	1265 INDUSTRIAL STREET, DECATUR, AR 72722					
CHECKED	MG	7/29/2013	TITLE:					
ENG APPR.	SW	7/29/2013	WS 3500, WATER SHOTGUN					
MFG APPR.	-	-	SIZE					
Q.A. APPR.	JP	7/29/2013	A					
SERVICE APPR.	DH	7/29/2013	DWG. NO.					
PROPRIETARY AND CONFIDENTIAL			60248-S & 60679-S					
THE INFORMATION CONTAINED IN THIS DRAWING IS THE SOLE PROPERTY OF FNA-GROUP. ANY REPRODUCTION IN PART OR AS A WHOLE WITHOUT THE WRITTEN PERMISSION OF FNA-GROUP IS PROHIBITED.			SCALE: 1:1			REV. A		
			ECN# DC13-0164			SHEET 1 OF 7		

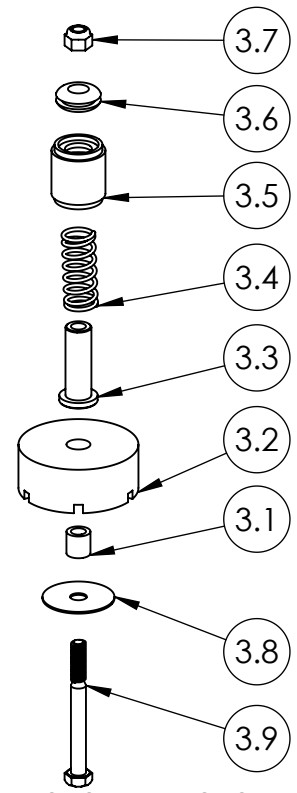


SIZE	DWG. NO.	REV.
A	60248-S & 60679-S	A
SCALE: 1:12	ECN# DC13-0164	SHEET 2 OF 7



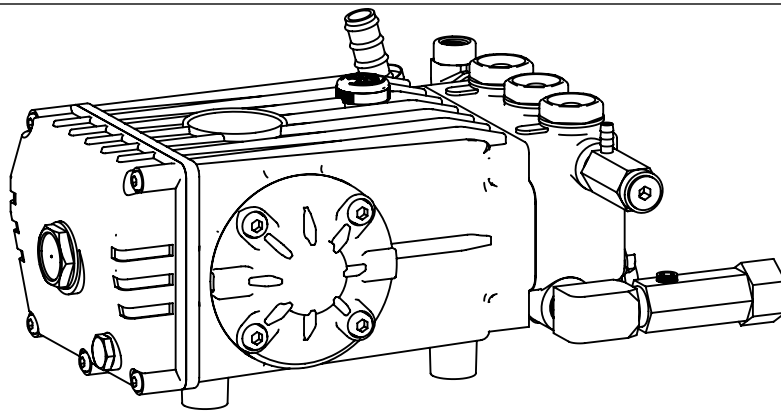
FRAME, SVC ASSY WS3500
PART NO. 7107021

ITEM	PART NO.	DESCRIPTION	QTY
1.1	7103771	FRAME, WS3500	1
1.2	7105247	SUB-FRAME, WS3500	1
1.3	7105253	HANDLE, REAR WATER SHOT	1
1.4	7105248	HANDLE, FRONT WATER SHOT	1
1.5	7104734	BRACKET, FOOT WS SERIES	1
1.6	7104854	INSERT, HANDLE	8
1.7		BOLT, 5/16"-18 x 2 1/4"	4
1.8		BOLT, 5/16"-18 x 2 1/2"	4
1.9		WASHER, 5/16"	16
1.10		NUT, 5/16"-18 NYLOCK	8

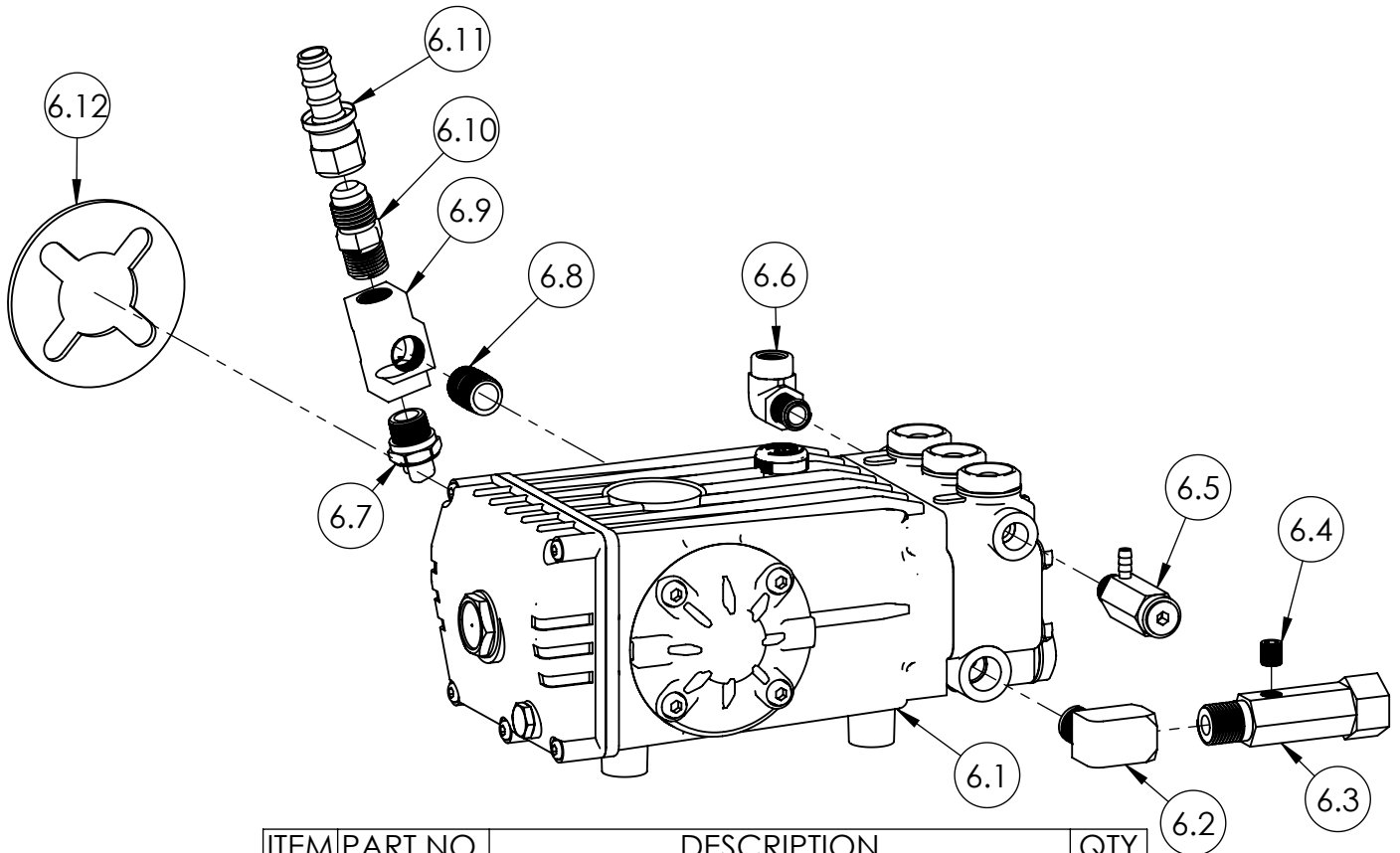


FOOT KIT, WS SERIES SPRING
PART NO. 7106951

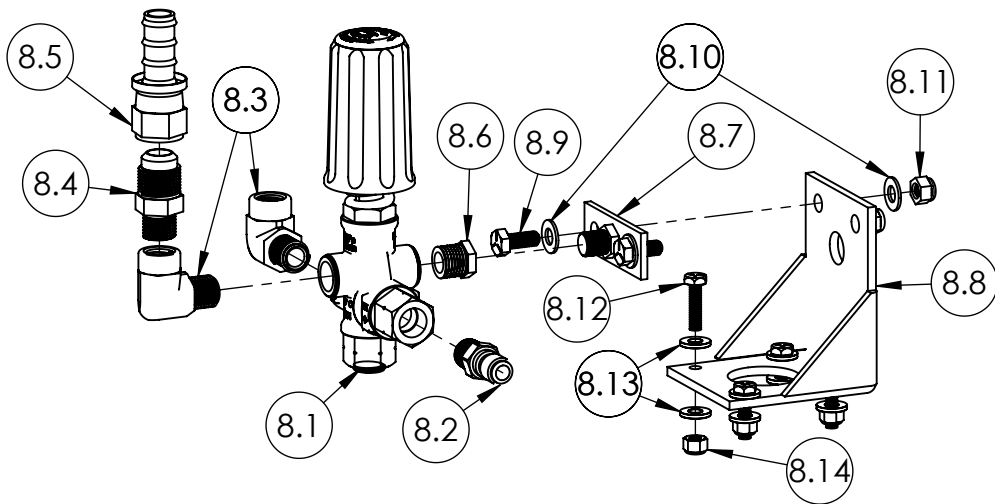
ITEM	PART NO.	DESCRIPTION	QTY
3.1	7101156	SHOE SLEEVE	1
3.2	7101125	RUBBER FOOT	1
3.3	7101157	SPRING SLEEVE	1
3.4	7101169	SPRING, WS SERIES FOOT	1
3.5	7101524	HOUSING, FOOT SPRING	1
3.6	7100389	GROMMET, 7/16" RUBBER	1
3.7		NUT, 5/16"-18 NYLOCK	1
3.8		WASHER, 5/16" FENDER	1
3.9		BOLT, 5/16"-18 x 3"	1



GP PUMP, SVC ASSY WS3500
PART NO. 7107022

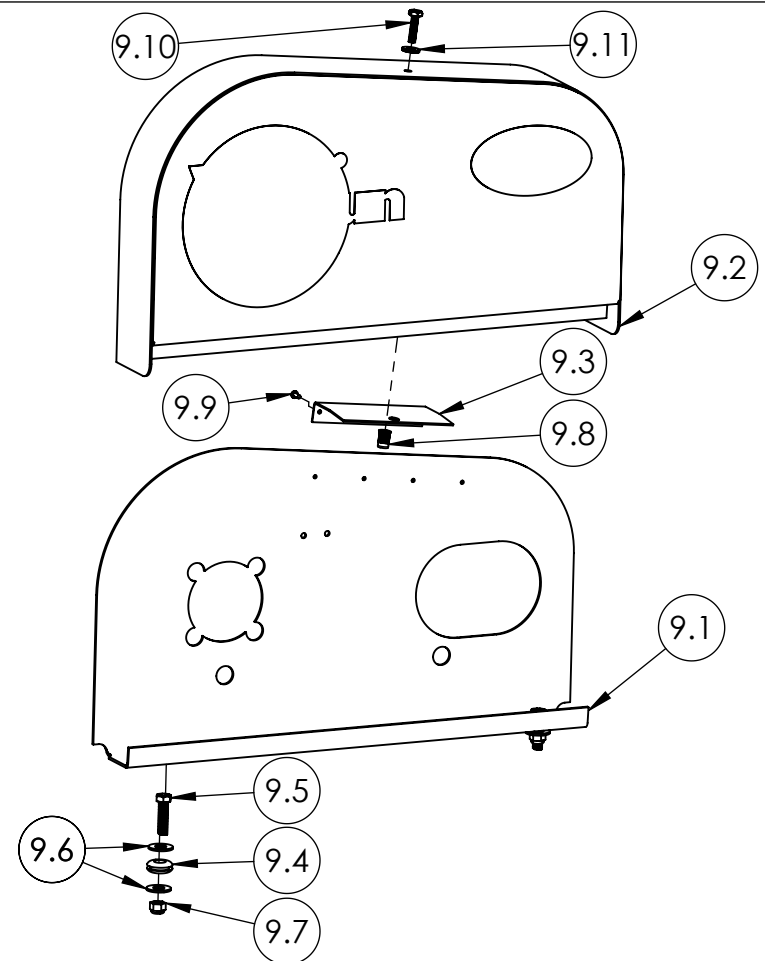


ITEM	PART NO.	DESCRIPTION	QTY
6.1	7101029	TS1811 GENERAL PUMP	1
6.2	7200103	ELBOW, 1/2" 90° ST.	1
6.3	7101999	3/4" GARDEN HOSE INLET	1
6.4	7100814	PLUG, 1/4" HEX-HEAD	1
6.5	7101340	RELIEF VALVE, 3/8" NPTM @ 4000PSI	1
6.6	7100287	ELBOW, 3/8" NPTM x 3/8" NPTF	1
6.7	7101331	RELIEF VALVE, 1/2" NPTM THERMAL	1
6.8	7100603	NIPPLE, 1/4" x 2 1/2"	1
6.9	7101263	TEE, 1/2" NPTF	1
6.10	7102405	ADAPTER 1/2" NPTM x 5/8"-45° FLARED	1
6.11	7104717	FITTING, 5/8" HB X 5/8" NPFT	1
6.12	7101037	PUMP BUMPER	1



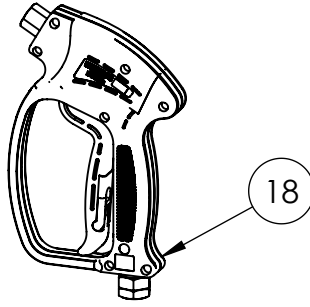
UNLOADER, SVC ASSY WS3500
PART NO. 7107023

ITEM	PART NO.	DESCRIPTION	QTY
8.1	7105891	UNLOADER, PULSAR4KHPEZ	1
8.2	7101079	COUPLER, 3/8" QC-M x 3/8" NPTM	1
8.3	7100287	ELBOW, 3/8" NPTM x 3/8" NPTF	2
8.4	7200032	ADAPTOR 5/8" FLARE x 3/8" M	1
8.5	7104717	FITTING, 5/8" HB X 5/8" NPFT	1
8.6	7101604	REDUCER, 3/8" NPTM x 1/4" NPTF	1
8.7	7100157	BRACKET, UNLOADER VALVE	1
8.8	7100160	BRACKET, UNLOADER	1
8.9		BOLT, 5/16"-18 x 3/4"	2
8.10		WASHER, FLAT 5/16"	4
8.11		NUT, 5/16"-18 NYLOCK	2
8.12		BOLT, 1/4"-20 x 1"	4
8.13		WASHER, 1/4" FLAT	8
8.14		NUT, 1/4"-20 NYLOCK	4

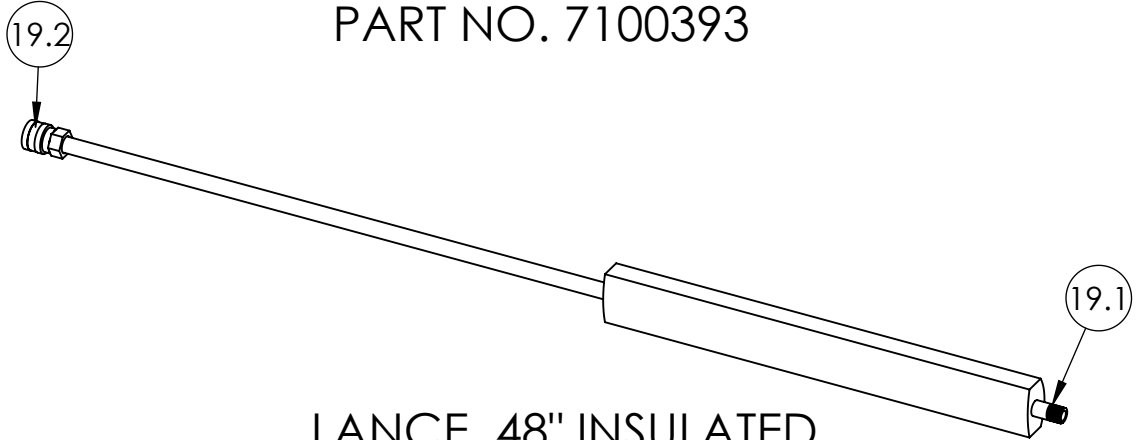


BELT-GUARD, SVC ASSY WS3500
PART NO. 7107024

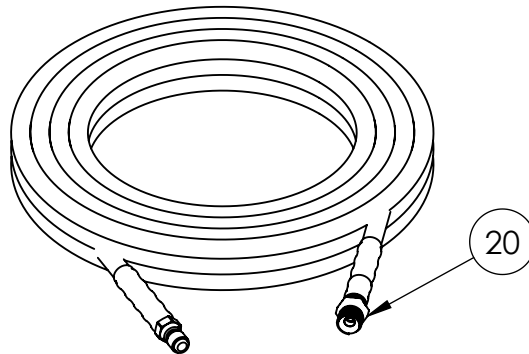
ITEM	PART NO.	DESCRIPTION	QTY
9.1	7106050	BELT GUARD, 19" BACK PLATE	1
9.2	7100083	BELT-GUARD, WS3500 FRONT	1
9.3	7104617	BRACKET (B BLACK)	1
9.4	7100389	GROMMET, 7/16" RUBBER	2
9.5		BOLT, 5/16" - 18 x 1 1/4"	2
9.6		WASHER, 5/16"	4
9.7		NUT, 5/16"-18 NYLOCK	2
9.8		NUT, CLINCH, 1/4"-20	1
9.9		RIVET, AN430-A4-6 ALUMINUM	3
9.10		BOLT, 1/4"-20 x 1"	1
9.11		WASHER, 1/4" FLAT	1



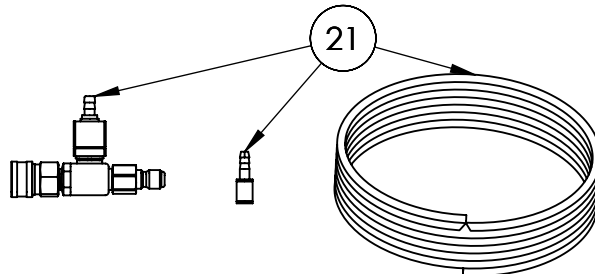
SPRAY GUN 5000PSI @ 10GPM
PART NO. 7100393



LANCE, 48" INSULATED
PART NO. 7100551



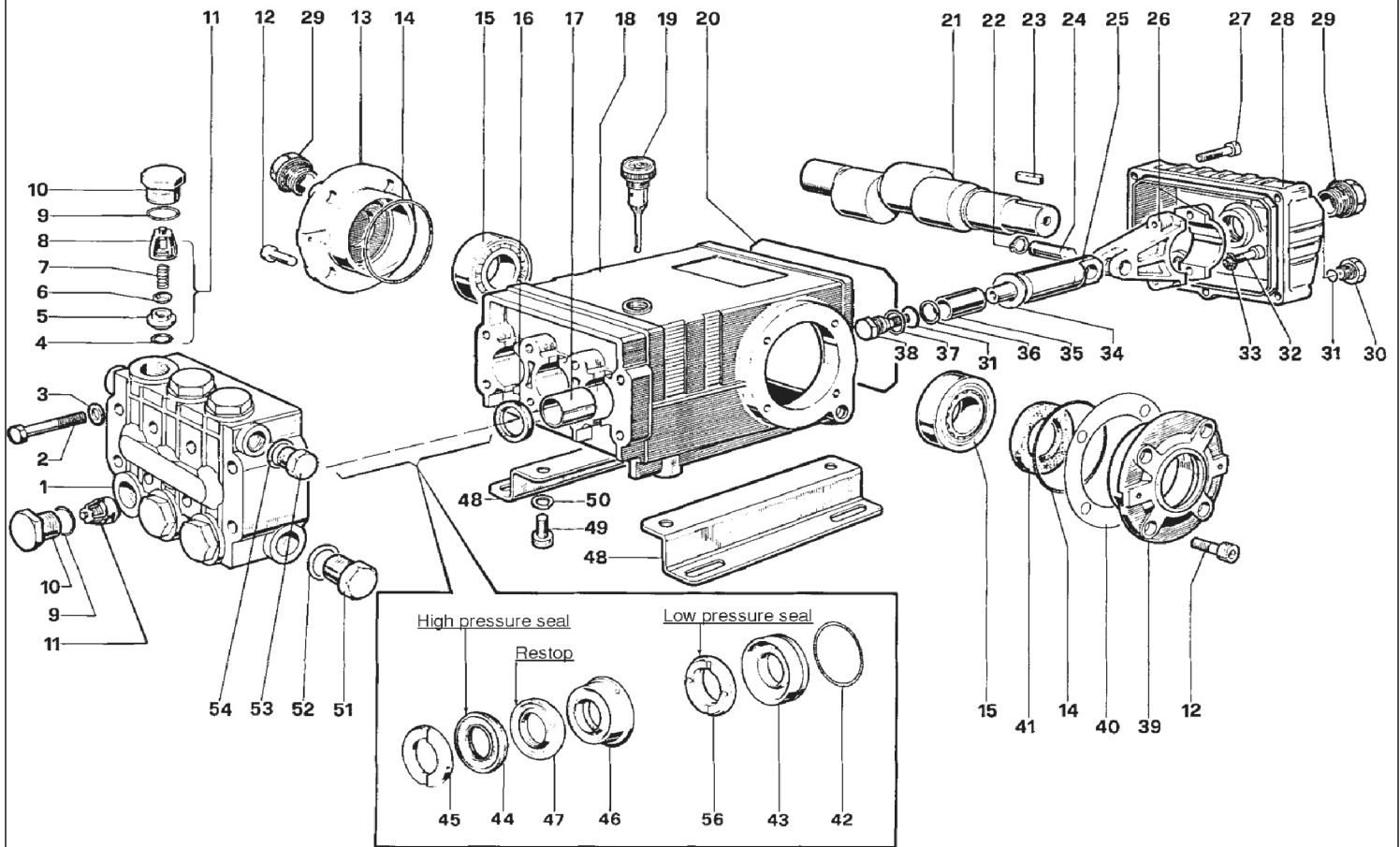
HOSE, 3/8" x 50' x 5000PSI RUBBER
PART NO. 7100477



KIT, CHEMICAL INJECTOR
PART NO. 7103709

SIZE	DWG. NO.	REV.
A	60248-S & 60679-S	A
SCALE: 1:6	ECN# DC13-0164	SHEET 6 OF 7

FNA PART NO. 7101029



PARTS LIST

ITEM	PART NO.	DESCRIPTION	KIT NO.	QTY.
1	7102289	HEAD, PUMP		1
2	7106376	SCREW, M8		8
3	7102570	WASHER		8
4	7102358	O-RING		6
5	N/A	SEAT, VALVE	1	6
6	N/A	PLATE, VALVE	1	6
7	N/A	SPRING	1	6
8	N/A	GUIDE, VALVE	1	6
9	N/A	O-RING	4	6
10	N/A	CAP	4	6
11	N/A	VALVE ASSEMBLY	1	6
12	N/A	SCREW, M8	1	8
13	7106401	COVER, CRANKCASE		1
14	7103613	O-RING		2
15	7106402	BEARING, ROLLER		2
16	N/A	SEAL, OIL	2	3
17	7106380	BUSHING		3
18	7106403	CRANKCASE		1
19	7106381	OIL DIP STICK		1
20	7103219	COVER, O-RING		1
21	7102723	CRANKSHAFT		1
22	7106383	RING, SNAP		6
23	7106384	KEY		1
24	7103128	PIN, WRIST		3
25	7103129	GUIDE, PISTON		3

ITEM	PART NO.	DESCRIPTION	KIT NO.	QTY.
26	7104355	ROD, CONNECTING		3
27	7103463	SCREW, M6		5
28	7103178	COVER, CRANKCASE		1
29	7100933	OIL INDICATOR		2
30	7103447	CAP		1
31	N/A	O-RING	6	4
32	7106385	SCREW, M8		6
33	7103436	WASHER		6
34	N/A	WASHER	6	3
35	7100806	PISTON		3
36	N/A	RING, BACK-UP	6	3
37	N/A	WASHER	6	3
38	N/A	SCREW, PISTON	6	3
39	7103132	COVER, CRANKCASE		1
40	7106386	SHIM		2
41	N/A	SEAL, OIL	3	1
42	N/A	O-RING	10, 28	3
43	N/A	RETAINER, PACKING	10, 28	3
44	N/A	PACKING	28, 69	3
45	N/A	RING, HEAD, M20	7, 28	3
46	N/A	INTERMED. RING	28, 71	3
47	N/A	RESTOP RING	28, 69, 71	3
48	7106387	PUMP FEET		2
49	7105834	SCREW, M10		4
50	7103226	WASHER		4

ITEM	PART NO.	DESCRIPTION	KIT NO.	QTY.
51	7103223	CAP		1
52	7101847	WASHER		1
53	7103167	CAP		1
54	7101848	WASHER		1
56	7103221	SEAL, LOW PRESS.		3



GENERAL PUMP

T SERIES
47S-20MM x
14 MM

REPAIR KITS

KIT NO.	1	2	3	4	6	7	10	28	69	71
ITEM NO'S INCLUDED IN KIT	4, 5, 6, 7, 8 (11)	16	41	9, 10	31, 34, 36, 37, 38	45	42, 43	42, 43, 44, 45, 46, 47, 56	44, 47, 56	46, 47
NUMBER OF ASSEMBLIES IN KIT	6	3	2	6	3	6	3	1	3	3
NUMBER OF CYLINDERS KIT WILL SERVICE	3	3	-	3	3	3	3	1	3	3

ECN # DC12-0210

REV. A

FNA GROUP

SIZE	DWG. NO.	REV.
A	60248-S & 60679-S	A
SCALE: N/A	ECN# DC13-0164	SHEET 7 OF 7