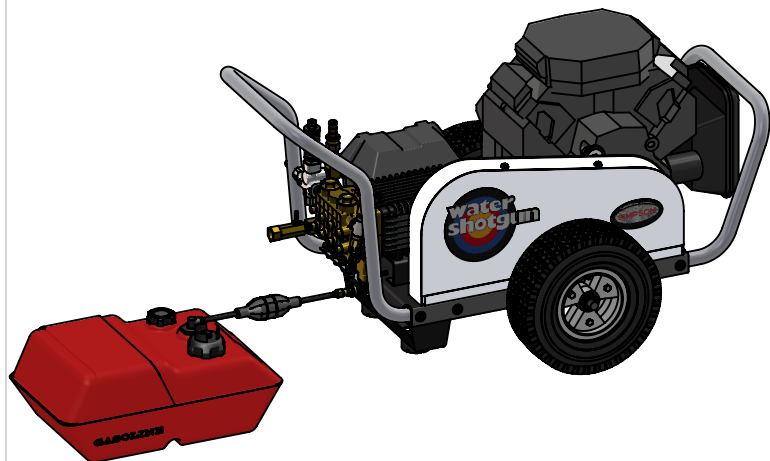


| ITEM | PART NO. | DESCRIPTION | QTY |
|------|----------|--|-----|
| 1 | 7106949 | FRAME, WS SERIES SVC ASSY | 1 |
| 1.1 | 7104732 | FRAME, BASE WS5040 | 1 |
| 1.2 | 7104733 | SUB-FRAME, BASE WATER SHOT LARGE | 1 |
| 1.3 | 7105253 | HANDLE, REAR WATER SHOT | 1 |
| 1.4 | 7105248 | HANDLE, FRONT WATER SHOT | 1 |
| 1.5 | 7104854 | INSERT, HANDLE | 8 |
| 1.6 | 7104734 | BRACKET, FOOT WS SERIES | 1 |
| 1.7 | 7104856 | NOZZLE HOLDER 4PC | 1 |
| 1.8 | 7106041 | BATTERY TRAY, WS5040 | 1 |
| † | 1.9 | WASHER, RUBBER BUMPER | 2 |
| † | 1.10 | BOLT, 5/16"-18 x 2 1/4" | 4 |
| † | 1.11 | BOLT, 5/16"-18 x 2 1/2" | 4 |
| † | 1.12 | WASHER, 5/16" | 16 |
| † | 1.13 | WASHER, FLAT 5/16" | 4 |
| † | 1.14 | NUT, 5/16"-18 NYLOCK | 12 |
| † | 1.15 | BOLT, 5/16"-18 x 1" | 4 |
| † | 1.16 | SPACER, BACK 3/4" OD | 2 |
| 2 | 7106950 | WHEEL KIT, WS SERIES | 1 |
| 2.1 | 7101405 | WHEEL, LARGE MAG | 2 |
| 2.2 | 7104152 | COLLAR, LOCK | 2 |
| 2.3 | 7100715 | 3/4"-16 NYLON INSERT LOCK NUT | 2 |
| 2.4 | 7100069 | BALL BEARING, 3/4" | 2 |
| 3 | 7106951 | FOOT KIT, WS SERIES SPRING | 2 |
| 3.1 | 7101156 | SHOE SLEEVE | 1 |
| 3.2 | 7101125 | RUBBER FOOT | 1 |
| 3.3 | 7101157 | SPRING SLEEVE | 1 |
| 3.4 | 7101169 | SPRING, WS SERIES FOOT | 1 |
| 3.5 | 7101524 | HOUSING, FOOT SPRING | 1 |
| 3.6 | 7100389 | GROMMET, 7/16" RUBBER | 1 |
| † | 3.7 | NUT, 5/16"-18 NYLOCK | 1 |
| † | 3.8 | BOLT, 5/16"-18 x 3" | 1 |
| † | 3.9 | WASHER, 5/16" FENDER | 1 |
| 4 | 7106960 | GAS TANK, WS5040 SVC ASSY | 1 |
| 4.1 | 7200138 | GAS TANK, REMOTE 6.5 GAL | 1 |
| 4.2 | 7100423 | 1/4" HOSE BARB x 1/4" NPTM | 1 |
| 4.3 | 7200121 | BULB, PRIMER | 1 |
| 4.4 | 7100430 | 1/4" HB x 1/8" NPTM | 1 |
| 4.5 | 7101163 | DBL SHUTOFF SOCKET, 1/8" NPTF x 1/4" QC-F | 1 |
| 5 | 100282 | HONDA ENGINE, 20HP GX630 | 1 |
| 5.1 | 7100522 | KEY, 5HP ELECTRIC & LG GAS 1/4" x 1 3/4" | 1 |
| 5.2 | 7104772 | RECTIFIER, HONDA GX690 | 1 |
| 5.3 | 7102382 | MUFFLER KIT, HONDA GX690 | 1 |
| 6 | 7106952 | MOUNTING KIT, WS5040 ENGINE | 1 |
| † | 6.1 | ENGINE ADJUSTING BLOCK | 1 |
| † | 6.2 | BOLT, 1/4"-28 x 1 1/2" | 2 |
| † | 6.3 | WASHER, 1/4" FLAT | 4 |
| † | 6.4 | NUT, LOCK 1/4"-28 NYLOCK | 2 |
| † | 6.5 | BOLT, 3/8"-16 x 3 1/2" | 1 |
| † | 6.6 | WASHER, .38 x .63 x .06 | 1 |
| † | 6.7 | NUT, 3/8-16 | 2 |
| † | 6.8 | BOLT, 3/8"-24 x 2" | 4 |
| † | 6.9 | NUT, 3/8"-24 NYLOCK | 4 |
| † | 6.10 | WASHER 3/8 x 1.00 OD | 8 |
| † | 6.11 | WASHER, 5/16" FENDER | 1 |
| † | 6.12 | WASHER, RUBBER BUMPER | 1 |
| † | 6.13 | BOLT, 5/16"-24 x 1 1/4" | 1 |
| < | 7A | 7106953 GP PUMP, WS5040 SVC ASSY | 1 |
| > | 7B | 7106954 COMET PUMP, WS5040 SVC ASSY | 1 |
| < | 7.1-A | 7101033 GP PUMP, TSP1819 | 1 |
| > | 7.1-B | 7105798 COMET PUMP, TW5050S 5000PSI @ 5.2GPM | 1 |
| † | 7.2 | 7100604 NIPPLE, 1/2" x 3/8" M REDUCED HEX | 1 |
| † | 7.3 | 7200103 ELBOW, 1/2" 90° ST. | 1 |
| † | 7.4 | 7101999 3/4" GARDEN HOSE INLET | 1 |
| † | 7.5 | 7100423 1/4" HOSE BARB x 1/4" NPTM | 1 |
| † | 7.6 | 7102578 VALVE, PRESSURE RELIEF | 1 |
| † | 7.7 | 7101264 TEE, 3/8" STREET | 1 |
| † | 7.8 | 7106576 EZ START VALVE, 3/8" NPTM x 1/8" HB | 1 |
| † | 7.9 | 7102405 ADAPTER 1/2" NPTM x 5/8"-45° FLARED | 1 |
| † | 7.10 | 7101263 TEE, 1/2" NPTF | 1 |
| † | 7.11 | 7100603 NIPPLE, 1/4" x 2 1/2" | 1 |
| † | 7.12 | 7104717 FITTING, 5/8" HB X 5/8" NPFT | 1 |
| † | 7.13 | 7101331 RELIEF VALVE, 1/2" NPTM THERMAL | 1 |
| † | 7.14 | 7101037 PUMP BUMPER | 1 |

| ITEM | PART NO. | DESCRIPTION | QTY |
|--------|----------|---|-----|
| 8 | 7106955 | MOUNTING KIT, WS5040 PUMP | 1 |
| 8.1 | 7104730 | BRACKET, LARGE PUMP MOUNTING | 1 |
| † | 8.2 | BOLT, 5/16"-18 x 1" | 4 |
| † | 8.3 | WASHER, FLAT 5/16" | 4 |
| † | 8.4 | WASHER, FENDER | 4 |
| † | 8.5 | NUT, 5/16"-18 NYLOCK | 4 |
| † | 8.6 | BOLT, M10-1.5 x 18MM | 4 |
| 9 | 7106956 | UNLOADER, WS SERIES SVC ASSY | 1 |
| 9.1 | 7102088 | UNLOADER, 5800PSI STAINLESS STEEL | 1 |
| 9.2 | 7200103 | ELBOW, 1/2" 90° ST. | 1 |
| 9.3 | 7102405 | ADAPTER 1/2" NPTM x 5/8"-45° FLARED | 1 |
| 9.4 | 7104717 | FITTING, 5/8" HB X 5/8" NPFT | 1 |
| 9.5 | 7100604 | NIPPLE, 1/2" x 3/8" M REDUCED HEX | 1 |
| 9.6 | 7100020 | PLUG, 3/8" QC-M x 3/8" NPTF | 1 |
| 10 | 7106961 | BELT GUARD, WS5040 SVC ASSY | 1 |
| 10.1 | 7104727 | BELTGUARD, BACK 5040 WATER SHOT | 1 |
| 10.2 | 7104729 | BELTGUARD, FRONT 5040 WATER SHOT | 1 |
| 10.3 | 7100389 | GROMMET, 7/16" RUBBER | 2 |
| 10.4 | 7104845 | BELT GUARD BRACKET | 1 |
| † | 10.5 | BOLT, 5/16"-18 x 1 1/4" | 2 |
| † | 10.6 | WASHER, 5/16" | 2 |
| † | 10.7 | NUT, 5/16"-18 NYLOCK | 2 |
| † | 10.8 | BOLT, 1/4"-20 x 1" | 2 |
| † | 10.9 | WASHER, 1/4" FLAT | 2 |
| † | 10.10 | NUT, CLINCH, 1/4"-20 | 2 |
| † | 10.11 | RIVET, AN430-A4-6 ALUMINUM | 6 |
| 11 | 7106957 | FUEL INTAKE, WS5040 SVC ASSY | 1 |
| 11.1 | 7104167 | FITTING, FUEL LINE BLOCK | 1 |
| 11.2 | 7100292 | ELBOW, 1/8" NPTM x 1/8" NPTF | 1 |
| 11.3 | 7100430 | 1/4" HB x 1/8" NPTM | 1 |
| 11.4 | 7100622 | NIPPLE, 1/8" x CLOSE | 1 |
| 11.5 | 7100822 | PLUG, 1/8" SHUTOFF | 1 |
| † | 11.6 | BOLT, 1/4"-20 x 1" | 2 |
| † | 11.7 | WASHER, 1/4" FLAT | 2 |
| † | 11.8 | NUT, 1/4"-20 NYLOCK | 2 |
| 12 | 7104129 | BATTERY BOX W/ COVER & STRAP | 1 |
| 13 | 7106958 | NOZZLE KIT, 3.5 4 PC | 1 |
| 13.1 | 7100389 | GROMMET, 7/16" RUBBER | 4 |
| 13.2 | 7100639 | NOZZLE, 3.5 x 0deg, .250 QC-M (RED) | 1 |
| 13.3 | 7100640 | NOZZLE, 3.5 x 15deg, .250 QC-M (YELLOW) | 1 |
| 13.4 | 7100641 | NOZZLE, 3.5 x 25deg, .250 QC-M (GREEN) | 1 |
| 13.5 | 7100642 | NOZZLE, 3.5 x 40deg, .250 QC-M (WHITE) | 1 |
| 14 | 7106959 | TENSIONER KIT, WS5040 PUMP SPRING | 1 |
| 14.1 | 7101170 | SPRING, BELT GUARD TENSIONER | 1 |
| 14.2 | 7104877 | SPACER, SPRING LOCATOR | 1 |
| † | 14.3 | NUT SPRING EYE | 1 |
| † | 14.4 | SCREW, 10-32 X .50 PAN HEAD PHILLIPS | 1 |
| † | 14.5 | BOLT, M6 x 1 x 40MM | 1 |
| 15 | 7101005 | PULLEY 2.3V3-15-H | 1 |
| 16 | 7103639 | PULLEY 23V925H | 1 |
| 17 | 7100174 | BUSHING, H x 24MM | 1 |
| 18 | 7100173 | BUSHING, H x 1 | 1 |
| 19 | 7100090 | Belt, 3V x 500 GATES | 2 |
| 20 | 7100393 | SPRAY GUN 5000PSI @ 10GPM | 1 |
| 21.1 | 7100551 | LANCE, 48" INSULATED | 1 |
| 21.2 | 7100021 | COUPLER, 1/4" QC-F x 1/4" NPTF | 1 |
| * 21.3 | 7100018 | SOCKET, O-RING SEAL | 1 |
| 22 | 7100477 | HOSE, 3/8" x 50' x 5000PSI RUBBER | 1 |
| 23 | 7103709 | KIT, CHEMICAL INJECTOR | 1 |
| * 24 | 7106053 | MANUAL, WATER SHOTGUN SERIES | 1 |
| * 25 | 7103759 | BOX, 48 1/4" x 28 3/8" x 26 3/4" | 1 |

* NOT SHOWN
† NOT SOLD SEPERATELY
< GENERAL PUMP VERSION
> COMET VERSION



| PUMP INFORMATION TABLE | | | |
|------------------------|------------|---------------|--------------|
| MACHINE SERIAL NO. | PUMP MODEL | PUMP PART NO. | PUMP KIT NO. |
| < | GP TSP1819 | 7101033 | 7106953 |
| > | TW 5050S | 7105798 | 7106954 |

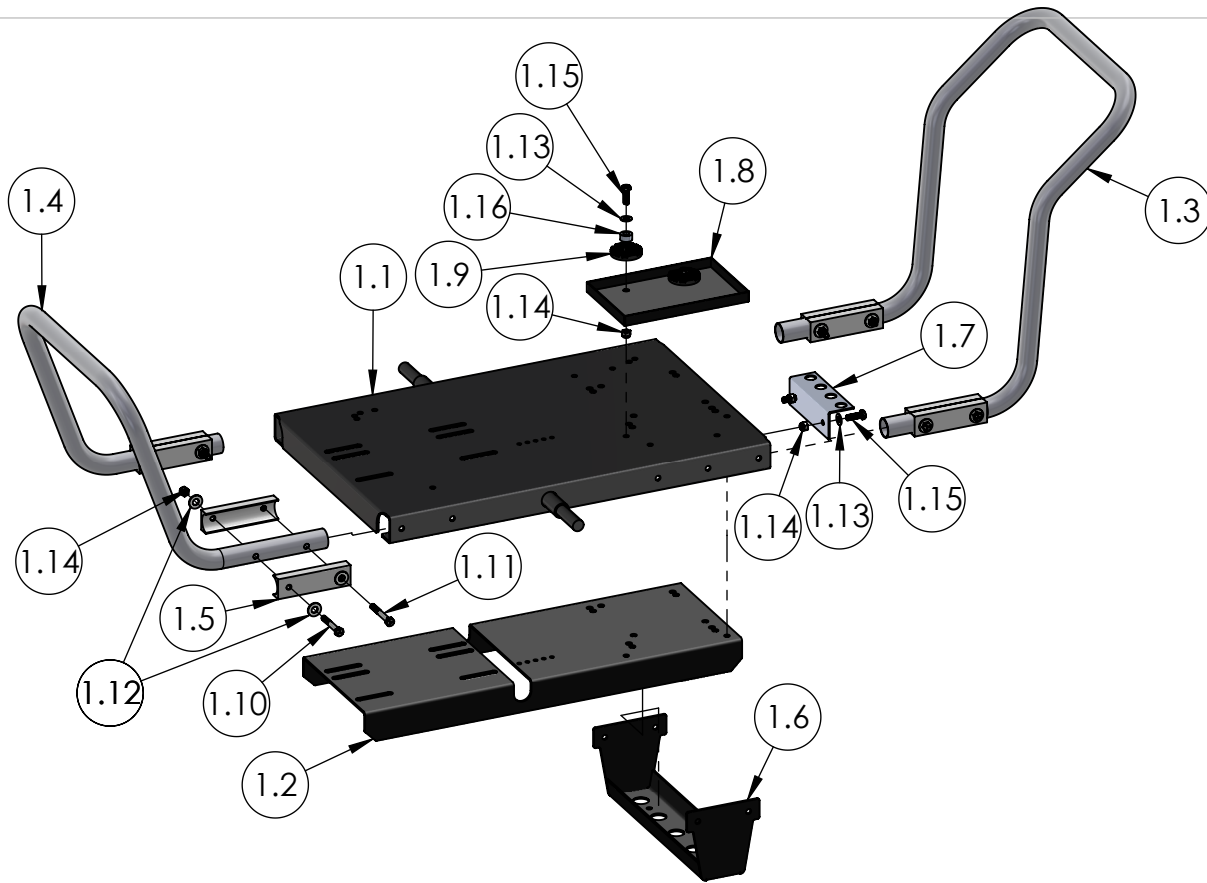
| NAME | DATE |
|------------------|-----------|
| DRAWN TV | 6/13/2013 |
| CHECKED MG | 8/9/2013 |
| ENG APPR. SW | 8/9/2013 |
| MFG APPR. - | - |
| Q.A. APPR. KB | 8/9/2013 |
| SERVICE APPR. DH | 8/8/2013 |

FNA-GROUP
1265 INDUSTRIAL STREET, DECATUR, AR 72722

TITLE:
WS5040 WATER SHOTGUN

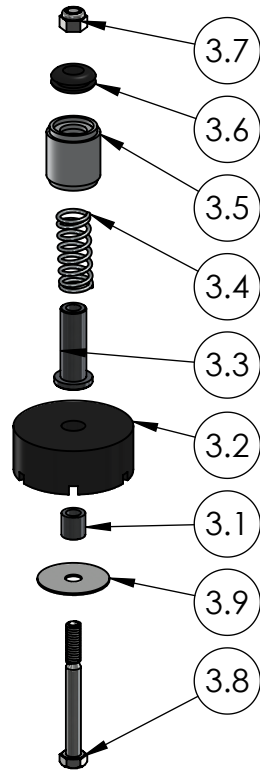
PROPRIETARY AND CONFIDENTIAL
THE INFORMATION CONTAINED IN THIS DRAWING IS THE SOLE PROPERTY OF FNA-GROUP. ANY REPRODUCTION IN PART OR AS A WHOLE WITHOUT THE WRITTEN PERMISSION OF FNA-GROUP IS PROHIBITED.

| | | |
|-------------|------------------------------|--------------|
| SIZE | DWG. NO. | REV. |
| A | 60243-S & 60680-S | A |
| SCALE: 1:16 | ECN# DC13-0152 | SHEET 1 OF 9 |



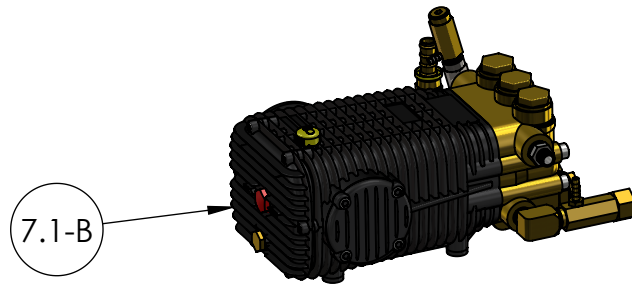
FRAME, WS SERIES SVC ASSY
PART NO. 7106949

| ITEM | PART NO. | DESCRIPTION | QTY |
|------|----------|----------------------------------|-----|
| 1.1 | 7104732 | FRAME, BASE WS5040 | 1 |
| 1.2 | 7104733 | SUB-FRAME, BASE WATER SHOT LARGE | 1 |
| 1.3 | 7105253 | HANDLE, REAR WATER SHOT | 1 |
| 1.4 | 7105248 | HANDLE, FRONT WATER SHOT | 1 |
| 1.5 | 7104854 | INSERT, HANDLE | 8 |
| 1.6 | 7104734 | BRACKET, FOOT WS SERIES | 1 |
| 1.7 | 7104856 | NOZZLE HOLDER 4PC | 1 |
| 1.8 | 7106041 | BATTERY TRAY, WS5040 | 1 |
| 1.9 | 7101373 | WASHER, RUBBER BUMPER | 2 |
| 1.10 | | BOLT, 5/16"-18 x 2 1/4" | 4 |
| 1.11 | | BOLT, 5/16"-18 x 2 1/2" | 4 |
| 1.12 | | WASHER, 5/16" | 16 |
| 1.13 | | WASHER, FLAT 5/16" | 4 |
| 1.14 | | NUT, 5/16"-18 NYLOCK | 12 |
| 1.15 | | BOLT, 5/16"-18 x 1" | 4 |
| 1.16 | | SPACER, BACK 3/4" OD | 2 |

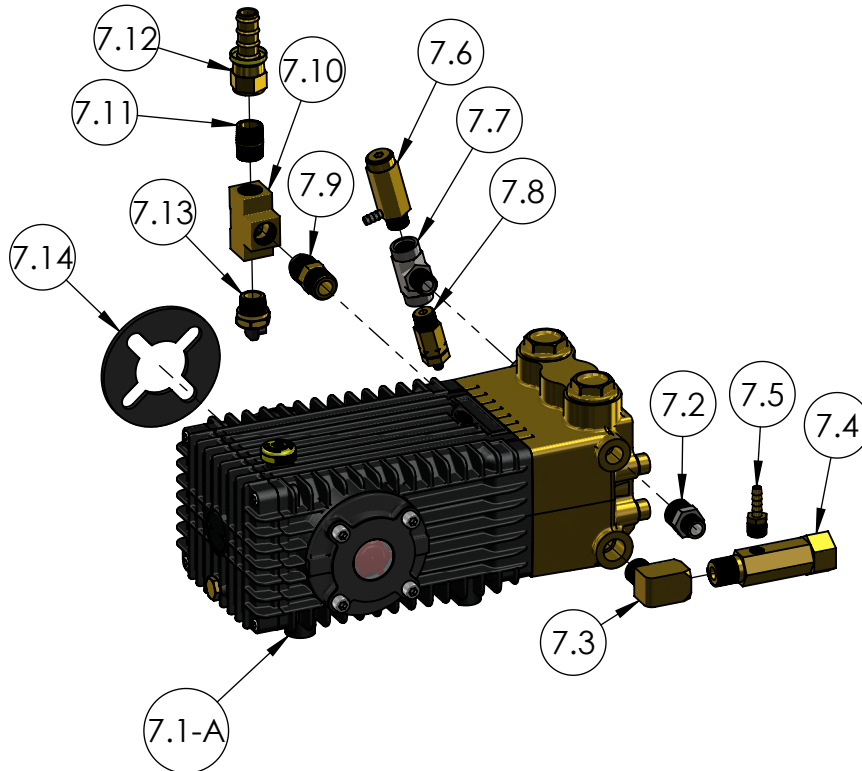


FOOT KIT, WS SERIES SPRING
PART NO. 7106951

| ITEM | PART NO. | DESCRIPTION | QTY |
|------|----------|------------------------|-----|
| 3.1 | 7101156 | SHOE SLEEVE | 1 |
| 3.2 | 7101125 | RUBBER FOOT | 1 |
| 3.3 | 7101157 | SPRING SLEEVE | 1 |
| 3.4 | 7101169 | SPRING, WS SERIES FOOT | 1 |
| 3.5 | 7101524 | HOUSING, FOOT SPRING | 1 |
| 3.6 | 7100389 | GROMMET, 7/16" RUBBER | 1 |
| 3.7 | | NUT, 5/16"-18 NYLOCK | 1 |
| 3.8 | | BOLT, 5/16"-18 x 3" | 1 |
| 3.9 | | WASHER, 5/16" FENDER | 1 |

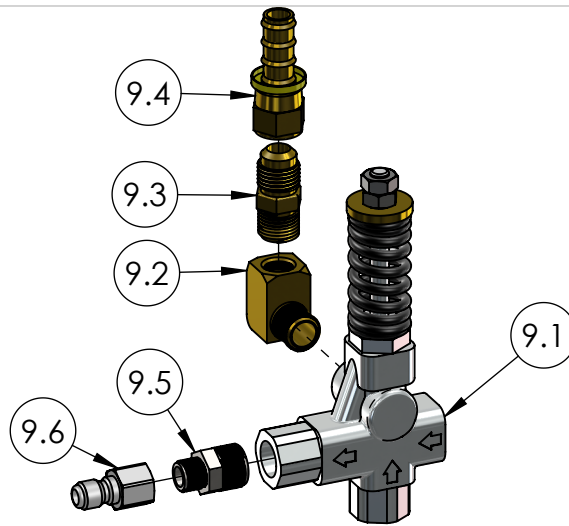


PART NO. FOR COMET ASSY 7106954



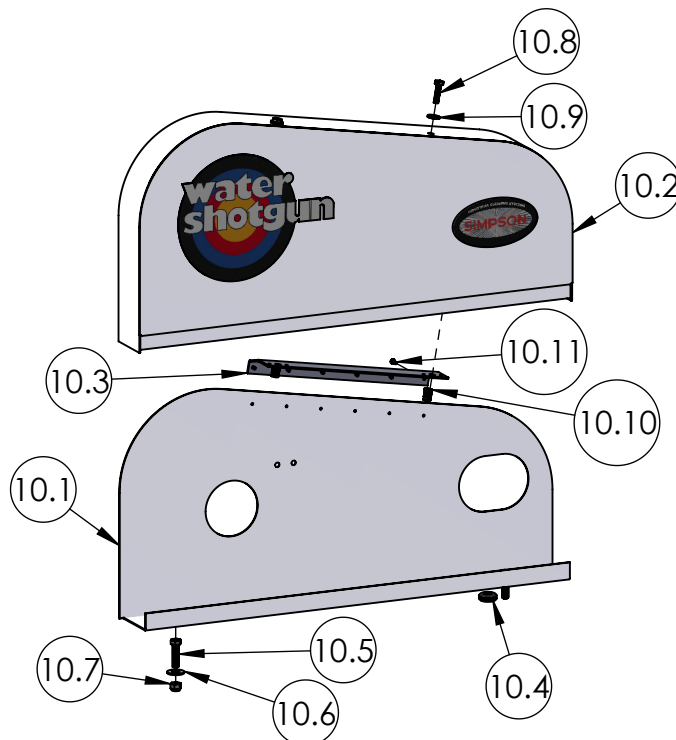
PUMP, WS5040 SVC ASSY
PART NO. FOR GP ASSY 7106953

| ITEM | PART NO. | DESCRIPTION | QTY |
|-------|----------|--------------------------------------|-----|
| 7.1-A | 7101033 | GP PUMP, TSP1819 | 1 |
| 7.1-B | 7105798 | COMET PUMP, TW5050S 5000PSI @ 5.2GPM | 1 |
| 7.2 | 7100604 | NIPPLE, 1/2" x 3/8" M REDUCED HEX | 1 |
| 7.3 | 7200103 | ELBOW, 1/2" 90° ST. | 1 |
| 7.4 | 7101999 | 3/4" GARDEN HOSE INLET | 1 |
| 7.5 | 7100423 | 1/4" HOSE BARB x 1/4" NPTM | 1 |
| 7.6 | 7102578 | VALVE, PRESSURE RELIEF | 1 |
| 7.7 | 7101264 | TEE, 3/8" STREET | 1 |
| 7.8 | 7106576 | EZ START VALVE, 3/8" NPTM x 1/8" HB | 1 |
| 7.9 | 7102405 | ADAPTER 1/2" NPTM x 5/8"-45° FLARED | 1 |
| 7.10 | 7101263 | TEE, 1/2" NPTF | 1 |
| 7.11 | 7100603 | NIPPLE, 1/4" x 2 1/2" | 1 |
| 7.12 | 7104717 | FITTING, 5/8" HB X 5/8" NPFT | 1 |
| 7.13 | 7101331 | RELIEF VALVE, 1/2" NPTM THERMAL | 1 |
| 7.14 | 7101037 | PUMP BUMPER | 1 |



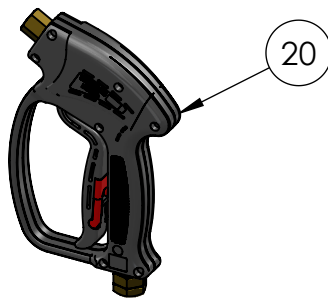
UNLOADER, WS SERIES SVC ASSY PART NO. 7106956

| ITEM | PART NO. | DESCRIPTION | QTY |
|------|----------|-------------------------------------|-----|
| 9.1 | 7102088 | UNLOADER, 5800PSI STAINLESS STEEL | 1 |
| 9.2 | 7200103 | ELBOW, 1/2" 90° ST | 1 |
| 9.3 | 7102405 | ADAPTER 1/2" NPTM x 5/8"-45° FLARED | 1 |
| 9.4 | 7104717 | FITTING, 5/8" HB X 5/8" NPFT | 1 |
| 9.5 | 7100604 | NIPPLE, 1/2" x 3/8" M REDUCED HEX | 1 |
| 9.6 | 7100020 | PLUG, 3/8" QC-M x 3/8" NPTF | 1 |



BELT GUARD, WS5040 SVC ASSY PART NO. 7106961

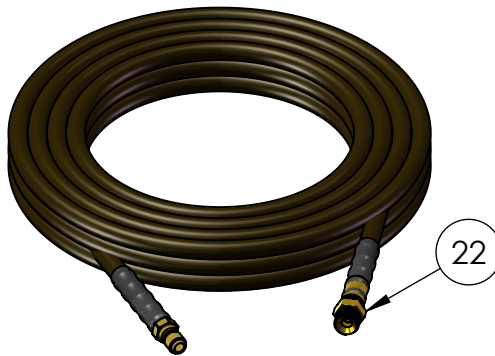
| ITEM | PART NO. | DESCRIPTION | QTY |
|-------|----------|----------------------------------|-----|
| 10.1 | 7104727 | BELTGUARD, BACK 5040 WATER SHOT | 1 |
| 10.2 | 7104729 | BELTGUARD, FRONT 5040 WATER SHOT | 1 |
| 10.3 | 7104845 | BELT GUARD BRACKET | 1 |
| 10.4 | 7100389 | GROMMET, 7/16" RUBBER | 2 |
| 10.5 | | BOLT, 5/16" - 18 x 1 1/4" | 2 |
| 10.6 | | WASHER, 5/16" | 2 |
| 10.7 | | NUT, 5/16"-18 NYLOCK | 2 |
| 10.8 | | BOLT, 1/4"-20 x 1" | 2 |
| 10.9 | | WASHER, 1/4" FLAT | 2 |
| 10.10 | | NUT, CLINCH, 1/4"-20 | 2 |
| 10.11 | | RIVET, AN430-A4-6 ALUMINUM | 6 |



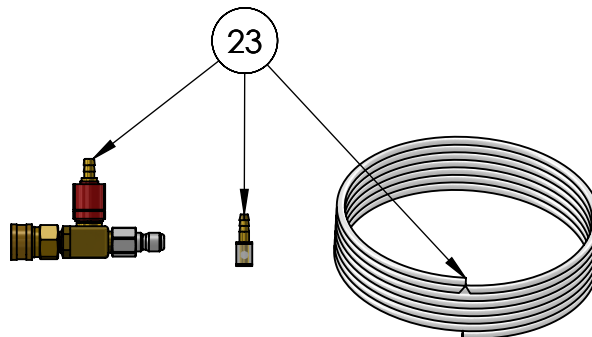
SPRAY GUN 5000PSI @ 10GPM
PART NO. 7100393



LANCE, 48" INSULATED
PART NO. 7100551



HOSE, 3/8" x 50' x 5000PSI RUBBER
PART NO. 7100477



KIT, CHEMICAL INJECTOR
PART NO. 7103709