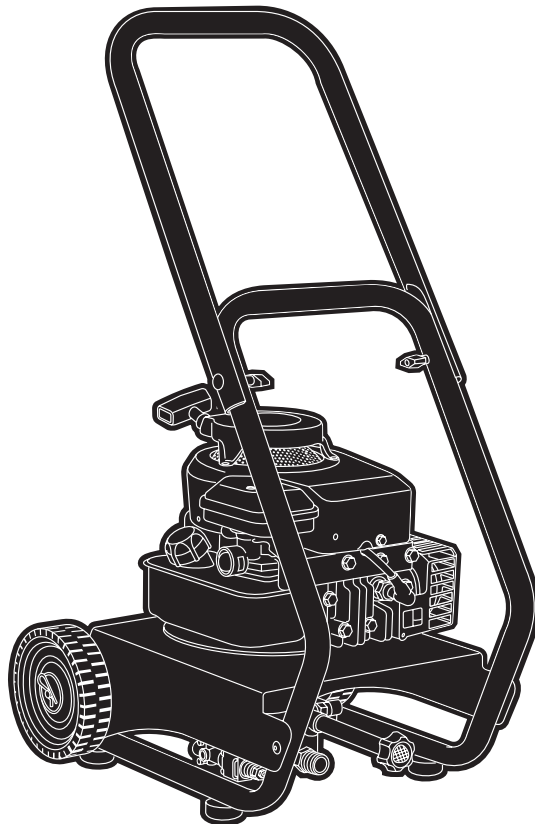


Speed Clean[™] Pressure Washer

2000 PSI

Illustrated Parts List



Questions? Help is just a moment away!
Preguntas? La ayuda es justa un momento lejos!

Call: **Pressure Washer Helpline**

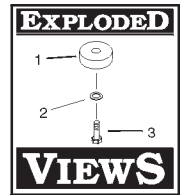
Llame: **Línea Directa del Lavador a Presión - 1-800-743-4115** M-F 8-5 CT

SpeedClean[™] is a trademark of Briggs & Stratton Power Products.

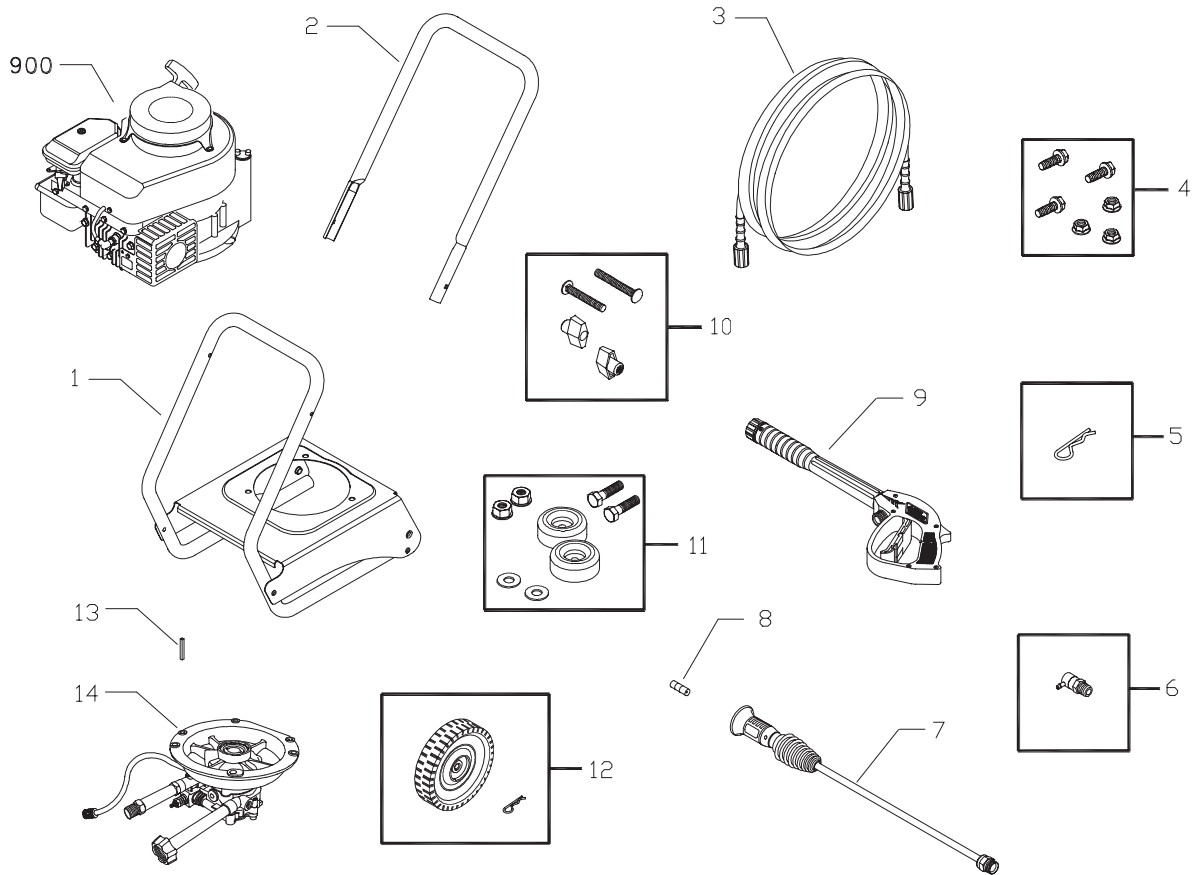
SpeedClean[™] es una marca registrada de Briggs & Stratton Power Products.

BRIGGS & STRATTON POWER PRODUCTS GROUP, LLC
JEFFERSON, WISCONSIN, U.S.A.

Model No. 020238-0 (2000 PSI Pressure Washer) Manual No. 196150A Revision I (03/03/2005)



EXPLODED VIEW AND PARTS LIST - MAIN UNIT



Item	Part #	Description
1	196876GS	BASE
2	B195960GS	HANDLE
3	196006GS	HOSE
4	192525GS	KIT, Pump/Engine Mounting Hardware
5	87005AGS	PIN, Quick Release
6	194298GS	RELIEF, Thermal
7	194344DGS	WAND
8	193609DGS	ORFICE
9	193482GS	GUN
10	B2203GS	KIT, Fastening Handle
11	192310GS	KIT, Vibration Mount
12	196895GS	KIT, Wheel
13	23139GS	KEY

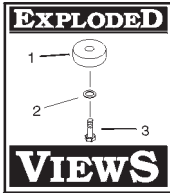
Item	Part #	Description
14	194216GS	ASSY, Pump (see page 3)
900	§	ENGINE

Items Not Illustrated:

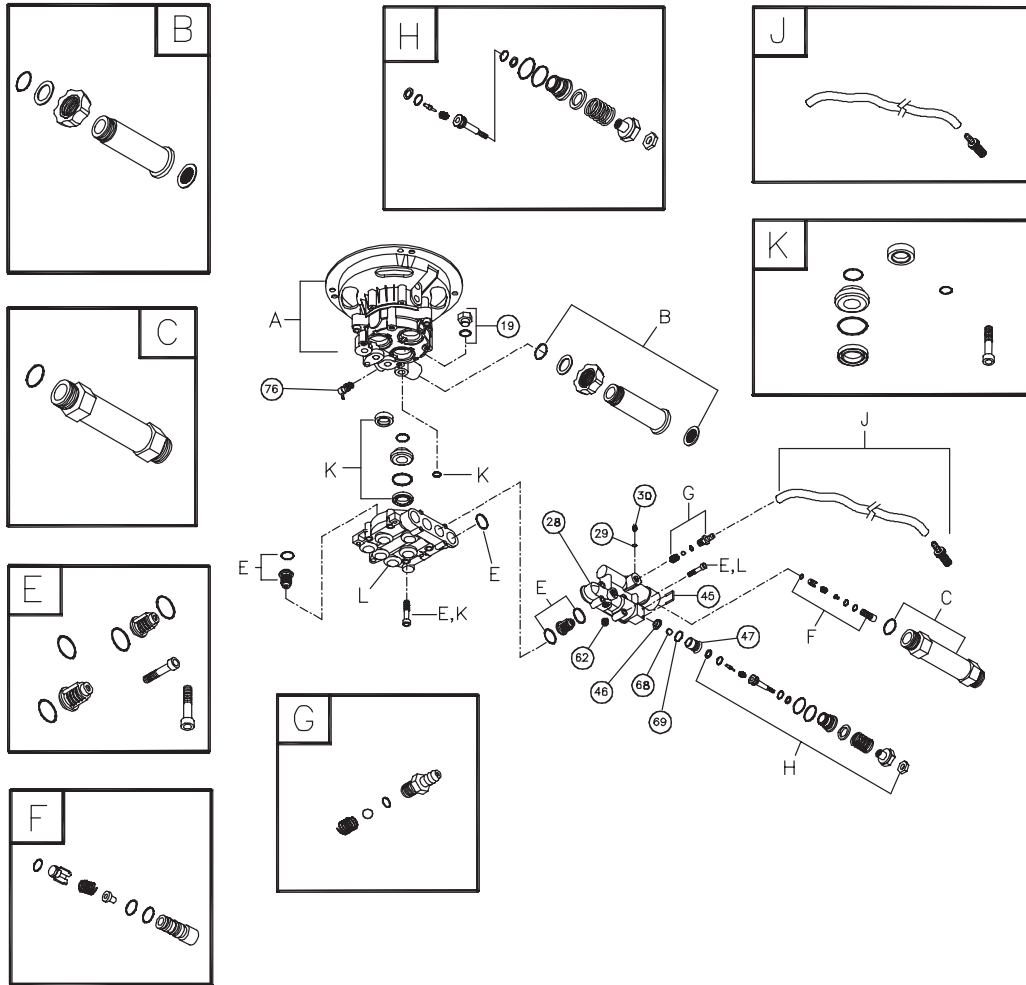
Part #	Description
196150GS	MANUAL, Owners
MS5373	MANUAL, Engine
BB3061BGS	OIL BOTTLE
87815GS	GOGGLES
275034	LABEL, Warning
195959GS	AXLE
196897GS	KIT, Decal, Srv

§ - Contact Engine Manufacturer

Copyright © 2005 Briggs & Stratton Power Products Group, LLC. All rights reserved. No part of this material may be reproduced or transmitted in any form by any means without the express written permission of Briggs & Stratton Power Products Group, LLC.



EXPLODED VIEW AND PARTS LIST - PUMP



Item	Part #	Description
19	190571GS	CAP, Oil
28	190627GS	MANIFOLD
29	190575GS	O-RING, 4 X 2
30	190576GS	SCREW
45	190578GS	PIN
46	190629GS	VALVE, Seat Plate, Plastic
47	190630GS	VALVE, Seat, Plastic
62	190581GS	CAP, 1/8
68	190582GS	BALL, 7mm SS
69	190584GS	O-RING, 9.25 x 1.78
76	194298GS	THERMAL RELIEF
A	NSP	ASSY, CASE, PISTON
B	190632GS	KIT, WATER INLET, ALUM
C	190634GS	KIT, OUTLET, ALUM

Item	Part #	Description
E	190591GS	KIT, CHECK VALVES
F	190592GS	KIT, INLET CHECK
G	190593GS	KIT, CHEMICAL INJECTION
H	190628GS	KIT, UNLOADER STEM
J	189971GS	KIT, CHEMICAL HOSE
K	190636GS	KIT, SEAL SET
L	NSP	KIT, HEAD ALUM

Parts Not Illustrated
190586GS OIL BOTTLE

NOTE: Item letters B - K are service kits and include all parts shown within the box.