

# Owner's Manual



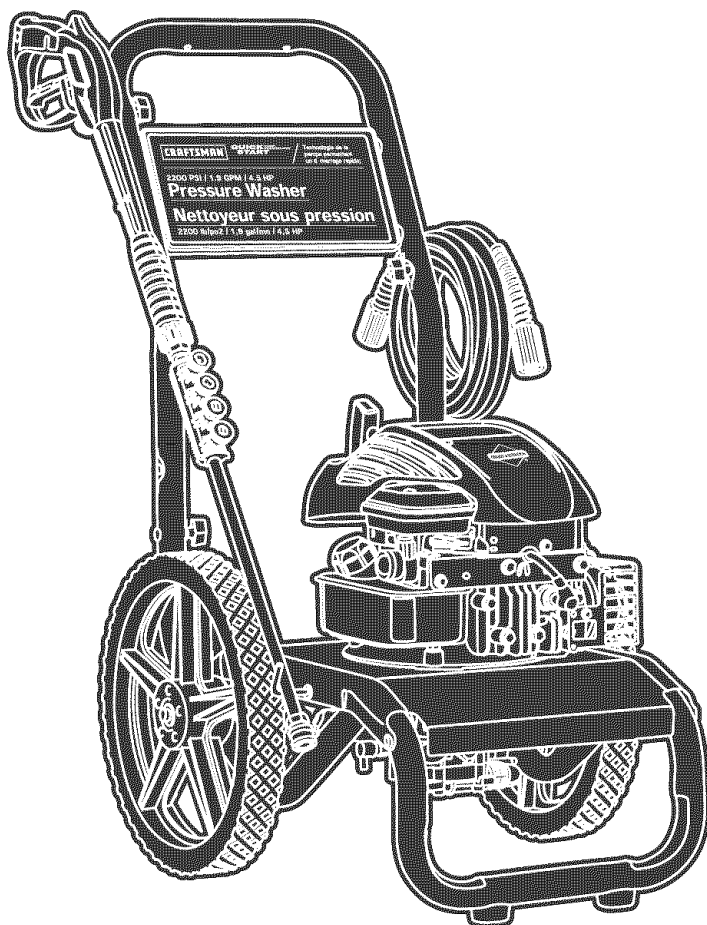
## PRESSURE WASHER

4.5 HORSEPOWER

2,200 PSI

1.9 GPM

Model No. 580.676661



HOURS: Mon. - Fri. 8 a.m. to 5 p.m. (CT)

	<b>WARNING</b>
Before using this product, read this manual and follow all Safety Rules and Operating Instructions.	

	<b>AVERTISSEMENT</b>
Avant d'utiliser ce produit, veuillez lire le manuel et suivre toutes les directives relatives à la sécurité et à l'utilisation.	

- Safety
- Assembly
- Operation
- Maintenance
- Parts
- Français

Sears Canada, Inc.

Visit our Craftsman website: [www.sears.ca](http://www.sears.ca)

Part No. 197184GS Draft 1 (11/02/2005)



# TABLE OF CONTENTS

WARRANTY .....	2	STORAGE .....	19-20
SAFETY RULES .....	2-4	TROUBLESHOOTING .....	21
FEATURES & CONTROLS .....	5	NOTES .....	22
ASSEMBLY .....	6-8	HOW TO ORDER PARTS .....	23
OPERATION .....	9-12	REPLACEMENT PARTS .....	24-29
SPECIFICATIONS .....	13	EMISSION CONTROL WARRANTY .....	30-31
MAINTENANCE .....	14-18	FRANÇAIS .....	32-56

## WARRANTY

### LIMITED ONE YEAR WARRANTY ON CRAFTSMAN PRESSURE WASHER

For one year from the date of purchase, when this CRAFTSMAN® Pressure Washer is maintained and operated according to the instructions in the owner's manual, Sears will repair, free of charge, any defect in material and workmanship.

If this pressure washer is used for commercial purposes, this warranty applies for only 90 days from the date of purchase.

If this pressure washer is used for rental purposes, this warranty applies for only 30 days after date of purchase.

This warranty does not cover:


- Expendable items such as spark plugs and air filters, which become worn during normal use.
- Repairs necessary because of operator abuse or negligence, including damage resulting from no water being supplied to pump or failure to maintain the equipment according to the instructions contained in the owner's manual.


WARRANTY SERVICE IS AVAILABLE BY RETURNING THE PRESSURE WASHER TO THE NEAREST SEARS SERVICE CENTER OR DEALER IN CANADA.

This warranty gives you specific legal rights and you may also have other rights, which vary from province to province.

Sears Canada, Inc.

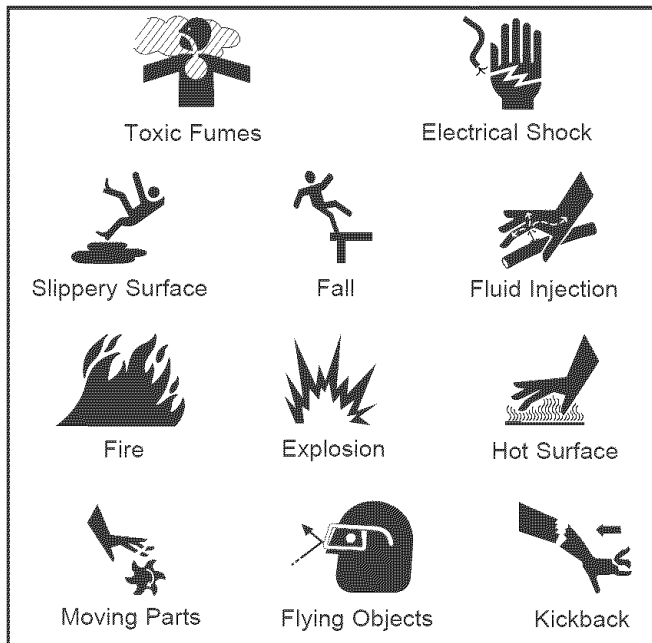
## SAFETY RULES

 This is the safety alert symbol. It is used to alert you to potential personal injury hazards. Obey all safety messages that follow this symbol to avoid possible injury or death.

 Read this manual carefully and become familiar with your pressure washer. Know its applications, its limitations, and any hazards involved.

The safety alert symbol (▲) is used with a signal word (DANGER, CAUTION, WARNING), a pictorial and/or a safety message to alert you to hazards. **DANGER** indicates a hazard which, if not avoided, *will* result in death or serious injury. **WARNING** indicates a hazard which, if not avoided, *could* result in death or serious injury. **CAUTION** indicates a hazard which, if not avoided, *might* result in minor or moderate injury. **CAUTION**, when used **without** the alert symbol, indicates a situation that could result in equipment damage. Follow safety messages to avoid or reduce the risk of injury or death.

### Hazard Symbols and Meanings



**⚠ WARNING**

The engine exhaust from this product contains chemicals known to the State of California to cause cancer, birth defects, or other reproductive harm.

**⚠ WARNING**



Running engine gives off carbon monoxide, an odorless, colorless, poison gas. Breathing carbon monoxide can cause nausea, fainting or death. Some chemicals or detergents may be harmful if inhaled or ingested, causing severe nausea, fainting or poisoning.

- Operate pressure washer ONLY outdoors.
- Keep exhaust gas from entering a confined area through windows, doors, ventilation intakes or other openings.
- DO NOT operate pressure washer inside any building or enclosure, even if doors or windows are open.
- Use a respirator or mask whenever there is a chance that vapors may be inhaled.
- Read all instructions packed with mask so you are certain mask will provide necessary protection against inhaling harmful vapors.

**⚠ WARNING**



Use of pressure washer can create puddles and slippery surfaces.



High pressure spray could cause you to fall if you are too close to the cleaning surface.

- Keep spray nozzle between 8 to 24 inches away from cleaning surface.
- Operate this unit on a stable surface.
- Cleaning area should have adequate slopes and drainage to reduce possibility of falls due to slippery surfaces.
- Be extremely careful if you must use pressure washer from a ladder, scaffolding or any other relatively unstable location.
- Firmly grasp spray gun with both hands when using high pressure spray to avoid injury if gun kicks back.

**⚠ WARNING**



Rapid retraction of starter cord (kickback) will pull hand and arm toward engine faster than you can let go.

Broken bones, fractures, bruises or sprains could result.

- ALWAYS point gun in safe direction and squeeze spray gun trigger, to release pressure and avoid kickback each time, before starting engine. Engage trigger lock when not in use.
- When starting engine, pull cord slowly until resistance is felt and then pull rapidly to avoid kickback.
- After each starting attempt, where engine fails to run, always point gun in a safe direction and squeeze spray gun trigger to release high pressure.

**⚠ WARNING**



Fuel and its vapors are extremely flammable and explosive.



Fire or explosion can cause severe burns or death.

**WHEN ADDING OR DRAINING FUEL**

- Turn pressure washer OFF and let it cool at least 2 minutes before removing fuel cap. Loosen cap slowly to relieve pressure in tank.
- Fill or drain fuel tank outdoors.
- DO NOT overfill tank. Allow space for fuel expansion.
- Keep fuel away from sparks, open flames, pilot lights, heat, and other ignition sources.
- DO NOT light a cigarette or smoke.

**WHEN STARTING EQUIPMENT**

- Ensure spark plug, muffler, fuel cap and air cleaner are in place.
- DO NOT crank engine with spark plug removed.
- If fuel spills, wait until it evaporates before starting engine.

**WHEN OPERATING EQUIPMENT**

- Do not tip engine or equipment at angle which causes fuel to spill.
- DO NOT spray flammable liquids.

**WHEN TRANSPORTING OR REPAIRING EQUIPMENT**

- Transport/repair with fuel tank EMPTY or with fuel shutoff valve OFF.
- Disconnect spark plug wire.

**WHEN STORING FUEL OR EQUIPMENT WITH FUEL IN TANK**

- Store away from furnaces, stoves, water heaters, clothes dryers or other appliances that have pilot light or other ignition source because they can ignite fuel vapors.

**⚠ WARNING**




The high pressure stream of water that this equipment produces can pierce skin and its underlying tissues, leading to serious injury and possible amputation.

Spray gun traps high water pressure, even when engine is stopped and water is disconnected, which can cause injury.


- NEVER aim spray gun at people, animals or plants.
- DO NOT allow CHILDREN to operate pressure washer.
- NEVER repair high pressure hose. Replace it.
- NEVER repair leaking connections with sealant of any kind. Replace o-ring or seal.
- Keep high pressure hose connected to pump and spray gun while system is pressurized.
- ALWAYS point gun in safe direction and squeeze spray gun trigger, to release high pressure, every time you stop engine. Engage trigger lock when not in use.


**WARNING**

 Spray contact with electrical wiring can result in electrocution.

- Keep water spray away from electric wiring or fatal electric shock may result.


**WARNING**

 Running engines produce heat. Temperature of muffler and nearby areas can reach or exceed 150°F (65°C).

 Severe burns can occur on contact. Exhaust heat/gases can ignite combustibles, structures or damage fuel tank causing a fire.


- DO NOT touch hot surfaces and avoid hot exhaust gases.
- Allow equipment to cool before touching.
- Keep at least 5 ft. (152 cm) clearance on all sides of pressure washer including overhead.
- Code of Federal Regulation (CFR) Title 36 Parks, Forests, and Public Property require equipment powered by an internal combustion engine to have a spark arrester, maintained in effective working order, complying to USDA Forest service standard 5100-1C or later revision. In the State of California a spark arrester is required under section 4442 of the California Public resources code. Other states may have similar laws.


**WARNING**

 Starter and other rotating parts can entangle hands, hair, clothing, or accessories.

- DO NOT wear loose clothing, jewelry or anything that may be caught in starter or other rotating parts.
- Tie up long hair and remove jewelry.

**WARNING**

 Unintentional sparking can result in fire or electric shock.



**WHEN ADJUSTING OR MAKING REPAIRS TO YOUR PRESSURE WASHER**

- Disconnect the spark plug wire from the spark plug and place the wire where it cannot contact spark plug.

**WHEN TESTING FOR ENGINE SPARK**

- Use approved spark plug tester.
- DO NOT check for spark with spark plug removed.

**WARNING**

 High pressure spray can cause paint chips or other particles to become airborne.

- Always wear eye protection when using equipment or when in vicinity of equipment in use.

**CAUTION**

Excessively high or low operating speeds increase risk of injury and damage to pressure washer.

- DO NOT tamper with governed speed.
- DO NOT operate pressure washer above rated pressure.

**CAUTION**

A pressure washer produces a high pressure spray which increases risk of injury and damage to unit.

- DO NOT secure spray gun in open position.
- DO NOT leave spray gun unattended while machine is running.
- NEVER use a spray gun which does not have a trigger lock or trigger guard in place and in working order.
- Always be certain spray gun, nozzles and accessories are correctly attached.

**CAUTION**

High pressure spray may damage fragile items including glass.

- DO NOT point spray gun at glass when in jet spray mode.
- NEVER aim spray gun at plants.

**CAUTION**

Improper treatment of pressure washer can damage it and shorten its life.

- If you have questions about intended use, ask dealer or contact Sears.
- NEVER operate units with broken or missing parts, or without protective housing or covers.
- DO NOT by-pass any safety device on this machine.
- Before starting pressure washer in cold weather, check all parts of the equipment to be sure ice has not formed there.
- NEVER move machine by pulling on high pressure hose. Use handle provided on unit.
- Check fuel system for leaks or signs of deterioration, such as chafed or spongy hose, loose or missing clamps, or damaged tank or cap. Correct all defects before operating pressure washer.
- This equipment is designed to be used with Sears authorized parts **ONLY**. If equipment is used with parts that DO NOT comply with minimum specifications, user assumes all risks and liabilities.



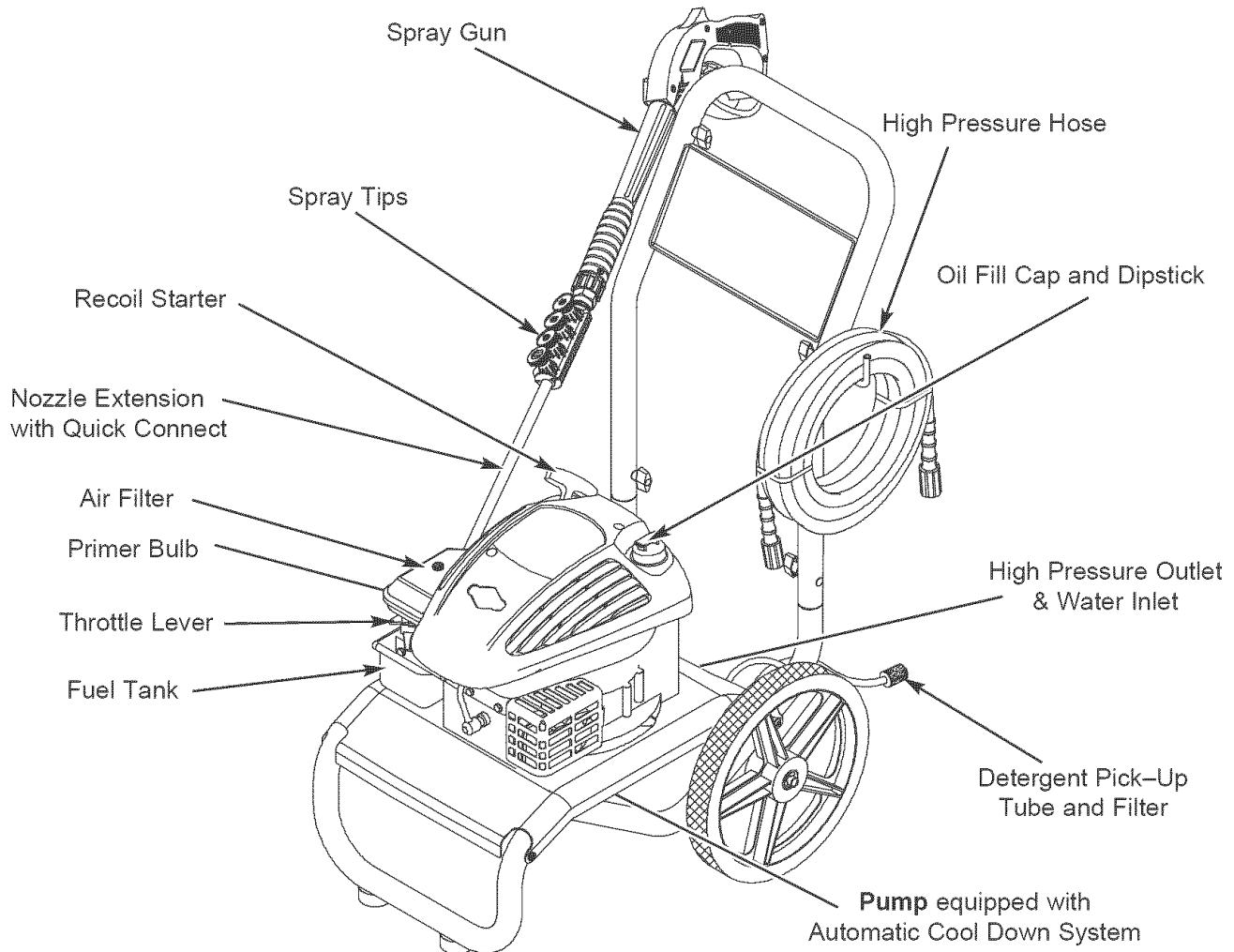
# FEATURES AND CONTROLS

## KNOW YOUR PRESSURE WASHER



Read the owner's manual and safety rules before operating your pressure washer.

Compare the illustrations with your pressure washer to familiarize yourself with the locations of various controls and adjustments. Save this manual for future reference.



**Air Filter** — Protects engine by filtering dust and debris out of intake air.

**Automatic Cool Down System** — Cycles water through pump when water reaches 125°-155°F. **Warm water will discharge from pump onto ground. This system prevents internal pump damage.**

**Detergent Pick-Up Tube and Filter** — Used to siphon detergent from chemical bottle to the low pressure water stream.

**Fuel Tank** — Fill fuel tank with regular unleaded fuel. Always leave room for fuel expansion.

**High Pressure Hose** — Connect one end to the spray gun and other end to the high pressure outlet.

**High Pressure Outlet** — Connection for high pressure hose.

**Nozzle Extension with Quick Connect** — Allows you to switch between four different nozzles.

**Oil Fill Cap and Dipstick** — Check and fill engine with oil here. See page 16 for oil recommendations and filling instructions.

**Primer Bulb** — Prepares a cold engine for starting.

**Pump** — Develops high water pressure.

**Recoil Starter** — Used for starting the engine manually.

**Spray Gun** — Controls the application of water onto cleaning surface with trigger device. Includes trigger lock.

**Spray Tips** — Chemical injection, 0°, 15°, and 40°: for various high pressure cleaning applications.

**Throttle Control Lever** — Sets engine in starting mode for recoil starter and stops running engine.

**Water Inlet** — Connection for garden hose.

# ASSEMBLY

Your pressure washer requires some assembly and is ready for use only after it has been properly serviced with the recommended oil and fuel.

**If you have any problems with the assembly of your pressure washer, please call the pressure washer helpline at 1-800-222-3136.**

**IMPORTANT:** Any attempt to run the engine before it has been serviced with the recommended oil will result in an engine failure.

## REMOVE PRESSURE WASHER FROM CARTON

- Slice two corners at the end of carton from top to bottom so the panel can be folded down flat.
- Remove fillers, accessories and parts bag shipped with your pressure washer.
- Roll pressure washer out open end of carton.
- Check carton for additional loose parts.

## CARTON CONTENTS

Check all contents. If any parts are missing or damaged, call the pressure washer helpline at 1-800-222-3136.

- The main unit
- Handle
- High pressure hose
- Spray gun
- Nozzle extension with quick connect fitting and nozzle holder
- Turbo nozzle
- Engine oil
- Parts bag (which includes items listed below)
  - Owner's manual
  - Handle attachment hardware
  - Bag containing 4 multi-colored spray tips

Become familiar with each piece before assembling the pressure washer. Compare contents against the view on page 5. If any parts are missing or damaged, call the pressure washer helpline at 1-800-222-3136.

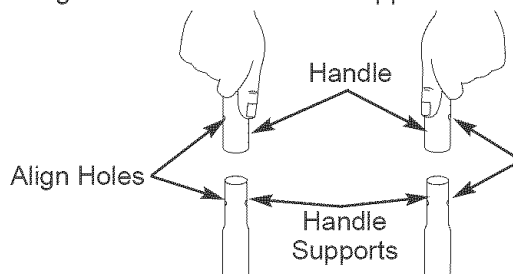
## ASSEMBLING YOUR PRESSURE WASHER

Your Craftsman pressure washer was mostly assembled at the factory. However, you will need to perform these tasks before you can operate your pressure washer:

1. Attach handle to main unit.
2. Add oil to engine crankcase.
3. Add fuel to fuel tank.
4. Connect high pressure hose to spray gun and pump.
5. Connect water supply to pump.
6. Select/attach quick connect spray tip to nozzle extension.

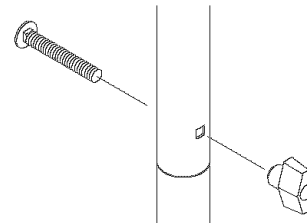
### Attach Handle

1. Place handle assembly onto handle supports connected to main unit. Make sure holes in handle align with holes on handle supports.

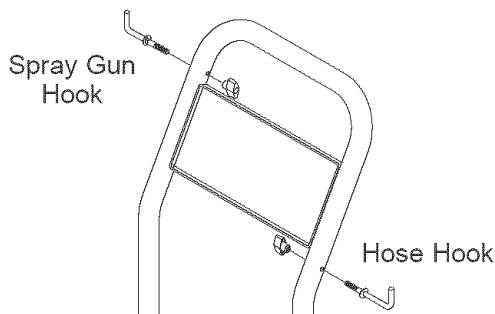


**NOTE:** It may be necessary to move the handle supports from side to side in order to align the handle so it will slide over the handle supports.

2. Insert carriage bolts through holes from outside of unit and attach a plastic knob from inside of unit. Tighten by hand.



3. Insert one "L" hook through hole just above billboard on left side of handle (viewing from front of unit). Hold hook in place and attach a plastic knob from inside of unit. Tighten by hand.



4. Insert other "L" hook through hole just below billboard on right side of handle (viewing from front of unit). Hold hook in place and attach a plastic knob from inside of unit. Tighten by hand.

## Add Engine Oil




**CAUTION!** Any attempt to crank or start the engine before it has been properly serviced with the recommended oil may result in an engine failure.

1. Place pressure washer on a level surface.
2. Clean area around oil fill and remove oil dipstick.
3. Using oil funnel (optional), slowly pour entire contents of provided oil bottle (18 oz.) into oil fill opening.
4. Replace oil dipstick and fully tighten.

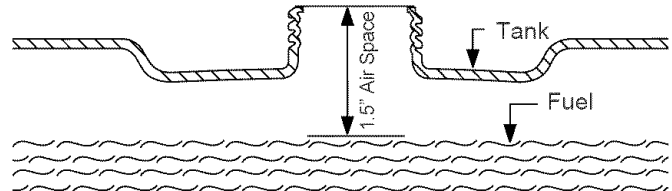
**NOTE:** See the section "Oil" on page 16 to review oil recommendations.

## Add Fuel

**NOTE:** This engine is certified to operate on gasoline. Exhaust Emission Control System: EM (Engine Modifications).

 <b>WARNING</b>	
	Fuel and its vapors are extremely flammable and explosive.
	Fire or explosion can cause severe burns or death.
<b>WHEN ADDING FUEL</b>	
<ul style="list-style-type: none"><li>• Turn pressure washer OFF and let it cool at least 2 minutes before removing fuel cap. Loosen cap slowly to relieve pressure in tank.</li><li>• Fill or drain fuel tank outdoors.</li><li>• DO NOT overfill tank. Allow space for fuel expansion.</li><li>• Keep fuel away from sparks, open flames, pilot lights, heat, and other ignition sources.</li><li>• DO NOT light a cigarette or smoke.</li></ul>	

1. Use clean, fresh, regular UNLEADED fuel with a minimum of 77 octane with equipment. DO NOT use fuel which contains Methanol. DO NOT mix oil with fuel.
2. Clean area around fuel fill cap, remove cap.
3. Slowly add regular unleaded fuel to fuel tank. Be careful not to overfill. Allow about 1.5" of tank space for fuel expansion, as shown here.



4. Install fuel cap and wipe up any spilled fuel.

**CAUTION!** Alcohol-blended fuels (called gasohol, ethanol or methanol) can attract moisture, which leads to separation and formation of acids during storage. Acidic gas can damage the fuel system of an engine while in storage.

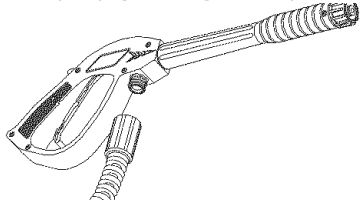
To avoid engine problems, the fuel system should be emptied before storage of 30 days or longer. Drain the fuel tank, start the engine and let it run until the fuel lines and carburetor are empty. Use fresh fuel next season. See "Storage" on pages 19-20 for additional information.

**NEVER** use engine or carburetor cleaner products in the fuel tank as permanent damage may occur.

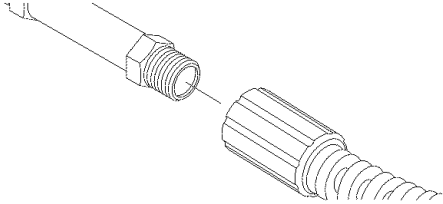
## Connect Hose and Water Supply to Pump

**IMPORTANT:** To avoid pump damage, you must assemble the nozzle extension to the spray gun and attach all hoses before you start the engine.

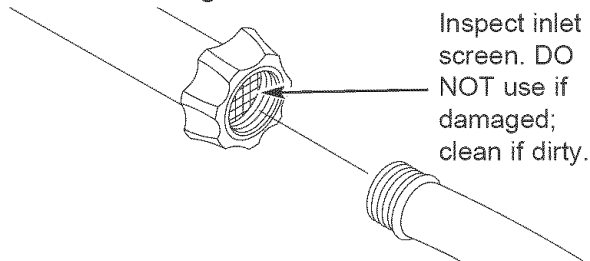
1. Uncoil high pressure hose and attach one end of hose to base of spray gun. Tighten by hand.



2. Attach other end of high pressure hose to high pressure outlet on pump. Tighten by hand.



3. Before connecting garden hose to water inlet, inspect inlet screen. Clean screen if it contains debris or have it replaced if damaged. Refer to section "O-Ring Maintenance" if inlet screen is damaged. **DO NOT run pressure washer if inlet screen is damaged.**



4. Run water through garden hose for 30 seconds to flush it of debris. Turn off water.

**IMPORTANT:** DO NOT siphon standing water for the water supply. Use ONLY cold water (less than 100°F).

5. Connect garden hose (not to exceed 50 feet in length) to water inlet. Tighten by hand.

## CAUTION

There **MUST** be at least ten feet of unrestricted garden hose between the pressure washer inlet and any flow shut off device, such as a 'Y' shut-off connector or other convenience-type water shut-off valve.

- Damage to equipment resulting from failure to follow this instruction will void warranty.

6. Turn ON water and squeeze trigger on spray gun to purge pump system of air and impurities.



## WARNING



High pressure spray can cause paint chips or other particles to become airborne.

- Always wear eye protection when using this equipment or in vicinity of where equipment is in use.
- Before starting the pressure washer, be sure you are wearing adequate eye protection.

## Checklist Before Starting Engine

Review the unit to ensure you have performed all of the following:

1. Check that oil has been added to proper level in engine crankcase.
2. Add proper fuel to fuel tank.
3. Check for properly tightened hose connections (high pressure and water supply) and that there are no kinks, cuts, or damage to high pressure hose.
4. Provide proper water supply (not to exceed 100°F).
5. Be sure to read "Safety Rules" and "Operation" sections before using the pressure washer.
6. If starting unit after storage, see "Storage" section on pages 19-20.

# OPERATION

## HOW TO USE YOUR PRESSURE WASHER

If you have any problems operating your pressure washer, please call the pressure washer helpline at 1-800-222-3136.

### Pressure Washer Location

#### Pressure Washer Clearance



#### WARNING



Exhaust heat/gases can ignite combustibles, structures or damage fuel tank causing a fire.

- Keep at least 5 ft. (152 cm) clearance on all sides of pressure washer including overhead.

Place pressure washer in a well ventilated area, which will allow for removal of deadly exhaust gas. **DO NOT** place pressure washer where exhaust gas could accumulate and enter inside or be drawn into a potentially occupied building. Ensure exhaust gas is kept away from any windows, doors, ventilation intakes or other openings that can allow exhaust gas to collect in a confined area. Prevailing winds and air currents should be taken into consideration when positioning pressure washer.

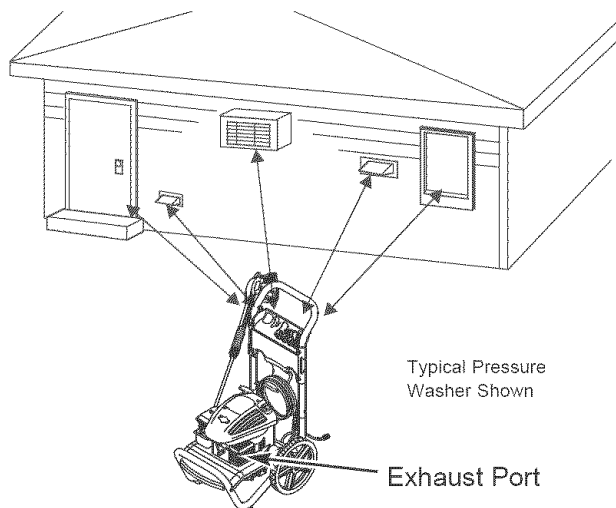


#### WARNING



Running engine gives off carbon monoxide, an odorless, colorless, poison gas. Breathing carbon monoxide can cause nausea, fainting or death.

- Operate pressure washer **ONLY** outdoors.
- Keep exhaust gas from entering a confined area through windows, doors, ventilation intakes or other openings.
- **DO NOT** operate pressure washer inside any building or enclosure, even if doors or windows are open.



### To Start Your Pressure Washer

To start your engine-powered pressure washer for the first time, follow these instructions step-by-step. This starting information also applies whenever you start the engine after you have let the pressure washer sit idle for at least a day.

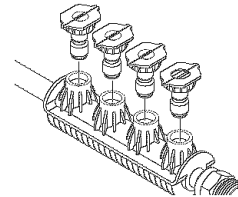
1. Place pressure washer near an outside water source capable of supplying water at a flow rate greater than 2.9 gallons per minute and no less than 20 PSI at pressure washer end of garden hose.
2. Check that high pressure hose is tightly connected to spray gun and pump. See "Assembling Your Pressure Washer" for illustrations.
3. Make sure unit is in a level position.
4. Connect garden hose to water inlet on pressure washer pump. **Turn ON water.**

#### CAUTION

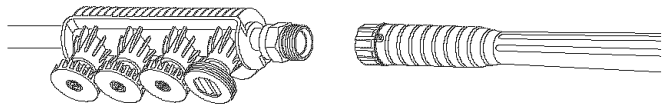
**DO NOT** run the pump without the water supply connected and turned on.

- Damage to equipment will result from failure to follow this instruction.

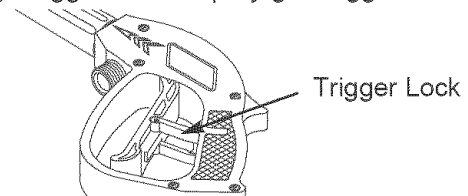
5. Squeeze trigger on gun to purge pump system of air and impurities.
6. Place colored quick connect spray tips in slots on holder that's attached to nozzle extension.



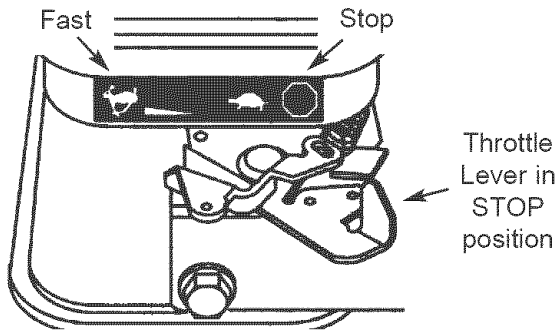
7. Attach nozzle extension to spray gun. Tighten by hand.



8. Choose spray tip you want to use, pull back on collar of nozzle extension, insert spray tip and release collar. Tug on spray tip to make sure it is securely in place. See "How to Use Spray Tips".
9. Engage trigger lock to spray gun trigger.



10. Move throttle lever to “Fast” position, shown here as a rabbit.



**NOTE:** For a warm engine, be sure the throttle lever is in the “Fast” position.

**To start the engine for the very first time:**

11. Make sure throttle lever is in “Fast” position (indicated on the engine as a rabbit).
12. Push primer bulb firmly 5 times, waiting 2 seconds between each push.

**To start engine thereafter:**

11. Make sure throttle lever is in “Fast” position (indicated on the engine as a rabbit).
12. Press primer bulb firmly 3 times, waiting 2 seconds between each push. For a warm engine, DO NOT press primer bulb.
13. When starting engine, position yourself as recommended and grasp starter grip handle and pull slowly until you feel some resistance. Then pull rapidly to start engine.



14. Return starter grip handle slowly. DO NOT let rope “snap back” against starter.

**WARNING**



Rapid retraction of starter cord (kickback) will pull hand and arm toward engine faster than you can let go.  
Broken bones, fractures, bruises or sprains could result.

- ALWAYS point gun in safe direction and squeeze spray gun trigger, to release pressure and avoid kickback each time, before starting engine.
- When starting engine, pull cord slowly until resistance is felt and then pull rapidly to avoid kickback.
- After each starting attempt, where engine fails to run, always point gun in safe direction and squeeze spray gun trigger to release high pressure.

**NOTE:** Always keep the throttle lever in the “Fast” position when operating the pressure washer.

**CAUTION**



Avoid fire from equipment tip over.

- Always use handle to lift equipment.
- NEVER pull on hoses to move equipment.

**WARNING**



Running engines produce heat. Temperature of muffler and nearby areas can reach or exceed 150°F (65°C).



Severe burns can occur on contact. Exhaust heat/gases can ignite combustibles, structures or damage fuel tank causing a fire.

- DO NOT touch hot surfaces and avoid hot exhaust gases.
- Allow equipment to cool before touching.
- Keep at least 5 ft. (152 cm) clearance on all sides of pressure washer including overhead.
- Code of Federal Regulation (CFR) Title 36 Parks, Forests, and Public Property require equipment powered by an internal combustion engine to have a spark arrester, maintained in effective working order, complying to USDA Forest service standard 5100-1C or later revision. In the State of California a spark arrester is required under section 4442 of the California Public resources code. Other states may have similar laws.

**How to Stop Your Pressure Washer**

1. Let engine idle for two minutes.
2. Move throttle lever on engine to “Stop” position.
3. ALWAYS point gun in a safe direction and squeeze spray gun trigger to release retained high water pressure.



## WARNING



The high pressure stream of water that this equipment produces can pierce skin and its underlying tissues, leading to serious injury and possible amputation. Spray gun traps high water pressure, even when engine is stopped and water is disconnected, which can cause injury.

- Keep high pressure hose connected to pump and spray gun while system is pressurized.
- ALWAYS point gun in safe direction and squeeze spray gun trigger, to release high pressure, every time you stop engine. Engage trigger lock when not in use.

4. Engage trigger lock on spray gun when not in use.

## How to Use Spray Tips

The quick-connect on the nozzle extension allows you to switch between four different spray tips. The spray tips vary the spray pattern as shown below.

## CAUTION

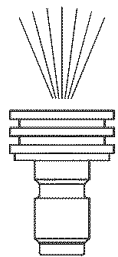
A pressure washer produces a high pressure spray which increases risk of injury and damage to unit.

- NEVER exchange spray tips without locking the trigger lock on the trigger.

### Follow these instructions to change spray tips:

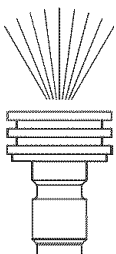
1. Engage trigger lock on spray gun.
2. Pull back collar on quick-connect and pull current spray tip off. Store spray tips in holder provided on the nozzle extension.
3. Select desired spray tip:
  - For gentle rinse, select white 40° spray tip.
  - To scour surface, select yellow 15° or red 0° spray tip.
  - To apply chemical, select black spray tip.

### Low Pressure

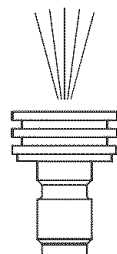


Black  
Use to apply  
chemical

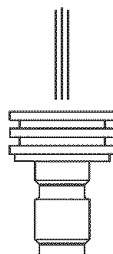
### High Pressure



40° White



15° Yellow



0° Red

## Usage Tips

- Pull back on collar, insert new spray tip and release collar. Tug on spray tip to make sure it is securely in place.
- For most effective cleaning, keep spray tip from 8 to 24 inches away from cleaning surface. If you get spray tip too close, you may damage cleaning surface.
- DO NOT get closer than 6 inches when cleaning tires.

## How to Use the Turbo Nozzle

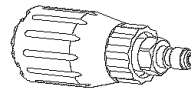
The turbo nozzle rotates the high pressure stream in a rapid circular pattern. Always start the turbo nozzle at a distance, gradually getting closer to the surface until you get the cleaning force you want.

## CAUTION

The turbo nozzle produces an extremely high pressure spray which is capable of removing paint and cutting holes through surfaces if held too close.

- Always make sure the surface you will clean will not be damaged by the high pressure spray by testing in a hidden area.

1. Pull back collar on quick-connect and pull current spray tip off. Store spray tips in holder provided on the nozzle extension.
2. Pull back on collar, insert turbo nozzle and release collar. Tug on turbo nozzle to make sure it is securely in place.



3. For most effective cleaning, keep turbo nozzle from 8 to 24 inches away from cleaning surface. If you get turbo nozzle too close, you may damage cleaning surface.

**NOTE:** Detergent cannot be applied with the turbo nozzle.

## Cleaning and Applying Chemical

**IMPORTANT:** Use chemicals designed specifically for pressure washers. Household detergents could damage the pump.

## CAUTION

You must attach all hoses before you start the engine.

- Starting the engine without all the hoses connected and without the water turned ON will damage the pump.
- Damage to equipment resulting from failure to follow this instruction will void warranty.

1. Review spray tip use.
2. Prepare detergent solution as required by manufacturer.

3. Place filter end of detergent siphoning tube into detergent container.

### CAUTION

Keep the chemical injection tube from coming in contact with the hot muffler.

- When inserting the filter into a detergent solution bottle, route the tube so as to keep it from inadvertently contacting the hot muffler.

4. Make sure black spray tip is installed.

**NOTE:** Detergent cannot be applied with the high pressure spray tips (White, Yellow, or Red).

5. Make sure garden hose is connected to water inlet. Check that high pressure hose is connected to spray gun and pump and start engine.
6. Apply detergent to a dry surface, starting at lower portion of area to be washed and work upward, using long, even, overlapping strokes.
7. Allow detergent to soak in between 3–5 minutes before washing and rinsing. Reapply as needed to prevent surface from drying. **DO NOT** allow detergent to dry on (prevents streaking).

**IMPORTANT:** You must flush the chemical injection system after each use by placing the filter into a bucket of clean water, then run the pressure washer in low pressure for 1-2 minutes.

### Pressure Washer Rinsing

#### For Rinsing:

1. Apply trigger lock to spray gun.
2. Remove black spray tip from nozzle extension.
3. Select and install desired high pressure spray tip following instructions in "How to Use Spray Tips".

4. Keep spray gun a safe distance from the area you plan to spray.



### WARNING



High pressure spray could cause you to fall if you are too close to the cleaning surface.

- Keep spray nozzle between 8 to 24 inches away from cleaning surface.
  - Operate this unit on a stable surface.
  - Be extremely careful if you must use the pressure washer from a ladder, scaffolding or any other relatively unstable location.
  - Firmly grasp spray gun with both hands when using high pressure spray to avoid injury if gun kicks back.
5. Apply a high pressure spray to a small area and then check the surface for damage. If no damage is found, you can assume it is okay to continue rinsing.
  6. Start at top of area to be rinsed, working down with same overlapping strokes as you used for cleaning.

### Cleaning Detergent Siphoning Tube

If you used the detergent siphoning tube, you must flush it with clean water before stopping the engine.

1. Place chemical injection siphon/filter in a bucket full of clean water.
2. Attach black spray tip.
3. Flush for 1-2 minutes.
4. Shut off engine.

**IMPORTANT:** Simply shutting **OFF** engine will not release pressure in the system. **When the engine has shut down, squeeze the trigger on the spray gun to relieve the pressure in the hose.**

### Automatic Cool Down System (Thermal Relief)

If you run the engine on your pressure washer for 3-5 minutes without pressing the trigger on the spray gun, circulating water in the pump can reach temperatures above 125°F. The system engages to cool the pump by **discharging the warm water onto the ground.**

# SPECIFICATIONS

## ENGINE TECHNICAL INFORMATION

This is a single cylinder, L-head, air cooled engine. It is a low emissions engine.

In the State of California, Model Series 100000 engines are certified by the California Air Resources Board to meet emissions standards for 125 hours. Such certification does not grant the purchaser, owner or operator of this engine any additional warranties with respect to the performance or operational life of this engine. The engine is warranted solely according to the product and emissions warranties stated elsewhere in this manual.

### Power Ratings

The power ratings for an individual engine model are initially developed by starting with SAE (Society of Automotive Engineers) code J1940 (Small Engine Power & Torque Rating Procedure) (Revision 2002-05). Given both the wide array of products on which our engines are placed, and the variety of environmental issues applicable to operating the equipment, it may be that the engine you have purchased will not develop the rated horsepower when used in a piece of power equipment (actual "on-site" power). This difference is due to a variety of factors including, but not limited to, the following: differences in altitude, temperature, barometric pressure, humidity, fuel, engine lubrication, maximum governed engine speed, individual engine to engine variability, design of the particular piece of power equipment, the manner in which the engine is operated, engine run-in to reduce friction and clean out of combustion chambers, adjustments to the valves and carburetor, and other factors. The power ratings may also be adjusted based on comparisons to other similar engines utilized in similar applications, and will therefore not necessarily match the values derived using the foregoing codes.

## PRODUCT SPECIFICATIONS

### Pressure Washer Specifications

Pressure . . . . . 2,200 PSI  
Flow Rate . . . . . 1.9 GPM  
Chemical Mix. . . . . Use as directed  
Water Supply Temperature . . . . . Not to exceed 100°F  
Shipping Weight . . . . . 63 lbs.

### Engine Specifications

Rated Horsepower . . . . . 4.5 at 3600 rpm  
Bore . . . . . 2.562 in. (65.09 mm)  
Stroke . . . . . 1.875 in. (47.63 mm)  
Displacement . . . . . 9.67 in. (158.6 cc)  
Spark Plug  
Type: . . . . . Champion RJ-19LM or Equivalent  
Set Gap To: . . . . . 0.030inch (0.76mm)  
Armature Air Gap: . . . . . 0.006-0.010 in.  
(0.15-0.25mm)  
Valve clearance with valve springs installed and piston 1/4 in. (6 mm) past top dead center (check when engine is cold).  
Intake . . . . . 0.005-0.007 in.  
(0.13-0.18 mm)  
Exhaust . . . . . 0.007-0.009 in.  
(0.18-0.23 mm)  
Fuel Capacity . . . . . 1.0 Quarts  
Oil Capacity . . . . . 20 Ounces  
Oil Type:  
Above 40° F . . . . . SAE 30  
Below 40° F . . . . . SAE 5W-30 or 10W-30

**NOTE:** For practical operation, the horsepower loading should not exceed 85% of rated horsepower. Engine power will decrease 3-1/2% for each 1,000 feet (300 meters) above sea level and 1% for each 10° F (5.6° C) above 77° F (25° C). It will operate satisfactorily at an angle up to 15°.

# MAINTENANCE

## OWNER'S RESPONSIBILITIES

Follow the hourly or calendar intervals, whichever occurs first.

More frequent service is required when operating in adverse conditions noted below.

MAINTENANCE SCHEDULE FILL IN DATES AS YOU COMPLETE REGULAR SERVICE	OPERATING INTERVALS					SERVICE DATES		
	Before Each Use	Every 25 Hours or Yearly	Every 50 Hours or Yearly	Every 100 Hours or Yearly	100-300 Hours			
<b>PRESSURE WASHER</b>								
Check/clean water inlet screen	X <sup>1</sup>							
Check high pressure hose	X							
Check detergent hose	X							
Check spray gun and assembly for leaks	X							
Purge pump of air and contaminants	X							
Change pump oil			X					
Prepare pump for storage below 32°F	See Storage on pages 19-20.							
<b>ENGINE</b>								
Check oil level	X							
Clean debris	X							
Change engine oil			X <sup>2</sup>					
Service air cleaner		X <sup>3</sup>						
Service spark plug				X				
Service spark arrester			X					
Clean cooling system				X <sup>3</sup>				
Clean combustion chamber					X			
Prepare for storage	If unit is to remain idle for longer than 30 days.							

<sup>1</sup> Clean if clogged. Replace if perforated or torn.

<sup>2</sup> Change oil after the first (5) operating hours and every 50 hours or yearly thereafter.  
Change sooner when operating under dirty or dusty conditions.

<sup>3</sup> Replace more often under dirty or dusty conditions.

## GENERAL RECOMMENDATIONS

Regular maintenance will improve the performance and extend the life of the pressure washer. See any authorized Sears dealer for service.

The pressure washer warranty does not cover items that have been subjected to operator abuse or negligence. To receive full value from the warranty, the operator must maintain pressure washer as instructed in this manual including proper storage as detailed in "Storage" on pages 19-20.

Some adjustments will need to be made periodically to properly maintain your pressure washer.

All service and adjustments should be made at least once each season. Follow the requirements in the "Maintenance Schedule" chart above.

**NOTE:** Once a year you should clean or replace the spark plug and replace the air filter. A new spark plug and clean air filter assure proper fuel-air mixture and help your engine run better and last longer.

## EMISSION CONTROL

Maintenance, replacement or repair of the emission control devices and systems may be performed by any non-road engine repair establishment or individual.

## BEFORE EACH USE

1. Check engine oil level.
2. Check water inlet screen for damage.
3. Check in-line filter for debris.
4. Check high pressure hose for leaks.
5. Check chemical filters for damage.
6. Check gun and nozzle extension assembly for leaks.
7. Purge pump of air and contaminants.

## PRESSURE WASHER MAINTENANCE

### Clean Debris

Daily or before use, clean accumulated debris from pressure washer. Keep linkage, spring and controls clean. Keep area around and behind muffler free from any combustible debris.

Pressure washer parts should be kept clean to reduce the risk of overheating and ignition of accumulated debris.

### CAUTION

Improper treatment of pressure washer can damage it and shorten its life.

- DO NOT insert any objects through cooling slots.
- Use a damp cloth to wipe exterior surfaces clean.
- Use a soft bristle brush to loosen caked on dirt, oil, etc.
- Use a vacuum cleaner to pick up loose dirt and debris.
- Use low pressure air (not to exceed 25 psi) to blow away dirt. Inspect cooling air slots and openings on the pressure washer. These openings must be kept clean and unobstructed.

### Check and Clean Inlet Screen

Examine garden hose inlet screen. Clean if it is clogged or replace if it is torn.

### Check High Pressure Hose

High pressure hoses can develop leaks from wear, kinking, or abuse. Inspect hose before each use. Check for cuts, leaks, abrasions, bulging of cover, or damage or movement of couplings. If any of these conditions exist, replace hose immediately.



### WARNING



The high pressure stream of water that this equipment produces can pierce skin and its underlying tissues, leading to serious injury and possible amputation.

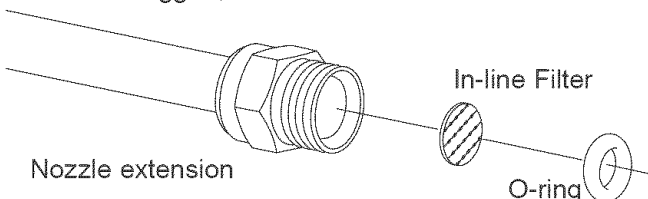
- NEVER repair high pressure hose. Replace it.
- Replacement hose rating MUST exceed maximum pressure rating of unit.

### Check Gun and Nozzle Extension

Examine hose connection to gun and make sure it is secure. Test trigger by pressing it and making sure it springs back into place when you release it. Engage trigger lock and test trigger. You should not be able to press trigger. Replace gun immediately if it fails any of these tests.

### Check In-Line Filter

Refer to the illustration and service the in-line filter if it becomes clogged, as follows:



1. Detach nozzle extension from gun and remove o-ring and screen from nozzle extension. Flush screen, gun, and nozzle extension with clean water to clear debris.

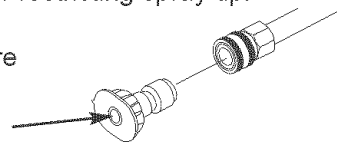
2. Place in-line filter screen into threaded end of nozzle extension. Direction does not matter. Push screen in with eraser end of pencil until it rests flat at bottom of opening. Take care not to bend screen.
3. Place o-ring into recess. Push o-ring snugly against in-line filter screen.
4. Assemble nozzle extension to spray gun, as described earlier in manual.

### Nozzle Maintenance

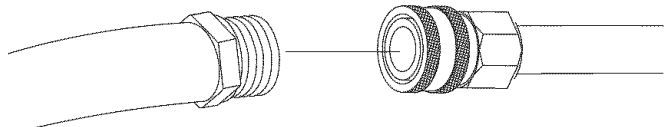
A pulsing sensation felt while squeezing the spray gun trigger may be caused by excessive pump pressure. The principal cause of excessive pump pressure is a spray tip clogged or restricted with foreign materials, such as dirt, etc. To correct the problem, immediately clean the spray tip following these instructions:

1. Shut off engine and turn off water supply.
2. Remove spray tip from end of nozzle extension.
3. Remove in-line filter from other end of nozzle extension.
4. Use a small paper clip to free any foreign material clogging or restricting spray tip.

Use wire here to remove debris.



5. Using a garden hose, remove additional debris by back flushing water through nozzle extension. Back flush between 30 to 60 seconds.



6. Reinstall spray tip and in-line filter into nozzle extension.
7. Reconnect nozzle extension to spray gun.
8. Reconnect water supply, turn on water, and start engine.
9. Test pressure washer by operating with each quick connect spray tips.

### O-Ring Maintenance

Purchase an O-Ring Repair Kit at your local Sears service center. It is not included with the pressure washer. This kit includes replacement o-rings, rubber washer and water inlet filter. Refer to the instruction sheet provided in the kit to service your unit's o-rings.



### WARNING



The high pressure stream of water that this equipment produces can pierce skin and its underlying tissues, leading to serious injury and possible amputation.

- NEVER repair leaking connections with sealant of any kind. Replace o-ring or seal.

## Pump Maintenance

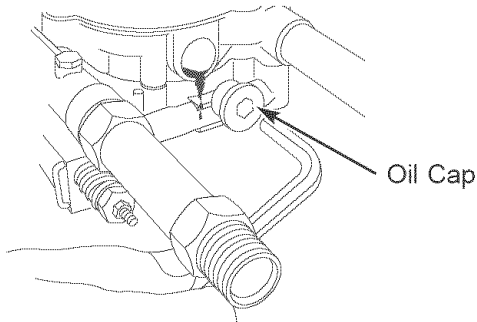
### Changing Pump Oil

Change oil every 50 hours or once yearly, whichever occurs first.

**NOTE:** You must purchase an approved bottle of pump oil at your local Sears service center.




#### Change pump oil as follows:

1. Drain engine oil and fuel from pressure washer.
2. Use a 8mm allen wrench to remove black pump oil cap between high pressure outlet and garden hose inlet.



3. Tilt pressure washer to drain oil into an approved container until it drips slowly from pump.
4. Tilt pressure washer in opposite direction and empty premeasured pump oil bottle into same opening (a small funnel may be helpful).
5. Install black pump oil cap and tighten firmly.
6. Set pressure washer in upright position. Add fuel and engine oil.

## ENGINE MAINTENANCE

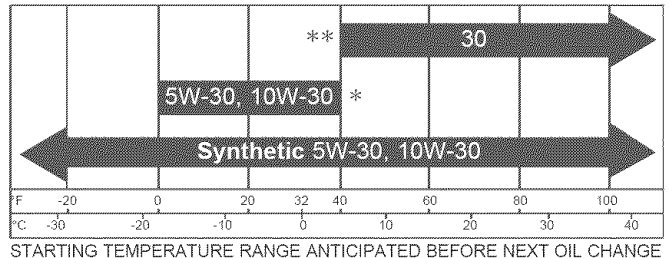
 <b>WARNING</b>	
	Unintentional sparking can result in fire or electric shock.
	
<b>WHEN ADJUSTING OR MAKING REPAIRS TO YOUR PRESSURE WASHER</b>	
<ul style="list-style-type: none"> <li>• Disconnect the spark plug wire from the spark plug and place the wire where it cannot contact spark plug.</li> </ul>	
<b>WHEN TESTING FOR ENGINE SPARK</b>	
<ul style="list-style-type: none"> <li>• Use approved spark plug tester.</li> <li>• DO NOT check for spark with spark plug removed.</li> </ul>	

## Oil

### Oil Recommendations

**NOTE:** When adding oil to the engine crankcase, use only high quality detergent oil rated with API service classification SF, SG, SH, SJ or higher. DO NOT use special additives.

1. Choose a viscosity according to the following table:



**NOTE:** Synthetic oil meeting ILSAC GF-2, API certification mark and API service symbol with "SJ/CF ENERGY CONSERVING" or higher, is an acceptable oil at all temperatures. Use of synthetic oil does not alter required oil change intervals.

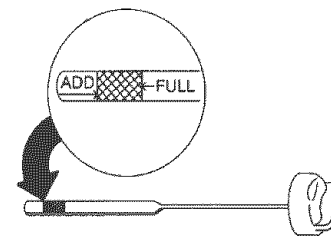
\* The use of multi-viscosity oils (5W-30, 10W-30, etc.) in temperatures above 40°F (4°C) will result in higher than normal oil consumption. When using a multi-viscosity oil, check oil more frequently.

\*\* If using SAE 30 oil in temperatures below 40°F (4°C), it will result in hard starting and possible engine bore damage due to inadequate lubrication.

### Checking Oil Level

Oil level should be checked prior to each use or at least every 5 hours of operation. Keep oil level maintained.

1. Make sure pressure washer is on a level surface.
2. Remove oil dipstick and wipe dipstick with clean cloth. Replace and tighten dipstick. Remove and check oil level.
3. Verify oil is at "Full" mark on dipstick. Replace and tighten dipstick.



### Adding Engine Oil

1. Make sure pressure washer is on a level surface.
2. Check oil level as described in "Checking Oil Level".
3. If needed, slowly pour oil into oil fill opening to the "Full" mark on dipstick. DO NOT overfill.
4. Replace and tighten dipstick.



## Changing Engine Oil

Change engine oil after the first 5 hours and every 50 hours thereafter. If you are using your pressure washer under extremely dirty or dusty conditions, or in extremely hot weather, change oil more often.



### CAUTION

Avoid prolonged or repeated skin contact with used motor oil.

- Used motor oil has been shown to cause skin cancer in certain laboratory animals.
- Thoroughly wash exposed areas with soap and water.



KEEP OUT OF REACH OF CHILDREN.  
DON'T POLLUTE. CONSERVE  
RESOURCES. RETURN USED OIL TO  
COLLECTION CENTERS.

Change oil while engine is still warm from running, as follows:

1. Drain fuel tank by running pressure washer until fuel tank is empty.
2. Disconnect spark plug wire and keep it away from spark plug.
3. Clean area around oil fill, remove oil fill cap/dipstick. Wipe dipstick clean.
4. Tip your pressure washer to drain oil from oil fill into a suitable container making sure you tip your unit away from spark plug. When crankcase is empty, return pressure washer to upright position.
5. Slowly pour recommended oil (about 20 oz.) into oil fill opening. Pause to permit oil to settle. Fill to "Full" mark on dipstick.
6. Wipe dipstick clean each time oil level is checked. DO NOT overfill.
7. Replace and tighten dipstick.
8. Wipe up any remaining oil.
9. Reconnect spark plug wire to spark plug.

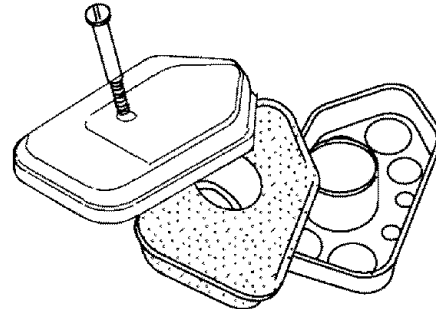
## Service Air Cleaner

Your engine will not run properly and may be damaged if you run it with a dirty air cleaner.

Service the air cleaner once every 25 hours of operation or once each year, whichever comes first. Service more often if operating under dirty or dusty conditions. Replacements are available at your local Sears service center.

To service the air cleaner, follow these steps:

1. Remove screw.
2. Carefully remove air cleaner assembly to prevent debris from falling into carburetor.

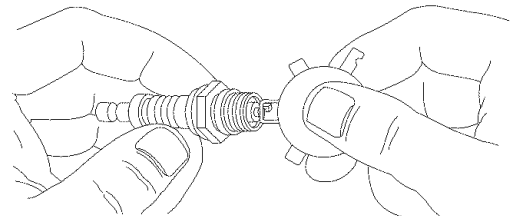


3. Take air cleaner assembly apart and clean all parts. Wash foam air cleaner in liquid detergent and water. Squeeze dry in a clean cloth.
4. SATURATE foam air cleaner in engine oil and squeeze in a clean cloth to remove excess oil.
5. Reinstall clean or new foam air cleaner in body.
6. Install air cleaner securely on carburetor with screw.

## Service Spark Plug

Service the spark plug every 100 hours of operation or yearly, whichever occurs first.

1. Clean area around spark plug.
2. Remove and inspect spark plug.
3. Replace spark plug with recommended plug if electrodes are worn or if insulator is cracked or chipped.
4. Check electrode gap with wire feeler gauge and set gap at 0.030 inches (0.76mm), if necessary.






5. Install spark plug, tighten securely.

## Spark Arrester Service

Your engine is not factory-equipped with a spark arrester. In some areas, it is illegal to operate an engine without a spark arrester. Check local laws and regulations. A spark arrester is available from your nearest Sears service center. If you need to order a spark arrester, contact your local Sears service center.

The spark arrester must be serviced every 50 hours to keep it functioning as designed.

If the engine has been running, the muffler will be very hot. Allow the muffler to cool before servicing spark arrester.

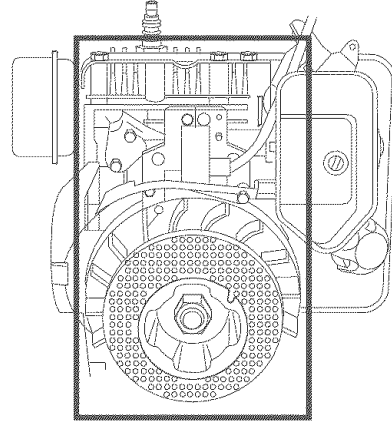
 <b>WARNING</b>	
	Running engines produce heat. Temperature of muffler and nearby areas can reach or exceed 150°F (65°C).
	Severe burns can occur on contact. Exhaust heat/gases can ignite combustibles, structures or damage fuel tank causing a fire.
<ul style="list-style-type: none"><li>• DO NOT touch hot surfaces and avoid hot exhaust gases.</li><li>• Allow equipment to cool before touching.</li><li>• Keep at least 5 ft. (152 cm) clearance on all sides of pressure washer including overhead.</li><li>• Code of Federal Regulation (CFR) Title 36 Parks, Forests, and Public Property require equipment powered by an internal combustion engine to have a spark arrester, maintained in effective working order, complying to USDA Forest service standard 5100-1C or later revision. In the State of California a spark arrester is required under section 4442 of the California Public resources code. Other states may have similar laws.</li></ul>	

- Remove spark arrester screen for cleaning and inspection.
- Replace if screen is damaged.

## Air Cooling System

Over time debris may accumulate in cylinder cooling fins and cannot be observed without partial engine disassembly. For this reason, we recommend you have an authorized Sears service dealer clean the cooling system per recommended intervals (see "Maintenance Schedule" on page 14). Equally important is to keep top of engine free from debris. See "Clean Debris".

Keep areas within heavy line clear of debris.



## Clean Combustion Chamber

We recommend you have an authorized Sears service dealer remove combustion deposits from the cylinder, cylinder head, top of piston and around valves per recommended intervals (see "Maintenance Schedule" on page 14).

# STORAGE

## AFTER EACH USE

Water should not remain in the unit for long periods of time. Sediments or minerals can deposit on pump parts and “freeze” pump action. Follow these procedures after every use:

1. Flush detergent siphoning tube by placing the filter into a pail of clean water while running pressure washer in low pressure mode. Flush for one to two minutes.
2. Shut off engine, let it cool, then remove all hoses.
3. Disconnect spark plug wire from spark plug.
4. Empty pump of all liquids by pulling recoil handle about 6 times. This should remove most liquid in pump.
5. If storing for more than 30 days see “Long Term Storage” on next page.
6. Coil high pressure hose and inspect it for damage. Cuts in hose or fraying could result in leaks and loss of pressure. Should any damage be found, replace hose. DO NOT attempt to repair a damaged hose. Replace hose with genuine Sears part.
7. Disconnect hose from spray gun and high pressure outlet on pump. Drain water from hose, gun, and nozzle extension. Use a rag to wipe off hose.
8. Reconnect spark plug wire to spark plug.
9. Store unit in a clean, dry area.



### WARNING



Fuel and its vapors are extremely flammable and explosive.



Fire or explosion can cause severe burns or death.

#### WHEN STORING FUEL OR EQUIPMENT WITH FUEL IN TANK

- Store away from furnaces, stoves, water heaters, clothes dryers or other appliances that have pilot light or other ignition source because they can ignite fuel vapors.

#### WHEN DRAINING FUEL

- Turn pressure washer OFF and let it cool at least 2 minutes before removing fuel cap. Loosen cap slowly to relieve pressure in tank.
- Drain fuel tank outdoors.
- Keep fuel away from sparks, open flames, pilot lights, heat, and other ignition sources.
- DO NOT light a cigarette or smoke.

## WINTER STORAGE

### CAUTION

You must protect your unit from freezing temperatures.

- Failure to do so will permanently damage your pump and render your unit inoperable.
- Freeze damage is not covered under warranty.

#### To protect the unit from freezing temperatures:

1. Flush detergent siphoning tube by placing filter into a pail of clean water while running pressure washer in low pressure mode. Flush for one to two minutes.
2. Empty pump of all pumped liquids by pulling recoil handle about 6 times. This should remove most liquid in pump.
3. Use pump saver, available at a local Sears service center, to treat pump. This minimizes freeze damage and lubricates pistons and seals.
4. If pump saver is not available, connect a 3-foot section of garden hose to water inlet adapter. Pour RV-antifreeze (antifreeze without alcohol) into hose. Pull recoil handle twice. Disconnect 3-foot hose.

## LONG TERM STORAGE

If you do not plan to use the pressure washer for more than 30 days, you must prepare the engine and pump for long term storage.

It is important to prevent gum deposits from forming in essential fuel system parts such as the carburetor, fuel filter, fuel hose or tank during storage. Also, experience indicates that alcohol-blended fuels (called gasohol, ethanol or methanol) can attract moisture, which leads to separation and formation of acids during storage. Acidic gas can damage the fuel system of an engine while in storage.

### Protect Fuel System

#### Fuel Additive:

If adding a fuel additive, fill the fuel tank with fresh fuel. If only partially filled, air in the tank will promote fuel deterioration during storage. Engine and fuel can be stored up to 24 months with additive.

- Add fuel additive following manufacturer's instructions.
- Make sure you have water supply to pump inlet connected and turned ON.
- Run the engine outdoors for 10 minutes to be sure that treated fuel has replaced the untreated fuel in the carburetor.

If fuel additive is not used, remove all fuel from tank and run engine until it stops from lack of fuel.

### Change Oil

While engine is still warm, drain oil from crankcase. Refill with recommended grade. See "Changing Oil" on page 17.

### Oil Cylinder Bore

- Remove spark plug. Squirt about 1/2 oz. of clean engine oil into the cylinder. Cover spark plug hole with rag. Pull recoil handle slowly to distribute oil. Avoid spray from spark plug hole.
- Install spark plug. DO NOT connect spark plug wire.

### Protect Pump

To protect the pump use Sears pump saver to prevent freeze damage and lubricate pistons and seals.

#### CAUTION

You must protect your unit from freezing temperatures.

- Failure to do so will permanently damage your pump and render your unit inoperable.
- Freeze damage is not covered under warranty.

**NOTE:** Sears pump saver is available as an optional accessory. It is not included with the pressure washer.



#### CAUTION

Read and follow all cautions and warnings on the PumpSaver can label.

- Always wear eye protection when using PumpSaver.

#### To use the pump saver:

1. Attach hose on pump saver can to pump inlet.
2. Push in can top to dispense pump saver.
3. When pump saver fluid begins to exit pump outlet, the pump is protected.
4. Remove pump saver from pump inlet.

#### OTHER

- DO NOT store fuel from one season to another.
- If possible, store your unit indoors and cover it to give protection from dust and dirt. **BE SURE TO EMPTY THE FUEL TANK.**



#### WARNING



Storage covers can be flammable.

- DO NOT place a storage cover over a hot pressure washer.
- Let equipment cool for a sufficient time before placing the cover on the equipment.

# TROUBLESHOOTING

Problem	Cause	Correction
<p><b>Pump has following problems: failure to produce pressure, erratic pressure, chattering, loss of pressure, low water volume.</b></p>	<ol style="list-style-type: none"> <li>1. Low pressure spray tip installed.</li> <li>2. Water inlet is blocked.</li> <li>3. Inadequate water supply.</li> <li>4. Inlet hose is kinked or leaking.</li> <li>5. Clogged inlet hose strainer.</li> <li>6. Water supply is over 100°F.</li> <li>7. High pressure hose is blocked or leaks.</li> <li>8. Gun leaks.</li> <li>9. Spray tip is obstructed.</li> <li>10. Pump is faulty.</li> </ol>	<ol style="list-style-type: none"> <li>1. Replace spray tip with high pressure spray tip.</li> <li>2. Clear inlet.</li> <li>3. Provide adequate water flow.</li> <li>4. Straighten inlet hose, patch leak.</li> <li>5. Check and clean inlet hose strainer.</li> <li>6. Provide cooler water supply.</li> <li>7. Clear blocks in outlet hose.</li> <li>8. Replace gun.</li> <li>9. Clean spray tip.</li> <li>10. Contact Sears service facility.</li> </ol>
<p><b>Detergent fails to mix with spray.</b></p>	<ol style="list-style-type: none"> <li>1. Detergent siphoning tube is not submerged.</li> <li>2. Chemical filter is clogged or cracked.</li> <li>3. Dirty in-line filter.</li> <li>4. High pressure spray tip installed.</li> </ol>	<ol style="list-style-type: none"> <li>1. Insert detergent siphoning tube into detergent.</li> <li>2. Clean or replace filter/detergent siphoning tube.</li> <li>3. See "Check In-Line Filter".</li> <li>4. Replace spray tip with low pressure spray tip.</li> </ol>
<p><b>Engine runs good at no-load but "bogs" when load is added.</b></p>	<p>Engine speed is too slow.</p>	<p>Move throttle control to FAST position. If engine still "bogs down", contact Sears service facility.</p>
<p><b>Engine will not start; or starts and runs rough.</b></p>	<ol style="list-style-type: none"> <li>1. Dirty air cleaner.</li> <li>2. Out of gasoline.</li> <li>3. Stale gasoline.</li> <li>4. Spark plug wire not connected to spark plug.</li> <li>5. Bad spark plug.</li> <li>6. Water in gasoline.</li> <li>7. Excessively rich fuel mixture.</li> <li>8. Intake valve stuck open or closed.</li> <li>9. Engine has lost compression.</li> </ol>	<ol style="list-style-type: none"> <li>1. Clean or replace air cleaner.</li> <li>2. Fill fuel tank.</li> <li>3. Drain gas tank; fill with fresh fuel.</li> <li>4. Connect wire to spark plug.</li> <li>5. Replace spark plug.</li> <li>6. Drain gas tank; fill with fresh fuel.</li> <li>7. Contact Sears service facility.</li> <li>8. Contact Sears service facility.</li> <li>9. Contact Sears service facility.</li> </ol>
<p><b>Engine shuts down during operation.</b></p>	<p>Out of gasoline.</p>	<p>Fill fuel tank.</p>
<p><b>Engine lacks power.</b></p>	<p>Dirty air filter.</p>	<p>Replace air filter.</p>

# NOTES



Get it fixed, at your home or ours!

Just Call:

**1-800-4-MY-HOME®**

(1-800-469-4663)

24 hours a day, 7 days a week

For the repair of major brand appliances **in your own home ...**  
no matter who made it, no matter who sold it!

For your nearest **Sears Parts & Service** location,  
to bring in products like vacuums, lawn equipment and electronics.

For **Sears Parts & Service**, to order the replacement parts,  
accessories and owner's manuals that you need to do-it-yourself.

[www.sears.ca](http://www.sears.ca)

---

To purchase or inquire about a Sears Maintenance Agreement, call:

**1-800-361-6665**

9 a.m. – 11 p.m. Mon. – Fri. EST, 9 a.m. – 4 p.m. Sat.

---

Pour service en français:

**1-800-LE-FOYER<sup>MC</sup>**

(1-800-533-6937)

[www.sears.ca](http://www.sears.ca)



®/™ Trademarks of Sears, Roebuck and Co. used under license by Sears Canada

® Marque déposée/ <sup>MC</sup> Marque de commerce de Sears, Roebuck and Co. utilisée en vertu d'une licence de Sears Canada

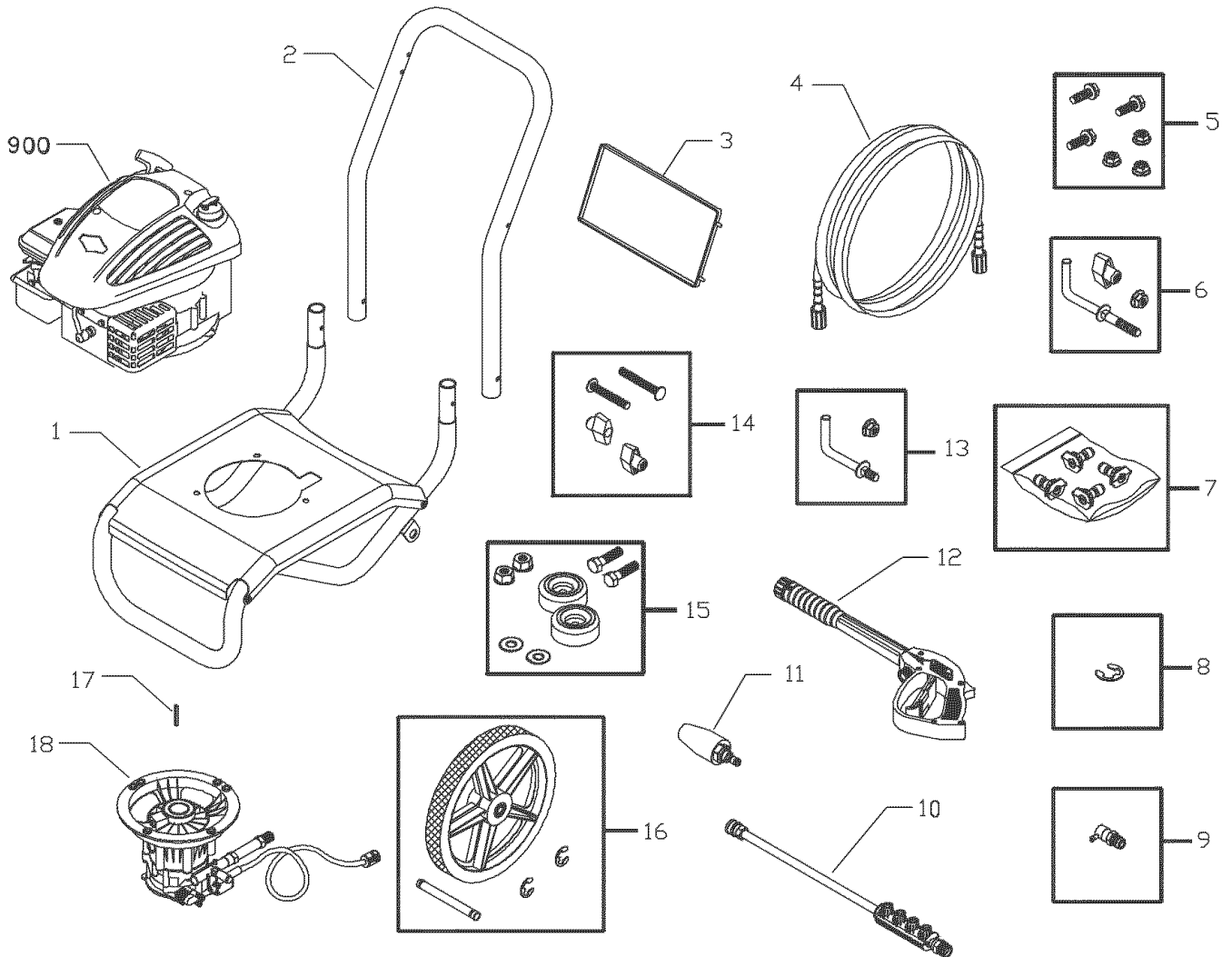
# PARTS

CRAFTSMAN 2,200 PSI Pressure Washer 580.676661

Nettoyeur à pression CRAFTSMAN de 2,200 psi 580.676661

Main Unit — Exploded View

Unité principale - Vue éclatée



# CRAFTSMAN 2,200 PSI Pressure Washer 580.676661

## Nettoyeur à pression CRAFTSMAN de 2,200 psi 580.676661

### Main Unit — Parts List

#### Unité principale - Liste des pièces

Item Article	Part # Pièce no.	Description Description	Item Article	Part # Pièce no.	Description Description
1	196614GS	ASSY, Base (ENSEMBLE, base)	18	197300GS	ASSY, Pump (see page 24) (ENSEMBLE, pompe (voir page 24))
2	R194718GS	HANDLE (POIGNÉE)	900	NSP	ENGINE (see pages 25-27) (MOTEUR (voir pages 25 à 27))
3	196252GS	ASSY, Billboard (ENSEMBLE, Panneau d'affichage)	<b>Items Not Illustrated</b> <b>Articles non illustrés</b>		
4	196138GS	HOSE (TUYAU)	<b>Part #</b>	<b>Description</b>	
5	192525GS	KIT, Pump Mounting Hardware (ENSEMBLE, quincaillerie de montage de la pompe)	<b>Pièce no.</b>	<b>Description</b>	
6	194264GS	KIT, Hook, Handle (ENSEMBLE, Crochet, Poignée)	197184GS	MANUAL, Owners (MANUEL d'utilisation)	
7	196278GS	KIT, Spray Tips (ENSEMBLE, Buses)	194256GS	KIT, Tag/Waring Srv (ENSEMBLE, Avertissement/Étiquette sécurité)	
8	192050GS	KIT, E-Ring (ENSEMBLE, Anneau en E)	192755GS	DECAL, Warning (DÉCALQUE, Avertissement)	
9	194298GS	VALVE, Thermal Relief (SOUPAPE DE SURPRESSION THERMIQUE)	AB3061BGS	OIL, Bottle, Engine (HUILE, bouteille, moteur)	
10	192199GS	ASSY, Extension (ENSEMBLE, Rallonge)	87815GS	GOGGLES (LUNETTES DE SÉCURITÉ)	
11	194236CGS	TURBO (TURBO)	195851ZZGS	NOZZLE, QC, Blk (BUSE, Raccord rapide, Noire)	
12	193482GS	GUN (PISTOLET)	195983AEGS	NOZZLE, QC, Red (BUSE, Raccord rapide, Rouge)	
13	192309GS	KIT, Hook, Base (ENSEMBLE, Crochet, Base)	195983AFGS	NOZZLE, QC, Yellow (BUSE, Raccord rapide, Jaune)	
14	B2203GS	KIT, Handle Connector (ENSEMBLE, Poignée, Connecteur)	195983AHGS	NOZZLE, QC, White (BUSE, Raccord rapide, Blanche)	
15	192310GS	KIT, Vibration Mount (ENSEMBLE, Montant antivibratile)			
16	196439GS	KIT, Wheel (ENSEMBLE, Roue)			
17	23139GS	KEY (CLÉ)			

#### Optional Accessories Not Illustrated

##### Accessoires en option non illustrés

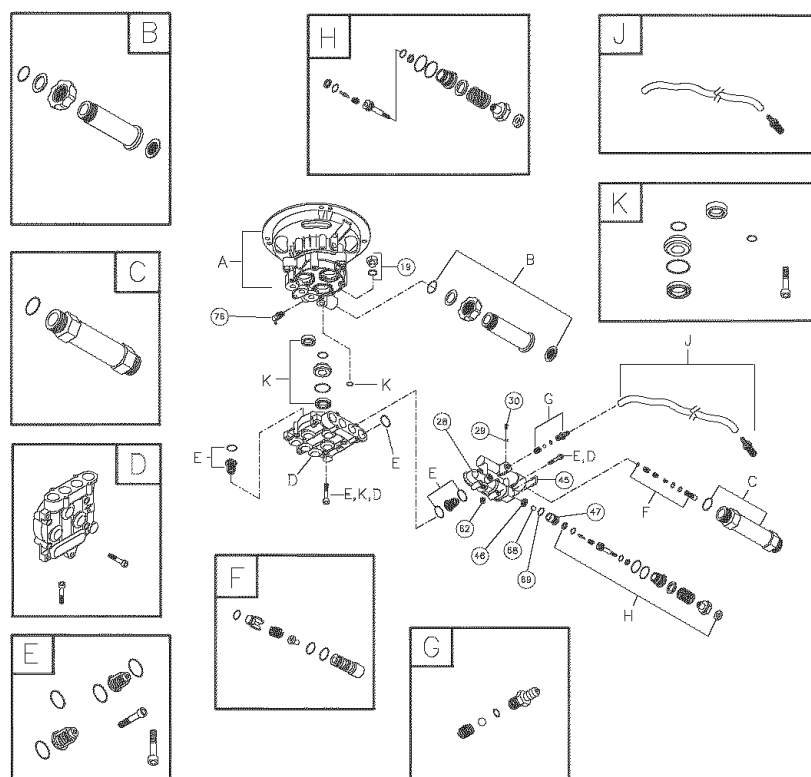
191922GS	KIT, Maintenance, O-Ring (ENSEMBLE, entretien, joint torique)
7167300GS	House Wash Concentrate (makes 4 gallons) (Concentré de nettoyant ménager (produit 15 litres))
7167301GS	Deck Wash Concentrate (makes 2 gallons) (Concentré de nettoyant de pont (produit 7,5 litres))
7167302GS	Vehicle/Boat Wash Concentrate (makes 4 gallons) (Concentré de nettoyant de véhicule/bateau (produit 15 litres))
7167303GS	Degreaser Concentrate (makes 4 gallons) (Concentré de dégraissant (produit 15 litres))

# CRAFTSMAN 2,200 PSI Pressure Washer 580.676661

## Nettoyeur à haute pression CRAFTSMAN de 2,200 psi 580.676661

### Pump — Exploded View and Parts List

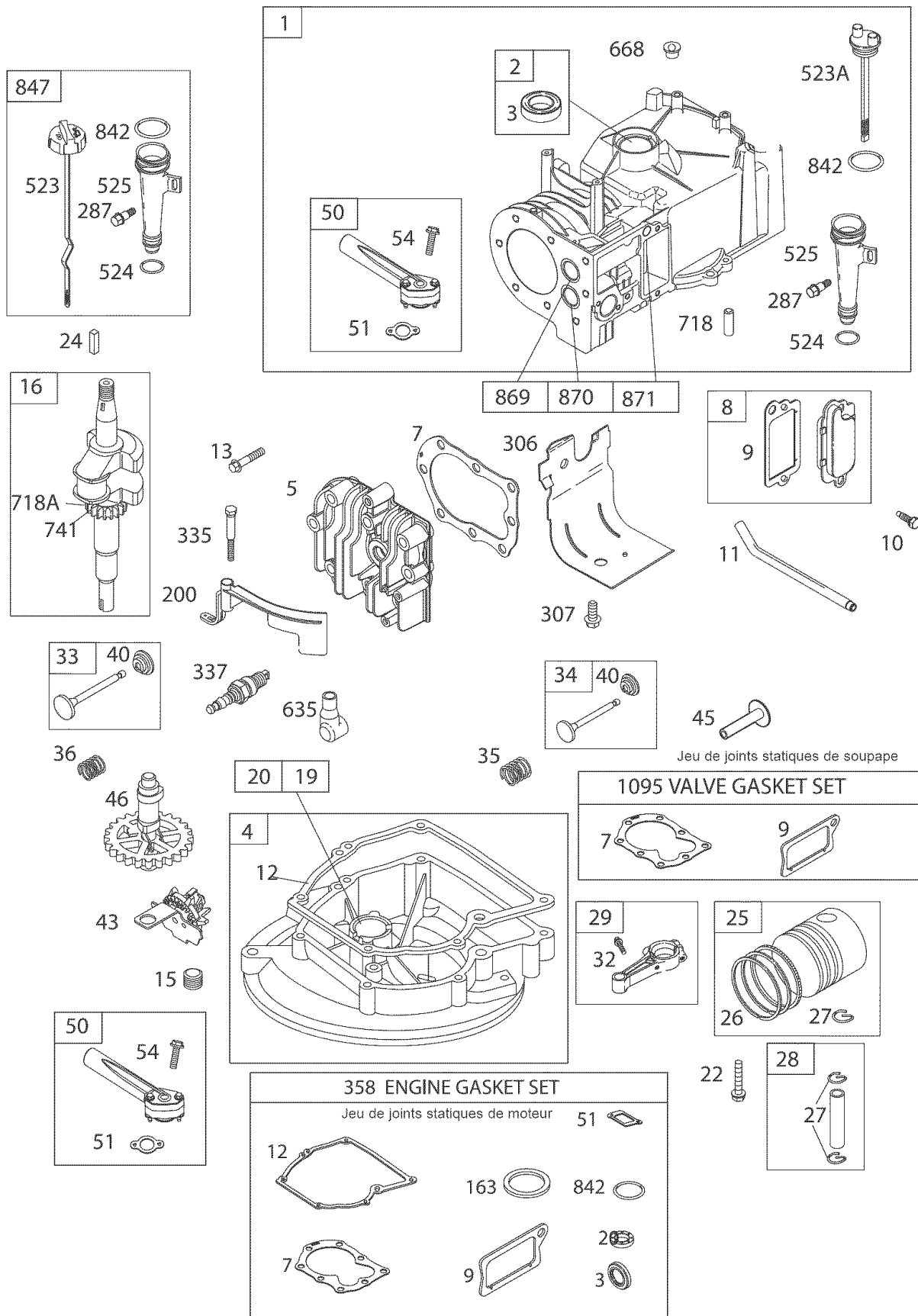
### Pompe — Vue éclatée et liste des pièces



Item Article	Part # Pièce no.	Description Description	Item Article	Part # Pièce no.	Description Description
19	190571GS	CAP, Oil (BOUCHON, huile)	E	197308GS	KIT,CHECK VALVES (ENSEMBLE, CLAPETS DE RETENUE)
28	190627GS	MANIFOLD (COLLECTEUR)	F	190592GS	KIT, INLET CHECK (ENSEMBLE, RETENUE D'ENTRÉE)
29	190575GS	O-RING (JOINT TORIQUE)	G	190593GS	KIT, CHEMICAL INJECTION (ENSEMBLE, INJECTION DE PRODUITS CHIMIQUES)
30	198105GS	SCREW (VIS)	H	190628GS	KIT, UNLOADER STEM (ENSEMBLE, TIGE DE DÉCHARGE)
45	190578GS	PIN (TIGE)	J	189971GS	KIT, CHEMICAL HOSE (ENSEMBLE, TUYAU DE PRODUITS CHIMIQUES)
46	190629GS	VALVE, Seat Plate, Plastic (SOUPAPE, Assise du siège de, en plastique)	K	197309GS	KIT, SEAL SET (ENSEMBLE, JEU DE JOINTS)
47	190630GS	VALVE, Seat, Plastic (SOUPAPE, Siège de, en plastique)	<b>NOTE:</b> Item letters B - K are service kits and include all parts shown within the box.		
62	190581GS	CAP (BOUCHON)	<b>REMARQUE:</b> Les articles B à K sont des ensembles de remplacement et incluent toutes les pièces illustrées dans l'encadré correspondant.		
68	190582GS	BALL, SS (BILLE, Acier inoxydable)	<b>Items Not Illustrated</b>		
69	190584GS	O-RING (JOINT TORIQUE)	<b>Articles non illustrés</b>		
76	194298GS	THERMAL RELIEF (SOUPAPE DE SURPRESSION THERMIQUE)	190586GS		OIL, Pump (HUILE, pompe)
A	NSP	ASSY, CASE, PISTON (order complete pump assy, 197300GS) (ENSEMBLE, BOÎTIER, PISTON (no. de commande de l'ensemble pompe complet, 197300GS))	B2384GS		FILTER, Inlet (Filtre, l'Arrivée)
B	190632GS	KIT, WATER INLET, ALUM (ENSEMBLE, ARRIVÉE D'EAU, ALUMINIUM)	186452GS		FILTER, Inlet, Bag of 10 (Filtre, l'Arrivée, Sac de 10)
C	190634GS	KIT, OUTLET, ALUM (ENSEMBLE, SORTIE, ALUMINIUM)			
L	198106GS	HEAD, ALUM (ENSEMBLE, TÊTE)			

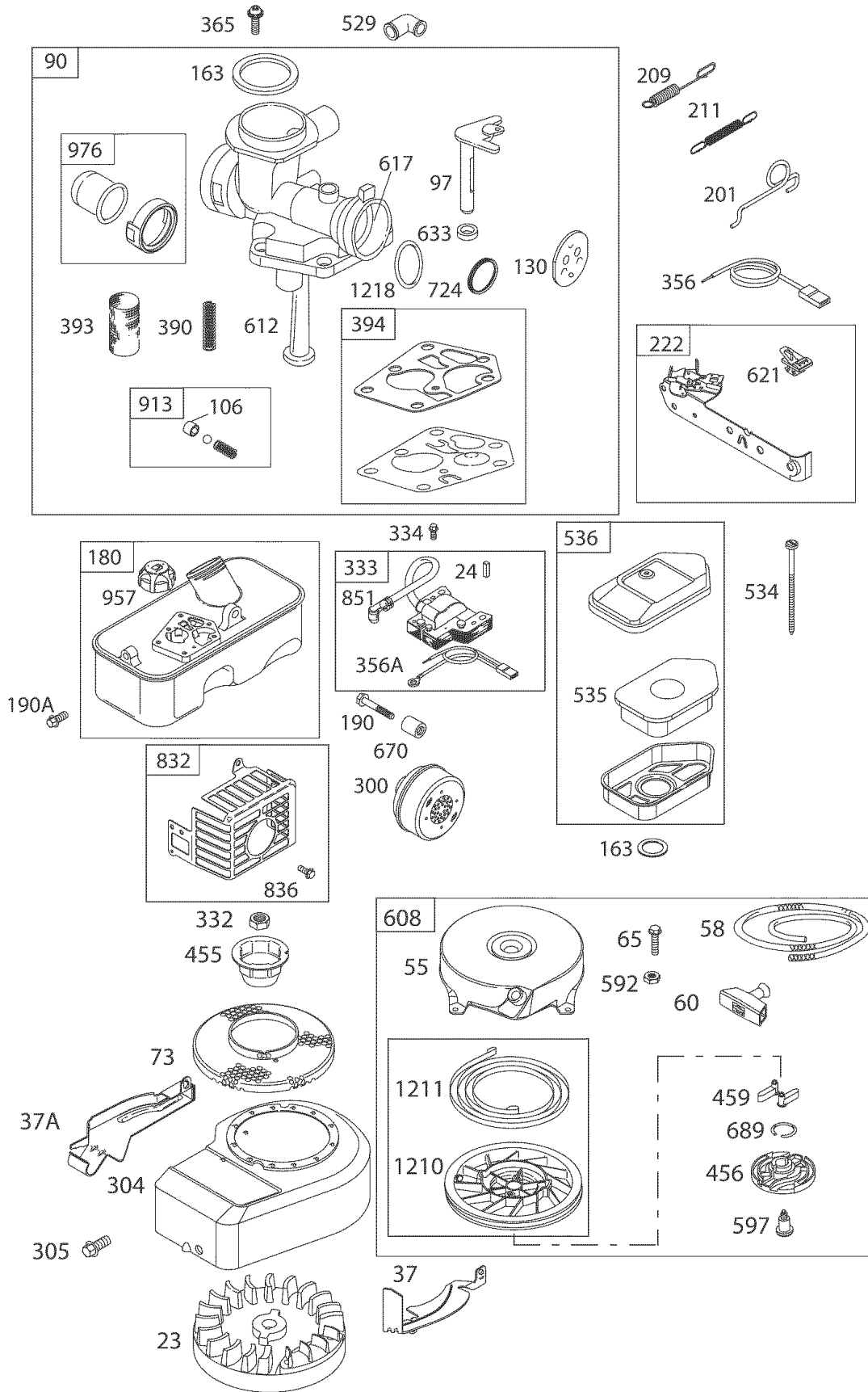
**ENGINE, 4.5 HP, Briggs and Stratton, 10H902 – Exploded View**

**MOTEUR, 4,5 HP, Briggs & Stratton, 10H902 - Vue éclatée**



ENGINE, 4.5 HP, Briggs and Stratton, 10H902 – Exploded View

MOTEUR, 4,5 HP, Briggs & Stratton, 10H902 - Vue éclatée





## ENGINE, 4.5 HP, Briggs and Stratton, 10H902 – Parts List

## MOTEUR, 4,5 HP, Briggs & Stratton, 10H902 - Nomenclature de pièces

Item Article	Part # Pièce no.	Description Description	Item Article	Part # Pièce no.	Description Description
1	699653	Cylinder Assembly (Ensemble cylindre)	306	690400	Shield-Cylinder (Écran-Cylindre)
2	399269	Kit-Bushing/Seal (Magneto Side) (Ensemble-Garniture d'étanchéité/Joint (côté magnéto))	307	690345	Screw (Cylinder Shield) (Vis (Écran de cylindre))
3	299819	Seal-Oil (Magneto Side) (Joint-Huile (côté magnéto))	332	690662	Nut (Flywheel) (Écrou-Volant-moteur)
4	698691	Sump-Engine (Puisard-Moteur)	333	496914	Armature-Magneto (Armature-Magnéto)
5	690386	Head-Cylinder (Culasse-Cylindre)	334	691061	Screw (Magneto Armature) (Vis (Armature de magnéto))
7	698717	Gasket-Cylinder Head (Joint statique-Culasse de cylindre)	335	691107	Screw (Magneto Armature) (Vis (Armature de magnéto))
8	699640	Breather Assembly (Ensemble de reniflard)	337	802592	Plug-Spark (Bougie-Allumage)
9	695890	Gasket-Breather (Joint statique-Reniflard)	356	692390	Wire-Stop (Fil-Arrêt)
10	691666	Screw (Breather Assembly) (Vis (Ensemble de reniflard))	356A	398808	Wire-Stop (Fil-Arrêt)
11	691245	Tube-Breather (Tube-Reniflard)	358	298989	Gasket Set-Engine (Jeu de joints statiques-Moteur)
12	692218	Gasket-Crankcase (Joint statique-Carter)	365	692200	Screw (Carburetor) (Vis (Carburateur))
13	691640	Screw (Cylinder Head) (Vis (Culasse de cylindre))	390	691839	Spring-Choke Diaphragm (Ressort-Membrane de l'étrangleur)
15	691680	Plug-Oil Drain (Bouchon-Vidange d'huile)	393	691837	Screen-Carburetor (Crépine-Carburateur)
16	692989	Crankshaft (Vilebrequin)	394	495770	Gasket-Carburetor Pump (Joint statique-Pompe du carburateur)
19	293709	Kit-Bushing/Side (PTO Side) (Ensemble-Garniture d'étanchéité/Côté (Côté prise de force))	455	691236	Cup-Flywheel (Coupelle-Volant-moteur)
20	391483	Seal-Oil (PTO Side) (Joint-Huile (Côté prise de force))	456	692299	Plate-Pawl Friction (Plaque-Cliquet à friction)
22	691662	Screw (Engine Sump) (Vis (Puisard de moteur))	459	281505	Pawl-Ratchet (Cliquet-Ratchet)
23	690843	Flywheel (Volant-moteur)	523	692040	Dipstick (Jauge)
24	222698	Key-Flywheel (Clavette-Volant-moteur)	523	691913	Dipstick (Jauge)
25	790908	Piston Assembly (Standard) (Ensemble de piston (Standard))	524	691876	Seal-O Ring (Dipstick Tube) (Anneau-O de scelle (Tube de Jauge))
26	790909	Ring Set (Standard) (Jeu de bagues (Standard))	529	692189	Grommet (Oeillet)
27	691588	Lock-Piston Pin (Verrou-Axe de piston)	534	691417	Screw (Air Cleaner) (Vis (Filtre à air))
28	699659	Pin-Piston (Standard) (Axe-Piston (Standard))	535	698369	Filter-Air Cleaner Foam (Filtre-Mousse du filtre à air)
29	496792	Rod-Connecting (Bielle)	536	698472	Cleaner-Air (Filtre-Air)
32	691664	Screw (Connecting Rod) (Vis (Bielle))	592	690800	Nut (Rewind Starter) (Écrou (Démarreur à cordon))
33	296676	Valve-Exhaust (Soupape-Échappement)	597	691696	Screw (Pawl Friction Plate) (Vis (Plaque de cliquet à friction))
34	296677	Valve-Intake (Soupape-Entrée)	608	499706	Starter-Rewind (Démarreur-Rebobinage)
35	690520	Spring-Valve (Intake) (Ressort-Soupape (Entrée))	612	496046	Tube-Pick Up (Tube-Ramassage)
36	690520	Spring-Valve (Exhaust) (Ressort-Soupape (Échappement))	617	270344	Seal-O Ring (Intake Manifold) (Joint-Joint torique (Collecteur d'entrée))
37	691209	Guard-Flywheel (Capot-Volant-moteur)	621	692310	Switch-Stop (Interrupteur-Arrêt)
37A	690482	Guard-Flywheel (Capot-Volant-moteur)	633	691321	Seal-Choke/Throttle Shaft (Joint-Étrangleur/Arbre de poussée)
40	692194	Retainer-Valve (Dispositif de retenue-Soupape)	635	66538	Boot-Spark Plug (Couvre-borne-Bougie d'allumage)
43	698690	Slinger-Governor/Oil (Bague d'étanchéité- Régulateur/Huile)	668	692889	Spacer (Butée d'espacement)
45	691762	Tappet-Valve (Poussoir-Soupape)	670	691633	Spacer-Fuel Tank (Butée d'espacement- Réservoir de combustible)
46	691998	Camshaft (Arbre à cames)	689	691855	Spring-Friction (Ressort-Friction)
50	699644	Manifold-Intake (Collecteur-Entrée)	718	690959	Pin-Locating (Dérompeur)
51	699649	Gasket-Intake (Joint statique-Entrée)	718A	499047	Pin-Locating (Dérompeur)
54	691111	Screw (Intake Manifold) (Vis (Collecteur d'entrée))	724	697478	Retainer-Seal (De retenue-cachet)
55	692144	Housing-Rewind Starter (Bâti-Démarreur à cordon)	741	691805	Gear-Timing (Pignon de distribution)
58	692259	Rope-Starter (Cordon-Démarreur)	832	699670	Guard-Muffler (Capuchon-Silencieux)
60	691915	Grip-Starter Rope (Poignée-Cordon de démarreur)	836	690664	Screw (Muffler Guard) (Vis (Capuchon du silencieux))
65	690837	Screw (Rewind Starter) (Vis (Démarreur à cordon))	842	691870	Seal-O Ring (Dipstick) (Joint-Joint torique (Jauge))
73	699850	Screen-Rotating (Crépine-Rotative)	847	691440	Dipstick/Tube Assembly (Jauge/Assemblée de tube)
90	699660	Carburetor (Carburateur)	851	493880	Terminal-Spark Plug (Borne-Bougie d'allumage)
97	691931	Shaft-Throttle (Arbre-Poussée)	868	697338	Seat-Valve (Siège-Soupape)
106	691901	Seat-Inlet (Siège-Admission)	869	691701	Seat-Valve (Intake) (Siège-Soupape (Entrée))
130	691190	Valve-Throttle (Soupape-Poussée)	870	691702	Seat-Valve (Exhaust) (Siège-Soupape (Échappement))
163	271139	Gasket-Air Cleaner (Joint statique-Filtre à air)	871	231348	Bushing-Guide (Exhaust) (Garniture d'étanchéité-Guide (Échappement))
180	494406	Tank-Fuel (Réservoir-Combustible)	63709		Bushing-Guide (Intake) (Garniture d'étanchéité-Guide (Entrée))
190	691697	Screw (Fuel Tank) (Vis (Réservoir d'essence))	913	494409	Seat-Check Valve (Siège-Clapet de retenue)
190A	692198	Screw (Fuel Tank) (Vis (Réservoir d'essence))	957	791129	Cap-Fuel Tank (Bouchon- Réservoir de combustible)
200	691912	Blade-Governor (Pale-Régulateur)	976	694394	Primer-Carburetor (Amorceur-Carburateur)
201	690347	Link-Air Vane (Lien-Volet d'air mobile)	1095	498526	Gasket Set-Valve (Jeu de joints statiques-Soupape)
209	691862	Spring-Governor (Ressort-Régulateur)	1210	499901	Pulley/Spring Assembly (Poulie) (Poulie/Ensemble de ressorts (Poulie))
211	691859	Spring-Governed Idle (Ressort-Régulateur de ralenti)	1211	499901	Pulley/Spring Assembly (Spring) (Poulie/Ensemble de ressorts (Poulie))
222	691445	Bracket-Control (Support-Contrôle)	1218	695866	Seal-O Ring (Carburetor) (Joint-Joint torique (Carburateur))
287	691002	Screw (Dipstick/Tube Assembly) (Vis- (Jauge/Assemblée de tube))			
300	394569	Muffler (Silencieux)			
304	694051	Housing-Blower (Bâti-Soufflerie)			
305	692198	Screw (Blower Housing) (Vis-(Bâti de soufflerie))			

# EMISSION CONTROL SYSTEM WARRANTY

Sears, Roebuck and Co., U.S.A. (Sears), the California Air Resources Board (CARB) and the United States Environmental Protection Agency (U.S.EPA)

## Emissions Control System Warranty Statement (Owner's Defect Warranty Rights and Obligations)

The California Air Resources Board (CARB), U.S. EPA and Sears are pleased to explain the Emissions Control System Warranty on your small offroad engine (SORE). In California, new small offroad engines model year 2006 and later must be designed, built and equipped to meet the State's stringent anti-smog standards.

Elsewhere in the United States, new non-road, spark-ignition engines certified for model year 1997 and later must meet similar standards set forth by the U.S. EPA. Sears must warrant the emissions control system on your engine for the periods of time listed below, provided there has been no abuse, neglect or improper maintenance of your small off-road engine.

Your emissions control system includes parts such as the carburetor, air cleaner, ignition system, fuel line, muffler and catalytic converter. Also included may be connectors and other emissions related assemblies.

Where a warrantable condition exists, Sears will repair your small off-road engine at no cost to you including diagnosis, parts and labor.

### Sears, Roebuck and Co. Emissions Control Defects Warranty Coverage

Small off-road engines are warranted relative to emissions control parts defects for a period of two years, subject to provisions set forth below. If any covered part on your engine is defective, the part will be repaired or replaced by Sears.

#### Owner's Warranty Responsibilities

As the small off-road engine owner, you are responsible for the performance of the required maintenance listed in your Operating and Maintenance Instructions. Sears recommends that you retain all your receipts covering maintenance on your small off-road engine, but Sears cannot deny warranty solely for the lack of receipts or for your failure to ensure the performance of all scheduled maintenance.

As the small off-road engine owner, you should however be aware that Sears may deny you warranty coverage if your small off-road engine or a part has failed due to abuse, neglect, improper maintenance or unapproved modifications. You are responsible for presenting your small off-road engine to an Authorized Sears Service Dealer as soon as a problem exists.

The undisputed warranty repairs should be completed in a reasonable amount of time, not to exceed 30 days.

If you have any questions regarding your warranty rights and responsibilities, you should contact a Sears Service Representative at 1-800-469-4663.

The emissions warranty is a defects warranty. Defects are judged on normal engine performance. The warranty is not related to an in-use emissions test.

### Sears, Roebuck and Co. Emissions Control Defects Warranty Provisions

The following are specific provisions relative to your Emissions Control Defects Warranty Coverage. It is in addition to the Sears engine warranty for non-regulated engines found in the Operating and Maintenance Instructions.

#### 1. Warranted Parts

Coverage under this warranty extends only to the parts listed below (the emissions control systems parts) to the extent these parts were present on the engine purchased.

- a. Fuel Metering System
  - Cold start enrichment system
  - Carburetor and internal parts
  - Fuel Pump
  - Fuel line, fuel line fittings, clamps
- b. Air Induction System
  - Air cleaner
  - Intake manifold
- c. Ignition System
  - Spark plug(s)
  - Magneto ignition system
- d. Catalyst System
  - Catalytic converter
  - Exhaust manifold
  - Air injection system, Pulse valve
- e. Miscellaneous Items
  - Vacuum, temperature, position, time sensitive valves and switches
  - Connectors and assemblies

#### 2. Length of Coverage

Sears warrants to the initial owner and each subsequent purchaser that the Warranted Parts shall be free from defects in materials and workmanship which caused the failure of the Warranted Parts for a period of two years from the date the engine is delivered to a retail purchaser.

#### 3. No Charge

Repair or replacement of any Warranted Part will be performed at no charge to the owner, including diagnostic labor which leads to the determination that a Warranted Part is defective, if the diagnostic work is performed at an Authorized Sears Service Dealer.

#### 4. Claims and Coverage Exclusions

Warranty claims shall be filed in accordance with the provisions of the Sears Engine Warranty Policy. Warranty coverage shall be excluded for failures of Warranted Parts which are not original Sears parts or because of abuse, neglect or improper maintenance as set forth in the Sears Engine Warranty Policy. Sears is not liable to cover failures of Warranted Parts caused by the use of add-on, non-original, or modified parts.

#### 5. Maintenance

Any Warranted Part which is not scheduled for replacement as required maintenance or which is scheduled only for regular inspection to the effect of "repair or replace as necessary" shall be warranted as to defects for the warranty period. Any Warranted Part which is scheduled for replacement as required maintenance shall be warranted as to defects only for the period of time up to the first scheduled replacement for that part. Any replacement part that is equivalent in performance and durability may be used in the performance of any maintenance or repairs. The owner is responsible for the performance of all required maintenance, as defined in the Sears Operating and Maintenance Instructions.

#### 6. Consequential Coverage

Coverage hereunder shall extend to the failure of any engine components caused by the failure of any Warranted Part still under warranty.

In the USA and Canada, a 24-hour hotline, 1-800-469-4663, has a menu of pre-recorded messages offering you product maintenance information.

## Emissions Durability Period and Air Index Information On Your Engine Emissions Label

Engines that are certified to meet the California Air Resources Board (CARB) Tier 2 Emission Standards must display information regarding the Emissions Durability Period and Air Index. The engine manufacturer makes this information available to the consumer on emission labels.

The **Emissions Durability Period** describes the number of hours of actual running time for which the engine is certified to be emissions compliant, assuming proper maintenance in accordance with the Operating & Maintenance Instructions. The following categories are used:

**Moderate:** Engine is certified to be emission compliant for 125 hours of actual engine running time.

**Intermediate:** Engine is certified to be emission compliant for 250 hours of actual engine running time.

**Extended:** Engine is certified to be emission compliant for 500 hours of actual engine running time.

For example, a typical walk-behind lawn mower is used 20 to 25 hours per year. Therefore, the **Emissions Durability Period** of an engine with an **intermediate** rating would equate to 10 to 12 years.

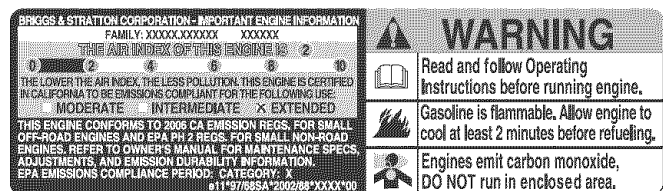
The **Air Index** is a calculated number describing the relative level of emissions for a specific engine family. The lower the **Air Index**, the cleaner the engine. This information is displayed in graphical form on the emissions label.

## Emissions Compliance Period On Engine Emissions Compliance Label

After July 1, 2000 certain Sears engines will be certified to meet the United States Environmental Protection Agency (USEPA) Phase 2 emission standards. For phase 2 certified engines, the Emissions Compliance Period referred to on the Emissions Compliance label indicates the number of operating hours for which the engine has been shown to meet Federal emission requirements. For engines less than 225 cc displacement, Category C = 125 hours, B = 250 hours and A = 500 hours. For engines of 225 cc or more, Category C = 250 hours, B = 500 hours and A = 1000 hours.

This engine has a moderate rating with and Air Index of 3. The EPA Emissions compliance period is Category C. The displacement of this engine is 158 cc.

Below is a generic representation of the emission label typically found on a certified engine.



# TABLE DES MATIÈRES

GARANTIE.....	32	RANGEMENT.....	49-50
RÈGLES DE SÉCURITÉ.....	32-34	DÉPANNAGE.....	51
FONCTIONS ET COMMANDES.....	35	REMARQUES.....	52-53
ASSEMBLAGE.....	36-38	GARANTIE DU DISPOSITIF ANTIPOLLUTION.....	54-55
OPÉRATION.....	39-42	COMMENT COMMANDER LES PARTIES.....	PAGE
CARACTÉRISTIQUES DU PRODUIT.....	43		POSTÉRIEURE
ENTRETIEN.....	44-48		

## GARANTIE

### GARANTIE LIMITÉE SUR LE NETTOYEUR À PRESSION CRAFTSMAN

Pour une période d'un an à partir de la date d'achat, Sears réparera, sans frais, tout défaut de matériel ou de fabrication si ce nettoyeur à pression CRAFTSMAN® est entretenu et utilisé conformément aux directives du manuel d'utilisation.

Si ce nettoyeur est utilisé à des fins commerciales, la garantie s'appliquera pendant seulement 90 jours à compter de la date d'achat.

Si ce nettoyeur à pression est loué, cette garantie s'appliquera pendant seulement 30 jours à compter de la date d'achat.

La présente garantie ne couvre pas:

- Les pièces non récupérables comme les bougies d'allumage ou les filtres à air, lesquelles s'usent durant l'utilisation normale de l'appareil.
- Les réparations rendues nécessaires en raison de l'abus ou de la négligence de l'opérateur, y compris les dommages causés par un manque d'eau dans la pompe ou le défaut d'entretenir l'appareil conformément aux directives du guide d'utilisation.

LES SERVICES EN VERTU DE LA GARANTIE SERONT RENDUS EN RETOURNANT LE NETTOYEUR À PRESSION AU CENTRE DE SERVICE SEARS OU AU DÉTAILLANT SEARS CANADA.

La présente garantie vous accorde certains droits légaux spécifiques et il se peut que vous ayez également d'autres droits, lesquels varient d'un État à l'autre ou d'une province à l'autre.

Sears Canada, Inc.

## RÈGLES DE SÉCURITÉ



Ceci est la sûreté le symbole vif. Il est utilisé pour vous alerter aux dangers de blessure personnels potentiels. Obéir tous messages de sûreté qui suivent ce symbole éviter la blessure ou la mort possibles.



Lisez avec soin ce manuel et familiarisez-vous avec votre nettoyeur à pression. Connaissez ses applications, ses limitations et les dangers qu'il implique.

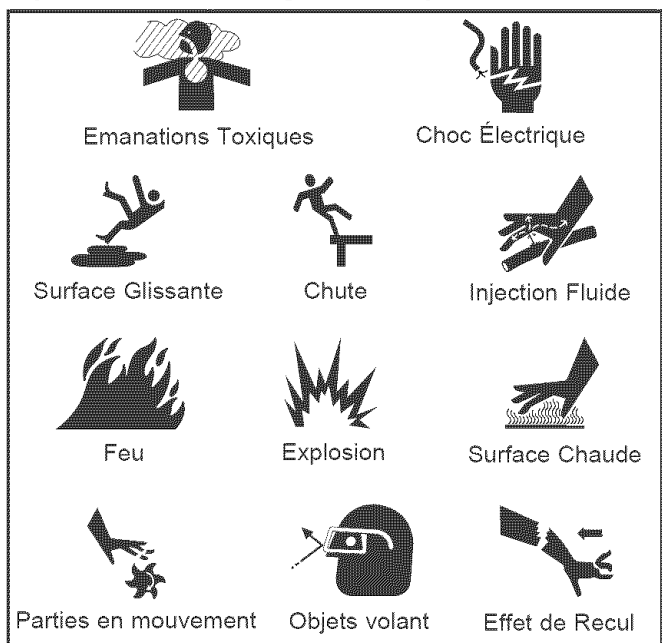
Le symbole indiquant un message de sécurité (▲) est accompagné d'un mot indicateur (DANGER, ATTENTION, AVERTISSEMENT), d'un message illustré et/ou d'un message de sécurité visant à vous avertir des dangers.

**DANGER** indique un danger qui, s'il n'est pas évité, *provoquera* des blessures graves, voire fatales.

**AVERTISSEMENT** indique un danger qui, s'il n'est pas évité, *peut* provoquer des blessures graves, voire fatales.

**ATTENTION** indique un danger qui, s'il n'est pas évité, *peut* provoquer des blessures mineures ou légères. Le mot **ATTENTION**, lorsqu'il est utilisé sans le symbole d'alerte, indique une situation pouvant endommager l'équipement. Suivez les messages de sécurité pour éviter ou réduire les risques de blessures ou de mort.

### Symboles de Danger et Moyens



## AVERTISSEMENT

L'échappement du moteur de ce produit contient des produits chimiques que l'État de Californie considère comme causant le cancer, des déformations à la naissance ou d'autres dangers concernant la reproduction.

## AVERTISSEMENT



Le nettoyeur à pression, lorsqu'il fonctionne, produit du monoxyde de carbone, un gaz toxique inodore et incolore.

Le fait de respirer du monoxyde de carbone provoque des nausées, des évanouissements ou peut être fatal.

Certains produits chimiques et détergents peuvent être nocifs en cas d'ingestion ou d'inhalation et peuvent provoquer des nausées, un évanouissement ou un empoisonnement.

- Faites fonctionner le nettoyeur à pression SEULEMENT à l'extérieur.
- Évitez que les gaz d'échappement entrent dans un espace restreint, par une fenêtre, une porte, une prise d'aération ou toute autre ouverture.
- NE faites PAS fonctionner le nettoyeur à pression à l'intérieur d'un bâtiment ou d'un abri, même si les portes ou les fenêtres sont ouvertes.
- Utilisez un appareil respiratoire ou un masque lorsqu'il y a des risques d'inhalation des vapeurs.
- Lisez toutes les instructions qui accompagnent le masque pour être certain qu'il vous protégera de façon efficace contre l'inhalation des vapeurs nocives.

## AVERTISSEMENT



Une réaction rapide de la corde du démarreur (effet de recul) tirera votre main et votre bras vers le moteur plus rapidement que vous ne pouvez relâcher la corde.

Vous risquez ainsi de subir des fractures, des ecchymoses ou des entorses.

- Avant de démarrer le moteur, dirigez TOUJOURS le pistolet vers un endroit sécuritaire et appuyez sur la détente du pistolet de pulvérisation pour libérer la haute pression et éviter un effet de recul. Lorsque vous n'utilisez pas le pistolet, engagez le verrou de la détente.
- Si le moteur démarre et qu'il s'arrête peu après ou si vous ressentez une résistance accrue au cours des tentatives de démarrage, appuyez sur la détente du pistolet de pulvérisation.
- Après chaque tentative de démarrage, alors que le moteur n'a pas démarré, dirigez toujours le pistolet vers un endroit sécuritaire et appuyez sur la détente du pistolet de pulvérisation pour libérer la haute pression.

## AVERTISSEMENT



Démarreur et autres tournants peuvent empêcher mains, cheveux, vêtements, ou accessoires.

- NE portez PAS de vêtements lâches, de bijoux ou tout ce qui risquerait d'être pris dans le démarreur ou toute autre pièce rotative.
- Embouteiller des cheveux longs et enlève la bijouterie.

## AVERTISSEMENT



Le contact de pulvérisation avec l'installation électrique peut résulter dans l'électrocution.

- Éloignez le jet d'eau des câbles électriques; cela risquerait de provoquer des électrocutions.

## AVERTISSEMENT



L'essence et ses vapeurs sont extrêmement inflammables et explosives.



Le feu ou l'explosion risque de provoquer des blessures graves, pouvant être fatales.

### LORS DE L'AJOUT OU DE LA VIDANGE DU CARBURANT

- Éteignez le nettoyeur à pression et laissez-le refroidir au moins 2 minutes avant de retirer le capuchon du réservoir de carburant. Desserrez lentement le capuchon pour laisser la pression s'échapper du réservoir.
- Remplissez ou vidangez le réservoir d'essence à l'extérieur.
- NE REMPLISSEZ PAS trop le réservoir. Laissez l'expansion de l'essence.
- Éloignez l'essence des étincelles, des flammes, des veilleuses, de la chaleur et de toute autre source d'inflammation.
- N'ALLUMEZ PAS de cigarette ou ne fumez pas à proximité de l'appareil.

### LORS DU DÉMARRAGE DE L'ÉQUIPEMENT

- Assurez-vous que la bougie d'allumage, le silencieux, le bouchon à essence et le filtre à air sont en place.
- NE démarrez PAS le moteur lorsque la bougie d'allumage est enlevée.
- Si du carburant est renversé, attendez qu'il s'évapore avant de démarrer le moteur.

### LORSQUE L'ÉQUIPEMENT FONCTIONNE

- NE penchez PAS le moteur ou l'équipement, vous risqueriez de renverser de l'essence.
- Ne vaporisez pas de liquides inflammables.

### LORSQUE VOUS TRANSPORTEZ OU RÉPAREZ L'ÉQUIPEMENT

- Le réservoir d'essence doit être VIDE ou le robinet d'arrêt de carburant doit être à la position fermée (OFF) pendant le transport ou la réparation.
- Débranchez le câble de bougie.

### LORSQUE VOUS ENTREPOSEZ L'ESSENCE OU UN ÉQUIPEMENT AVEC UN RÉSERVOIR À ESSENCE

- Entreposez-le loin des appareils de chauffage, des fours, des chauffe-eau, des sècheuses ou de tout autre appareil électroménager disposant d'une veilleuse ou de toute autre source d'inflammation risquant d'enflammer les vapeurs d'essence.

## AVERTISSEMENT



Usage de pression peut créer puddles et glissant.



Le jet à haute pression risque également de vous faire tomber si vous êtes trop proche de la surface à nettoyer.

- Pour nettoyer de façon plus efficace, tenez le gicleur à une distance de 8 à 24 pouces de la surface à nettoyer.
- Faites fonctionner et rangez cet appareil sur une surface stable.
- La surface à nettoyer doit être inclinée et équipée d'écoulements afin de réduire la possibilité de chutes dues aux surfaces glissantes.
- Soyez extrêmement prudent si vous devez utiliser le nettoyeur à pression sur une échelle, un échafaudage ou tout autre endroit relativement instable.
- Fermez le fusil de pulvérisation de compréhension avec les deux mains en utilisant l'haute pulvérisation de pression pour éviter la blessure si le fusil donne un coup de pied le dos.

**⚠ AVERTISSEMENT**

 Les moteurs en fonctionnement produisent de la chaleur. La température du silencieux et des endroits à proximité peuvent atteindre, voire dépasser 150°F (65°C).

Le contact de ces pièces risque de causer de graves brûlures.

 La chaleur et les gaz d'échappement peuvent enflammer des matériaux combustibles et les structures ainsi que causer des dommages au réservoir d'essence et entraîner un incendie.

- NE touchez PAS aux pièces chaudes et évitez le contact avec les gaz d'échappement.
- Laissez l'équipement refroidir avant de le toucher.
- Laissez un dégagement d'au moins 1,52 m (5 pi) tout autour de la nettoyeur à pression, y compris au-dessus.
- Le Code of Federal Regulation (CFR) Title 36 Parks, Forests, and Public Property exige que de l'équipement alimenté par un moteur à combustion interne soit doté d'un pare-étincelles et constamment maintenu en bon état fonctionnement, conformément à la norme de service 5100-1C de la USDA Forest ou à une révision de celle-ci. Dans l'État de la Californie, un pare-étincelles est requis en vertu de la section 4442 du California Public Resources Code. Il se peut que d'autres États aient des lois semblables aux terres fédérales. Si vous équipez le silencieux d'un pare-étincelles, il doit être en bon état de fonctionnement.

**⚠ AVERTISSEMENT**

 Le jet d'eau sous pression produit par cet équipement peut percer la peau et les tissus sous-jacents, risquant de provoquer des blessures graves pouvant mener à une amputation.

Le pistolet de pulvérisation retient une pression d'eau élevée, même lorsque le moteur est éteint et que l'eau est déconnectée.

- N visez JAMAIS des personnes, des animaux ou des plantes avec le pistolet pulvérisateur.
- N'autorisez JAMAIS des ENFANTS à se servir du nettoyeur à pression.
- Ne réparez JAMAIS les tuyaux à haute pression. Remplacez.
- Ne réparez JAMAIS des raccords non étanches à l'aide de scellant. Remplacez le joint torique ou le joint d'étanchéité.
- Gardez toujours le tuyau flexible à haute pression raccordé à la pompe et au pistolet de pulvérisation lorsque le système est sous pression.
- À chaque fois que vous arrêtez le moteur, dirigez TOUJOURS le pistolet vers un endroit sécuritaire et appuyez sur la détente du pistolet de pulvérisation pour libérer la haute pression. Lorsque vous n'utilisez pas le pistolet, engagez le verrou de la détente.

**⚠ AVERTISSEMENT**

 Unintentional peut résulter dans feu ou électrique.



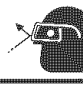
**LORSQUE VOUS RÉGLEZ OU RÉPAREZ VOTRE NETTOYEUR À PRESSION**

- Débranchez toujours le câble de bougie et placez-le de façon à ce qu'il ne soit pas en contact avec la bougie.

**LORS DE TESTS D'ALLUMAGE DU MOTEUR**

- Utilisez un vérificateur de bougies d'allumage approuvé.
- NE vérifiez PAS l'allumage lorsque la bougie d'allumage est enlevée.

**⚠ AVERTISSEMENT**

 Les jets à haute pression risquent de faire voler des éclats de peinture ou d'autres particules.

- Protégez toujours vos yeux lorsque vous utilisez cet équipement ou lorsque vous êtes à proximité de quelqu'un qui l'utilise.

**⚠ ATTENTION**

En faisant fonctionner le moteur à des vitesses excessives, vous augmentez les risques de blessures.

- Ne trafiquez pas vitesse régulée.
- Ne faites pas fonctionner le nettoyeur à pression à une pression supérieure à la pression nominale.

**⚠ ATTENTION**

Le nettoyeur à pression produit un jet à haute pression qui augmente les risques de blessures et de dommages à l'appareil.

- NE verrouillez PAS le pistolet de pulvérisation dans la position ouverte.
- NE laissez PAS le pistolet de pulvérisation sans surveillance alors que l'appareil est en marche.
- N'utilisez JAMAIS un pistolet de pulvérisation qui n'est pas muni d'un verrou d'arme ou d'un pontet installé et en ordre de marche.
- Assurez-vous toujours que le pistolet de pulvérisation, les buses et les accessoires sont bien fixés.

**ATTENTION**

Le jet à haute pression risque d'endommager les articles fragiles comme le verre.

- Ne pointez pas le pistolet pulvérisateur sur du verre lorsqu'il est en mode pulvérisation.
- N visez jamais des plantes avec le pistolet pulvérisateur.

**ATTENTION**

Le traitement inadéquat du nettoyeur à pression peut l'endommager et réduire sa durée de vie utile.

- Si vous avez des questions à propos de l'utilisation prévue de cet appareil, consultez votre détaillant ou communiquez avec Sears.
- N'utilisez JAMAIS un appareil ayant des pièces brisées ou manquantes ou sans bâti ou couvercles protecteurs.
- NE neutralisez AUCUN dispositif de sécurité de cette machine.
- Par temps froid, avant de démarrer le nettoyeur à pression, vérifiez-en tous les éléments pour vous assurer qu'aucune glace ne s'y est formée.
- N'utilisez JAMAIS le tuyau à haute pression comme poignée pour déplacer l'appareil. Utilisez toujours la poignée de l'appareil.
- Vérifiez la présence de fuites ou les signes de détérioration du système de combustible, comme un tuyau usé ou spongieux, des brides de serrage desserrées ou manquantes, ou un réservoir ou un bouchon endommagé. Réparez toutes les déficiences avant d'utiliser le nettoyeur à pression.
- Cet appareil est conçu pour être utilisé uniquement avec des pièces Sears approuvées. Si l'appareil est utilisé avec des pièces qui NE sont PAS conformes aux caractéristiques minimales, tous les risques et responsabilités incomberont à l'utilisateur.

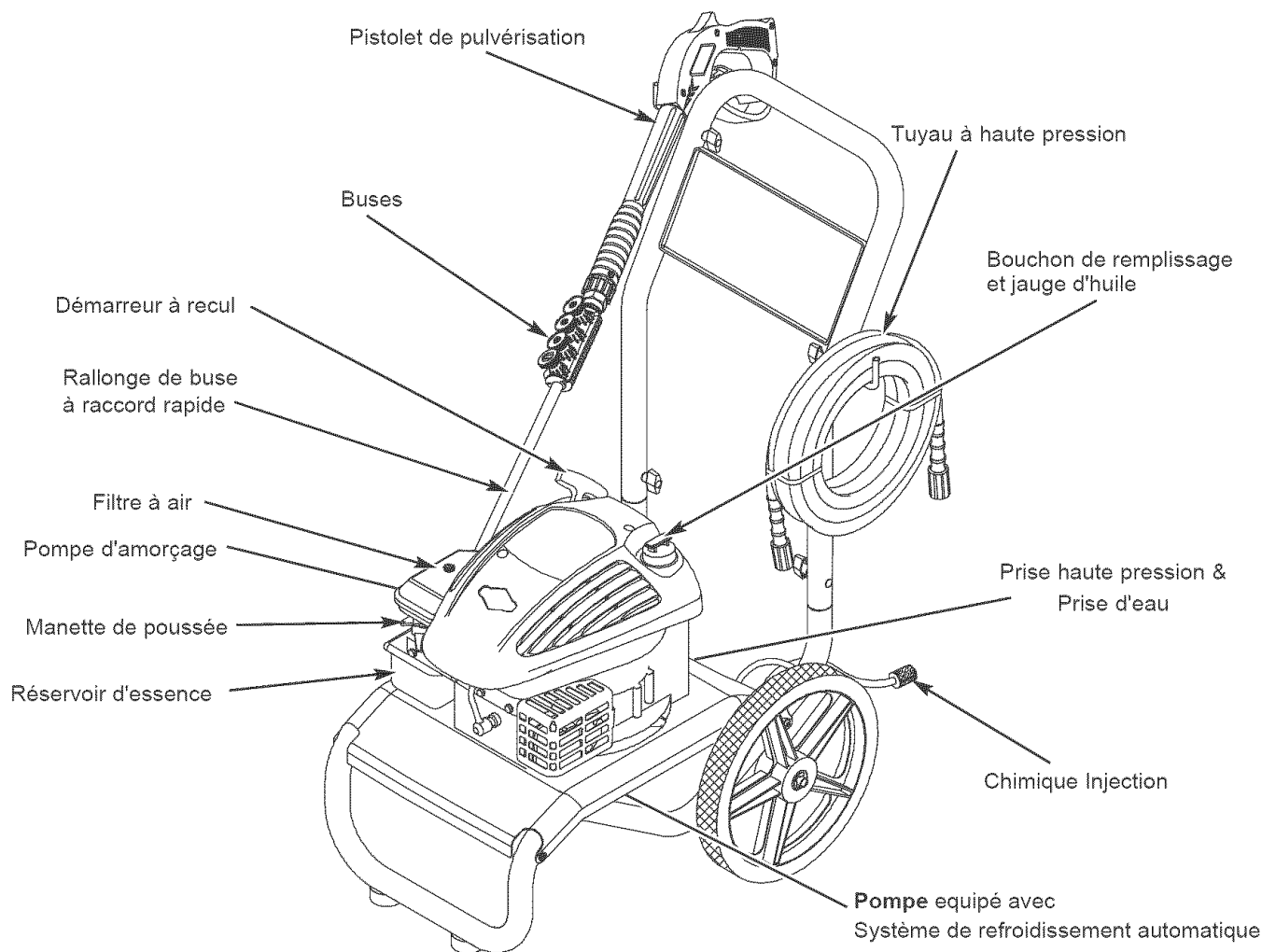


# FONCTIONS ET COMMANDES

## CONNAÎTRE VOTRE NETTOYEUR À PRESSION



Lisez ce manuel d'utilisation ainsi que les règles de sécurité avant de faire fonctionner votre nettoyeur à pression. Comparez les illustrations avec votre nettoyeur à pression pour vous familiariser avec l'emplacement des différents boutons et réglages. Conservez ce manuel pour référence ultérieure.



**Bouchon de remplissage et jauge d'huile** - Vérifiez le niveau d'huile et remplissez le moteur d'huile ici. Consultez la page 46 au sujet des recommandations relatives à l'huile et des directives de remplissage.

**Buses** — Injection de produits chimiques, 0°, 15° et 40° : pour les différentes applications de nettoyage à haute pression.

**Injection Chimique** — Usage à siphon ou autre pression chimique dans le bas pression.

**Démarrateur à recul** - Utilisé pour démarrer le moteur manuellement.

**Filtre à air** - Filtre de type sec qui limite la quantité de poussières et de saletés dans le moteur.

**Manette de poussée** - Cette manette place le moteur en mode démarrage pour le lanceur et éteint le moteur en marche.

**Pistolet de pulvérisation** - un dispositif de détente permet de contrôler le jet d'eau sur la surface à nettoyer. Le pistolet est muni d'un verrou de sécurité.

**Pompe** - Développe une pression élevée.

**Pompe d'amorçage** - Prépare un moteur froid pour le démarrage.

**Prise d'eau** - Branchement pour le tuyau d'arrosage.

**Prise haute pression** - Vous permet de brancher le tuyau à haute pression.

**Rallonge de buse à raccord rapide** — Cette rallonge vous permet de changer les buses (quatre modèles différents).

**Réservoir d'essence** - Remplissez le réservoir avec de l'essence ordinaire sans plomb. Laissez toujours de la place pour l'expansion de l'essence.

**Système de refroidissement automatique** - Fait circuler l'eau dans la pompe lorsqu'elle atteint 51° à 68°C (125° à 155°F). **L'eau chaude s'écoulera de la pompe sur le sol. Ce système empêche la pompe interne de s'abîmer.**

**Tuyau à haute pression** - Raccordez une extrémité du tuyau au pistolet de pulvérisation et l'autre à la sortie du nettoyeur à pression .

# ASSEMBLAGE

Votre nettoyeur à pression exige que quelque assemblée et soit prêt pour l'usage après il a été convenablement entretenu avec le pétrole et le carburant recommandés.

**Si vous avez des problèmes au cours de l'assemblage de votre nettoyeur à pression ou si certaines pièces sont manquantes ou endommagées, appelez la ligne d'assistance pour les nettoyeur à pression au 1-800-222-3136.**

**IMPORTANT:** Tout essai de démarrer le moteur avant qu'il ne soit correctement ravitaillé en huile risque de provoquer une panne de moteur.

## DÉBALLER LE NETTOYEUR À PRESSION DU CARTON

- Ouvrez le carton et découpez de haut en bas les deux angles opposés à la poignée, afin que le panneau se replie à plat.
- Enlevez la sac de pièces, accessoires et insertions qui accompagne le nettoyeur à pression .
- Faites rouler le nettoyeur à pression par le côté ouvert du carton.
- Vérifiez si vous n'avez pas oublié de pièces supplémentaires dans le carton.

## CONTENU DU CARTON

Vérifiez toutes les pièces et accessoires du nettoyeur à pression . Si certaines des pièces énumérées ci-dessus sont manquantes ou endommagées, appelez la ligne d'assistance pour les nettoyeur à pression au 1-800-222-3136.

- Appareil principal
- Poignée
- Tuyau à haute pression
- Pistolet pulvérisateur
- Rallonge de buse à raccord rapide et porte-buse
- Turbo-lance
- Huile à moteur
- Sac de pièces (comprenant les pièces énumérées ci-dessous)

Manuel d'utilisation

Matériel de fixation à la poignée

Sac contenant 4 buses multicolores

Familiarisez-vous avec chaque pièce avant d'assembler le nettoyeur à pression . Vérifiez le contenu de la boîte à l'aide de l'illustration de la page 35. Si une pièce est manquante ou endommagée, veuillez joindre le service de dépannage du nettoyeur à pression au numéro sans frais 1-800-222-3136.

## ASSEMBLAGE DU NETTOYEUR À PRESSION

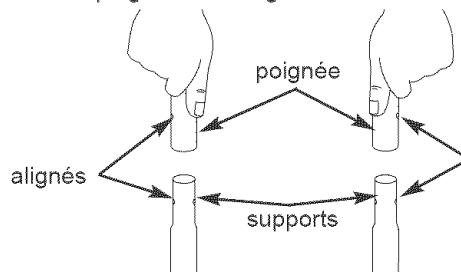
Votre nettoyeur à pression Craftsman a été monté en grande partie en usine. Cependant, vous devrez effectuer les tâches ci-dessous avant d'utiliser votre nettoyeur à pression.

1. Fixez la poignée à l'unité principale.
2. Ajoutez de l'huile au carter du moteur.
3. Ajoutez de l'essence dans le réservoir.

4. Branchez le tuyau à haute pression au pistolet pulvérisateur et à la pompe.
5. Branchez la source d'alimentation d'eau à la pompe.
6. Choisissez une buse à raccord rapide et installez-la sur la rallonge de buse.

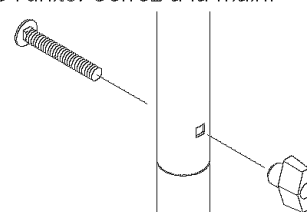
### Fixez la poignée

1. Placez l'assemblage de la poignée sur le support de la poignée relié à l'unité principale. Assurez-vous que les trous de la poignée sont alignés avec ceux du support.

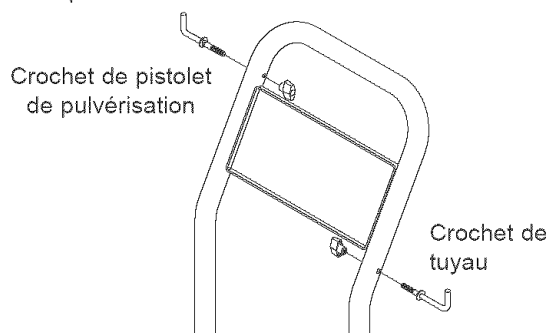


**REMARQUE:** Vous devrez peut-être déplacer latéralement les supports de la poignée afin d'aligner la poignée de façon à ce qu'elle se glisse sur les supports de la poignée.

2. Insérez les boulons dans les trous à l'extérieur de l'unité, puis fixez un bouton en plastique depuis l'intérieur de l'unité. Serrez à la main.



3. Insérez un crochet en « L » par le trou situé directement au-dessus du panneau d'affichage, du côté gauche de la poignée (en regardant de l'avant de l'appareil). Maintenez le crochet et fixez un bouton en plastique depuis l'intérieur de l'unité. Serrez à la main.



4. Insérez l'autre crochet en "L" par le trou situé directement en dessous du panneau d'affichage, du côté droit de la poignée (en regardant de l'avant de l'appareil). Maintenez le crochet et fixez un bouton en plastique depuis l'intérieur de l'unité. Serrez à la main.



## Ajoutez de l'Huile à Moteur

**ATTENTION!** Toute tentative de démarrer le moteur sans qu'il ait été rempli avec l'huile recommandée risque d'entraîner un bris de moteur.

1. Placez le nettoyeur à haute pression sur une surface plane.
2. Nettoyez la surface autour de l'orifice de remplissage d'huile et enlevez la jauge d'huile.
3. À l'aide d'un entonnoir pour huile (optionnel), versez lentement le contenu complet de la bouteille d'huile (18 oz) fournie dans l'orifice de remplissage.
4. Remplacez la jauge d'huile et serrez-la solidement.

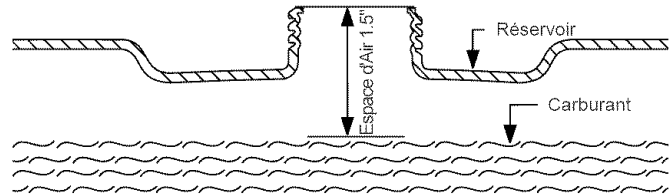
**REMARQUE:** Consultez la section "Huile" à la page 46 au sujet des recommandations relatives à l'huile.

## Ajouter de l'Essence

**REMARQUE:** Le fonctionnement avec de l'essence est certifié avec ce moteur à essence. Dispositif antipollution de l'échappement: EM (Modifications de moteur).

 <b>AVERTISSEMENT</b>	
	L'essence et ses vapeurs sont extrêmement inflammables et explosives.
	Le feu ou l'explosion risque de provoquer des blessures graves, pouvant être fatales.
<b>LORS DE L'AJOUT DU CARBURANT</b>	
<ul style="list-style-type: none"><li>• Éteignez le nettoyeur à pression et laissez-le refroidir au moins 2 minutes avant de retirer le capuchon du réservoir de carburant. Desserrez lentement le capuchon pour laisser la pression s'échapper du réservoir.</li><li>• Remplissez le réservoir d'essence à l'extérieur.</li><li>• NE REMPLISSEZ PAS trop le réservoir. Laissez l'expansion de l'essence.</li><li>• Éloignez l'essence des étincelles, des flammes, des veilleuses, de la chaleur et de toute autre source d'inflammation.</li><li>• N'ALLUMEZ PAS de cigarette ou ne fumez pas à proximité de l'appareil.</li></ul>	

1. Utilisez de l'essence sans plomb ordinaire propre et fraîche avec un indice d'octane d'au moins 77. N'utilisez PAS de carburant qui contient du Méthanol. NE mélangez PAS avec de l'huile.
2. Nettoyez la partie autour du bouchon du réservoir d'essence, enlevez le bouchon.
3. Ajoutez lentement de l'essence "SANS PLOMB" dans le réservoir. Utilisez un entonnoir pour éviter d'en renverser. Remplissez lentement le réservoir jusqu'à environ 1.5" po en dessus du col de remplissage.



4. Remettez le capuchon en place et essuyez l'essence renversée.

**ATTENTION!** Les carburants à l'alcool (appelés essence-alcool, éthanol ou méthanol) attirent l'humidité, ce qui entraîne la séparation et la formation d'acides durant l'entreposage. Les gaz acides peuvent endommager le système d'alimentation du moteur pendant l'entreposage.

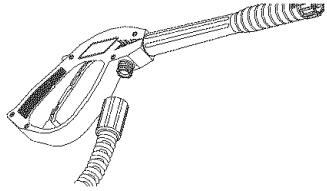
Pour éviter les problèmes reliés au moteur, il est préférable de vider le système d'alimentation avant un entreposage de 30 jours ou plus. Vidangez le réservoir d'essence, démarrez le moteur et laissez-le tourner jusqu'à ce les conduits d'essence et le carburateur soient vides. Utilisez de l'essence fraîche la saison suivante. Pour obtenir plus de renseignements, consultez la section « Entreposage » aux pages 49 et 50.

N'UTILISEZ JAMAIS de produits de nettoyage de moteur ou de carburateur dans le réservoir à essence, ils pourraient causer des dommages irréversibles.

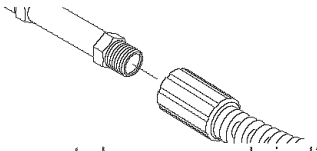
## Conecte la Manguera y el Suministro de Agua a la Bomba

**IMPORTANTE:** Usted deberá armar la extensión para boquillas y conectar todas las mangueras antes de darle arranque al motor. La bomba resultará dañada si arranca el motor sin tener todas las mangueras conectadas y el suministro agua abierto.

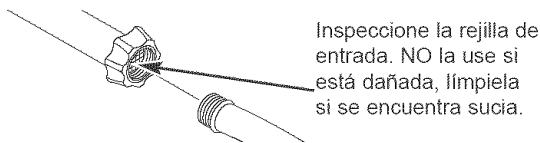
1. Desenrolle la manguera de alta presión y conecte un extremo de la manguera a la base de la pistola de rociado. Apriete con la mano.



2. Conecte el otro extremo de manguera de alta presión a salida de alta presión de bomba. Apriete con la mano.



3. Antes de que conecte la manguera de jardín a la entrada de agua, inspeccione el colador de la entrada. Limpie el colador si tiene residuos o solicite su remplazo si está dañado. Refiérase a la sección "Mantenimiento de los Anillos 'O'" si la colador de la entrada se dañado. NO haga funcionar la máquina lavadora a presión si el colador de la entrada está dañado.



4. Haga correr el agua a través de la manguera de su jardín por 30 segundos para limpiar cualquier escombros que se encuentre en ella. Fermez l'eau.

**IMPORTANT:** Ne siphonnez pas de l'eau stagnante pour vous en servir. Utilisez SEULEMENT de l'eau froide (à moins de 100°F (38°C)).

5. Conecte la manguera de jardín (no exceder 50 pies en la longitud) a la entrada del agua. Apriete con la mano.

## ATTENTION

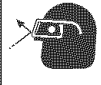
Il DOIT y avoir au moins dix pieds de tuyau d'arrosage entre la prise du nettoyeur à pression et le robinet d'arrêt de l'eau, par exemple un connecteur en "Y" ou tout autre valve d'arrêt de l'eau.

- Les dommages infligés au nettoyeur à pression par suite de ne pas avoir respecté cette consigne, ne seront pas couverts par la garantie.

6. ABRA el suministro del agua (abra la válvula de suministro completamente).



## AVERTISSEMENT



Les jets à haute pression risquent de faire voler des éclats de peinture ou d'autres particules.

- Protégez toujours vos yeux lorsque vous utilisez cet équipement ou lorsque vous êtes à proximité de quelqu'un qui l'utilise.
- Avant de démarrer le nettoyeur à pression, assurez-vous de protéger vos yeux de façon appropriée.

## Lista de Revision Previa al Arranque del Motor

Revise la unidad para asegurarse que ha llevado a cabo los siguientes procedimientos:

1. Revise que haya sido depositado aceite y esté al nivel correcto en la caja del cigüeñal del motor.
2. Deposite la gasolina adecuada en tanque del combustible.
3. Revise que todas las conexiones de las mangueras (alta presión y suministro de agua) estén apretadas correctamente y que no existan dobleces, cortes o daño de la manguera de alta presión.
4. Proporcione el suministro de agua adecuado (que no exceda los 100°F).
5. Asegúrese de leer las secciones "Reglas de Seguridad" y "Operación" antes de usar la máquina lavadora a presión.
6. Si va a encender la unidad después de haber estado almacenada, consulte la sección "Almacenamiento".

# OPÉRATION

## COMMENT UTILISER VOTRE NETTOYEUR À PRESSION

Si vous avez des problèmes à faire fonctionner votre nettoyeur à pression, n'hésitez pas à appeler le service d'assistance au 1-800-222-3136.

### Emplacement de la Nettoyeur à Pression

#### Dégagement de la Nettoyeur à Pression

#### AVERTISSEMENT



La chaleur et les gaz d'échappement peuvent enflammer des matériaux combustibles et les structures ainsi que causer des dommages au réservoir d'essence et entraîner un incendie.

- Laissez un dégagement d'au moins 1,52 m (5 pi) tout autour de la nettoyeur à pression, y compris au-dessus.

Placez la nettoyeur à pression dans un endroit bien ventilé qui permet l'élimination des gaz d'échappement mortels. N'installez pas la nettoyeur à pression dans un endroit où les gaz d'échappement pourraient s'accumuler et pénétrer ou être aspirés dans un édifice qui pourrait être occupé. Assurez-vous que les gaz d'échappement ne puissent entrer par une fenêtre, une porte, une prise d'aération ou une autre ouverture qui pourrait leur permettre de s'accumuler dans un espace restreint. Tenez aussi compte des vents dominants et des courants d'air au moment de choisir l'endroit où vous installerez la nettoyeur à pression.

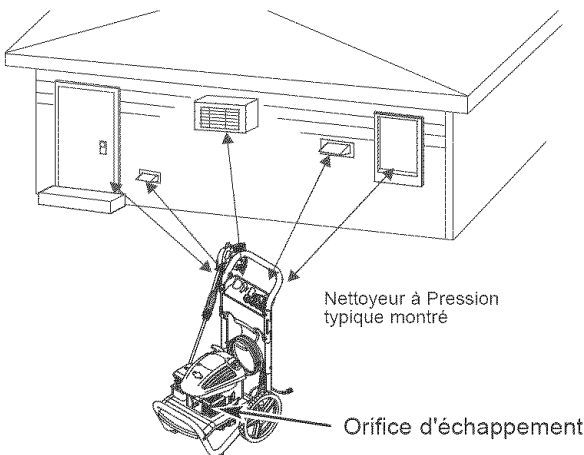
#### AVERTISSEMENT



Le nettoyeur à pression, lorsqu'il fonctionne, produit du monoxyde de carbone, un gaz toxique inodore et incolore.

Le fait de respirer du monoxyde de carbone provoque des nausées, des évanouissements ou peut être fatal.

- Faites fonctionner le nettoyeur à pression SEULEMENT à l'extérieur.
- Évitez que les gaz d'échappement entrent dans un espace restreint, par une fenêtre, une porte, une prise d'aération ou toute autre ouverture.
- NE faites PAS fonctionner le nettoyeur à pression à l'intérieur d'un bâtiment ou d'un abri, même si les portes ou les fenêtres sont ouvertes.



## Mettre Votre Nettoyeur à Pression en Marche

Pour démarrer votre nettoyeur à pression la première fois, suivez ces instructions pas à pas. Cette information qui vous aide à mettre votre nettoyeur à pression en marche s'applique également s'il est resté sans fonctionner pendant au moins une journée.

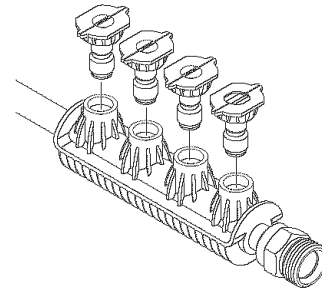
1. Placer la rondelle de pression près d'un hors de la source d'eau capable d'alimentation d'eau à un taux de flux plus grand que 2.9 gallons par la minute et aucun moins que 20 PSI à la fin de rondelle de pression du tuyau de jardin.
2. Vérifiez que le tuyau à haute pression est bien serré sur le pistolet pulvérisateur et sur la pompe. Consultez les illustrations de la rubrique "Assemblage du Nettoyeur à Pression".
3. Vérifiez que l'appareil est en position horizontale.
4. Branchez le tuyau d'arrosage à la source d'eau sur la pompe du nettoyeur à pression. **OUVREZ** le robinet d'eau.

### ATTENTION

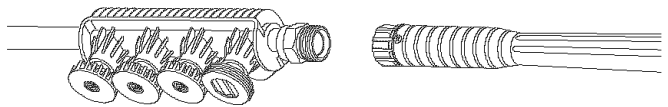
Ne faites pas marcher la pompe sans que le nettoyeur à haute pression soit connecté à la source d'eau ouverte.

- Vous devez suivre cet avertissement, au risque d'endommager la pompe.

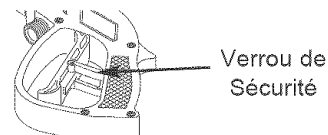
5. Serrez la gâchette sur le pistolet jusqu'à ce que vous obteniez un débit d'eau régulier. Cela purgera la pompe de l'air et des impuretés.
6. Placez les buses de raccord rapide à leur emplacement approprié sur le support relié à la rallonge de buse.



7. Fixez la rallonge du gicleur au pistolet pulvérisateur. Serrez manuellement.

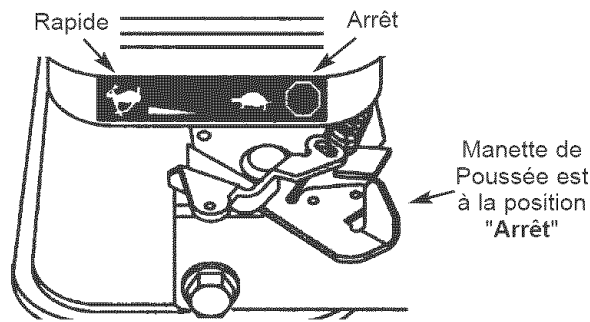


8. Choisissez la buse que vous voulez utiliser, tirez la bague de la rallonge de buse, insérez la buse, puis relâchez la bague. Vérifiez si la buse est correctement installée en tirant dessus. Consultez la section "Comment utiliser les buses".
9. Engagez le verrou de sécurité de la gâchette du pistolet pulvérisateur.



Verrou de Sécurité

10. Placez la manette de commande de puissance en position "Rapide", illustrée ici par un lapin.



**REMARQUE:** Pour redémarrer un moteur à chaud, réglez la manette de poussée sur "Rapide".

**Pour démarrer le moteur pour la première fois:**

11. Assurez-vous que la manette de poussée est à la position "Rapide" (indiquée par un lapin sur le moteur).
12. Poussez la pompe d'amorçage fermement 5 fois, en attendant 2 secondes entre chaque poussée.

**Par la suite, pour démarrer le moteur:**

11. Assurez-vous que la manette de poussée est en position "Rapide" (indiquée par un lapin sur le moteur).
12. Actionnez la pompe d'amorçage fermement 3 fois, en attendant 2 secondes entre chaque poussée. Si le moteur est chaud, N'actionnez PAS la pompe d'amorçage.
13. Lors du démarrage du moteur, placez-vous tel que recommandé, saisissez la poignée du démarreur et tirez lentement jusqu'à ce que vous sentiez de la résistance. Tirez alors rapidement pour démarrer le moteur.



14. Ramenez la poignée du démarreur lentement. NE laissez PAS le cordon se frapper contre le démarreur.

**⚠ AVERTISSEMENT**



Une rétroaction rapide de la corde du démarreur (effet de recul) tirera votre main et votre bras vers le moteur plus rapidement que vous ne pouvez relâcher la corde.

Vous risquez ainsi de subir des fractures, des ecchymoses ou des entorses.

- Avant de démarrer le moteur, dirigez TOUJOURS le pistolet vers un endroit sécuritaire et appuyez sur la détente du pistolet de pulvérisation pour libérer la haute pression et éviter un effet de recul. Lorsque vous n'utilisez pas le pistolet, engagez le verrou de la détente.
- Si le moteur démarre et qu'il s'arrête peu après ou si vous ressentez une résistance accrue au cours des tentatives de démarrage, appuyez sur la détente du pistolet de pulvérisation.
- Après chaque tentative de démarrage, alors que le moteur n'a pas démarré, dirigez toujours le pistolet vers un endroit sécuritaire et appuyez sur la détente du pistolet de pulvérisation pour libérer la haute pression.

**REMARQUE:** Toujours garder l'étrangler le levier dans le "Rapide" la position en opérant la nettoyeur à pression.

**⚠ ATTENTION**



Éviter le risque d'incendie entraîné par le basculement de l'équipement.

- Toujours utiliser la poignée pour soulever l'équipement.
- Ne JAMAIS utiliser les boyaux pour déplacer l'équipement.

**⚠ AVERTISSEMENT**



Les moteurs en fonctionnement produisent de la chaleur. La température du silencieux et des endroits à proximité peuvent atteindre, voire dépasser 150°F (65°C).

Le contact de ces pièces risque de causer de graves brûlures.



La chaleur et les gaz d'échappement peuvent enflammer des matériaux combustibles et les structures ainsi que causer des dommages au réservoir d'essence et entraîner un incendie.

- NE touchez PAS aux pièces chaudes et évitez le contact avec les gaz d'échappement.
- Laissez l'équipement refroidir avant de le toucher.
- Laissez un dégagement d'au moins 1,52 m (5 pi) tout autour de la nettoyeur à pression, y compris au-dessus.
- Le Code of Federal Regulation (CFR) Title 36 Parks, Forests, and Public Property exige que de l'équipement alimenté par un moteur à combustion interne soit doté d'un pare-étincelles et constamment maintenu en bon état fonctionnement, conformément à la norme de service 5100-1C de la USDA Forest ou à une révision de celle-ci. Dans l'État de la Californie, un pare-étincelles est requis en vertu de la section 4442 du California Public Resources Code. Il se peut que d'autres États aient des lois semblables aux terres fédérales. Si vous équipez le silencieux d'un pare-étincelles, il doit être en bon état de fonctionnement.

**Comment Arrêter Votre Nettoyeur à Pression**

1. Laissez le moteur tourner au ralenti durant deux minutes.
2. Placez le levier de papillon du moteur en position d'arrêt (Stop).
3. Dirigez toujours le pistolet vers un endroit sécuritaire et appuyez sur la détente pour libérer la haute pression d'eau retenue.



## AVERTISSEMENT



Le jet d'eau sous pression produit par cet équipement peut percer la peau et les tissus sous-jacents, risquant de provoquer des blessures graves pouvant mener à une amputation.

Le pistolet de pulvérisation retient une pression d'eau élevée, même lorsque le moteur est éteint et que l'eau est déconnectée.

- Gardez toujours le tuyau flexible à haute pression raccordé à la pompe et au pistolet de pulvérisation lorsque le système est sous pression.
- À chaque fois que vous arrêtez le moteur, dirigez TOUJOURS le pistolet vers un endroit sécuritaire et appuyez sur la détente du pistolet de pulvérisation pour libérer la haute pression. Lorsque vous n'utilisez pas le pistolet, engagez le verrou de la détente.

4. Lorsque vous n'utilisez pas le pistolet, engagez le verrou de la détente.

## Comment utiliser les buses

Le raccord rapide de la rallonge de buse vous permet de changer les quatre différentes buses. Chacune des buses donne un jet différent, tel qu'indiqué ci-dessus.

## ATTENTION

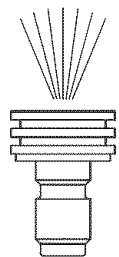
Les nettoyeurs à haute pression produisent un jet à haute pression qui accroît les risques de blessures et de dommages à l'appareil.

- Ne changez jamais les buses sans enclencher le verrou de la détente.

Pour changer les buses, veuillez suivre les directives suivantes :

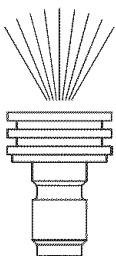
1. Engagez le verrou de la détente du pistolet de pulvérisation.
2. Tirez la bague du raccord rapide et retirez la buse qui est déjà en place. Rangez les buses dans le support fixé à la rallonge de buse.
3. Choisissez la buse désirée:
  - Pour un rinçage délicat, prenez la buse blanche 40°.

### Basse Pression

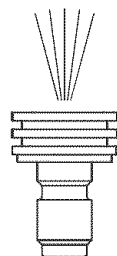


noire  
L'usage pour s'appliquer chimique

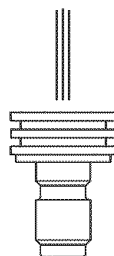
### Haute Pression



40° blanche



15° jaune



0° rouge

- Pour récurer une surface, choisissez la buse jaune 15° ou la rouge 0°.
- Pour appliquer un produit chimique, sélectionnez la buse noire.

## Conseils d'utilisation

- Tirez la bague, insérez la nouvelle buse, puis relâchez la bague. Vérifiez si la buse est correctement installée en tirant dessus.
- Pour obtenir un nettoyage optimal, gardez la buse à une distance de 8 à 24 pouces de la surface à nettoyer. Si la buse est trop près, vous risquez d'endommager la surface à nettoyer.
- Ne vous approchez pas à moins de 6 pouces lors du nettoyage de pneus.

## Utilisation de la Turbo-Lance

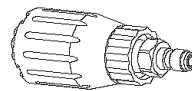
La turbo-lance procure un mouvement rotatif rapide au jet à haute pression. Commencez toujours avec la turbo-lance éloignée de la surface à nettoyer pour la rapprocher progressivement jusqu'à ce que vous obteniez la force de nettoyage désirée.

## ATTENTION

La turbo-lance produit un jet à une pression extrêmement élevée qui, si elle est maintenue trop près de la surface, peut enlever la peinture et percer des trous.

- Effectuez toujours un essai sur une section cachée de la surface à nettoyer pour vous assurer que la surface ne sera pas endommagée par le jet à haute pression.

1. Tirez la bague du raccord rapide et retirez la buse qui est déjà en place. Rangez les buses dans le support fixé à la rallonge de buse.
2. Tirez la bague, insérez la turbo-lance et relâchez la bague. Vérifiez si la turbo-lance est correctement installée en tirant dessus.



3. Le jet à haute pression est le plus efficace lorsque l'extrémité de la rallonge de buse se trouve à de 20 à 60 cm (de 8 à 24 po) de la surface à nettoyer.

**REMARQUE:** Vous ne pouvez utiliser de détergent avec la turbo-lance.

## Nettoyage et application de produits chimiques

**IMPORTANT:** Utilisez des savons conçus spécialement pour les nettoyeurs à pression. Les produits détergents ménagers risquent d'endommager la pompe.

## ATTENTION

Vous devez attacher tous les tuyaux avant de démarrer le moteur.

- Si vous démarrez le moteur sans que tous les tuyaux soient branchés et sans que l'eau soit OUVERTE, vous allez abîmer la pompe.
- Vous devez suivre cet avertissement, au risque d'endommager la pompe.

**Pour appliquer des produits détergents, procédez comme suit:**

1. Réviser la partie sur l'utilisation de la buse.
2. Préparez une solution détergente comme requis par le fabricant.
3. Placez la petite extrémité du filtre du tube siphon dans le récipient de détergent.

### ATTENTION

Évitez que le tube siphon pour les détergents ne touche le silencieux chaud.

- Lorsque vous insérez le filtre dans une bouteille de solution de détergent, placez le tube de manière à ce qu'il n'entre pas en contact par mégarde avec le silencieux chaud.

4. Assurez-vous que la buse noire est installée.

**REMARQUE:** Les buses à haute pression (blanche, jaune et rouge) ne peuvent pas être utilisées pour appliquer du détergent.

5. Assurez-vous que le tuyau d'arrosage est branché à la prise d'eau. Vérifiez que le tuyau à haute pression est branché au pistolet pulvérisateur et à la pompe. Démarrez le moteur.
6. Appliquez le détergent sur une surface sèche, en commençant par la partie inférieure de la surface à nettoyer et travaillez vers le haut, avec de longs mouvements réguliers et qui se chevauchent.
7. Laissez le détergent "tremper" pendant 3 à 5 minutes avant de laver et de rincer. Appliquez à nouveau, si besoin est, pour éviter que la surface ne sèche. **NE** laissez **PAS** le détergent sécher (pour éviter les traces).
8. Pour laver, commencez par le bas de la surface et remontez en effectuant de longs mouvements égaux qui se chevauchent.


**IMPORTANT:** Vous devez rincer le système d'injection de produits chimiques après chaque utilisation en plaçant le filtre dans un seau rempli d'eau claire, puis faire fonctionner le nettoyeur à pression à basse pression pendant 1 à 2 minutes.

## Rincer le nettoyeur à pression

**Pour rincer:**

1. Engagez le verrou de la détente du pistolet de pulvérisation.
2. Enlevez la buse noire de la rallonge de buse.
3. Sélectionnez la buse à haute pression désirée et installez-la en suivant les directives décrites dans la section « Comment utiliser les buses ».

4. **NE** placez **PAS** le pistolet pulvérisateur trop près de la surface que vous désirez pulvériser.

AVERTISSEMENT	
	Le jet à haute pression risque également de vous faire tomber si vous êtes trop proche de la surface à nettoyer.
<ul style="list-style-type: none"><li>• Pour nettoyer de façon plus efficace, tenez le gicleur à une distance de 8 à 24 pouces de la surface à nettoyer.</li><li>• Faites fonctionner et rangez cet appareil sur une surface stable.</li><li>• Soyez extrêmement prudent si vous devez utiliser le nettoyeur à pression sur une échelle, un échafaudage ou tout autre endroit relativement instable.</li><li>• Fermez le fusil de pulvérisation de compréhension avec les deux mains en utilisant l'haute pulvérisation de pression pour éviter la blessure si le fusil donne un coup de pied le dos.</li></ul>	

5. Appliquez le jet à haute pression sur une petite surface, puis vérifiez-la pour voir si elle n'est pas abîmée. Si elle n'est pas abîmée, vous pouvez continuer.
6. Commencez en haut de l'endroit que vous devez rincer, en descendant avec les mêmes mouvements qui se chevauchent comme lorsque vous avez nettoyé.

## Tube de siphonnement du détergent

Si vous utilisez le tube de siphonnement du détergent, vous devez le rincer à l'eau propre avant d'arrêter le moteur.

1. Placez le siphon/filtre d'injection de produits chimiques dans un seau rempli d'eau.
2. Fixez la buse noire.
3. Rincez durant 1 à 2 minutes.
4. Éteignez le moteur.

**IMPORTANT:** Vous devez savoir que le fait d'éteindre le moteur n'enlève pas la pression dans le système.

## Système de Refroidissement Automatique (Surpression Thermique)

Si vous faites tourner le moteur de votre nettoyeur à pression pendant 3 à 5 minutes sans appuyer sur la gâchette du pistolet pulvérisateur, l'eau qui circule dans la pompe peut atteindre une température de 51° à 68°C (125° à 155°F). Lorsque l'eau atteint cette température, le système de refroidissement automatique se déclenche et refroidit la pompe en vidant l'eau chaude sur le sol. Ce système empêche la pompe interne de s'abîmer.

# CARACTÉRISTIQUES

## RENSEIGNEMENTS TECHNIQUES SUR LE MOTEUR

Il s'agit d'un moteur à un cylindre à soupapes latérales refroidi à l'air, de type peu polluant.

Les moteurs de la série 100000 sont homologués dans l'état de la Californie par le California Air Resources Board. Selon cet organisme, ils satisferont les normes relatives aux émissions durant 125 heures d'utilisation. Ce type d'homologation ne donne à l'acheteur, au propriétaire ou à l'utilisateur aucune garantie supplémentaire en ce qui a trait à la performance ou à la durée de vie du moteur. La garantie du moteur ne couvre que les garanties relatives au produit et aux émissions dont il est fait mention ailleurs dans ce manuel.

### Puissance nominale

Les puissances nominales d'un modèle de moteur sont initialement établies en commençant par le code SAE (Society of Automotive Engineers) J1940 (Small Engine Power & Torque Rating Procedure) (Revision 2002-05). Étant donné la vaste gamme de produits sur lesquels nos moteurs sont installés, ainsi que la variété de problèmes environnementaux reliés au fonctionnement de l'équipement, il est possible que le moteur que vous avez acheté ne développe pas la puissance nominale indiquée lorsqu'il est utilisé pour entraîner un appareil (puissance d'utilisation réelle). La différence peut être reliée à divers facteurs incluant, sans s'y limiter, les suivants : différences dans l'altitude, la température, la pression barométrique, l'humidité, l'essence, la lubrification du moteur, la vitesse maximum régulée du moteur, variations individuelles d'un moteur à l'autre, conception spécifique de l'appareil entraîné, façon dont le moteur est utilisé, rodage du moteur pour réduire la friction et nettoyer les chambres de combustion, ajustement des soupapes et du carburateur et autres facteurs. Les puissances nominales peuvent également être réglées selon des comparaisons avec d'autres moteurs semblables employés à des fins similaires. Il est donc possible qu'elles ne correspondent pas aux valeurs obtenues à l'aide des codes précédents.

## CARACTÉRISTIQUES DU PRODUIT

### Caractéristiques du Nettoyeur à Haute Pression

Pression nominale .....151,7 BAR (2,200 PSI)  
Débit d'écoulement .....7,2 L/MIN (1,9 GPM)  
Détergent .....Utilisez un détergent homologué pour les pulvérisateurs  
Température De L'eau ..Ne doit pas dépasser 38°C (100°F)  
Poids à l'Expédition .....28,6 kg (63 Livres)

### Caractéristiques du Moteur

Puissance nominale .....3,35 kW (4,5 HP) à 3600 rpm  
Alésage ..... 65,09 mm (2,562 po.)  
Course de piston ..... 47,63 mm (1,875 po.)  
Cylindre ..... 158,6 cc (9,67 po.)  
Bougie d'allumage  
Type : ..... Champion RJ-19LM ou l'équivalent  
Définir l'écartement à : ..... 0,76mm (0,030 po)  
Distance d'éclatement : ... 0,15-0,25 mm (0,006-0,010 po)  
Jeu des soupapes avec ressorts de soupape installés et piston 6 mm (1/4 po) passé le point mort supérieur (à vérifier lorsque le moteur est froid).  
Admission ..... 0,13-0,18 mm (0,005-0,007 po)  
Échappement ..... 0,18-0,23 mm (0,007-0,009 po)  
Capacité du réservoir de combustible ..0,95 l (1,0 pinte US)  
Capacité du huile .....0,59 l (20 onces US)  
Huile  
Ci-dessus de 4°C (40°F) .....SAE 30  
Au-dessous de 4°C (40°F) .....SAE 5W-30 o 10W-30

**REMARQUE:** Pour un meilleur fonctionnement, la puissance utile ne devrait pas dépasser 85 % de la puissance nominale. La puissance du moteur sera réduite de 3,5 % pour chaque 300 mètres (1 000 pieds) au-dessus du niveau de la mer, et de 1 % pour chaque 5,6° C (10° F) au-dessus de 25° C (77°). Il fonctionnera de façon satisfaisante jusqu'à un angle maximum de 15°.



# ENTRETIEN

## RESPONSABILITÉS DU PROPRIÉTAIRE

Respectez le calendrier d'entretien du nettoyeur selon le nombre d'heures de fonctionnement ou le temps écoulé, le premier des deux prévalant.

Lorsque l'appareil est utilisé dans les conditions adverses décrites ci-dessous, il faut en faire l'entretien plus fréquemment.

CALENDRIER D'ENTRETIEN INSCRIVEZ LES DATES AU FUR ET À MESURE QUE VOUS EFFECTUEZ L'ENTRETIEN RÉGULIER	INTERVALLE DE FONCTIONNEMENT SELON LES HEURES D'UTILISATION					DATES D'ENTRETIEN		
	Avant chaque utilisation	Aux 25 heures ou 1 fois l'an	Aux 50 heures ou 1 fois l'an	Aux 100 heures ou 1 fois l'an	100-300 heures			
<b>NETTOYEUR À PRESSION</b>								
Vérifier/nettoyer la crépine d'eau d'arrivée	X <sup>1</sup>							
Vérifier le tuyau à haute pression	X							
Vérifier le tuyau de détergent	X							
Vérifier la présence de fuites dans le pistolet à pulvérisation et l'assemblage	X							
Purger la pompe de l'air et des impuretés qui s'y trouvent	X							
Changer l'huile de la pompe			X					
Préparer la pompe pour l'entreposage à une température inférieure à 0°C (32°F)	Voir section « Entreposage », page 49-50.							
<b>MOTEUR</b>	X							
Vérifier le niveau d'huile	X							
Nettoyez les débris	X							
Changer l'huile du moteur			X <sup>2</sup>					
Faire l'entretien du filtre à air		X <sup>3</sup>						
Faire l'entretien de la bougie d'allumage				X				
Faire l'entretien du pare-étincelles			X					
Nettoyez le système de refroidissement				X <sup>3</sup>				
Nettoyez la chambre de combustion					X			
Préparer pour l'entreposage	Si le nettoyeur ne sera pas utilisé durant plus de 30 jours. Si la unidad permanecerá sin uso por más de 30 días.							

<sup>1</sup> Nettoyez l'appareil s'il est encrassé. Remplacez toute pièce perforée ou endommagée.

<sup>2</sup> Changez l'huile après les cinq (5) premières heures de fonctionnement et par la suite aux 50 heures de fonctionnement ou une fois l'an. Nettoyez l'appareil plus souvent si vous l'utilisez dans un milieu sale ou poussiéreux.

<sup>3</sup> Remplacez les pièces plus fréquemment si vous utilisez l'appareil dans un milieu sale ou poussiéreux.

## RECOMMANDATIONS GÉNÉRAL

Un entretien régulier améliorera la performance et prolongera la durée de vie du nettoyeur à haute pression. Consultez un détaillant autorisé Sears pour l'entretien.

La garantie du nettoyeur à pression ne couvre pas les éléments soumis à l'abus ou à la négligence de l'opérateur. Pour obtenir la pleine application de la garantie, il faut que l'opérateur fasse l'entretien du nettoyeur à haute pression conformément aux directives de ce manuel d'utilisation y compris son entreposage adéquat selon les directives de la section "Entreposage" à la page 49-50.

Pour assurer l'entretien adéquat du nettoyeur à haute pression, il faut effectuer périodiquement certains réglages.

Il faut effectuer toutes les opérations d'entretien et les réglages au moins une fois par saison. Suivez les instructions du "Calendrier d'entretien" ci-dessus.

**REMARQUE:** Une fois par année, vous devez nettoyer ou remplacer la bougie d'allumage et remplacer le filtre à air. Une nouvelle bougie d'allumage et un filtre à air propre permettent d'assurer que le mélange essence-air est adéquat en plus de contribuer au meilleur fonctionnement de votre moteur et d'augmenter sa durée de vie.

## DISPOSITIF ANTIPOLLUTION

L'entretien, le remplacement ou la réparation des dispositifs et systèmes antipollution peuvent être effectués par un établissement de réparation de moteurs hors route ou par une personne qualifiée.

### Avant Chaque Utilisation

1. Vérifiez le niveau d'huile du moteur.
2. Vérifiez si la grille de la prise d'eau n'est pas abîmée.
3. Vérifiez si le filtre du tuyau n'est pas abîmé.
4. Vérifiez si le tuyau à haute pression n'a pas de fuite.
5. Vérifiez si le tube siphon pour les détergents et le filtre ne sont pas endommagés.
6. Vérifiez si le pistolet pulvérisateur et de l'assemblage de la rallonge réglable du gicleur n'ont pas de fuite.
7. Purgez la pompe de l'air et des impuretés qui s'y trouvent.



# ENTRETIEN DU NETTOYEUR À PRESSION

## Nettoyage des débris

Nettoyez les débris accumulés sur le nettoyeur à haute pression tous les jours ou avant de l'utiliser. Gardez toujours la tringlerie, le ressort et les commandes propres. Gardez la zone autour et derrière le silencieux libre de débris combustibles.

Les parties du nettoyeur à haute pression doivent être gardées propres afin de réduire le risque de surchauffe et d'inflammation des débris accumulés.

### ATTENTION

Un traitement inapproprié du nettoyeur à pression risque de l'endommager et de raccourcir sa durée d'utilisation.

- N'INSÉREZ aucun objet dans les fentes de refroidissement.
- Utilisez un linge humide pour nettoyer les surfaces extérieures.
- Utilisez une brosse à soies douces pour détacher les accumulations de saletés, d'huile, etc.
- Utilisez un aspirateur pour ramasser les saletés et débris.
- Utilisez une faible pression d'air (25 psi au maximum) pour souffler les saletés. Inspectez les fentes d'air de refroidissement et les ouvertures sur le nettoyeur à haute pression. Ces ouvertures doivent demeurer propres et non obstruées.

## Vérifiez et Nettoyez la Grille de la Prise D'eau

Inspectez la grille de la prise d'eau. Nettoyez-la si elle est bouchée ou remplacez-la si elle est endommagée.

## Vérifiez le Tuyau à Haute Pression

Le tuyau à haute pression peut avoir des fuites, s'il est usé, tordu ou mal utilisé. Inspectez le tuyau avant chaque utilisation. Vérifiez tous les tuyaux pour les coupures, les fuites, l'abrasion ou le gonflement du couvercle, ou si certains raccords sont abîmés ou mobiles. Si vous remarquez quelque chose, remplacez immédiatement le tuyau.



### AVERTISSEMENT



Le jet d'eau sous pression produit par cet équipement peut percer la peau et les tissus sous-jacents, risquant de provoquer des blessures graves pouvant mener à une amputation.

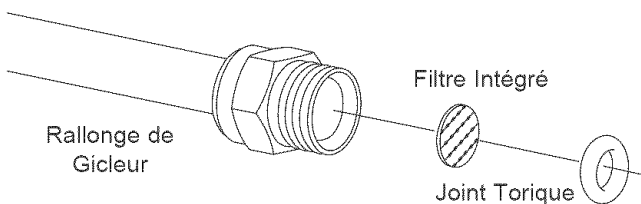
- Ne réparez jamais les tuyaux à haute pression. Remplacez.
- Le tuyau de remplacement DOIT résister à une pression supérieure à la pression nominale du nettoyeur.

## Vérifiez le Pistolet et la Rallonge de Gicleur Réglable

Inspectez le raccord du tuyau sur le pistolet pulvérisateur, s'il est correctement fixé. Essayez la gâchette en appuyant et en vous assurant qu'elle "s'enclenche" en place lorsque vous la relâchez. Placez le verrou de sécurité en position MARCHE et essayez la gâchette. Vous ne devriez pas pouvoir l'enfoncer. Remplacez le pistolet immédiatement s'il échoue un de ces essais.

## Vérifier le Filtre Intégré

Se référer à l'illustration et réparez le filtre intégré s'il est bouché, en procédant comme suit:

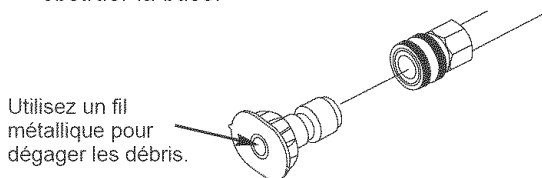


1. Détachez le pistolet pulvérisateur et la rallonge de gicleur du tuyau à haute pression. Détachez la rallonge de gicleur du pistolet pulvérisateur et enlevez le joint torique et la grille de la rallonge de gicleur. Rincez la grille, le pistolet pulvérisateur et la rallonge de gicleur réglable avec de l'eau propre pour retirer les débris.
2. Placez la grille du filtre intégré dans l'extrémité fileté de la rallonge du gicleur. La direction importe peu. Faites entrer la grille avec l'extrémité gomme d'un crayon jusqu'à ce qu'elle s'encastre à plat au fond de l'ouverture. Faites attention de ne pas plier la grille.
3. Placez le joint torique dans l'encoche. Serrez le joint torique contre la grille du filtre intégré.
4. Assemblez la rallonge du gicleur au pistolet pulvérisateur, comme il est expliqué plus haut dans ce manuel.

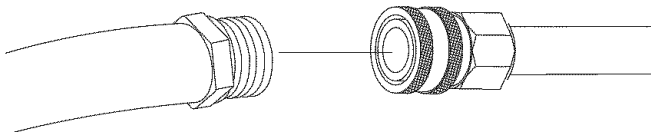
## Entretien du Gicleur

Si vous sentez un effet de pulsation en appuyant sur la détente du pistolet de pulvérisation, c'est que la pression de la pompe est peut-être trop élevée. Cela peut se produire si la buse est obstruée, complètement ou en partie, par un corps étranger, comme des saletés, etc. Pour remédier à ce problème, nettoyez immédiatement la buse en suivant ces instructions :

1. Éteignez le moteur et fermez l'alimentation en eau.
2. Enlevez la buse de l'extrémité de la rallonge de buse.
3. Enlevez le filtre intégré à l'autre extrémité de la rallonge de buse.
4. Utilisez un trombone pour dégager tout élément pouvant obstruer la buse.



5. À l'aide d'un tuyau d'arrosage, enlevez les débris supplémentaires en rinçant la rallonge de buse. Rincez-la pendant 30 à 60 secondes.




6. Réinstallez la buse et le filtre intégré dans la rallonge de buse.
7. Rebranchez la rallonge de buse sur le pistolet de pulvérisation.

- Rebranchez l'alimentation en eau, ouvrez l'eau et démarrez le moteur.
- Testez le nettoyeur à haute pression en l'utilisant avec chaque buse à raccord rapide.

## Entretien du Joint Torique

Procurez-vous un nécessaire de réparation de joint torique, article numéro 191922GS, le centre de service Sears. Ce nécessaire n'est pas inclus avec le nettoyeur à haute pression. Le nécessaire comprend des joints toriques de rechange, une rondelle de caoutchouc et un filtre d'arrivée d'eau. Pour remplacer les joints toriques de votre nettoyeur, consultez la feuille d'instructions fournie avec le nécessaire.

**⚠ AVERTISSEMENT**



Le jet d'eau sous pression produit par cet équipement peut percer la peau et les tissus sous-jacents, risquant de provoquer des blessures graves pouvant mener à une amputation.

- Ne réparez JAMAIS des raccords non étanches à l'aide de scellant. Remplacez le joint torique ou le joint d'étanchéité.

## Entretien de la Pompe

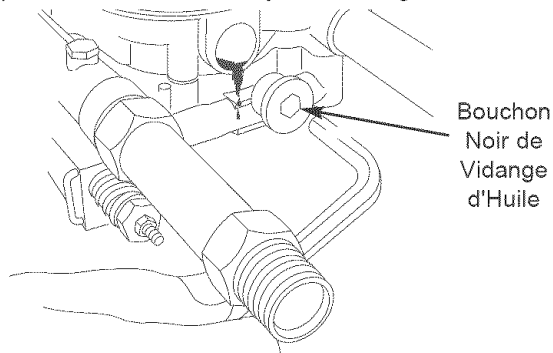
### Vidange de l'huile

Remplacer l'huile toutes les 50 heures, ou un fois par an, si cette période échoit la première.

**REMARQUE:** Vous devez vous procurer une bouteille graduée d'huile à pompe, article numéro 190586GS le centre de service Sears.

### Vidanger la pompe selon la procédure suivante:

- Vidanger l'huile moteur et l'essence du nettoyeur haute pression.
- Au moyen d'un clé six pans mâle, déposer le bouchon noir de vidange d'huile placé entre la sortie haute pression et l'entrée de tuyau d'arrosage.



- Incliner le nettoyeur haute pression sur le côté pour vidanger l'huile complètement de la pompe dans un récipient homologué pour cet usage.
- Renverser le nettoyeur haute pression dans la direction opposée et remplir la pompe avec l'huile recommandée par le même orifice (un petit entonnoir peut s'avérer utile).
- Remettre le bouchon noir en place et le serrer fermement.
- Mettre le nettoyeur haute pression dans sa position normale. Mettre de l'essence et faire le niveau d'huile moteur.

## ENTRETIEN DU MOTEUR

**⚠ AVERTISSEMENT**



Unintentional peut résulter dans feu ou électrique.



**LORSQUE VOUS RÉGLEZ OU RÉPAREZ VOTRE NETTOYEUR À PRESSION**

- Débranchez toujours le câble de bougie et placez-le de façon à ce qu'il ne soit pas en contact avec la bougie.

**LORS DE TESTS D'ALLUMAGE DU MOTEUR**

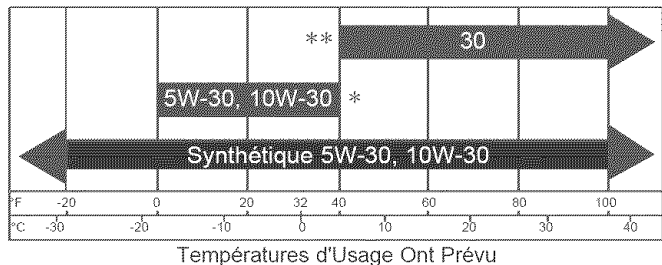
- Utilisez un vérificateur de bougies d'allumage approuvé.
- NE vérifiez PAS l'allumage lorsque la bougie d'allumage est enlevée.

## Huile

### Recommandations relatives à l'huile

**REMARQUE:** N'ajoutez au carter de moteur que de l'huile détergente de haute qualité ayant une des cotes de service API suivantes : SF, SG, SH, SJ ou plus. N'utilisez PAS d'additifs spéciaux.

- Choisissez la viscosité de l'huile en fonction du tableau suivant:



\* L'utilisation d'huiles à viscosité multiple (5W-30, 10W-30, etc.) alors que la température est supérieure à 4°C (40°F) entraînera une consommation d'huile plus élevée que la normale. Vérifiez l'huile plus souvent lorsque vous utilisez une huile à viscosité multiple.

\*\* L'utilisation d'huile SAE 30 à une température inférieure à 4°C (40°F) pourrait rendre le démarrage difficile et causer des dommages à l'alésage du moteur en raison d'une lubrification inadéquate.

**REMARQUE:** L'huile synthétique respectant la marque d'homologation ILSAC GF-2, API et portant le symbole d'entretien API avec la mention "SJ/CF (économie d'énergie)" ou plus, est une huile acceptable pour toutes les températures. L'utilisation d'huile synthétique ne modifie pas les intervalles de changement d'huile.

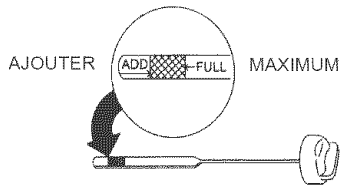
### Vérification du niveau d'huile

Il est nécessaire de vérifier le niveau d'huile avant chaque utilisation ou après chaque période de 5 heures d'utilisation. Gardez un niveau d'huile constant.

- Assurez-vous que nettoyeur à pression se trouve sur une surface de niveau.
- Enlevez la jauge d'huile et nettoyez-la avec un linge. Remplacez-la et resserrez-la. Retirez la jauge et vérifiez le niveau d'huile.
- Vérifiez que l'huile est à la marque « Full » sur la jauge de niveau d'huile. Remplacez-la et resserrez-la.

## Ajout d'huile

1. Assurez-vous que nettoyeur à pression se trouve sur une surface de niveau.
2. Vérifiez le niveau d'huile de la manière décrite dans la rubrique "Vérification du niveau d'huile".
3. Au besoin, videz lentement l'huile dans l'orifice de remplissage d'huile, jusqu'à marque « Full » sur la jauge de niveau d'huile. NE remplissez PAS trop le carter d'huile.



4. Remplacez-la et resserrez-la.

## Vidange de l'huile moteur

Changez l'huile après les cinq (5) premières heures d'opération et par la suite aux 50 heures d'opération. Si vous utilisez votre nettoyeur à pression dans un endroit très sale ou poussiéreux ou par temps très chaud, changez l'huile plus fréquemment.

	<b>ATTENTION</b>
Évitez tout contact cutané prolongé ou répété avec l'huile moteur usagée.	
<ul style="list-style-type: none"><li>• Il a été démontré que l'huile moteur usagée risque de provoquer un cancer de la peau chez certains animaux de laboratoire.</li><li>• Rincez consciencieusement les zones exposées avec de l'eau et du savon.</li></ul>	



**GARDEZ HOS DE PORTÉE DES ENFANTS. NE POLLUEZ PAS. CONSERVEZ LE SURPLUS. RAPPORTEZ L'HUILE USAGÉE AUX CENTRES DE RECYCLAGE.**

Changez l'huile alors que le moteur est encore chaud, de la façon suivante:

1. Videz le réservoir d'essence en faisant tourner le nettoyeur à pression jusqu'à l'épuisement de l'essence.
2. Débranchez le fil de la bougie d'allumage et gardez-le éloigné de la bougie d'allumage.
3. Nettoyez la surface autour de l'orifice de remplissage d'huile, enlevez le bouchon de remplissage d'huile et la jauge d'huile. Essuyez la jauge d'huile.
4. Inclinez votre nettoyeur à haute pression pour vidanger l'huile par l'orifice de remplissage dans un contenant adéquat en vous assurant d'incliner le nettoyeur du côté opposé à la bougie d'allumage et au filtre à air. Une fois le carter vidé de son huile, remettez le nettoyeur debout.
5. Videz lentement l'huile (environ 20 oz (0,6 l)) dans l'orifice de remplissage d'huile, jusqu'à marque « Full » sur la jauge de niveau d'huile.
6. Essuyez la jauge d'huile chaque fois que vous vérifiez le niveau d'huile. NE remplissez PAS trop le carter d'huile.
7. Remplacez-la et resserrez-la.
8. Essuyez toute huile restante.
9. Rebranchez le fil de la bougie d'allumage à la bougie d'allumage.

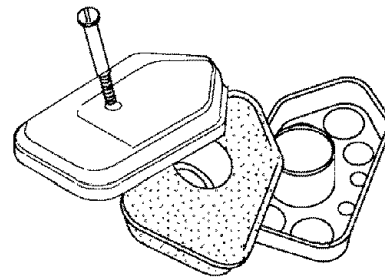
## Entretien du filtre à air

Votre moteur ne fonctionnera pas adéquatement et pourrait s'endommager si vous le faites fonctionner avec un filtre à air sale.

Faites l'entretien du filtre à air après toutes les 25 heures d'utilisation ou une fois par an, le premier des deux prévalant. Remplacez le filtre plus souvent si vous utilisez le nettoyeur dans un endroit sale ou poussiéreux. Vous trouverez des pièces de rechange au centre de service Sears de votre région.

**Pour faire l'entretien du filtre à air, procédez comme suit:**

1. Enlevez la vis.
2. Enlevez l'ensemble filtre à air avec soin de manière à éviter la chute de débris dans le carburateur.

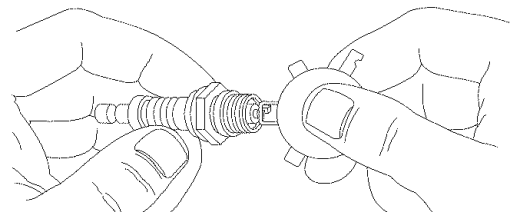


3. Démontez l'ensemble filtre à air et nettoyez-en toutes les pièces. Nettoyez le filtre à air en mousse dans un mélange de détergent liquide et d'eau. Séchez le filtre en le comprimant dans un linge propre.
4. Saturiez le filtre à air en mousse d'huile à moteur et compressez-le dans un linge propre pour enlever l'excédent d'huile.
5. Remontez l'ensemble filtre à air avec le filtre en mousse propre ou un filtre neuf.
6. Fixez solidement l'ensemble filtre à air sur le carburateur avec la vis.

## Entretien de la bougie d'allumage

Faites l'entretien de la bougie d'allumage aux 100 heures d'opération ou annuellement, le premier des deux prévalant.

1. Nettoyez la surface autour de la bougie d'allumage.
2. Enlevez la bougie d'allumage et examinez-la.
3. Si les électrodes sont usées ou si la porcelaine est craquée ou écaillée, remplacez la bougie d'allumage avec une bougie recommandée.
4. Vérifiez l'écartement des électrodes à l'aide d'une jauge d'épaisseur et si nécessaire, réglez l'écartement à 0,76 mm (0,03 po).



5. Installez la bougie d'allumage et serrez-la solidement.

## Entretien du pare-étincelles

À la sortie de l'usine, votre moteur n'est pas muni d'un pare-étincelles. Cependant, dans certaines régions, il est illégal d'utiliser un moteur sans pare-étincelles. Veuillez donc vérifier les lois et règlements locaux. Vous pouvez vous procurer un pare-étincelles au centre de service Sears le plus près de chez vous.

Afin de vous assurer que le pare-étincelles fonctionne toujours bien, vous devez effectuer un entretien après chaque 50 heures d'utilisation.

Si le moteur fonctionne depuis un certain temps, le silencieux peut être très chaud. Laissez-le refroidir avant d'effectuer l'entretien du pare-étincelles.

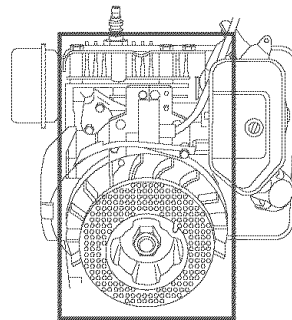
 <b>AVERTISSEMENT</b>	
	Les moteurs en fonctionnement produisent de la chaleur. La température du silencieux et des endroits à proximité peuvent atteindre, voire dépasser 150°F (65°C).
	Le contact de ces pièces risque de causer de graves brûlures.
	La chaleur et les gaz d'échappement peuvent enflammer des matériaux combustibles et les structures ainsi que causer des dommages au réservoir d'essence et entraîner un incendie.
<ul style="list-style-type: none"><li>• NE touchez PAS aux pièces chaudes et évitez le contact avec les gaz d'échappement.</li><li>• Laissez l'équipement refroidir avant de le toucher.</li><li>• Laissez un dégagement d'au moins 1,52 m (5 pi) tout autour de la nettoyeur à pression, y compris au-dessus.</li><li>• Le Code of Federal Regulation (CFR) Title 36 Parks, Forests, and Public Property exige que de l'équipement alimenté par un moteur à combustion interne soit doté d'un pare-étincelles et constamment maintenu en bon état fonctionnement, conformément à la norme de service 5100-1C de la USDA Forest ou à une révision de celle-ci. Dans l'État de la Californie, un pare-étincelles est requis en vertu de la section 4442 du California Public Resources Code. Il se peut que d'autres États aient des lois semblables aux terres fédérales. Si vous équipez le silencieux d'un pare-étincelles, il doit être en bon état de fonctionnement.</li></ul>	

- Enlevez l'écran de pare-étincelles pour procéder au nettoyage et à l'inspection.
- S'il est endommagé, remplacez l'écran.

## Système de refroidissement à air

Avec le temps, les débris peuvent s'accumuler dans les ailettes de refroidissement du cylindre et ne peuvent être repérés que par un désassemblage partiel du moteur. Nous vous recommandons donc de demander à un distributeur de service Sears autorisé de nettoyer le système de refroidissement aux intervalles recommandés (consultez la section « Calendrier d'entretien » à la page 44). Il est aussi important de garder le moteur libre de débris. Consultez la section « Nettoyage des débris ».

Assurez-vous qu'il n'y a pas de débris dans la zone de ligne à haute pression.



## Nettoyage de la chambre de combustion

Nous vous recommandons de faire enlever les dépôts de combustion du cylindre, de la culasse, de la tête du piston et autour des soupapes par un distributeur de service Sears autorisé, et ce, aux intervalles recommandés (consultez la section « Calendrier d'entretien » à la page 44).

# RANGEMENT

## APRÈS CHAQUE UTILISATION

L'eau ne doit pas demeurer dans le nettoyeur durant une longue période de temps. Des sédiments ou des minéraux pourraient s'accumuler sur les pièces de la pompe et bloquer son mouvement. Suivez la procédure suivante après chaque utilisation:

1. Nettoyez à grande eau le tube de siphonnement du détergent en plaçant le filtre dans un seau d'eau propre tout en maintenant le nettoyeur à haute pression en marche en mode pression faible. Nettoyez à grande eau durant une ou deux minutes.
2. Éteignez le moteur et laissez-le refroidir; enlevez ensuite tous les tuyaux.
3. Débranchez le fil de la bougie d'allumage de la bougie d'allumage.
4. Videz la pompe de tout liquide en tirant sur la poignée du lanceur environ 6 fois. Cette opération devrait suffire pour enlever presque tout le liquide dans la pompe.
5. Si vous remisez le nettoyeur durant plus de 30 jours, consultez la section "Entreposage à long terme" à la page 50.
6. Enroulez le tuyau à haute pression et inspectez-le pour vous assurer qu'il n'est pas endommagé. Une coupure ou une effilochure du tuyau pourrait causer des fuites ou une perte de pression. Si vous décelez des dommages, remplacez le tuyau. NE tentez PAS de réparer un tuyau endommagé. Remplacez le tuyau par une pièce Sears d'origine.
7. Débranchez le tuyau du pistolet de pulvérisation et de la sortie haute pression de la pompe. Vidangez l'eau du tuyau, du pistolet et de la rallonge de buse. Utilisez un chiffon pour essuyer le tuyau.
8. Rebranchez le fil de la bougie d'allumage à la bougie.
9. Entrepochez le nettoyeur dans un endroit propre et sec.



### AVERTISSEMENT



L'essence et ses vapeurs sont extrêmement inflammables et explosives.



Le feu ou l'explosion risque de provoquer des blessures graves, pouvant être fatales.

#### LORSQUE VOUS ENTREPOSEZ L'ESSENCE OU UN ÉQUIPEMENT AVEC UN RÉSERVOIR À ESSENCE

- Entrepochez-le loin des appareils de chauffage, des fours, des chauffe-eau, des sècheuses ou de tout autre appareil électroménager disposant d'une veilleuse ou de toute autre source d'inflammation risquant d'enflammer les vapeurs d'essence.

#### LORS DE LA VIDANGE DU CARBURANT

- Éteignez le nettoyeur à pression et laissez-le refroidir au moins 2 minutes avant de retirer le capuchon du réservoir de carburant. Desserrez lentement le capuchon pour laisser la pression s'échapper du réservoir.
- Remplissez ou vidangez le réservoir d'essence à l'extérieur.
- Éloignez l'essence des étincelles, des flammes, des veilleuses, de la chaleur et de toute autre source d'inflammation.
- N'ALLUMEZ PAS de cigarette ou ne fumez pas à proximité de l'appareil.

## ENTREPOSAGE POUR L'HIVER

### ATTENTION

Vous devez protéger votre appareil contre le gel.

- Si vous ne le faites pas, vous pouvez causer des dommages irréversibles à votre pompe qui la rendront inutilisable.
- Les dommages causés par le gel ne sont pas couverts par la garantie.

#### Pour protéger l'appareil contre le gel:

1. Nettoyez à grande eau le tube de siphonnement du détergent en plaçant le filtre dans un seau d'eau propre tout en maintenant le nettoyeur à haute pression en marche en mode pression faible. Nettoyez à grande eau durant une ou deux minutes.
2. Videz la pompe de tout liquide pompé en tirant sur la poignée du lanceur environ 6 fois. Cette opération devrait suffire pour enlever presque tout le liquide dans la pompe.
3. Utilisez « Pump Saver », un produit disponible chez Sears pour traiter votre pompe. Ce produit vous permet de réduire les dommages causés par le gel et de lubrifier les pistons et les joints.
4. Si « Pump saver » n'est pas disponible, raccordez une section de tuyau d'arrosage de 1 m (3 pi) de long à un raccord d'eau d'arrivée. Versez de l'antigel de véhicule de plaisance (antigel sans alcool) dans le tuyau. Tirez sur la poignée du lanceur deux fois. Débranchez le tuyau de 1 m.

## ENTREPOSAGE À LONG TERME

Si vous ne prévoyez pas utiliser le nettoyeur à haute pression durant plus de 30 jours, vous devez préparer le moteur et la pompe pour l'entreposage à long terme.

Pendant la période d'entreposage, il est important d'empêcher la formation de dépôts de gomme dans les parties importantes du système d'alimentation comme le carburateur, le filtre à essence, le tuyau souple de carburant ou le réservoir. De plus, l'expérience a démontré que les carburants à l'alcool (appelés gazohol, éthanol ou méthanol) attire l'humidité, ce qui entraîne la séparation et la formation d'acides durant l'entreposage. Les gaz acides peuvent endommager le système d'alimentation d'un moteur pendant l'entreposage.

### Protection du système d'alimentation

#### Additif de carburant :

Si vous ajoutez un additif de carburant, remplissez le réservoir à essence avec de l'essence fraîche. Si le réservoir n'est que partiellement rempli, l'air présent augmentera la détérioration de l'essence durant son entreposage. Vous pouvez entreposer le moteur et l'essence durant une période maximale de 24 mois avec un additif.

- Ajoutez un additif de carburant en suivant les directives du fabricant.
- Assurez-vous que l'alimentation en eau est connectée à l'entrée de la pompe et qu'elle est ouverte.
- Laissez tourner le moteur à l'extérieur pendant 10 minutes pour vous assurer que l'essence traitée a remplacé l'essence non traitée dans le carburateur.

Si vous n'utilisez pas d'additif, videz le réservoir à essence et laissez tourner le moteur jusqu'à ce qu'il tombe en panne d'essence.

### Changement de l'huile

Alors que le moteur est encore chaud, vidangez l'huile du carter. Remplissez le carter à nouveau avec de l'huile de la qualité recommandée. Consultez la section "Changement d'huile" à la page 47.

### Huilage de l'alésage du cylindre

- Enlevez la bougie d'allumage. Versez environ 15 ml (1/2 once) d'huile à moteur propre dans l'alésage. Couvrez le trou de bougie à l'aide d'un chiffon. Tirez lentement la poignée du lanceur pour distribuer l'huile. Évitez les éclaboussures provenant du trou de la bougie d'allumage.
- Installez la bougie. NE branchez PAS le câble de la bougie.

### Protection de la pompe

Pour protéger la pompe, utilisez Pump Saver de Sears; vous préviendrez ainsi les dommages causés par le gel et lubrifierez les pistons et les joints.

#### ATTENTION

**Vous devez protéger votre appareil contre le gel.**

- Si vous ne le faites pas, vous pouvez causer des dommages irréversibles à votre pompe qui la rendront inutilisable.
- Les dommages causés par le gel ne sont pas couverts par la garantie.

**REMARQUE:** Pump Saver de Sears est disponible en option. Il n'est pas fourni avec le nettoyeur à haute pression.



#### ATTENTION

**Veillez lire les mises en garde et les avertissements mentionnés sur l'étiquette du contenant de PumpSaver.**

- Portez toujours une protection des yeux adéquate lorsque vous utilisez PumpSaver.

#### Pour utiliser Pump Saver :

1. Raccordez le tuyau de la boîte de Pump Saver à l'entrée de la pompe.
2. Enfoncez le dessus de la boîte pour distribuer le fluide de Pump Saver.
3. La pompe sera protégée lorsque le fluide de Pump Saver commencera à sortir de la sortie de la pompe.
4. Retirez Pump Saver de l'entrée de la pompe.

### AUTRES DIRECTIVES

- N'entreposez PAS de carburant d'une saison à l'autre.
- Si possible, entreposez votre nettoyeur à l'intérieur et couvrez-le pour le protéger contre la poussière et les saletés. ASSUREZ-VOUS DE VIDER LE RÉSERVOIR D'ESSENCE.



#### AVERTISSEMENT



**Les couvertures de rangement peuvent être inflammables.**

- NE placez JAMAIS une couverture de rangement sur un nettoyeur à haute pression.
- Laissez l'appareil refroidir suffisamment avant de placer la couverture de rangement dessus.

# DÉPANNAGE

Problème	Cause	Correction
La pompe a les problèmes suivants: pas de pression, pression irrégulière, pression, claquement, perte de pression, faible débit d'eau.	<ol style="list-style-type: none"> <li>1. Buse à basse pression installée.</li> <li>2. Entrée d'eau bloquée.</li> <li>3. Pas assez d'eau qui arrive.</li> <li>4. Tuyau d'entrée tortillé ou avec fuites.</li> <li>5. Filtre de tuyau bouché.</li> <li>6. Eau à plus de 100°F.</li> <li>7. Tuyau de sortie bloqué ou avec fuites.</li> <li>8. Le pistolet fuit.</li> <li>9. La buse est obstruée.</li> <li>10. La pompe est défectueuse.</li> </ol>	<ol style="list-style-type: none"> <li>1. Remplacez la buse par la buse à haute pression.</li> <li>2. Dégager l'entrée d'eau.</li> <li>3. Fournir un débit adéquat.</li> <li>4. Redresser le tuyau, boucher la fuite.</li> <li>5. Vérifier et nettoyer le filtre du tuyau d'entrée.</li> <li>6. Ayez une eau plus froide.</li> <li>7. Débloquez le tuyau de sortie.</li> <li>8. Remplacer le pistolet.</li> <li>9. Nettoyez la buse.</li> <li>10. Contacter votre concessionnaire Sears.</li> </ol>
Le détergent ne se mélange pas avec le jet.	<ol style="list-style-type: none"> <li>1. Le tube n'est pas submergé.</li> <li>2. Le filtre du tube est bouché.</li> <li>3. Le filtre intégré sale.</li> <li>4. Buse à haute pression installée.</li> </ol>	<ol style="list-style-type: none"> <li>1. Insérer le tube dans le détergent.</li> <li>2. Nettoyer ou remplacer le tube et/ou le filtre.</li> <li>3. Voir "Vérifier le Filtre Intégré".</li> <li>4. Remplacez la buse par la buse à basse pression.</li> </ol>
Le moteur tourne sans charge mais cale quand une charge est ajoutée.	Vitesse trop lente du moteur.	Mettre l'accélérateur sur FAST. Si le moteur continue à caler contacter votre concessionnaire fabricant de moteur.
Le moteur ne démarre pas, ou il démarre et a des ratés.	<ol style="list-style-type: none"> <li>1. Filtre à air encrassé.</li> <li>2. Panne d'essence.</li> <li>3. Essence éventée.</li> <li>4. Fil de bougie non branché à la bougie.</li> <li>5. Bougie défectueuse.</li> <li>6. Eau présente dans l'essence.</li> <li>7. Mélange d'essence trop riche.</li> <li>8. Soupape d'admission bloquée en position ouverte ou fermée.</li> <li>9. Perte de compression du moteur.</li> </ol>	<ol style="list-style-type: none"> <li>1. Nettoyez ou remplacez le filtre à air.</li> <li>2. Faites le plein du réservoir.</li> <li>3. Vidangez le réservoir; faites le plein avec de l'essence nouvelle.</li> <li>4. Branchez le fil à la bougie.</li> <li>5. Remplacez la bougie.</li> <li>6. Vidangez le réservoir; faites le plein avec de l'essence nouvelle.</li> <li>7. Contactez le centre de service Sears.</li> <li>8. Contactez le centre de service Sears.</li> <li>9. Contactez le centre de service Sears.</li> </ol>
El motor se apaga durante la operación.	Sin gasolina.	Llene el tanque de combustible.
Manque de puissance du moteur.	Filtre à air encrassé.	Remplacez le filtre à air.

# REMARQUES



# REMARQUES

# GARANTIE DU DISPOSITIF ANTIPOLLUTION

Sears, Roebuck and Co., U.S.A. (Sears), le California Air Resources Board (CARB)  
et le United States Environmental Protection Agency (U.S. EPA)

## Énoncé de garantie du dispositif antipollution (Droits et obligations du propriétaires relatifs à la garantie contre les défauts)

Le California Air Resources Board (CARB), l'USEPA et Sears sont heureux de vous expliquer la garantie couvrant le dispositif antipollution de votre petit moteur hors route. En Californie, les nouveaux modèles de petits moteurs hors route de l'année 2006 et ultérieurs doivent être conçus, construits et équipés de façon à respecter les normes anti-smog rigoureuses de l'état.

Ailleurs aux États-Unis, les nouveaux moteurs à étincelles hors route homologués, modèles 1997 ou plus récents, doivent respecter des normes semblables définies par l'USEPA. Sears doit garantir le dispositif antipollution de votre moteur pour les périodes indiquées ci-dessous, à condition qu'il n'y ait pas eu d'abus, de négligence, de mauvais entretien sur ledit moteur.

Votre dispositif antipollution comprend des pièces comme le carburateur, le filtre à air, le système d'allumage, le conduit d'essence, le silencieux et le convertisseur catalytique. Il peut aussi y avoir des connecteurs et d'autres dispositifs reliés aux émissions.

Dans le cas d'un défaut couvert par la garantie, Sears réparera votre petit moteur hors route sans frais, et ce, incluant le diagnostic, les pièces et la main d'œuvre.

### Couverture de garantie contre les défauts du dispositif antipollution de Sears

La garantie de votre petit moteur hors route couvre les pièces défectueuses du dispositif antipollution pour une période de deux ans, sujette aux dispositions détaillées ci-dessous. Si une pièce de votre moteur couverte par la garantie est défectueuse, Sears la réparera ou la remplacera.

### Responsabilités de la garantie du propriétaire

En tant que propriétaire de petit moteur hors route, vous êtes responsable de l'exécution de l'entretien requis indiqué dans vos instructions d'utilisation et d'entretien. Sears recommande de conserver tous les reçus reliés à l'entretien de votre petit moteur hors route; toutefois, Sears ne peut refuser la garantie uniquement parce que vous êtes dans l'impossibilité de produire les reçus ou que vous n'avez pas effectué toutes les étapes de l'entretien prévu.

Néanmoins, vous devez savoir, en tant que propriétaire de petit moteur hors route, que Sears peut renier la garantie si votre moteur ou une pièce font défaut en raison d'abus, de négligence, d'entretien inadéquat ou de modifications non approuvées.

Dès qu'un problème survient, vous avez la responsabilité de faire examiner votre moteur à un distributeur de service Sears autorisé.

Les réparations couvertes par la garantie non contestées doivent être effectuées dans un délai raisonnable, n'excédant pas 30 jours.

Si vous avez des questions au sujet de vos droits et responsabilités reliés à la garantie, veuillez communiquer avec un représentant de Sears au 1-800-469-4663.

La garantie du dispositif antipollution est une garantie contre les défauts. Les défauts sont évalués selon la performance normale du moteur. La garantie n'est pas reliée à un test du dispositif antipollution à l'usage.

### Dispositions de la garantie contre les défauts du dispositif antipollution de Sears

Les dispositions qui suivent sont spécifiques à la couverture de garantie contre les défauts du dispositif antipollution. Elle est un ajout à la garantie sur les moteurs de Sears pour les moteurs non régulés, figurant dans les instructions d'utilisation et d'entretien.

#### 1. Pièces garanties

La couverture de cette garantie n'englobe que les pièces énumérées ci-dessous (pièces du dispositif antipollution) dans la mesure où ces pièces étaient présentes sur le moteur au moment de l'achat.

- a. Système de contrôle d'alimentation en carburant
- Dispositif d'enrichissement pour démarrage à froid

Carburateur et pièces internes

Pompe à carburant

Conduit d'essence, raccords de conduit d'essence, brides de serrage

- b. Circuit d'entrée d'air

Filtre à air

Collecteur d'admission

- c. Système d'allumage

Bougie(s) d'allumage

Système d'allumage à magnéto

- d. Système de catalyseur

Convertisseur catalytique

Collecteur d'échappement

Système d'injection d'air ou soupape d'impulsion

- e. Éléments divers

Soupapes et interrupteurs de dépression, de température, de position, à délai critique

Connecteurs et dispositifs

#### 2. Durée de la couverture

Sears garantit au propriétaire initial et à tous les acheteur que les pièces garanties seront libres de tout défaut de matériel et de main d'œuvre qui pourrait entraîner la défectuosité des pièces garanties, et ce, pour une période de deux ans à compter de la date de livraison du moteur à un acheteur au détail.

#### 3. Aucun frais

La réparation ou le remplacement de toute pièce garantie s'effectuera sans frais pour le propriétaire, y compris la main d'œuvre reliée au diagnostic concluant qu'une pièce garantie est effectivement défectueuse, si le diagnostic est effectué dans un distributeur de service Sears autorisé.

#### 4. Réclamations et exclusions de couverture

Les réclamations au titre de la garantie doivent être présentées conformément aux dispositions de la politique de garantie de Sears. La couverture de garantie n'englobe pas les défectuosités sur des pièces garanties qui ne sont pas les pièces originales de Sears ou les défectuosités reliées à un abus, de la négligence ou un entretien inapproprié tel que détaillé dans la politique de garantie du moteur de Sears. Sears n'a pas la responsabilité de couvrir les défectuosités des pièces garanties causées par l'utilisation de pièces ajoutées, non originales ou modifiées.

#### 5. Entretien

Toute pièce garantie dont le remplacement n'est pas prévu dans l'entretien requis, ou qui ne doit faire l'objet que d'une inspection régulière et qu'il ne faut que "réparer ou remplacer au besoin", est garantie contre les défectuosités pour la durée de la période de garantie. Toute pièce garantie dont le remplacement fait partie de l'entretien requis est garantie contre les défauts seulement pour la période se terminant au premier remplacement prévu de ladite pièce. Toute pièce de rechange dont la performance et la durabilité sont équivalentes peut être utilisée pour l'entretien ou les réparations. Le propriétaire est responsable de l'exécution de l'entretien requis, indiqué dans le présent instructions d'utilisation et d'entretien de Sears.

#### 6. Couverture indirecte

La couverture prévue aux présentes englobe toute défectuosité de l'un des composants du moteur causée à la suite d'une défectuosité d'une des pièces garanties encore couverte par la garantie.

Aux États-Unis et au Canada, l'assistance téléphonique de 24 heures, au 1-800-469-4663, comprend un menu de messages préenregistrés qui procure des renseignements sur l'entretien du produit.

## Période de durabilité des émissions et indice de pollution atmosphérique sur l'étiquette d'émissions du moteur

Les renseignements concernant la période de durabilité des émissions et l'indice de pollution atmosphérique doivent être fournis avec les moteurs qui répondent aux normes relatives aux émissions de catégorie 2 de la California Air Resources Board (CARB). Le fabricant du moteur doit fournir ces renseignements aux consommateurs sur des étiquettes d'émissions.

La **période de durabilité des émissions** décrit le nombre d'heures pendant lesquelles le moteur peut fonctionner en respectant les normes relatives aux émissions, en supposant que l'entretien est effectué conformément aux directives de fonctionnement et d'entretien. Les catégories utilisées sont les suivantes :

**Modéré** : Le moteur peut fonctionner pendant 125 heures tout en respectant la norme relative aux émissions.

**Intermédiaire** : Le moteur peut fonctionner pendant 250 heures tout en respectant la norme relative aux émissions.

**Prolongé** : Le moteur peut fonctionner pendant 500 heures tout en respectant la norme relative aux émissions.

Par exemple, l'utilisation d'une tondeuse poussée est d'environ 20 à 25 heures par année. Par conséquent, la **période de durabilité des émissions** d'un moteur de catégorie **intermédiaire** équivaut à une période de 10 à 12 années.

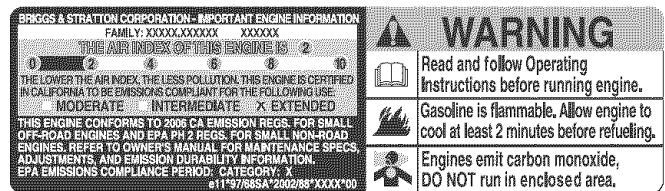
L'**indice de pollution atmosphérique** est un nombre calculé décrivant le taux relatif d'émissions pour un groupe de moteurs donné. Plus l'**indice de pollution atmosphérique** est faible, plus le moteur est dit « propre ». Ces renseignements sont affichés sous forme graphique sur l'étiquette d'émissions.

## Période de conformité des émissions sur l'étiquette de conformité des émissions du moteur

À compter du 1er juillet 2000, certains moteurs Sears respecteront les normes relatives aux émissions de phase 2 de la United States Environmental Protection Agency (USEPA). Dans le cas des moteurs homologués phase 2, la période de conformité des émissions indiquée sur l'étiquette de conformité des émissions indique le nombre d'heures de fonctionnement pendant lesquelles le moteur a démontré qu'il respectait les exigences fédérales en matière d'émissions. Pour les moteurs de cylindrée inférieure à 225 cc, la catégorie C = 125 heures, B = 250 heures et A = 500 heures. Pour les moteurs de cylindrée égale ou supérieure à 225 cc, la catégorie C = 250 heures, B = 500 heures et A = 1000 heures.

Ce moteur est de catégorie modérée; son indice de pollution atmosphérique est de 3. Il appartient à la catégorie C en ce qui a trait à la période de conformité des émissions EPA. Il a une cylindrée de 158 cc.

Vous trouverez ci-dessous une représentation générique de l'étiquette d'émissions apparaissant sur un moteur homologué.



# Faites-le réparer, à domicile ou à l'atelier!

Téléphonez au :

**1-800-LE-FOYER<sup>MD</sup>**

(1-800-533-6937)

24 heures par jour, 7 jours par semaine

Pour la réparation des appareils électroménagers de grandes marques à  **votre domicile** ... peu importe le fabricant ou le détaillant!

Pour connaître l'emplacement du **Service des pièces et de l'entretien Sears** le plus proche afin d'apporter à l'atelier des produits tels que des aspirateurs, tondeuses à gazon ou appareils électroniques.

Pour connaître le n° de téléphone du **Service des pièces et de l'entretien Sears** afin de commander les pièces de rechange accessoires et manuels d'instructions requis pour effectuer vous-même les réparations.

[www.sears.ca](http://www.sears.ca)

---

Pour acheter ou demander des renseignements sur un contrat d'entretien Sears, téléphonez au :

**1-800-361-6665**

de 9 h à 23 h du lundi au vendredi (HNE), de 9 h à 16 h le samedi

---

For service in english :

**1-800-4-MY-HOME<sup>®</sup>**

(1-800-469-4663)

[www.sears.ca](http://www.sears.ca)

