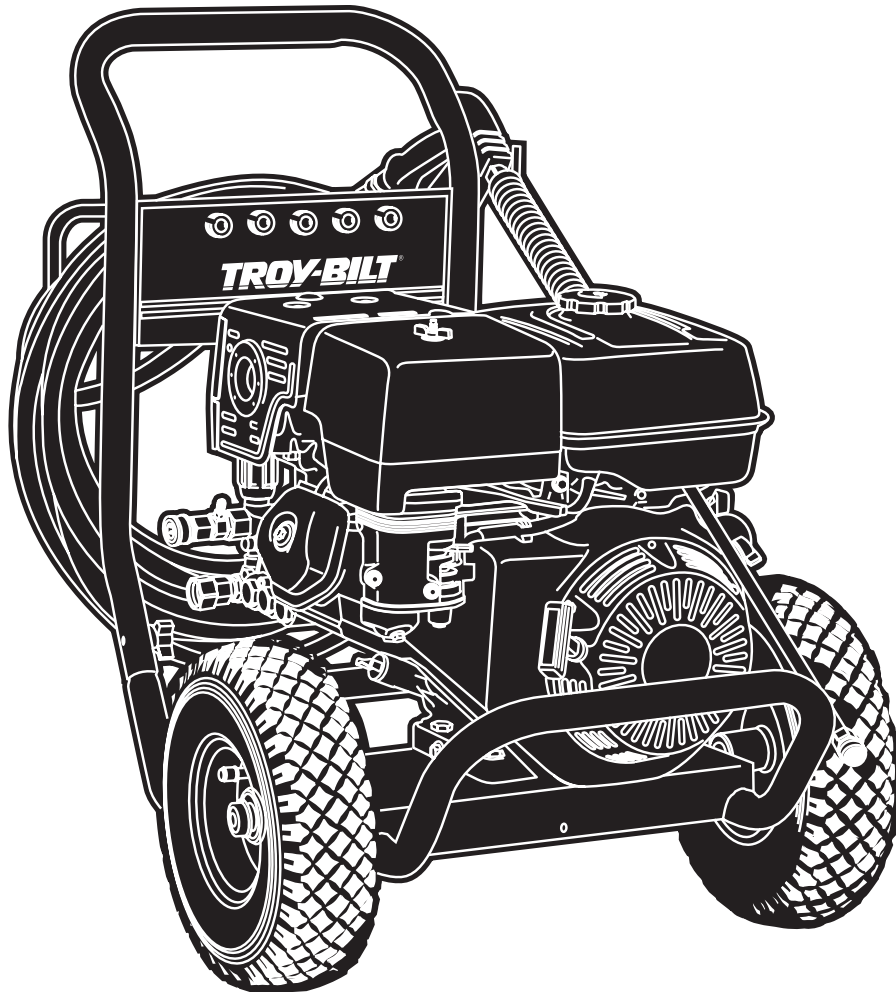




Illustrated Parts List

**Pressure Washer / Lavadora de Presión
Model / Modelo 020210**



Questions? Preguntas?

Helpline - 1-888-611-6708 M-F 8-5 CT

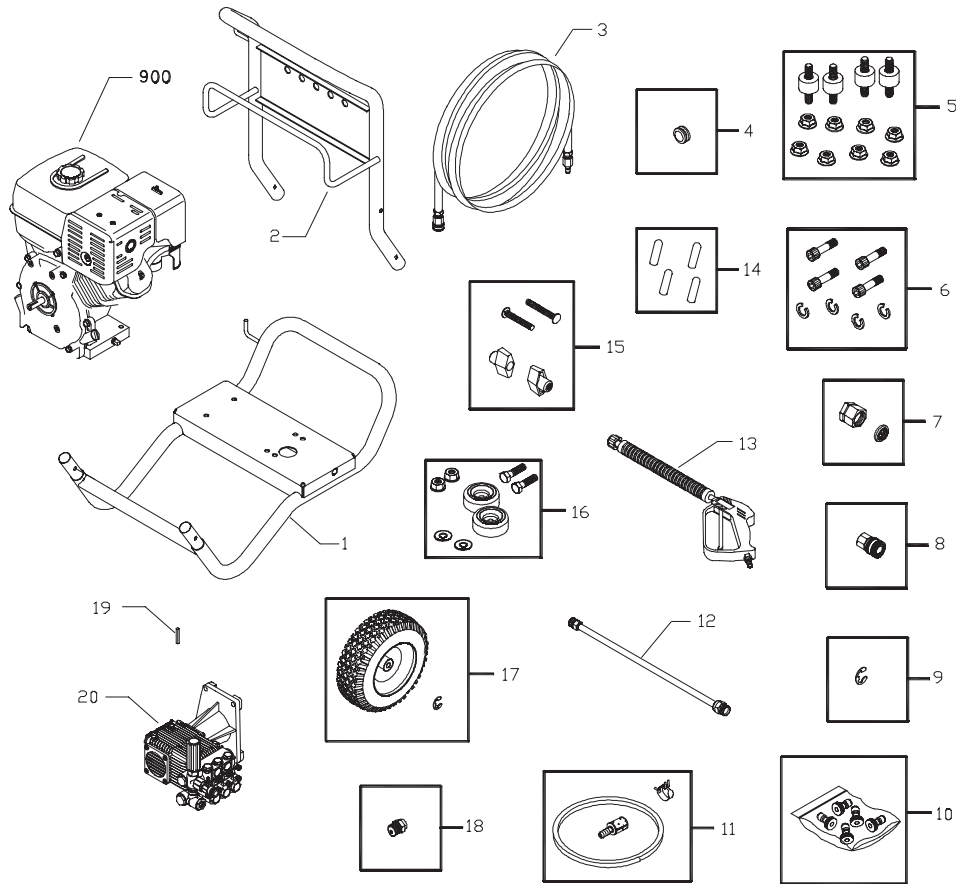
Troy-Bilt® is a registered trademark of MTD and is used under license to Briggs & Stratton Power Products.

Troy-Bilt® es una marca registrada de MTD y se usa abajo licencia a Briggs & Stratton Power Products.

**BRIGGS & STRATTON POWER PRODUCTS GROUP, LLC
JEFFERSON, WISCONSIN, U.S.A.**

Exploded Views and Parts List

EXPLODED VIEW AND PARTS LIST — MAIN UNIT



Item	Part #	Description
1	B194424GS	BASE
2	B191942GS	HANDLE
3	B4805GS	HOSE
4	30809GS	GROMMET
5	195294GS	KIT, Engine Mounting Hardware
6	192132GS	KIT, Pump Mounting Hardware
7	194004GS	KIT, Garden Hose Inlet
8	95458GS	CONNECT, Quick
9	191265GS	E-RING
10	B4847GS	KIT, Spray Tips
	191903AGS	NOZZLE, QC, Red
	191903BGS	NOZZLE, QC, Yellow
	191903CGS	NOZZLE, QC, Green
	191903DGS	NOZZLE, QC, White
	191903GS	NOZZLE, QC, Black
11	192796GS	KIT, Chemical Hose/Filter
12	190779GS	ASSY, Extension
13	B1436BGS	GUN

Item	Part #	Description
14	192126GS	CAP, Vinyl
15	B2203GS	KIT, Handle Fastening
16	192310GS	KIT, Vibration Mount
17	194411GS	KIT, Wheel
18	195016GS	VALVE, Thermal
19	63281GS	KEY
20	195110GS	ASSY, Pump (see page 3)
900	§	ENGINE

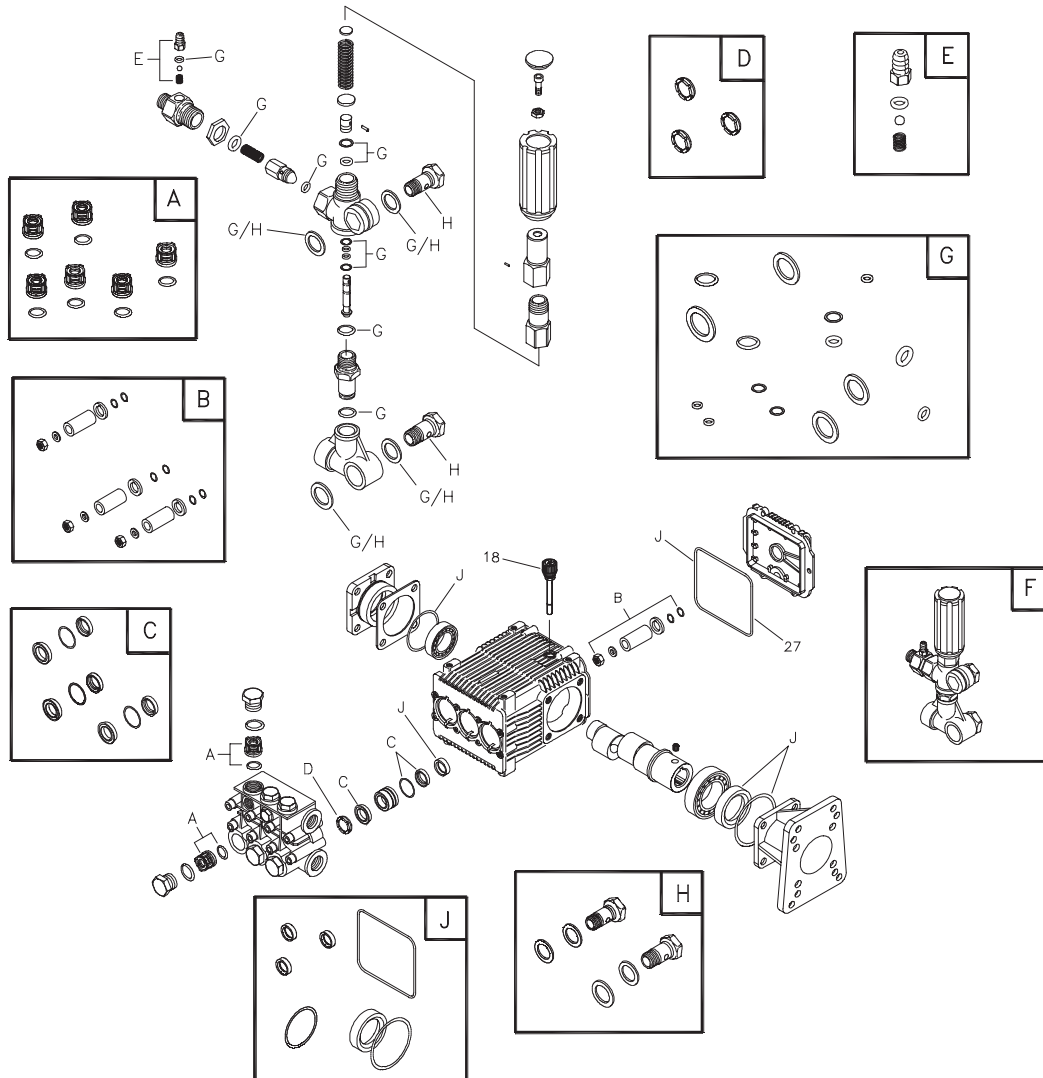
§ - Contact Engine Manufacturer

Items Not Illustrated:

Part #	Description
193776GS	MANUAL, Operator's
194356GS	KIT, Decals, Srv
BB3061BGS	OIL, Engine
191267RGS	AXLE

Exploded Views and Parts List

EXPLODED VIEW AND PARTS LIST — PUMP



Item	Part #	Description
18	198849GS	CAP, Oil Dipstick
27	116B2126GS	O-RING, Square
A	200B1410GS	KIT, Valve
B	193990GS	KIT, Piston
C	203B2327GS	KIT, Water Seals
D	204B1410GS	KIT, Support Rings
E	192914GS	KIT, Hose Tail
F	153B2126GS	UNLOADER, Complete
G	193991GS	KIT, O-Rings
H	199894GS	KIT, Bolts

Item	Part #	Description
J	202B1410GS	KIT, Oil Seals

NOTE: Item letters A - J are service kits and include all parts shown within the box.

Items Not Illustrated:

B2384GS FILTER, Inlet

Optional Accessories Not Illustrated

6033 BOTTLE, Oil, Pump

100515GS PUMP SAVER

186452GS FILTER, Inlet Bag of 10