



Illustrated Parts List

**Pressure Washer / Lavadora de Presión
Model / Modelo 020292-03**



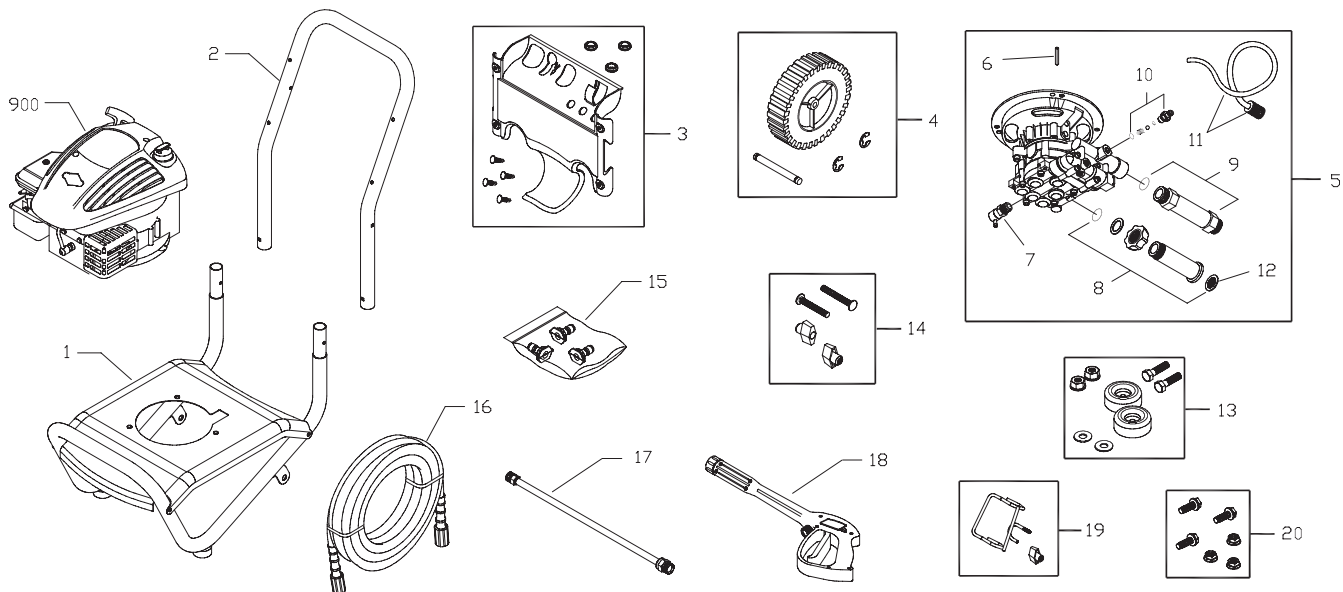
**Questions? Preguntas?
Helpline - 1-888-611-6708 M-F 8-5 CT**

Troy-Bilt® is a registered trademark of MTD Products Inc and is used under license to Briggs & Stratton Power Products.
Troy-Bilt® es una marca registrada de MTD y se usa abajo licencia a Briggs & Stratton Power Products

**Briggs & Stratton Power Products Group, LLC
Jefferson, Wisconsin, U.S.A.**

Manual No. 205875B Revision A (06/23/2008)

EXPLODED VIEW AND PARTS LIST — MAIN UNIT



Item	Part #	Description
1	201560GS	BASE, w/Mounts
2	P199110GS	HANDLE
3	201370GS	KIT, Billboard w/Decals & Clips
	195964GS	Clips, Tree
	30809GS	Grommet
4	200730GS	KIT, Wheel
	192050GS	E-Ring
	203873GS	Axle
5	197300GS	ASSY, Pump
6	23139GS	Key
7	194298GS	Valve, Thermal Relief
8	190632GS	Kit, Water Inlet
9	190634GS	Kit, Outlet
10	190593GS	Kit, Chemical Injection
11	189971GS	Kit, Chemical Hose
12	B2384GS	Filter, Inlet
13	192310GS	KIT, Vibration Mount
14	B2203GS	KIT, Handle Connector
15	201324GS	KIT, Nozzle
	198841GS	Nozzle, Soap
	195983AEGS	Nozzle, QC, Red
	195983QGS	Nozzle, QC, Green

Item	Part #	Description
16	196006GS	HOSE
17	200595GS	EXTENSION
18	204627GS	GUN
19	201661GS	KIT, Gun Holder
20	192525GS	KIT, Pump Mounting Hardware
900	§	ENGINE

Parts Not Illustrated

205875GS	MANUAL, Operator's
194256GS	KIT, Tag/Warning, Service
794693	DECAL, Warning
793973	ASSY, Shroud/Label
201973GS	DECAL, Shroud
BB3061BGS	OIL BOTTLE
87815GS	GOGGLES

Optional Accessories

6048	KIT, O-Ring
6039	PUMP SAVER

§ - Contact Engine Manufacturer

Copyright © 2008 Briggs & Stratton Power Products Group, LLC. All rights reserved. No part of this material may be reproduced or transmitted in any form by any means without the express written permission of Briggs & Stratton Power Products Group, LLC.