



## Illustrated Parts List

**Pressure Washer / Lavadora de Presión  
Model / Modelo 020292**



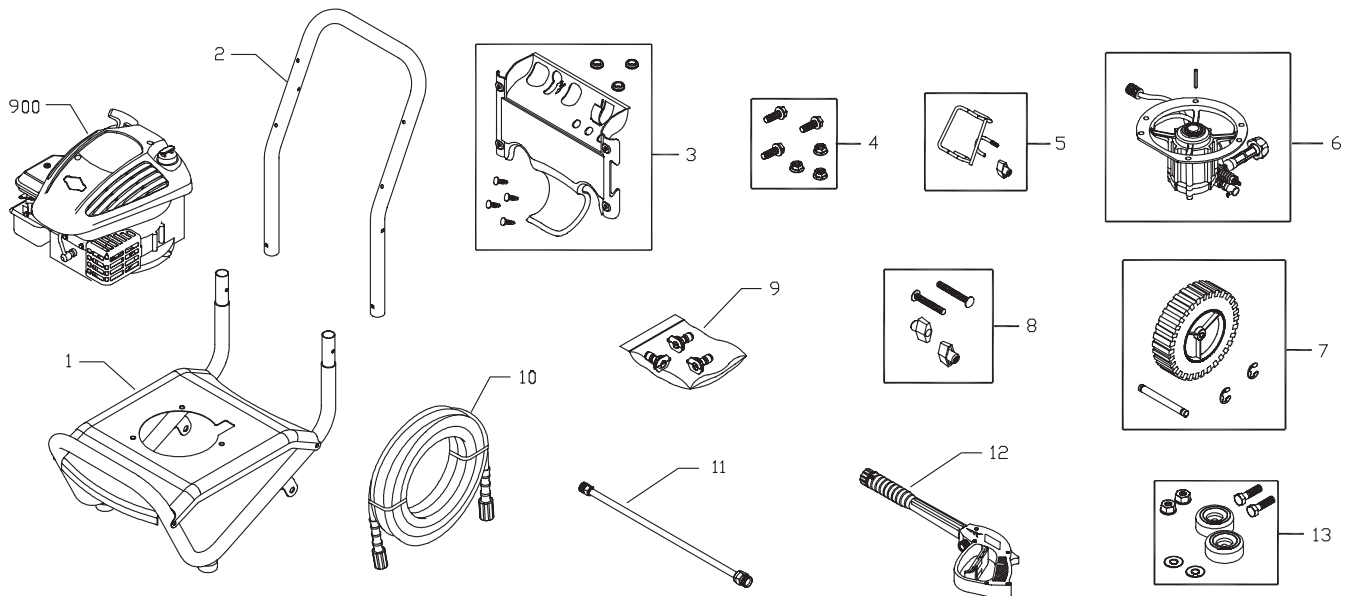
**Questions? Preguntas?  
Helpline - 1-888-611-6708 M-F 8-5 CT**

Troy-Bilt® is a registered trademark of MTD Products Inc and is used under license to Briggs & Stratton Power Products.  
Troy-Bilt® es una marca registrada de MTD y se usa abajo licencia a Briggs & Stratton Power Products

**Briggs & Stratton Power Products Group, LLC  
Jefferson, Wisconsin, U.S.A.**

# Exploded Views and Parts List

## EXPLODED VIEW AND PARTS LIST — MAIN UNIT



Item	Part #	Description
1	201560GS	ASSY, Base
2	P199110GS	HANDLE
3	201370GS	KIT, Billboard w/Decals & Clips
	195964GS	Clips, Tree
	30809GS	Grommet
4	192525GS	KIT, Pump Mounting Hardware
5	201661GS	KIT, Gun Holder
6	200200GS	ASSY, Pump
	23139GS	Key
	194298GS	Valve, Thermal Relief
7	200730GS	KIT, Wheel
	192050GS	E-Ring
	192006GS	Axle
8	B2203GS	KIT, Handle Connector
9	201324GS	KIT, Nozzle
	198841GS	Nozzle, Soap
	195983AEGS	Nozzle, QC, Red
	195983QGS	Nozzle, QC, Grn
10	196006GS	HOSE, 25

Item	Part #	Description
11	200595GS	EXTENSION
12	193482GS	GUN
13	192310GS	KIT, Vibration Mount
900	§	ENGINE

### Parts Not Illustrated

203776GS	MANUAL, Operator's
194256GS	KIT, Tag/Warning, Srv
275034	DECAL, Warning
790985	ASSY, Shroud/Label
201973GS	DECAL, Shroud
BB3061BGS	OIL BOTTLE
87815GS	GOGGLES

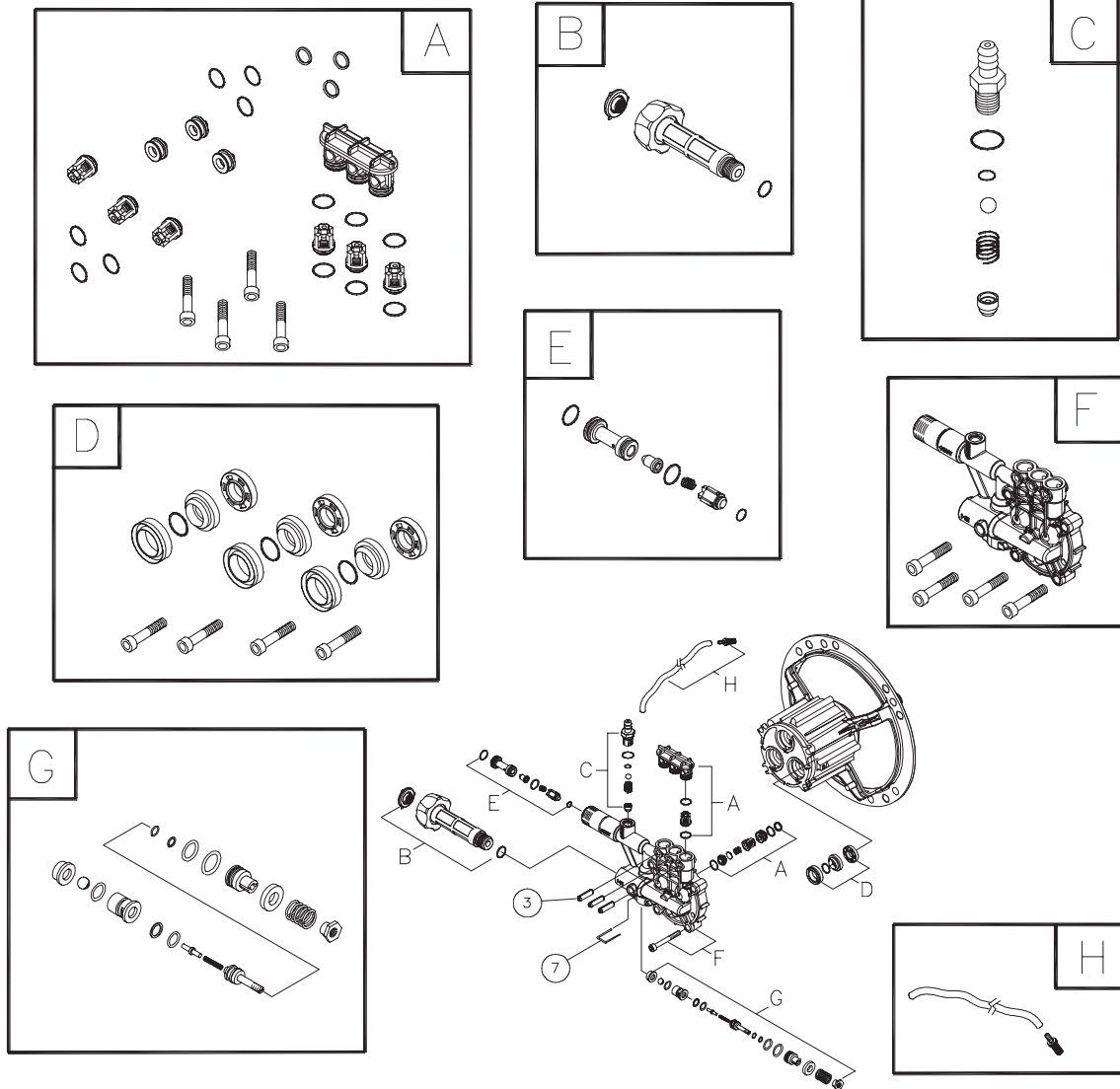
### Optional Accessories

100516GS	KIT, O-Ring
6039	PUMP SAVER

§ - Contact Engine Manufacturer

# Exploded Views and Parts List

## EXPLODED VIEW AND PARTS LIST — PUMP



Item	Part #	Description
3	200274GS	PLUG, Elastic
7	190578GS	PIN
A	200298GS	KIT, CHECK VALVES
B	200278GS	KIT, WATER INLET
C	200279GS	KIT, CHEMICAL INJECTION
D	200280GS	KIT, HIGH PRESSURE SEALS
E	200281GS	KIT, CHEM INJECT VENTURI
F	200282GS	KIT, PUMP HEAD, ALUM
G	200283GS	KIT, BY-PASS
H	189971GS	KIT, CHEMICAL HOSE

Parts Not Illustrated	
B2384GS	FILTER, Inlet
186452GS	FILTER, Inlet, Bag of 10

Optional Accessories	
6039	PUMP SAVER
100516GS	KIT, O-Ring

**NOTE:** Item letters A - H are service kits and include all parts shown within the box.