



Illustrated Parts List

Pressure Washer / Lavadora de Presión
Model / Modelo 020296



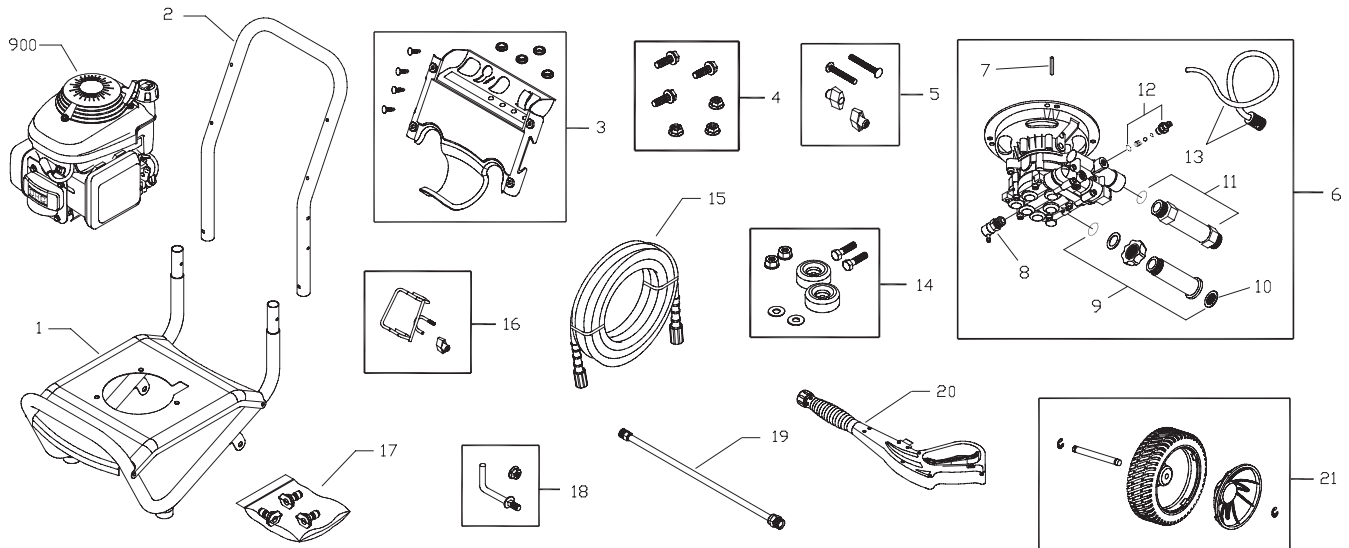
Questions? Preguntas?
Helpline - 1-888-611-6708 M-F 8-5 CT

Troy-Bilt® is a registered trademark of MTD Products Inc and is used under license to Briggs & Stratton Power Products.
Troy-Bilt® es una marca registrada de MTD y se usa abajo licencia a Briggs & Stratton Power Products

Briggs & Stratton Power Products Group, LLC
Jefferson, Wisconsin, U.S.A.

Manual No. 201740A Revision C (05/22/2008)

EXPLODED VIEW AND PARTS LIST



Item	Part #	Description
1	201366GS	BASE, w/Mounts
2	P199110GS	HANDLE
3	201933GS	KIT, Billboard w/Decals & Clips
	195964GS	Clips, Tree
	30809GS	Grommet
4	192649GS	KIT, Pump Mounting Hardware
5	B2203GS	KIT, Handle Connector
6	199735GS	ASSY, Pump
7	23139GS	Key
8	194298GS	Valve, Thermal Relief
9	190632GS	Kit, Water Inlet
10	B2384GS	Filter, Inlet
11	190634GS	Kit, Outlet
12	190593GS	Kit, Chemical Injection
13	189971GS	Kit, Chemical Hose
14	192310GS	KIT, Vibration Mount
15	196006GS	HOSE
16	201661GS	KIT, Gun Holder
17	201324GS	KIT, Nozzles
	198841GS	Nozzle, Soap
	195983AEGS	Nozzle, QC, Red
	195983QGS	Nozzle, QC, Green

Item	Part #	Description
18	192309GS	KIT, Hook, Base
19	200595GS	EXTENSION
20	199117GS	GUN
21	201394GS	KIT, Wheel
	203872GS	Axle
	200519GS	Hubcap
	192050GS	E-Ring
900	§	ENGINE

Parts Not Illustrated

201740GS	MANUAL, Operator's
194256GS	KIT, Tag/Warning Service
194524GS	DECAL, Choke
BB3061BGS	OIL BOTTLE
87815GS	GOGGLES

Optional Accessories

6048	KIT, O-Ring
6039	PUMP SAVER

§ - Contact Engine Manufacturer

Copyright © 2008 Briggs & Stratton Power Products Group, LLC. All rights reserved. No part of this material may be reproduced or transmitted in any form by any means without the express written permission of Briggs & Stratton Power Products Group, LLC.