



Illustrated Parts List

**Pressure Washer / Lavadora de Presión
Model / Modelo 020316-1**



**Questions? Preguntas?
Helpline - 1-888-611-6708 M-F 8-5 CT**

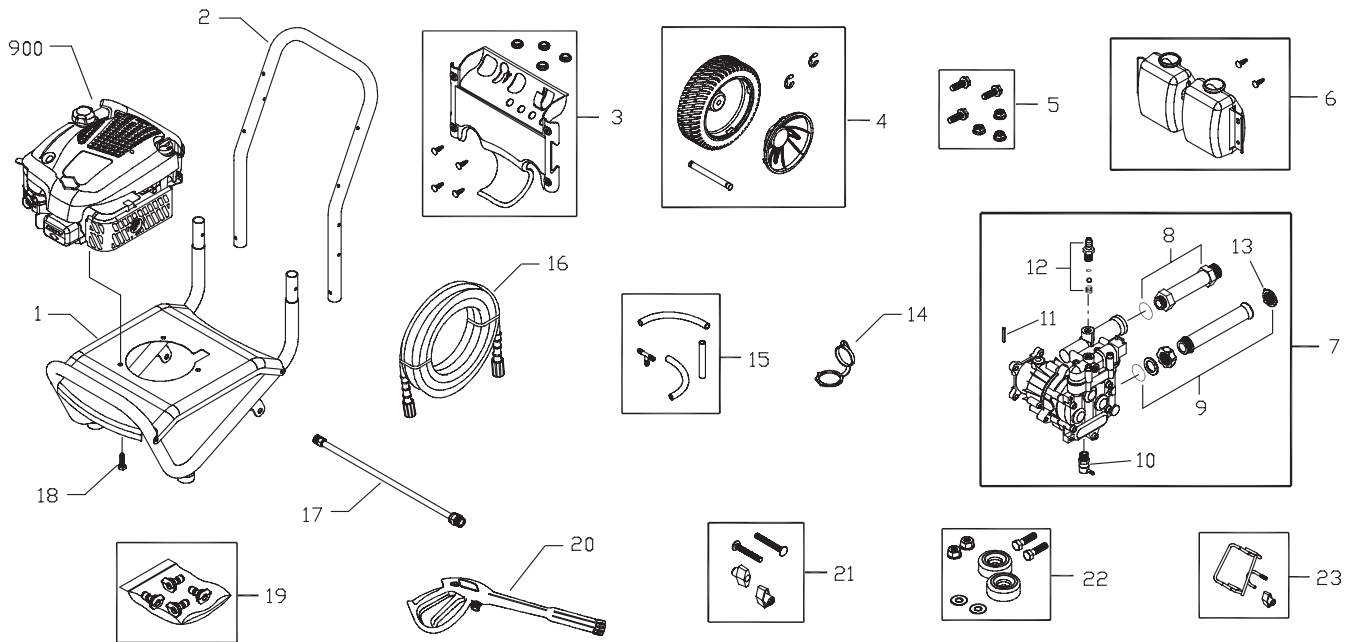
Troy-Bilt® is a registered trademark of MTD Products Inc and is used under license to Briggs & Stratton Power Products.
Troy-Bilt® es una marca registrada de MTD y se usa abajo licencia a Briggs & Stratton Power Products

**Briggs & Stratton Power Products Group, LLC
Jefferson, Wisconsin, U.S.A.**

Model No. 020316-1 (3000 PSI (206.8 BARS) Pressure Washer) Manual No. 205312A Revision - (11/29/2007)

Exploded View and Parts List

EXPLODED VIEW — MAIN UNIT



Copyright © 2007 Briggs & Stratton Power Products Group, LLC. All rights reserved. No part of this material may be reproduced or transmitted in any form by any means without the express written permission of Briggs & Stratton Power Products Group, LLC.

Exploded View and Parts List

PARTS LIST — MAIN UNIT

| Item | Part # | Description | Parts Not Illustrated | |
|------|------------|----------------------------------|---------------------------------|--------------------------|
| 1 | 201366GS | BASE, w/Mounts | 205312GS | MANUAL, Operator's |
| 2 | P199110GS | HANDLE | 194256GS | KIT, Tag/Warning Service |
| 3 | 202007GS | KIT, Billboard w/Decals & Clips | BB3061BGS | OIL BOTTLE |
| | 195964GS | Clips, Tree | 794693 | LABEL, Warning |
| | 30809GS | Grommet | 202251GS | GRIP |
| 4 | 201394GS | KIT, Wheel | 201830GS | DECAL, Shroud |
| | 192050GS | E-Ring | 794697 | COVER, Static Label/Assy |
| | 200519GS | Hubcap | 87815GS | GOGGLES |
| | 201313GS | Axle | | |
| 5 | 192131GS | KIT, Pump Mounting Hardware | Optional Accessories | |
| 6 | 205366GS | KIT, Assy, Chemical Tank w/Clips | 6048 | KIT, O-Ring |
| | 192980GS | Kit, Valve | 6039 | PUMP SAVER |
| | 195964GS | Clips, Tree | | |
| 7 | 198164GS | ASSY, Pump, Complete | § - Contact Engine Manufacturer | |
| 8 | 190589GS | Kit, Outlet, Anodized | | |
| 9 | 190588GS | Kit, Water Inlet, Anodized | | |
| 10 | 194298GS | Valve, Thermal Relief | | |
| 11 | 23139DGS | Key | | |
| 12 | 190593GS | Kit, Chemical Injection | | |
| 13 | B2384GS | Filter, Inlet | | |
| 14 | B3222AGS | CAP, Chemical Tank, A | | |
| | B3222BGS | CAP, Chemical Tank, B | | |
| 15 | 196813GS | KIT, Hose/Tee | | |
| 16 | 196138GS | HOSE | | |
| 17 | 200595GS | EXTENSION | | |
| 18 | 75246GS | HHS, Trilobular, 3/8-16 x 1-1/4 | | |
| 19 | 199098GS | KIT, Nozzles | | |
| | 198841GS | Nozzle, Soap | | |
| | 195983AAGS | Nozzle, QC, Red | | |
| | 195983XGS | Nozzle, QC, Yellow | | |
| | 195983RGS | Nozzle, QC, White | | |
| 20 | 204627GS | GUN | | |
| 21 | B2203GS | KIT, Handle Connector | | |
| 22 | 192310GS | KIT, Vibration Mount | | |
| 23 | 201661GS | KIT, Gun Holder, Weldment | | |
| 900 | § | ENGINE | | |