



Illustrated Parts List

Pressure Washer / Lavadora de Presión
Model / Modelo 020337-2



Questions? Preguntas?

Helpline - 1-888-611-6708 M-F 8-5 CT

This pressure washer is rated in accordance to the Pressure Washer Manufacture Association (PWMA) standard PW101 (Testing and Rating Performance of Pressure Washers).

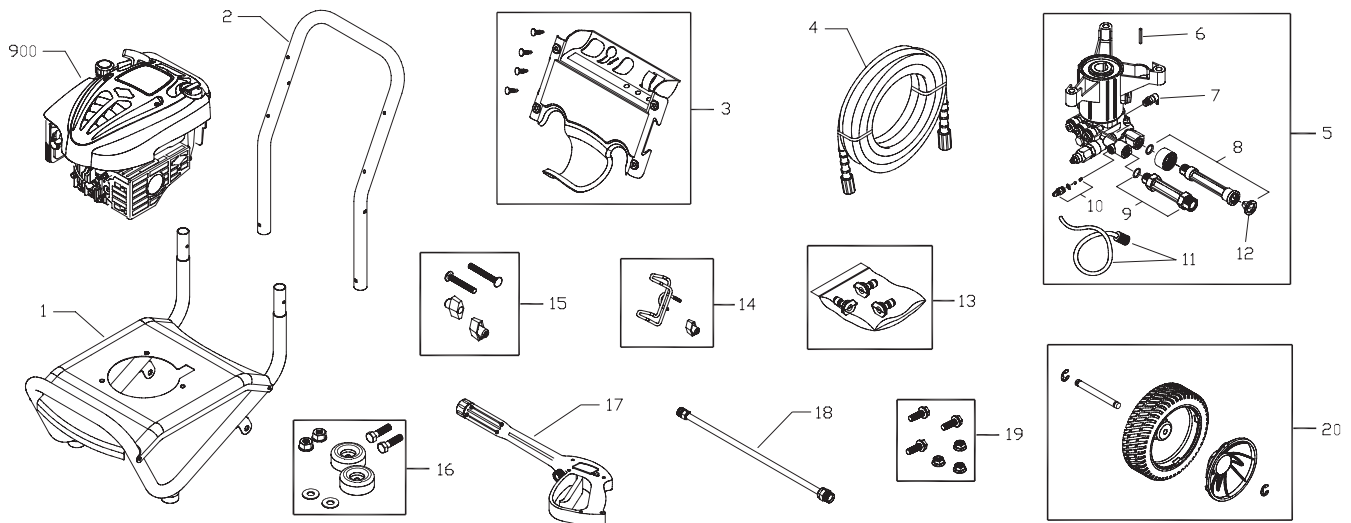
Troy-Bilt® is a registered trademark of MTD Products Inc and is used under license to Briggs & Stratton Power Products.

Troy-Bilt® es una marca registrada de MTD y se usa abajo licencia a Briggs & Stratton Power Products

Briggs & Stratton Power Products Group, LLC
Jefferson, Wisconsin, U.S.A.

Manual No. 208118A Revision - (09/18/2008)

EXPLODED VIEW AND PARTS LIST — MAIN UNIT



| Item | Part # | Description |
|------|------------|---------------------------------|
| 1 | 201366GS | BASE, w/Mounts |
| 2 | P199110GS | HANDLE |
| 3 | 201371GS | KIT, Billboard w/Clips & Decals |
| | 195964GS | Clips, Tree |
| 4 | 196006GS | HOSE |
| 5 | 202274GS | ASSY, Pump |
| 6 | 23139GS | Key |
| 7 | 194298GS | Valve, Thermal Relief |
| 8 | 201496GS | Kit, Water Inlet |
| 9 | 201497GS | Kit, Outlet |
| 10 | 192914GS | Kit, Hose Tail |
| 11 | 189971GS | Kit, Chemical Hose |
| 12 | B2384GS | Filter, Inlet |
| 13 | 201324GS | KIT, Spray Tips |
| | 198841GS | Nozzle, Soap |
| | 195983AEGS | Nozzle, QC, Red |
| | 195983QGS | Nozzle, QC, Green |
| 14 | 201661GS | KIT, Gun Holder |
| 15 | B2203GS | KIT, Handle Connector |
| 16 | 192310GS | KIT, Vibration Mount |
| 17 | 204627GS | GUN |
| 18 | 200595GS | EXTENSION |

| Item | Part # | Description |
|------|----------|-----------------------------|
| 19 | 203526GS | KIT, Pump Mounting Hardware |
| 20 | 201394GS | KIT, Wheel |
| | 192050GS | E-Ring |
| | 200519GS | Hubcap |
| | 203872GS | Axle |
| 900 | § | ENGINE |

Parts Not Illustrated

| | |
|-----------|--------------------------|
| 208118GS | MANUAL, Operator's |
| 201331GS | DECAL, 6.75HP |
| BB3061BGS | OIL BOTTLE |
| 790037 | COVER, Static/Label Assy |
| 794693 | LABEL, Warning |
| 87815GS | GOGGLES |
| 194256GS | KIT, Tag/Warning Service |

Optional Accessories

| | |
|------|-------------|
| 6048 | KIT, O-Ring |
| 6039 | PUMP SAVER |

§ - Contact Engine Manufacturer

Copyright © 2008 Briggs & Stratton Power Products Group, LLC. All rights reserved. No part of this material may be reproduced or transmitted in any form by any means without the express written permission of Briggs & Stratton Power Products Group, LLC.