



Illustrated Parts List

Pressure Washer / Lavadora de Presión
Model / Modelo 020348



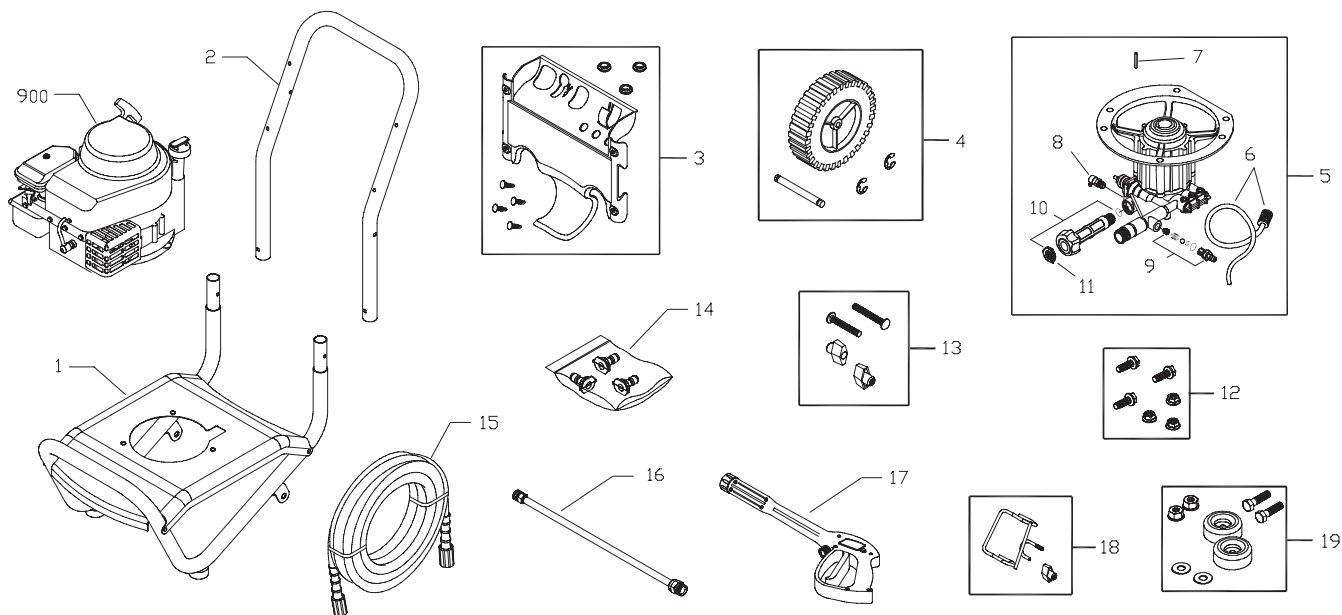
Questions? Preguntas?
Helpline - 1-888-611-6708 M-F 8-5 CT

Troy-Bilt® is a registered trademark of MTD Products Inc and is used under license to Briggs & Stratton Power Products.
Troy-Bilt® es una marca registrada de MTD y se usa abajo licencia a Briggs & Stratton Power Products

Briggs & Stratton Power Products Group, LLC
Jefferson, Wisconsin, U.S.A.

Manual No. 205875A Revision - (03/04/2008)

EXPLODED VIEW AND PARTS LIST — MAIN UNIT



Item	Part #	Description
1	201560GS	BASE, w/Mounts
2	P199110GS	HANDLE
3	201370GS	KIT, Billboard w/Decals & Clips
	195964GS	Clips, Tree
	30809GS	Grommet
4	200730GS	KIT, Wheel
	192050GS	E-Ring
	192006GS	Axle
5	206383GS	ASSY, Pump
6	189971GS	Kit, Chemical Hose
7	23139GS	Key
8	194298GS	Valve, Thermal Relief
9	200279GS	Kit, Chemical Injection
10	200278GS	Kit, Water Inlet
11	B2384GS	Filter, Inlet
12	192525GS	KIT, Pump Mounting Hardware
13	B2203GS	KIT, Handle Connector
14	201324GS	KIT, Nozzle
	198841GS	Nozzle, Soap
	195983AEGS	Nozzle, QC, Red
	195983QGS	Nozzle, QC, Green
15	196006GS	HOSE

Item	Part #	Description
16	200595GS	EXTENSION
17	204627GS	GUN
18	201661GS	KIT, Gun Holder
19	192310GS	KIT, Vibration Mount
900	§	ENGINE

Parts Not Illustrated

205875GS	MANUAL, Operator's
194256GS	KIT, Tag/Warning, Service
794693	DECAL, Warning
699796	ASSY, Shroud/Label
206641GS	DECAL, Shroud
200658GS	DECAL, Recoil
BB3061BGS	OIL BOTTLE
87815GS	GOGGLES

Optional Accessories

6048	KIT, O-Ring
6039	PUMP SAVER

§ - Contact Engine Manufacturer

Copyright © 2008 Briggs & Stratton Power Products Group, LLC. All rights reserved. No part of this material may be reproduced or transmitted in any form by any means without the express written permission of Briggs & Stratton Power Products Group, LLC.