



Illustrated Parts List

**Pressure Washer / Lavadora de Presión
Model / Modelo 020350**



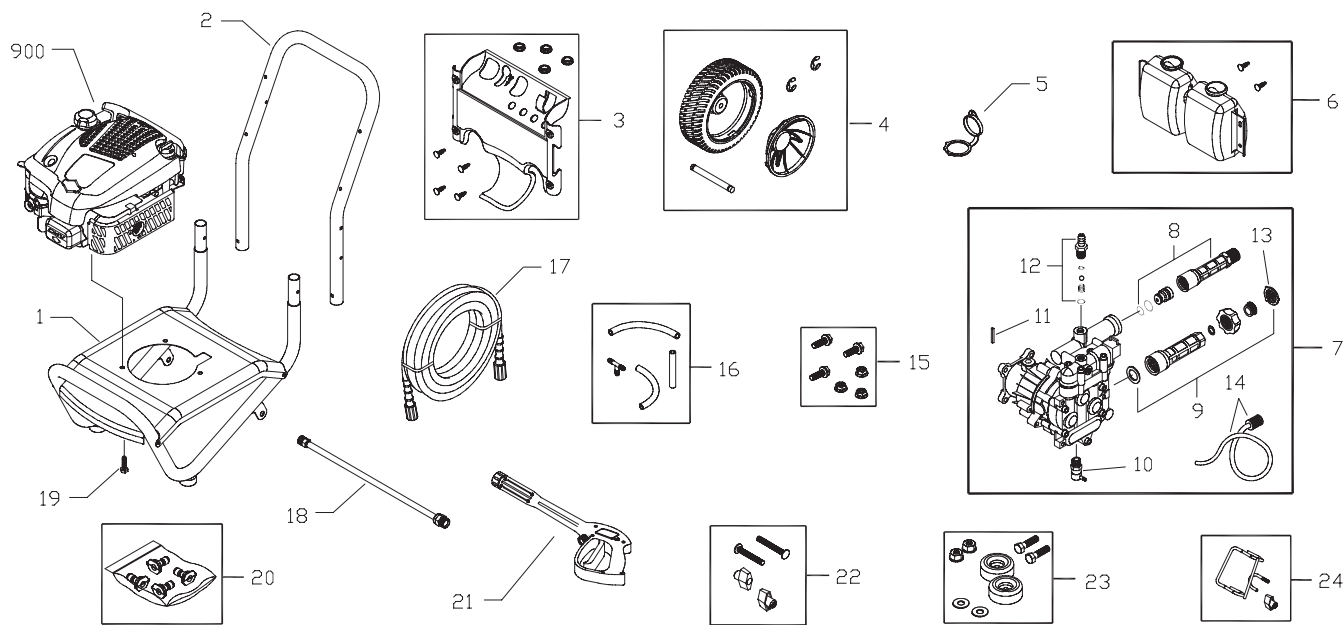
**Questions? Preguntas?
Helpline - 1-888-611-6708 M-F 8-5 CT**

Troy-Bilt® is a registered trademark of MTD Products Inc and is used under license to Briggs & Stratton Power Products.
Troy-Bilt® es una marca registrada de MTD y se usa abajo licencia a Briggs & Stratton Power Products

**Briggs & Stratton Power Products Group, LLC
Jefferson, Wisconsin, U.S.A.**

Model No. 020350 (3000 PSI (206.8 BARS) Pressure Washer) Manual No. 205312C Revision A (05/19/2008)

Exploded View and Parts List



Item	Part #	Description
1	201366GS	BASE, w/Mounts
2	P199110GS	HANDLE
3	202007GS	KIT, Billboard w/Decals & Clips
	195964GS	Clips, Tree
	30809GS	Grommet
4	201394GS	KIT, Wheel
	192050GS	E-Ring
	200519GS	Hubcap
	201313GS	Axle
5	B3222AGS	CAP, Chemical Tank, A
	B3222BGS	CAP, Chemical Tank, B
6	205366GS	KIT, Assy, Chemical Tank w/Clips
	192980GS	Kit, Valve
	195964GS	Clips, Tree
7	206376GS	ASSY, Pump, Complete
8	206375GS	Kit, Outlet
9	206374GS	Kit, Water Inlet
10	194298GS	Valve, Thermal Relief
11	23139DGS	Key
12	190593GS	Kit, Chemical Injection
13	B2384GS	Filter, Inlet
14	189971GS	Kit, Chemical
15	192131GS	KIT, Pump Mounting Hardware
16	196813GS	KIT, Hose/Tee
17	196138GS	HOSE
18	200595GS	EXTENSION

Item	Part #	Description
19	75246GS	HHS, Trilobular, 3/8-16 x 1-1/4
20	199098GS	KIT, Nozzles
	198841GS	Nozzle, Soap
	195983AAGS	Nozzle, QC, Red
	195983XGS	Nozzle, QC, Yellow
	195983RGS	Nozzle, QC, White
21	204627GS	GUN
22	B2203GS	KIT, Handle Connector
23	192310GS	KIT, Vibration Mount
24	201661GS	KIT, Gun Holder, Weldment
900	§	ENGINE

Parts Not Illustrated

205312GS	MANUAL, Operator's
194256GS	KIT, Tag/Warning. Service
BB3061BGS	OIL BOTTLE
794693	LABEL, Warning
206791GS	DECAL, Shroud
87815GS	GOGGLES

Optional Accessories

6048	KIT, O-Ring
6039	PUMP SAVER

§ - Contact Engine Manufacturer

Copyright © 2008 Briggs & Stratton Power Products Group, LLC. All rights reserved. No part of this material may be reproduced or transmitted in any form by any means without the express written permission of Briggs & Stratton Power Products Group, LLC.