



## *Illustrated Parts List*

Pressure Washer / Lavadora de Presión

Model / Modelo 020423-0



This pressure washer is rated in accordance to the Pressure Washer Manufacture Association (PWMA) standard PW101 (Testing and Rating Performance of Pressure Washers).

Questions? Preguntas?

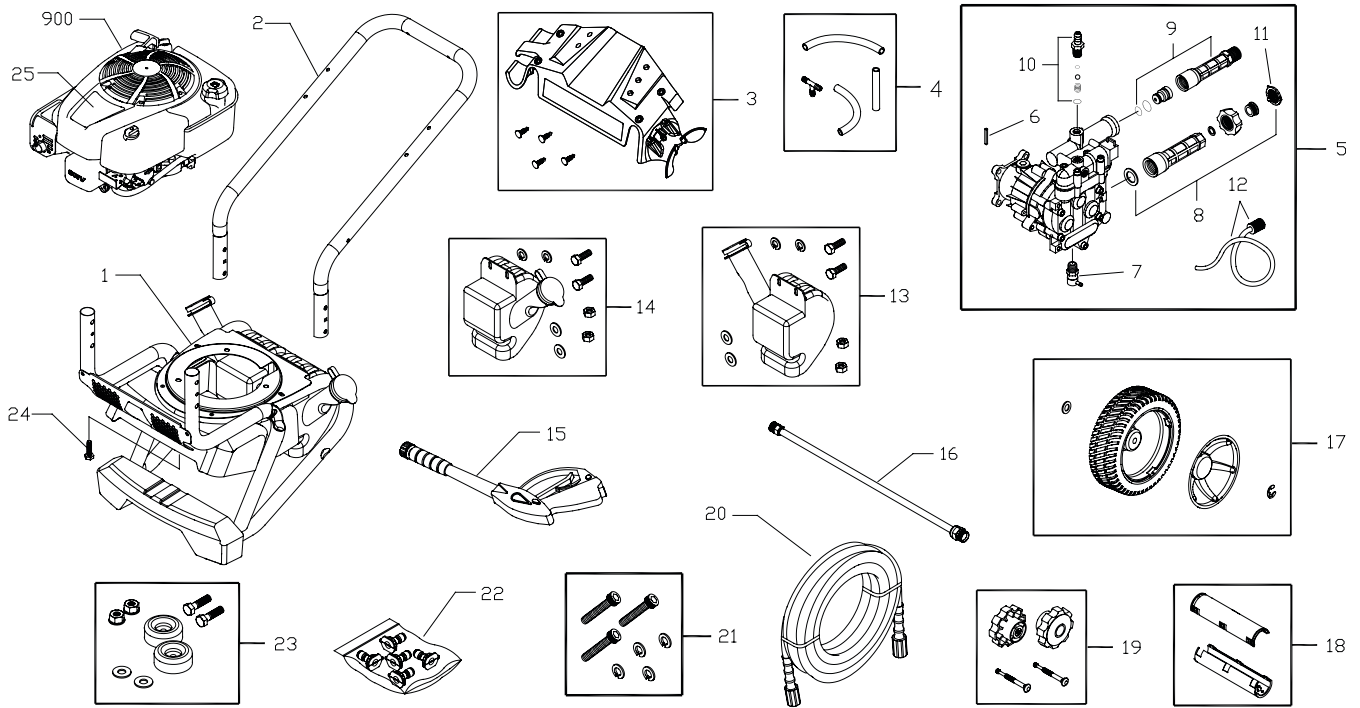
Helpline - 1-888-611-6708 M-F 8-5 CT

Troy-Bilt® is a registered trademark of MTD Products Inc and is used under license to Briggs & Stratton Power Products.  
Troy-Bilt® es una marca registrada de MTD y se usa abajo licencia a Briggs & Stratton Power Products

**Briggs & Stratton Power Products group, LLC**  
**Jefferson, Wisconsin, U.S.A.**

IPL 312652 Revision - (03/03/2010)

# Exploded View and Parts List — Main Unit



Item	Part #	Description	Item	Part #	Description
1	312100GS	BASE	21	192131GS	KIT-HARDWARE PUMP MOUNTING
2	310628BWGS	HANDLE	22	311311GS	KIT-QC NOZZLES
3	310857GS	BILLBOARD		195983ANGS	NOZZLE-QC RED
	195964GS	KIT-TREE CLIPS		195983QGS	NOZZLE-QC GREEN
4	208728GS	HOSE-CHEMICAL		195983RGS	NOZZLE-QC WHITE
5	206376GS	PUMP		195983APGS	NOZZLE-QC CYAN
6	23139DGS	KEY		195983AQGS	NOZZLE-QC MAGENTA
7	208673GS	VALVE-THERMAL RELIEF	23	192310GS	MOUNT-VIBRATION
8	206374GS	KIT-WATER INLET	24	75246GS	TAPTITE
9	206375GS	KIT-WATER OUTLET	25	310865GS	DECAL
10	190593GS	KIT-CHEMICAL INJ	900	§	ENGINE
11	B2384GS	FILTER-GARDEN HOSE			
12	189971GS	HOSE-CHEMICAL			
13	310821GS	TANK-CHEMICAL	<b>Items Not Illustrated</b>		
	310806GS	CAP-CHEMICAL TANK		310851GS	MANUAL-OPERATOR'S
	310333GS	KIT-FUEL VALVE		BB3061BGS	OIL BOTTLE
14	310820GS	TANK-CHEMICAL		310983GS	DECAL-Unit
	310805GS	CAP-CHEMICAL TANK		311247GS	DECAL-Gun
	310333GS	KIT-FUEL VALVE		208538GS	DECAL-Spark
15	209094GS	GUN		311807GS	AXLE
16	200595GS	EXTENSION-QC		194256GS	TAG-WARNING
17	202477GS	KIT-WHEEL	<b>Optional Accessories</b>		
	200519GS	HUBCAP		6039	PUMP SAVER
	192050GS	E-RING		6048	O-RING MAINTENANCE
18	311969GS	GRIP			
19	312099GS	KIT-HARDWARE HANDLE			
20	311528GS	HOSE			

§ - Contact Engine Manufacturer