



Illustrated Parts List

Pressure Washer / Lavadora de Presión

Model / Modelo 020423-1



This pressure washer is rated in accordance to the Pressure Washer Manufacture Association (PWMA) standard PW101 (Testing and Rating Performance of Pressure Washers).

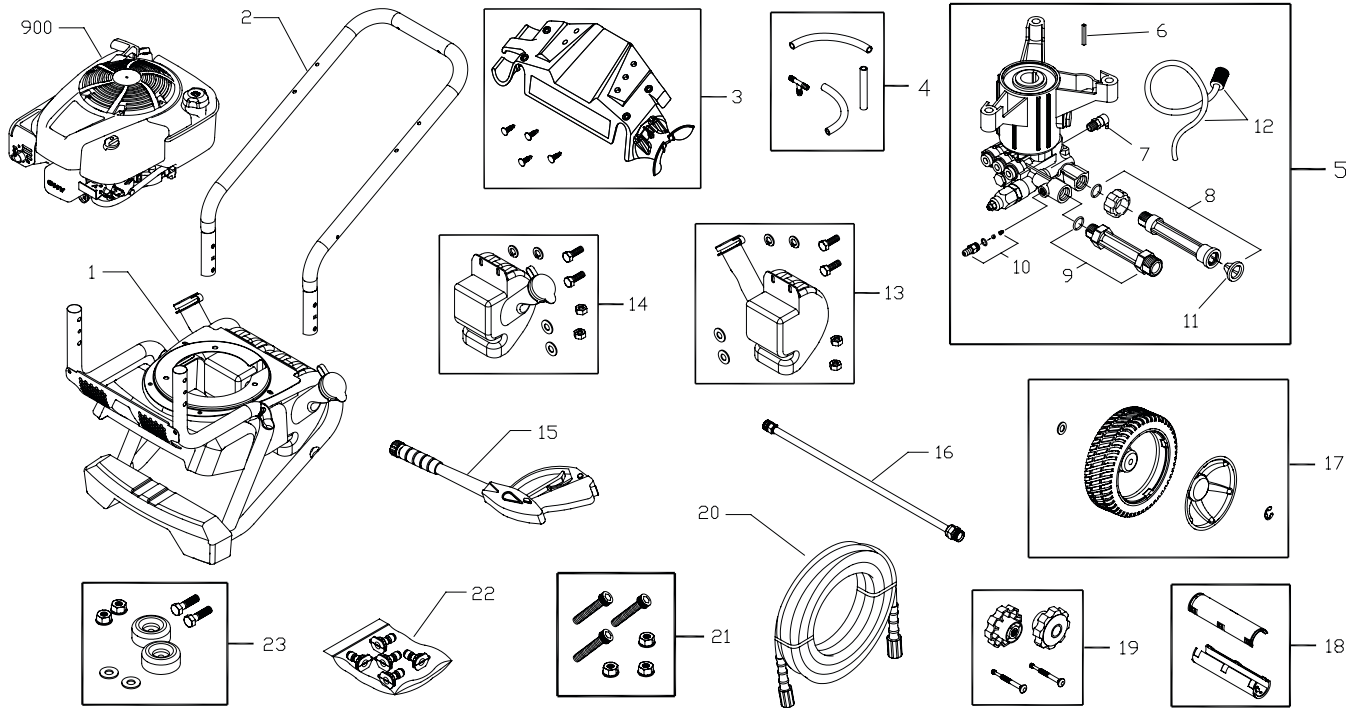
Questions? Preguntas?
Helpline - 1-888-611-6708 M-F 8-5 CT

Troy-Bilt® is a registered trademark of MTD Products Inc and is used under license to Briggs & Stratton Power Products.
Troy-Bilt® es una marca registrada de MTD y se usa abajo licencia a Briggs & Stratton Power Products

Briggs & Stratton Power Products group, LLC
Jefferson, Wisconsin, U.S.A.

IPL 312653 Revision - (03/03/2010)

Exploded View and Parts List — Main Unit



Item	Part #	Description
1	312100GS	BASE
2	310628BWGS	HANDLE
3	310857GS	BILLBOARD
	195964GS	KIT-TREE CLIPS
4	208728GS	HOSE-CHEMICAL
5	209261GS	PUMP
6	23139DGS	KEY
7	208673GS	VALVE-THERMAL RELIEF
8	201496GS	KIT-WATER INLET
9	201497GS	FITTING
10	192914GS	KIT-CHEMICAL INJ
11	B2384GS	FILTER-GARDEN HOSE
12	189971GS	HOSE-CHEMICAL
13	310821GS	TANK-CHEMICAL
	310806GS	CAP-CHEMICAL TANK
	310333GS	KIT-FUEL VALVE
14	310820GS	TANK-CHEMICAL
	310805GS	CAP-CHEMICAL TANK
	310333GS	KIT-FUEL VALVE
15	209094GS	GUN
16	200595GS	EXTENSION-QC
17	202477GS	KIT-WHEEL
	200519GS	HUBCAP
	192050GS	E-RING
18	311969GS	GRIP
19	312099GS	KIT-HARDWARE HANDLE
20	311528GS	HOSE

Item	Part #	Description
21	200199GS	KIT-HARDWARE PUMP MOUNTING
22	311311GS	KIT-QC NOZZLES
	195983ANGS	NOZZLE-QC RED
	195983QGS	NOZZLE-QC GREEN
	195983RGS	NOZZLE-QC WHITE
	195983APGS	NOZZLE-QC CYAN
	195983AQGS	NOZZLE-QC MAGENTA
23	192310GS	MOUNT-VIBRATION
24	75246GS	TAPTITE
25	310865GS	DECAL
900	§	ENGINE

Items Not Illustrated

312336GS	MANUAL-OPERATOR'S
BB3061BGS	OIL BOTTLE
310983GS	DECAL-Unit
310865GS	DECAL-Shroud
311247GS	DECAL-Gun
208538GS	DECAL-Spark
311807GS	AXLE
194256GS	TAG-WARNING

Optional Accessories

6039	PUMP SAVER
6048	O-RING MAINTENANCE

§ - Contact Engine Manufacturer

Copyright © 2010 Briggs & Stratton Power Products Group, LLC. All rights reserved. No part of this material may be reproduced or transmitted in any form without the express written permission of Briggs & Stratton Power Products Group, LLC.