

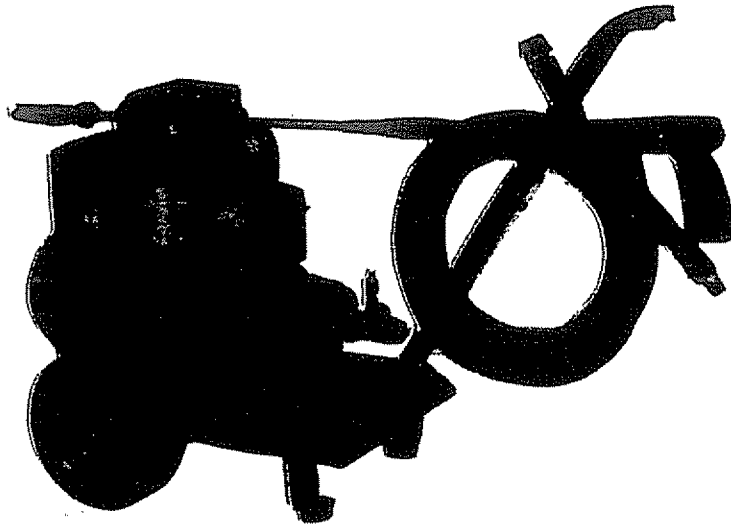
SEARS OWNER'S MANUAL

MODEL NO.
580.751500

**PRESSURE WASHER
CUSTOMER
HELPLINE
1-800-222-3136**

**HOURS:
Mon. - Fri. 8 a.m. to 5 p.m
(CST)**

**CAUTION:
Read and Follow
all Safety Rules
and Instructions
Before Operating
This Equipment**



CRAFTSMAN[®]

**5 HORSEPOWER
1800 PSI 2.5 GPM
HIGH PRESSURE WASHER**

- Assembly
- Operation
- Customer Responsibilities
- Service and Adjustment
- Repair Parts

SEARS, ROEBUCK and CO., Hoffman Estates, IL 60179 U.S.A.



0 24847 30915 7
Part No. 94719GS -10/95

SAFETY RULES



CAUTION: ALWAYS DISCONNECT SPARK PLUG WIRE AND PLACE WIRE WHERE IT CANNOT CONTACT SPARK PLUG, TO PREVENT ACCIDENTAL STARTING WHEN SETTING UP, TRANSPORTING, ADJUSTING OR MAKING REPAIRS TO YOUR HIGH PRESSURE WASHER.



TRAINING:

- Engine exhaust gases contain DEADLY carbon monoxide gas. This dangerous gas, if breathed in sufficient concentrations, can cause unconsciousness or even death. Operate this equipment only in the open air where adequate ventilation is available.
- Gasoline is highly FLAMMABLE and its vapors are EXPLOSIVE. Do not permit smoking, open flames, sparks or heat in the vicinity while handling gasoline. Avoid spilling gasoline on a hot engine. Allow unit to cool for 2 minutes before refueling. Comply with all laws regulating storage and handling of gasoline.
- Locate this pressure washer in areas away from combustible materials, combustible fumes or dust.
- The high pressure equipment is designed to be used with Sears authorized parts only. If you use this equipment with parts that do not comply with minimum specifications, the user assumes all risks and liabilities.
- Some chemicals or detergents may be harmful if inhaled or ingested, causing severe nausea, fainting or poisoning. The harmful elements may cause property damage or severe injury.
- Do not allow CHILDREN to operate the Pressure Washer at any time.

PREPARATION:

- Operate engine only at governed speed. Running the engine at excessive speeds increases the hazard of personal injury. Do not tamper with parts which may increase or decrease the governed speed.
- Do not wear loose clothing, jewelry or anything that may be caught in the starter or other rotating parts.
- Before starting the Pressure Washer in cold weather, check all parts of the equipment and be sure ice has not formed there.
- Units with broken or missing parts, or without protective housing or covers should NEVER be operated.
- The muffler and air cleaner must be installed and in good condition before operating the Pressure Washer. These components act as spark arrestors if the engine backfires.
- Check the fuel system for leaks or signs of deterioration such as chafed or spongy hose, loose or missing clamps or damaged tank or cap. Correct all defects before operating the Pressure Washer.

OPERATION:

- Do not spray flammable liquids.
- Never aim the gun at people, animals or plants.
- Never allow any part of the body to come in contact with the fluid stream. DO NOT come in contact with a fluid stream created by a leak in the high pressure hose.
- High pressure stream of fluid that this equipment can produce can pierce skin and its underlying tissues, leading to serious injury and possible amputation.
- High pressure spray can cause paint chips or other particles to become airborne and fly at high speeds.

- Always wear eye protection when you use this equipment or when you are in the vicinity where the equipment is in use.
- Operate the pressure at no more than the PSI fluid pressure rated for your pressure washer.
- Never move the machine by pulling on the high pressure hose. Use the handle provided on the top of the unit.
- Always be certain the spray gun, nozzles and accessories are correctly attached.
- Never use a spray gun which does not have a trigger lock or trigger guard in place and in working order.
- Use a respirator or mask whenever there is a chance that vapors may be inhaled. Read all instructions with the mask so you are certain the mask will provide the necessary protection against inhaling harmful vapors.
- High pressure spray may damage fragile items including glass. Do not point spray gun at glass when in the jet spray mode.
- Keep the hose connected to machine or the spray gun while the system is pressurized. Disconnecting the hose while the unit is pressurized is dangerous.
- Hold the spray gun firmly in your hand before you start the unit. Failure to do so could result in an injury from a whipping spray gun. Do not leave the spray gun unattended while the machine is running.
- The cleaning area should have adequate slopes and drainage to reduce the possibility of a fall due to slippery surfaces.
- Keep water spray away from electric wiring or fatal electric shock may result.
- Do not adjust unloader valve to a pressure in excess of machine rating.
- Do not secure trigger gun in the pull-back (open) position.
- Do not by-pass any safety device on this machine.
- Do not leave trigger closed for more than 5 minutes with engine running. This could damage the pump.
- The muffler and engine heat up during operation and remain hot immediately after shutting it down. Avoid contact with a hot muffler or engine or you could be severely burned.

MAINTENANCE AND STORAGE:

- Operate and store this unit on a stable surface.
- High pressure hose can develop leaks from wear, kinking, abuse, etc. Water spraying from a leak is capable of injecting material into skin. Inspect hose each time before using it. Check all hoses for cuts, leaks, abrasions or bulging of cover, or damage or movement of couplings. If any of these conditions exist, replace hose immediately. Never repair high pressure hose. Replace it with another hose that meets minimum pressure rating of your pressure washer.



LOOK FOR THIS SYMBOL TO POINT OUT IMPORTANT SAFETY PRECAUTIONS. IT MEANS "ATTENTION!!! BECOME ALERT!!! YOUR SAFETY IS INVOLVED."

CONGRATULATIONS on your purchase of a Sears Craftsman high pressure washer. It has been designed, engineered and manufactured to give you the best possible dependability and performance.

Should you experience any problem you cannot easily remedy, please contact your nearest Sears Service Center/Department or call the 1-800 number listed on the front of this manual. We have competent, well-trained technicians and the proper tools to service or repair this unit.

Please read and retain this manual. The instructions will enable you to assemble and maintain your high pressure washer properly. Always observe the "SAFETY RULES."

MODEL NUMBER	580.751500
SERIAL NUMBER	_____
DATE OF PURCHASE	_____
<p>THE MODEL AND SERIAL NUMBERS WILL BE FOUND ON A DECAL ATTACHED TO THE PRESSURE WASHER.</p> <p>YOU SHOULD RECORD BOTH SERIAL NUMBER AND DATE OF PURCHASE AND KEEP IN A SAFE PLACE FOR FUTURE REFERENCE.</p>	

MAINTENANCE AGREEMENT

A Sears Maintenance Agreement is available on this product. Contact your nearest Sears store for details.

CUSTOMER RESPONSIBILITIES

- Read and observe the safety rules.
- Follow regular schedule in maintaining, caring for and using your high pressure washer.
- Follow the instructions under "Customer Responsibilities" and "Storage" sections of this Owner's Manual.

PRODUCT SPECIFICATIONS

Pressure Washer Specifications

PUMP PRESSURE	Adjustable to 1800 psi
FLOW RATE	2.5 gpm
DETERGENT MIX	Use undiluted detergent
DETERGENT RATIO	Adjustable to 66:1
WATER SUPPLY TEMPERATURE	Not to exceed 140°F
SUCTION HEIGHT	3 FT. maximum

Engine Specifications

RATED HORSEPOWER	5
DISPLACEMENT	12.6 cu. inches
SPARK PLUG: Type:	Champion RCJ8 or equivalent
Set Gap To.	0.030 inch (0.76mm)
GASOLINE CAPACITY	2 U.S. quarts
OIL (20 oz. capacity)	SAE 30 weight
SOLID STATE IGNITION AIR GAP	0.0125 inch

In the State of California a spark arrestor is required by law (Section 4442 of the California Public Resources Code). Other states may have similar laws. Federal laws apply on federal lands.

NOTE: If you equip the engine of your pressure washer with a spark arrestor muffler, the spark arrestor must be maintained in effective working order by the owner operator.

You can order a spark arrestor through your Sears Service Center. See Repair Parts section of engine for part numbers.

TABLE OF CONTENTS

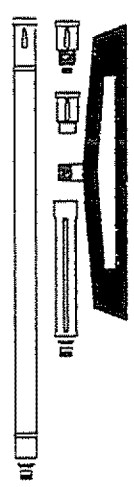
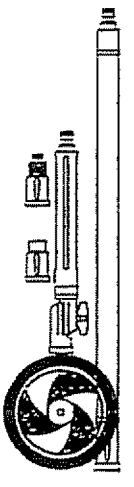
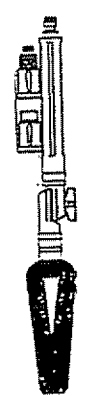


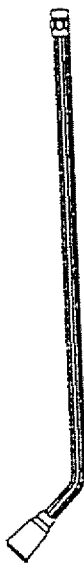
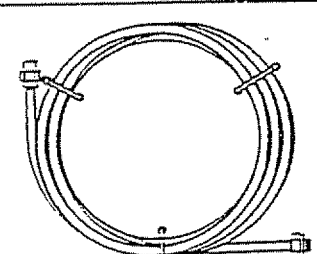
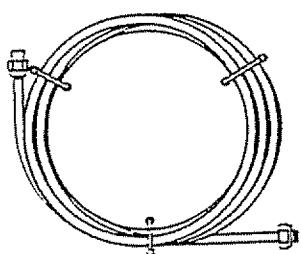
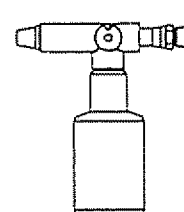
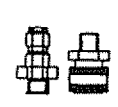

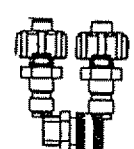
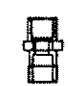
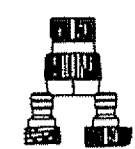

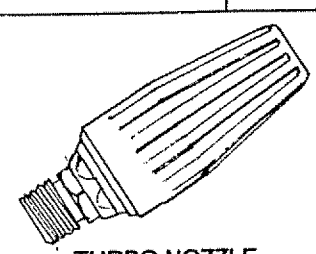
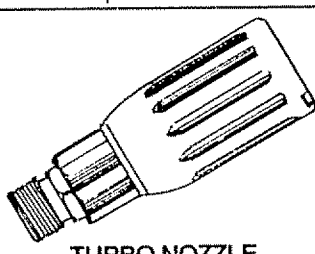

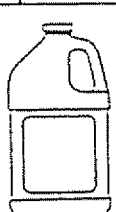
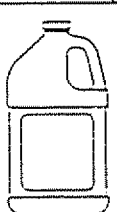
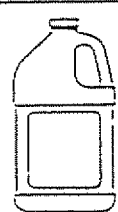
SAFETY RULES	2	CUSTOMER RESPONSIBILITIES	14-15
PRODUCT SPECIFICATIONS	3	SERVICE AND ADJUSTMENTS	16
ACCESSORIES AND ATTACHMENTS	5	STORAGE	17
CONTENTS OF HARDWARE PACK	6	TROUBLESHOOTING	18
ASSEMBLY	7-8	REPLACEMENT PARTS	19-29
OPERATION	9-13	WARRANTY	29

INDEX

- A -	- H -	- P -
Accessories	Hardware Pack	Pressure Regulator
Air Cleaner	High Pressure Hose	- R -
Assembly	- M -	Replacement Parts
Checklist	Maintenance	- S -
Removing from Carton	Agreement	Safety Latch
Tools Required	Engine	Safety Rules
Set Up	Pressure Washer	Service and Adjustments
- B -	Pump	Siphoning
Before Starting the Engine	- N -	Specifications
- C -	Nozzle, Adjustable	Storage
Carburetor	Nozzle, Optional Turbo	Engine
Cleaning Tips	- O -	Pressure Washer Pump
Customer Responsibilities	Oil	- T -
Changing Oil, engine	Engine	Troubleshooting
Changing Oil, pump	Pump	- W -
Checking Oil Level	Operation	Warranty
General Recommendations	Detergent Application	
Pressure Washer	Know Your Pressure Washer	
Replace Spark Plug	Stopping	
Service Air Cleaner	To Start Engine	
- E -	To Turn on Washer	
Engine Speed	Using Adjustable Nozzle	
- G -	Order Parts	
Gun and Wand Assembly	back page	

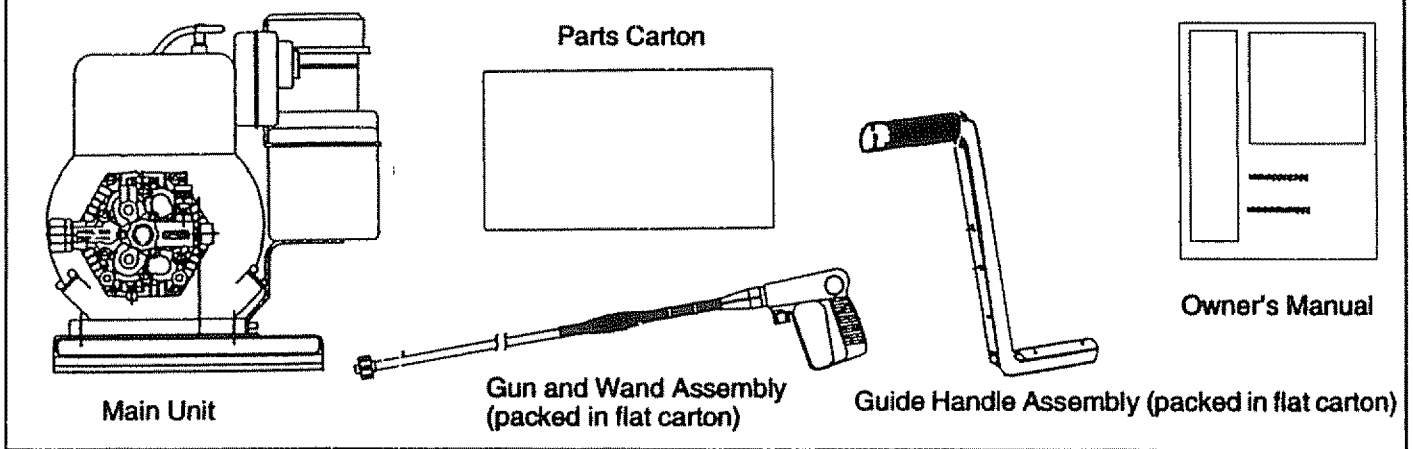
ACCESSORIES AND ATTACHMENTS

These accessories and attachments were available when the high pressure washer was purchased. They are also available at most Sears retail outlets and service centers. Most Sears stores can order these items for you when you provide the model number of your high pressure washer. Some of these accessories may not apply to your pressure washer.

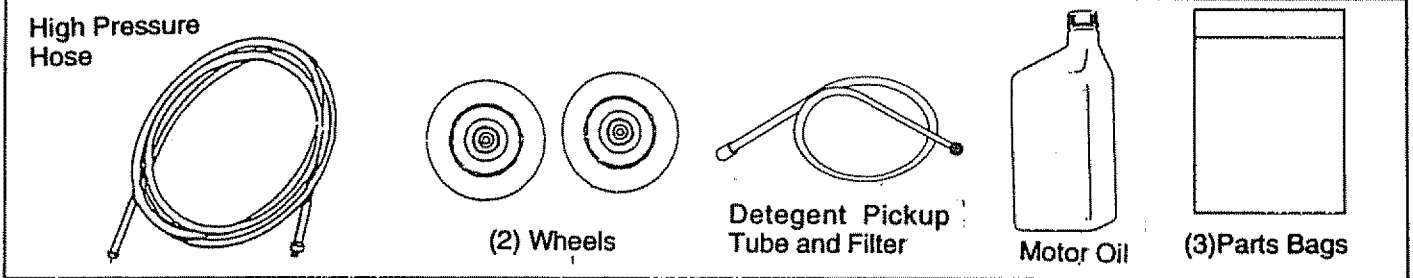
 <p>FLOOR/SIDING BRUSH KIT</p>	 <p>ROTATING BRUSH KIT</p>	 <p>UTILITY BRUSH KIT</p>	 <p>18" STAINLESS STEEL EXTENSION</p>	 <p>ELECTRIC TURBO NOZZLE</p>	 <p>ANGLE EXTENSION KIT</p>
 <p>1/4" I.D. 25 ft. EXTENSION HOSE</p>		 <p>3/8" I.D. 50 ft. EXTENSION HOSE</p>		 <p>CHEMICAL INJECTION FOAMER</p>	
 <p>HIGH PRESSURE HOSE QUICK CONNECT KIT</p>	 <p>ACCESSORY QUICK CONNECT</p>	 <p>ACCESSORY QUICK CONNECT STARTER KIT</p>	 <p>HIGH PRESSURE HOSE TO HOSE COUPLING</p>	 <p>GARDEN HOSE QUICK CONNECT WITH 2 ADAPTORS</p>	 <p>PRESSURE GAUGE</p>
 <p>TURBO NOZZLE 1800 PSI (max.)</p>	 <p>TURBO NOZZLE 2200 AND 2500 PSI (max.)</p>	 <p>MULTI-PURPOSE/HOUSE WASH</p>	 <p>DECK WASH</p>	 <p>VEHICLE/BOAT WASH</p>	 <p>DEGREASER</p>

CONTENTS OF HARDWARE PACK

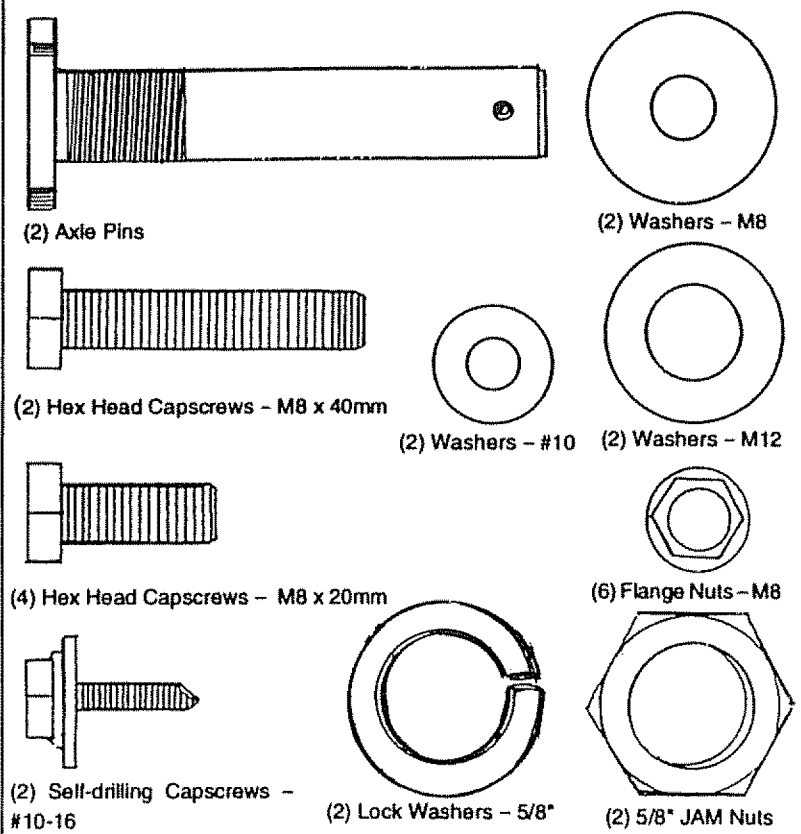
Parts packed separately in carton



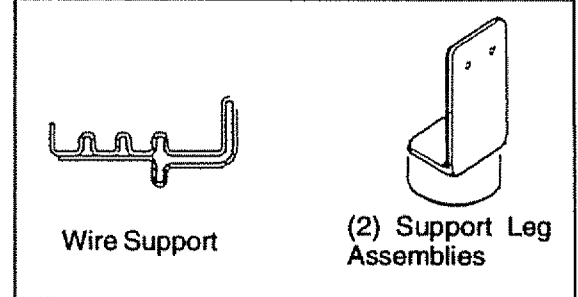
Parts packed in Parts Carton



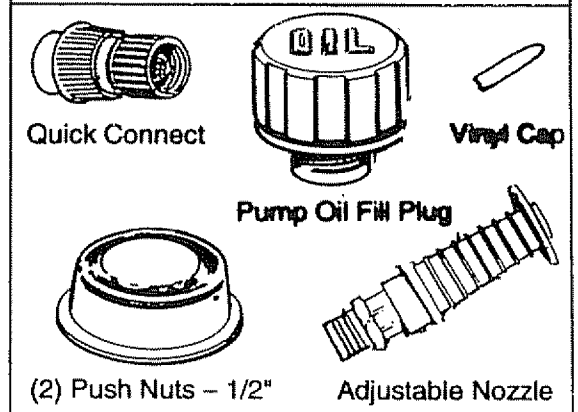
Parts Bag contents shown full size (fasteners)



Parts Bag contents not shown full size



Parts Bag contents not shown full size



ASSEMBLY

Read these instructions and Operator's Manual in its entirety before you attempt to assemble or operate your new high pressure washer. Your high pressure washer has, for the most part, been assembled at the factory, except those parts left unassembled. Before you can operate your new high pressure washer, you must assemble the wheel kit and properly connect the high pressure hose.

IF YOU HAVE ANY PROBLEMS WITH THE ASSEMBLY OF YOUR PRESSURE WASHER, PLEASE CALL THE PRESSURE WASHER HELPLINE AT 1-800-222-3136.

TOOLS REQUIRED FOR ASSEMBLY

- Mallet
- 2 adjustable wrenches OR the following wrenches:
- 5/16" (8mm) combination wrench
- 1/2" (13mm) combination wrench
- 5/8" (16mm) combination wrench
- 11/16" (18mm) combination wrench
- 7/8" (22mm) combination wrench
- 15/16" (24mm) combination wrench

TO REMOVE PRESSURE WASHER FROM CARTON

- Remove two boxes marked "PARTS INSIDE" and remove the parts contained in both boxes.
- Remove unit with one hand under pump and one hand under recoil starter.

Refer to Page 6, "Contents of Hardware Pack" for an illustrated listing of all the items included with your pressure washer. Become familiar with each piece before assembling the pressure washer. Check all contents against the illustrations on Page 6. If any parts are missing or damaged, call the Pressure Washer Helpline at 1-800-222-3136.

HOW TO SET UP YOUR PRESSURE WASHER TO INSTALL THE WHEEL KIT

Installing the wheel kit requires the tools listed, the guide handle and items included in the parts carton.

- Prop up the engine end of the main unit. This will allow you to slip each axle pin into the holes provided on the side of the base (Fig. 1).

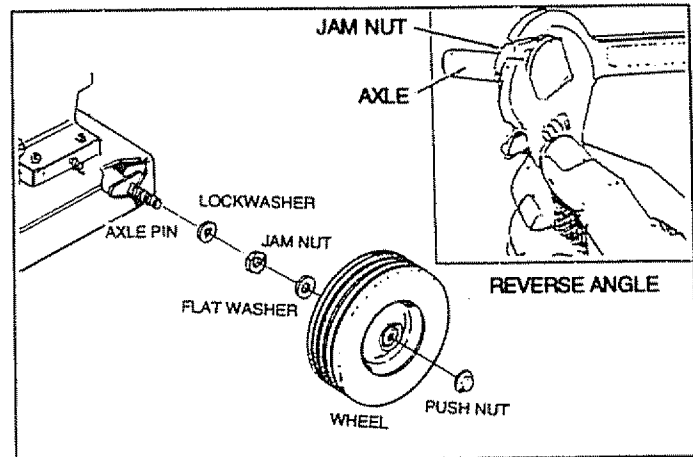


FIG. 1

- With the axle pin inserted inside the base, grip the end of the axle pin as shown with an adjustable or 15/16" combination wrench. This will keep axle from spinning as you fasten axle to the base with a 5/8" lock washer, a 5/8"-18 JAM nut, and an M12 flat washer.
- Place wheels on the axles so the rib side of hub is against mounting base.
- Retain each wheel to its axle pin by tapping a push nut onto end of axle with a mallet.
- Attach support legs to base as shown in Fig. 2 with M8 x 20mm hex head capscrews and flange lock nuts. Tighten with 13mm or 1/2-inch wrench on each fastener. Be sure legs are straight when you are finished.
- Attach the guide handle to the base as shown in Fig. 2 with two M8 x 40mm hex head capscrews, two M8 washers and two flange nuts.

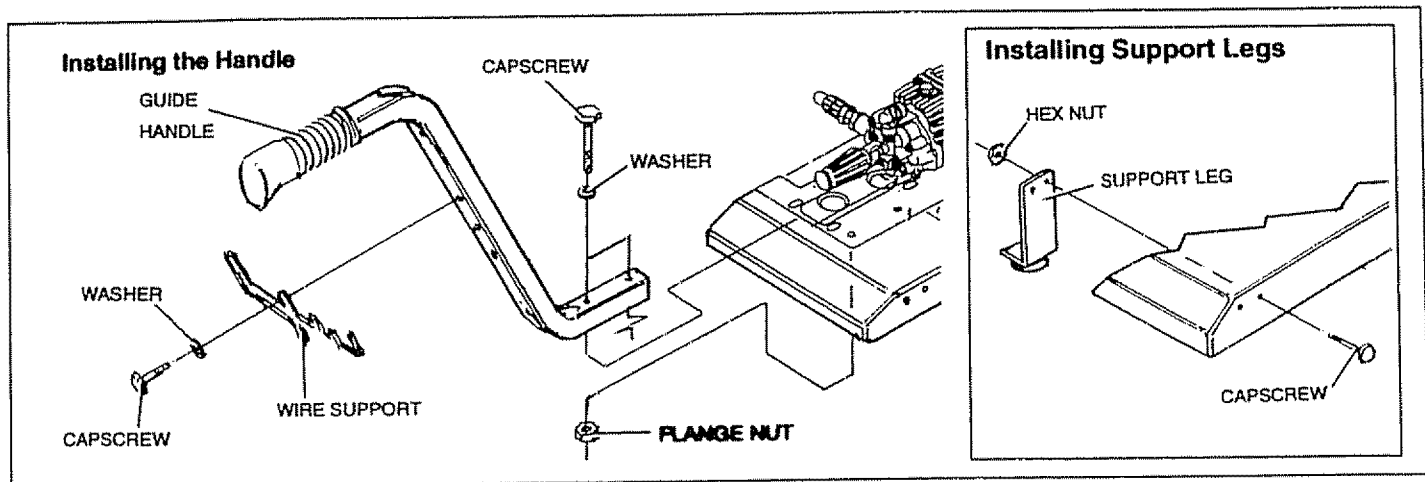


FIG. 2

ASSEMBLY

- Attach wire support to guide handle with #10 self-drilling screws and #10 flat washers (Fig. 3). The hose minder should be to the left and gun holder to the right. Be sure loop of support is pointing upward. Place vinyl cap onto gun holder.

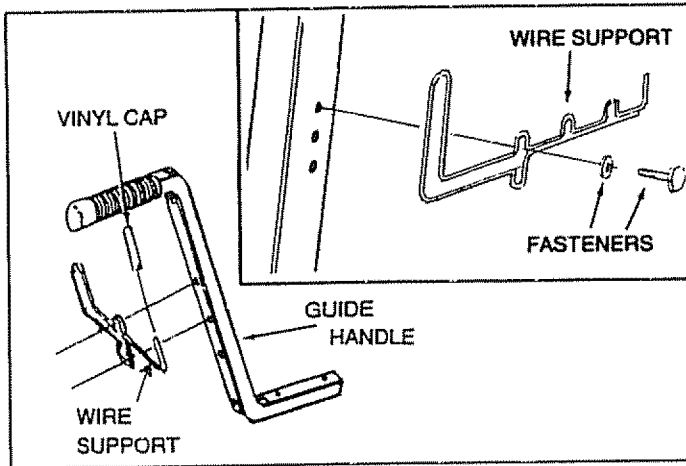


FIG. 3

TO ASSEMBLE REMAINING COMPONENTS

IMPORTANT: YOU MUST ASSEMBLE WAND AND ATTACH ALL HOSES BEFORE YOU START ENGINE. STARTING ENGINE WITHOUT ALL HOSES CONNECTED AND WATER SUPPLIED WILL DAMAGE PUMP.

- Remove cap from top of pump and insert oil fill cap included in parts bag (Fig. 4).

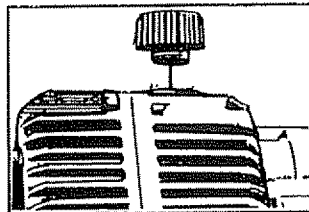


FIG. 4

- Included with this unit is a Quick-Connect fitting you attach to Water Inlet on pump. The quick-connect includes two parts — a Male Connector factory-installed on water inlet and a Female Connector (Fig. 5).

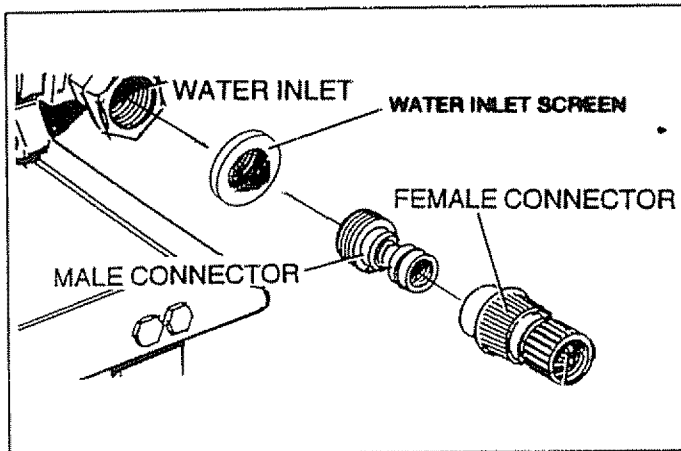


FIG. 5

Remove male connector to inspect Intake Supply Screen in water inlet for cleanliness and inspect Inlet Screen on female connector. Reattach male connector to water inlet and attach female connector to garden hose.

- Unravel high pressure hose, remove protective cap from end of hose and check that threads are properly covered with teflon tape. If tape is not properly applied, reapply it so threads are fully covered. The tape seals the connection from hose to gun and wand assembly.
- Attach fitting with teflon tape to gun and wand assembly (Fig. 6). You may want to spin gun or spin hose to secure connection. Tighten with adjustable wrench.

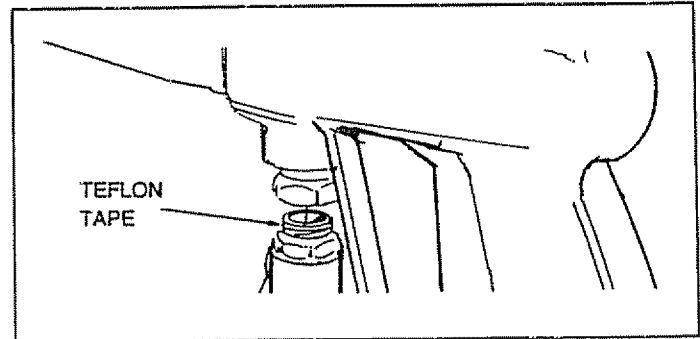


FIG. 6

- Attach the other end of the high pressure hose to high pressure fitting on pump (Fig. 7). Tighten with adjustable wrench.

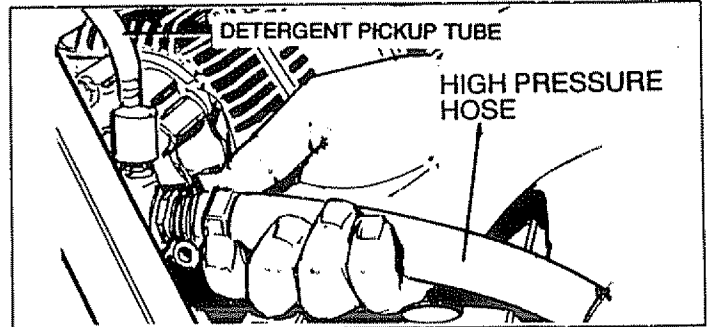


FIG. 7

- Attach Detergent Pickup Tube and Filter as shown in Fig. 7.
- To attach the adjustable nozzle, refer to Operation section, Fig. 10.; to store optional turbo nozzle, refer to Operation section, Fig. 17.

CHECKLIST

- Check that fasteners you used to install wheels and handle are tight. Vibration during operation may loosen fasteners that are not tight enough.
- Check for proper hose connections (high pressure and water supply) and for tight connections and that there are no kinks, cuts, or damage to the high pressure hose.
- Provide proper water supply (not to exceed 140°F).
- Be sure to read "Safety Rules" and "Operation" sections before using the pressure washer.

OPERATION

KNOW YOUR HIGH PRESSURE WASHER

READ THIS OWNER'S MANUAL AND SAFETY RULES BEFORE OPERATING YOUR HIGH PRESSURE WASHER. Compare the illustrations with your high pressure washer to familiarize yourself with the locations of various controls and adjustments. Save this manual for future reference.

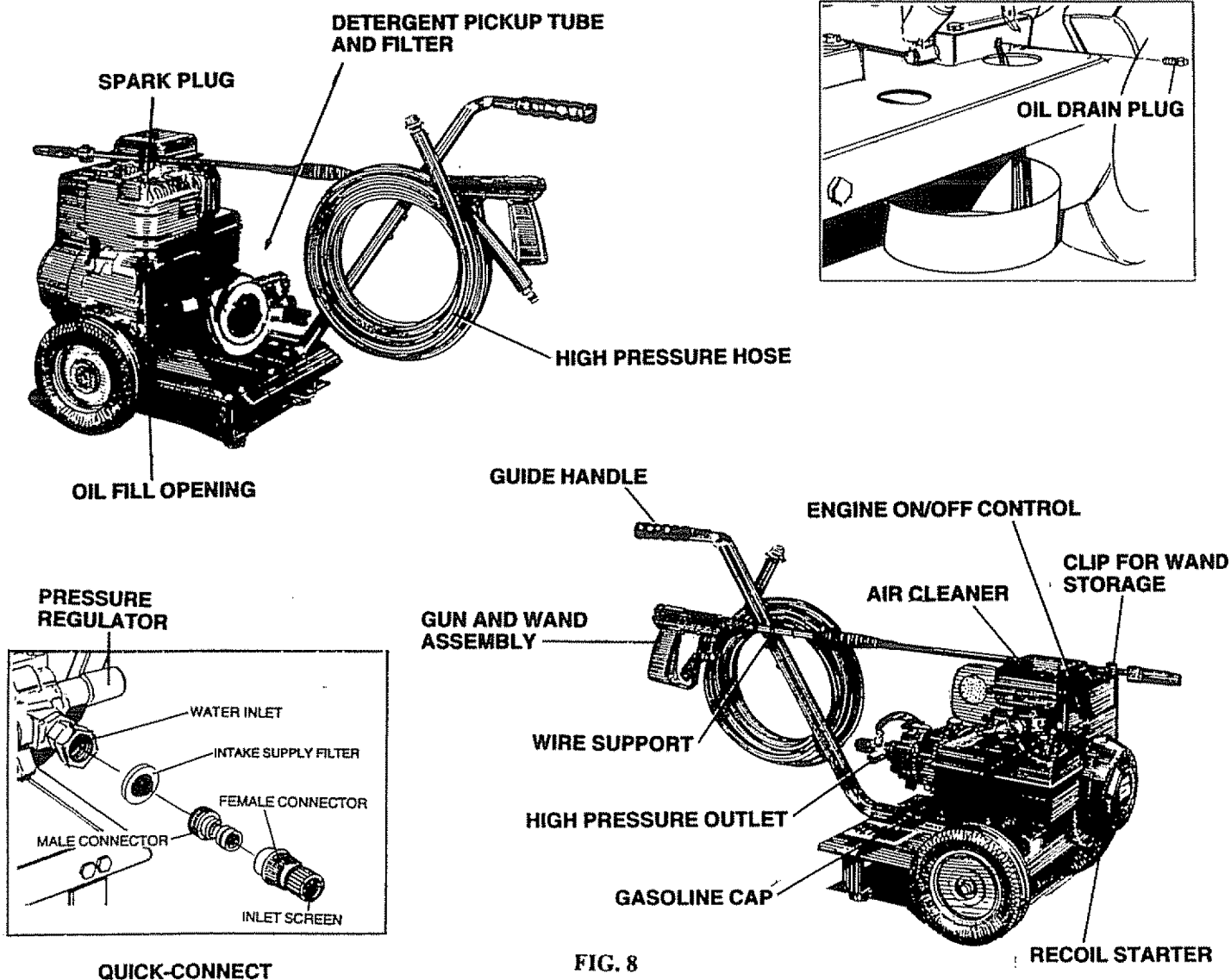


FIG. 8

PUMP — Develops high pressure.

PRESSURE REGULATOR — Allows you to adjust the pressure of the outlet stream

ENGINE ON-OFF CONTROL — Sets engine in starting mode for recoil starter; turns OFF running engine.

RECOIL STARTER — Used for starting the engine manually.

AIR CLEANER - Dry type filter element limits the amount of dirt and dust that gets in the engine.

GUN AND WAND ASSEMBLY— Controls the application of water onto cleaning surface with trigger device. Includes safety latch.

HIGH PRESSURE HOSE — Connect one end to water pump and other to spray wand.

INTAKE SUPPLY FILTER — Filters inlet water supply.

DETERGENT PICKUP TUBE AND FILTER — Mixes water and detergent in outlet water flow.

HIGH PRESSURE OUTLET — Connection for high pressure hose.

QUICK-CONNECT — Easy connection for intake water supply.

OPERATION

HOW TO USE YOUR WASHER

IF YOU HAVE ANY PROBLEMS OPERATING YOUR PRESSURE WASHER, PLEASE CALL THE PRESSURE WASHER HELPLINE AT 1-800-222-3136.

STOPPING YOUR PRESSURE WASHER

- First, move engine throttle lever to "OFF" position (Fig. 9).

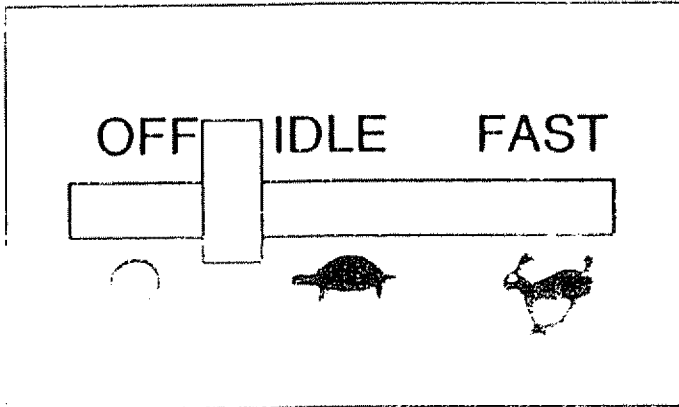


FIG. 9

- Simply shutting OFF engine will not release pressure in the system. Pull the trigger on the spray wand assembly to relieve the pressure in the hose.

NOTE: A small amount of water will squirt out when you release the pressure.

SPRAY NOZZLES

Your high pressure washer comes equipped with an adjustable nozzle (Fig. 10). Attach nozzle as shown in Fig. 10 and **HAND TIGHTEN** the plastic knob. Figure 11 shows the optional turbo nozzle.

HOW TO USE ADJUSTABLE NOZZLE

WARNING: NEVER ADJUST SPRAY PATTERN WHEN SPRAYING. NEVER PUT HANDS IN FRONT OF SPRAY NOZZLE TO ADJUST SPRAY PATTERN.

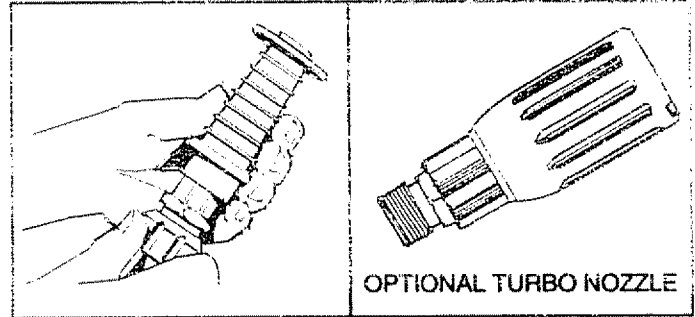


FIG. 10

FIG. 11

With the adjustable nozzle you can adjust the spray pattern to be either high pressure or low pressure. You can also adjust the spray so it is concentrated in a stream pattern or expanded into a fan pattern. Use this nozzle to apply detergent.

- Push the nozzle attachment forward when you wish to adjust the spray to low pressure mode (Fig. 12). Push the nozzle backward to achieve high pressure.
- Twisting the nozzle adjusts the spray pattern from a narrow stream to an expanded stream.
- You can also adjust the pressure by turning the pressure control knob (Fig. 13) to the desired pressure setting. Turning this knob all the way clockwise produces the highest pressure. Do not unscrew the pressure control valve more than 3 turns. It will come off.

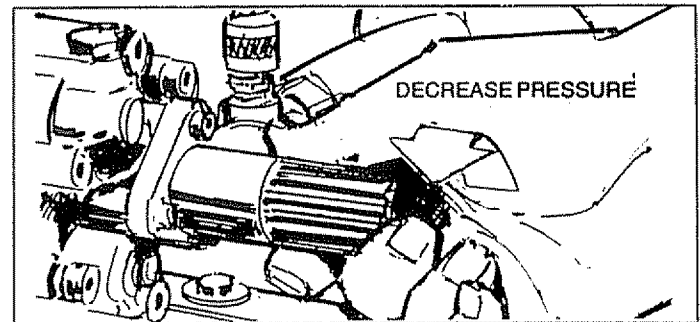
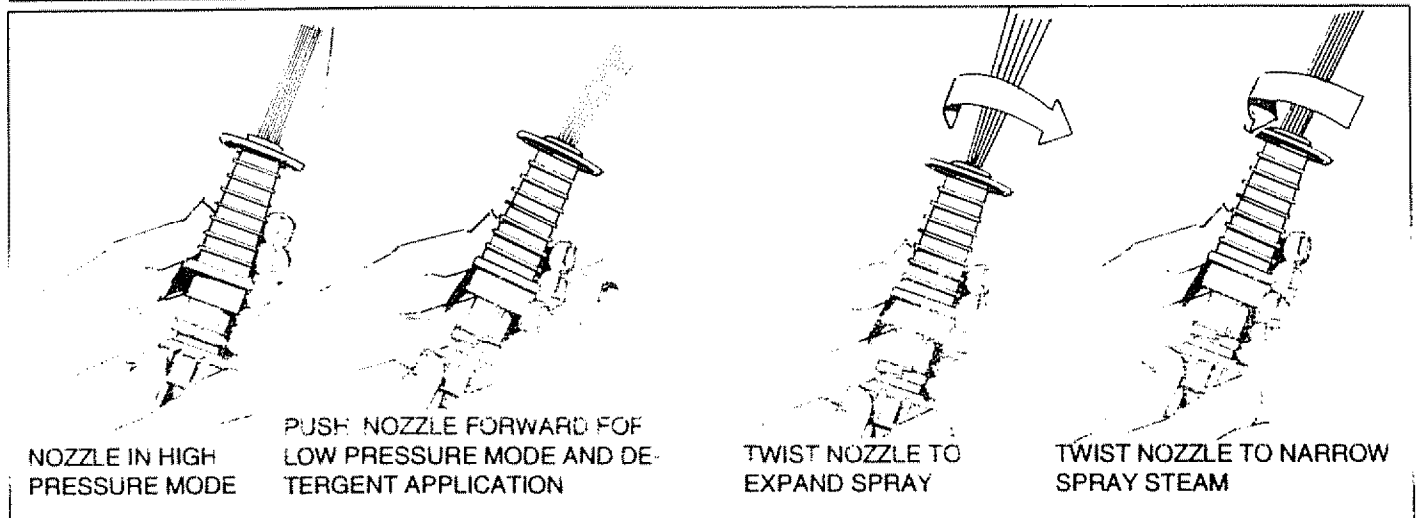


FIG. 13



NOZZLE IN HIGH PRESSURE MODE

PUSH NOZZLE FORWARD FOR LOW PRESSURE MODE AND DETERGENT APPLICATION

TWIST NOZZLE TO EXPAND SPRAY

TWIST NOZZLE TO NARROW SPRAY STREAM

FIG. 12

OPERATION

DETERGENT APPLICATION WITH ADJUSTABLE NOZZLE

IMPORTANT: USE SOAPS DESIGNED SPECIFICALLY FOR PRESSURE WASHERS. HOUSEHOLD DETERGENTS COULD DAMAGE THE PUMP.

IMPORTANT: YOU MUST ATTACH ALL HOSES BEFORE YOU START THE ENGINE. STARTING THE ENGINE WITHOUT ALL THE HOSES CONNECTED WILL DAMAGE THE PUMP.

Pressure washers are useful cleaning tools designed to clean almost any surface in two easy steps.

- The first step involves applying an appropriate detergent/solvent solution to penetrate and loosen grime. The detergent is applied at low pressure to avoid splashing, overspraying and waste. Leave the solution on surface for 3 to 5 minutes to allow solution to work.
- The second step involves cleaning the surface you have prepared with the pressure washer and then rinsing it clean.

To apply detergent follow these steps:

- Prepare your detergent solution as required by your job.
- Place small filter of the clear, detergent siphoning tube into the detergent container (Fig. 14).
- Set nozzle to low pressure mode. Detergent is not siphoned in the high pressure mode (Fig. 12).
- Start washer and apply detergent to a dry surface, starting from the bottom and working up. You can adjust the concentration of detergent by turning the knob on the detergent injector (Fig. 15).
- Turn knob clockwise or remove siphon from bottle to stop flow of detergent in low pressure mode.

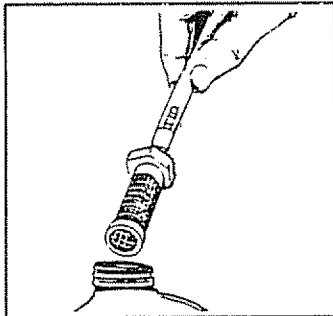


FIG. 14

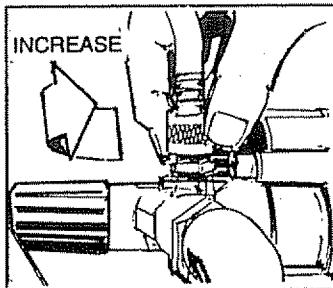


FIG. 15

- Hook up water supply (Fig. 16).
- Adjust nozzle to select high pressure mode.

NOTE: Detergent will not flow when in the high pressure mode.

- Start washer and work from the top of the surface to the bottom.

NOTE: The high pressure mode is most effective when the tip of the wand is held between 8 inches to two feet from the surface being cleaned.

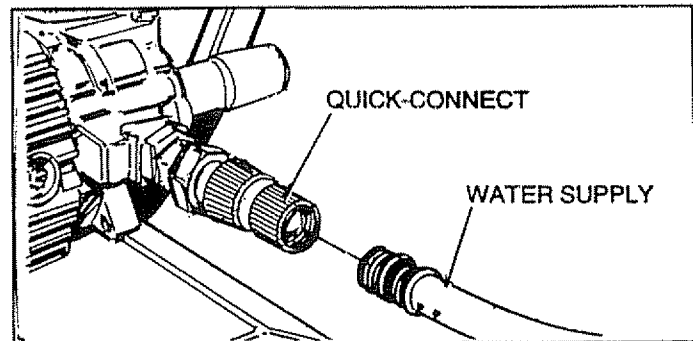


FIG. 16

HOW TO USE OPTIONAL TURBO NOZZLE

- The rotating turbo nozzle, in essence, expands the area of the high pressure stream.
- You cannot adjust the spray pattern with this nozzle.
- You cannot apply detergent with this nozzle.

STORING NOZZLES

A holder for the nozzles is included on the base. You can keep the adjustable nozzle in this holder (Fig. 17) or even the optional turbo nozzle.

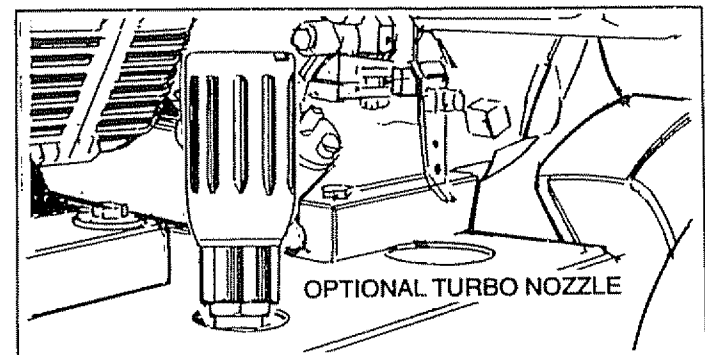


FIG. 17

NOTE: Detergents are most effective when applied to a dry surface.

PRESSURE WASHING/RINSING

WARNING: BE EXTREMELY CAREFUL IF YOU MUST USE PRESSURE WASHER FROM LADDER, SCAFFOLDING OR ANY OTHER RELATIVELY UNSTABLE LOCATION. PRESSURE IN A RUNNING WASHER BUILDS IN THE WAND AS YOU CLIMB. WHEN YOU PRESS THE TRIGGER, THE RECOIL FROM THE INITIAL SPRAY COULD FORCE YOU TO FALL, OR IF YOU ARE TOO CLOSE TO THE CLEANING SURFACE, HIGH PRESSURE COULD FORCE YOU OFF CLIMBING APPARATUS.

BEFORE STARTING THE ENGINE

To operate the engine you will need the following:

ENGINE OIL

IMPORTANT: ANY ATTEMPT TO CRANK OR START THE ENGINE BEFORE IT HAS BEEN PROPERLY SERVICED WITH THE RECOMMENDED OIL RESULTS IN AN ENGINE FAILURE.

A 27 oz. bottle of SAE 30 weight oil is included in the parts carton.

OPERATION

NOTE: When adding oil to the engine crankcase in the future, use only high quality detergent oil rated with API service classification SF, SG or SH rated SAE 30 weight. Use no special additives. Select the oil's viscosity grade according to your expected operating temperature.

colder	32°F	warmer
5W30		SAE30

Although multi-viscosity oils (5W30, 10W30, etc.) improve starting in cold weather, these multi-viscosity oils will result in increased oil consumption when used above 32°F. Check your engine oil level more frequently to avoid possible damage from running low on oil. Oil sump capacity is 20 ounces.

- Position pressure washer so engine is level.
- Clean area around oil fill plug and remove oil fill plug (Fig. 18).

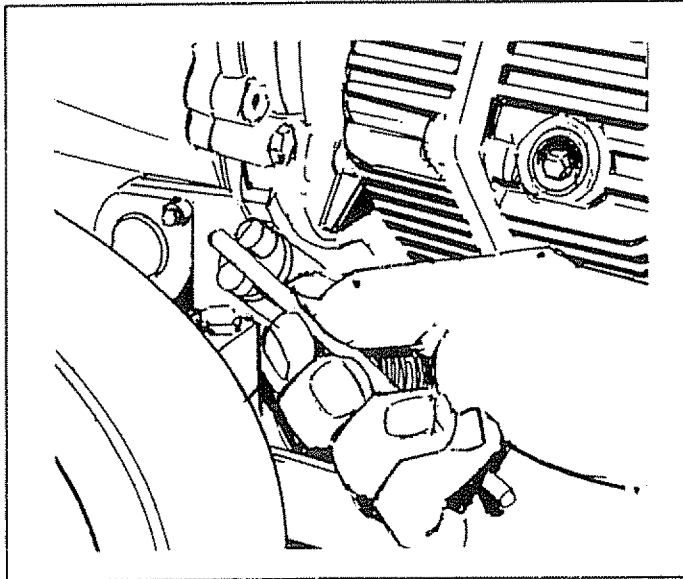


FIG. 18

- Fill oil crankcase to point of overflowing. Oil sump capacity is 20 U.S. ounces.

IMPORTANT: THE MOTOR OIL INCLUDED IN THE CARTON CONTAINS 27 OUNCES. IT IS NOT NECESSARY TO USE THE ENTIRE AMOUNT OF OIL IN THE OIL CONTAINER.

GAS



WARNING: NEVER FILL FUEL TANK INDOORS. NEVER FILL FUEL TANK WHEN ENGINE IS RUNNING OR HOT. DO NOT SMOKE WHEN FILLING FUEL TANK.



WARNING: NEVER FILL FUEL TANK COMPLETELY FULL. FILL TANK TO ABOUT 1/2" BELOW THE BOTTOM OF FILLER NECK TO PROVIDE SPACE FOR FUEL EXPANSION. WIPE AWAY ANY FUEL SPILLAGE FROM ENGINE AND EQUIPMENT BEFORE STARTING.

The manufacturer recommends fresh, clean, unleaded regular automotive gasoline with a minimum of 77 octane (Leaded regular grade is an acceptable substitute). Tank capacity is 2 U.S. quarts.

- Use clean fuel and store in approved, clean covered containers. Use clean fill funnels. Never use "stale" gasoline left over from last season or gasoline stored for long periods.

IMPORTANT: IT IS IMPORTANT TO PREVENT GUM DEPOSITS FROM FORMING IN ESSENTIAL FUEL SYSTEM PARTS SUCH AS THE CARBURETOR, FUEL FILTER, FUEL HOSE OR TANK DURING STORAGE. ALSO, EXPERIENCE INDICATES THAT ALCOHOL-BLENDED FUELS (CALLED GASOHOL OR USING ETHANOL OR METHANOL) CAN ATTRACT MOISTURE WHICH LEADS TO SEPARATION AND FORMATION OF ACIDS DURING STORAGE. ACIDIC GAS CAN DAMAGE THE FUEL SYSTEM OF AN ENGINE WHILE IN STORAGE. TO AVOID ENGINE PROBLEMS, THE FUEL SYSTEM SHOULD BE EMPTIED BEFORE STORAGE OF 30 DAYS OR LONGER. SEE "STORAGE" ON PAGE 17. NEVER USE ENGINE OR CARBURETOR CLEANER PRODUCTS IN THE FUEL TANK OR PERMANENT DAMAGE MAY OCCUR.

- Clean area around fuel fill cap, remove cap.
- Add "UNLEADED" regular gasoline, slowly, to fuel tank.
- Install fuel cap and wipe up any spilled gasoline.

TO TURN ON WASHER

- Attach one end of a garden hose to a cold water source. Water supply should not exceed 140°F (55°C).
- Check that high pressure hose is attached to pump outlet and that water supply is attached to pump inlet (plastic fitting).
- Turn ON water.
- Press trigger on gun and wand assembly to force air from high pressure hose.
- Start engine according to "TO START ENGINE."

OPERATION

TO START ENGINE

IMPORTANT: DO NOT RUN PUMP WITHOUT THE WATER SUPPLY CONNECTED AND TURNED ON. YOU MUST FOLLOW THIS CAUTION OR THE PUMP WILL BE DAMAGED.

- Press trigger on pressure washer wand to relieve high pressure and/or purge the inlet hose of air.
- Move engine control lever to CHOKE position (Fig. 19).

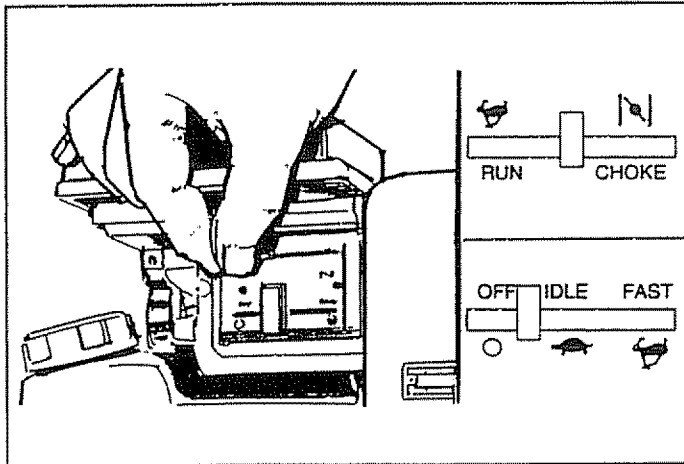


FIG. 19

- Move throttle control to FAST position.
- Press trigger and release to relieve pressure in system.
- Adjust safety latch to the ON position. This disables the trigger so you cannot inadvertently actuate a high pressure spray (Fig. 20).

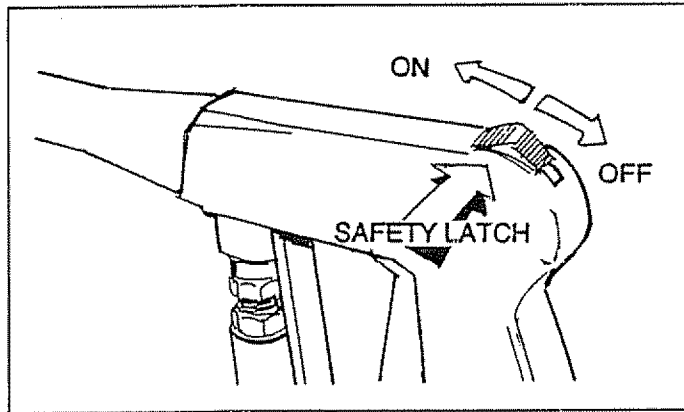


FIG. 20

- Grasp the engine starter recoil handle and pull back slowly until you feel some resistance. Then pull rope rapidly to overcome compression, prevent kickback and start engine. Let rope return slowly (Fig. 21).
- When engine starts, move choke lever to "RUN" position and throttle control to "FAST" position. If engine fails to start, move choke lever to "RUN" position and pull starter rope (max. 2 pulls).
- If engine fails to start, repeat the process up to three times, then check the Troubleshooting Chart.

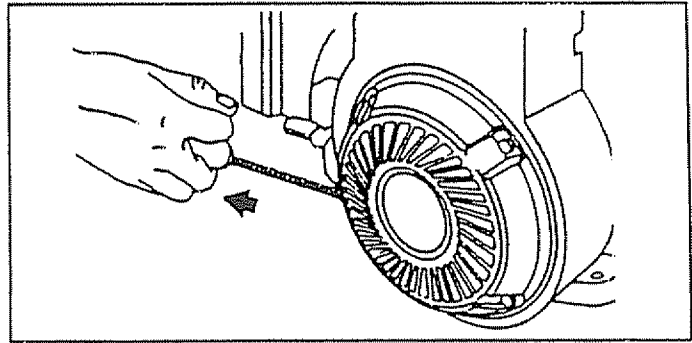


FIG. 21

NOTE: The engine is equipped with low oil level shutdown system. The engine will not start unless the oil crankcase is filled to proper level. If engine shuts down during operation or you have difficulty starting the engine, check crankcase oil level and add oil if required.

- Once engine has started, place Safety Latch on spray gun in OFF position.
- Press trigger on gun and wand assembly. Water should spray out the nozzle.
- Adjust nozzle for correct pressure, spray angle. You can also turn the pressure control knob to the desired pressure setting.
- Your pressure washer is ready to use.

SIPHONING

We recommend that you **DO NOT** siphon your water supply. Connect only to household water supply.

TIPS

- Initially clean an area and then check the surface for damage. If no damage is found, you can assume it is okay to continue cleaning. Detergents work best when applied to dry surface.
- For most effective cleaning, keep spray nozzle between 8 to 24 inches of cleaning surface.
- Allow the detergent to soak in between 3-5 minutes before washing and rinsing.
- For cleaning, start at lower portion of area to be washed and work upward, using long, even overlapping strokes.
- For rinsing, push the nozzle sleeve to high pressure and wait for detergent to clear. Start at the top of area to be rinsed, working down with the same action as for cleaning.
- Never use the garden hose inlet to siphon detergent or wax.
- If you get the spray nozzle too close, especially using high pressure mode, you may damage the cleaning surface.
- If you have the spray nozzle too far away, the cleaning will not be as effective.
- Do not get closer than 6 inches when cleaning automobile tires.

CUSTOMER RESPONSIBILITIES

MAINTENANCE SCHEDULE FILL IN DATES AS YOU COMPLETE REGULAR SERVICE	HOURLY OPERATING INTERVAL				SERVICE DATES				
MAINTENANCE TASK	Before Each Use	Every 25 Hours or Yearly	After First 50 Hours	Every 100 Hours or Yearly					
PRESSURE WASHER									
Check/clean inlet filter and screen	X†								
Check high pressure hose.	X								
Check detergent hose.	X								
Check gun and wand for leaks.	X								
Change pump oil			X‡						
ENGINE									
Check oil level.	X								
Change engine oil. ♦		X*							
Service air cleaner.				X**					
Replace/clean spark plug.				X					
Prepare for storage.	Prepare unit for storage if it is to remain idle longer than 30 days								

† Clean if clogged. Replace if perforated or torn.

‡ Change oil after first 50 operating hours, then after every 100 hours or yearly.

♦ Change oil after first 5 hours, then after every 25 hours.

* Change sooner when operating under heavy load or high ambient temperature.

GENERAL RECOMMENDATIONS

The warranty of the high pressure washer does not cover items that have been subjected to operator abuse or negligence. To receive full value from the warranty, operator must maintain high pressure washer as instructed in this manual.

Some adjustments will need to be made periodically to properly maintain your high pressure washer.

All adjustments in the Service and Adjustments section of this manual should be made at least once each season.

- Once a year you should replace the spark plug and clean or replace the air filter and check the gun and wand assembly for wear. A new spark plug and clean air filter assure proper fuel-air mixture and help your engine run better and last longer.

BEFORE EACH USE

- Check engine oil level.
- Check water inlet filter and quick-connect screen for damage.
- Check high pressure hose for leaks.
- Check detergent inlet hose and filter for damage.
- Check gun and wand assembly for leaks.

PRESSURE WASHER MAINTENANCE



DANGER: WATER SPRAYING FROM A LEAK IS CAPABLE OF INJECTING MATERIAL INTO SKIN. NEVER REPAIR HIGH PRESSURE HOSE. REPLACE WITH HOSE THAT MEETS MINIMUM PRESSURE RATING OF YOUR PRESSURE WASHER.

Check Inlet Filter and Screen: Remove quick-connect and examine inlet screen on the female connector and filter on pump inlet fitting. Clean if either is clogged or replace if either is torn.

Check High Pressure Hose: High pressure hose can develop leaks from wear, kinking, abuse. Inspect hose each time before using it. Check for cuts, leaks, abrasions or bulging of cover, or damage or movement of couplings. If any of these conditions exist, replace hose immediately.

Check Detergent Hose: Examine the filter on the detergent hose and clean if clogged. Hose should fit tightly on barbed fitting. Examine hose for leaks or tears. Replace the filter or hose if either is damaged.

Check Gun and Wand: Examine hose connection to gun and make sure it is secure. Test trigger by pressing it and making sure it springs back into place when you release it. Put safety latch in ON position and test trigger. You should not be able to press trigger.

Check Pump Oil: Refer to PUMP MAINTENANCE for information.

CUSTOMER RESPONSIBILITY

PUMP MAINTENANCE



WARNING: DO NOT ATTEMPT TO DISASSEMBLE THE PUMP. WITHOUT THE PROPER TECHNIQUE, ATTEMPTING TO DISASSEMBLE PUMP MAY CAUSE PERSONAL INJURY. FOR SERVICE, CONSULT A SEARS AUTHORIZED SERVICE CENTER OR CONTACT YOUR PLACE OF PURCHASE.

Pump Oil: Change pump oil after first 50 hours of operation. To change pump oil, follows these steps:

- Place a proper container beneath the pump (Fig. 22).

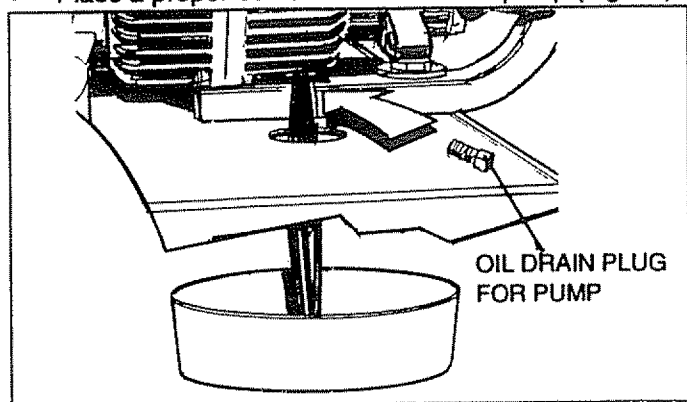


FIG. 22

- Remove the Oil Fill Plug on bottom of pump and drain oil into the container.
- When oil has drained completely, reinstall oil drain plug.
- Remove pump's oil fill plug, insert funnel and add recommended SAE 80W-90 oil until level reaches full mark on gauge located on side of the pump. Capacity is 9 ounces (260ml).
- Reinstall the pump's oil fill plug.

Purge Pump of Air and Containments:

To remove the air from the pump, follow these steps:

- Set up the pressure washer as described in the ASSEMBLY section and connect the water supply.
- Remove the nozzle attachment from the gun.
- Pull the trigger on the gun and hold.

To remove the containments from the pump, follow these steps:

- Set up the pressure washer as described in the ASSEMBLY section, connect the water supply and start the engine according to instructions in the OPERATION section.
- Remove the nozzle attachment from the gun.
- Pull the trigger on the gun and hold.
- When the water supply is steady and constant, you may refasten the nozzle attachment and start the pump.

ENGINE MAINTENANCE

CHECKING OIL LEVEL

See "PREPARATION BEFORE USE" for information on checking oil level. Oil level should be checked prior to each use or at least every 5 hours of operation. Keep oil level maintained.

CHANGING OIL

- Change oil after first 5 hours of operation. Change oil every 25 hours thereafter. If you are using your pressure washer under extremely dirty or dusty conditions, or in extremely hot weather, change oil more often.
- Change oil while engine is still warm from running, as follows:



CAUTION: DISCONNECT SPARK PLUG WIRE FROM SPARK PLUG AND KEEP IT AWAY FROM SPARK PLUG.

- Clean area around oil drain plug, remove plug and drain oil completely into a suitable container (Fig. 23).

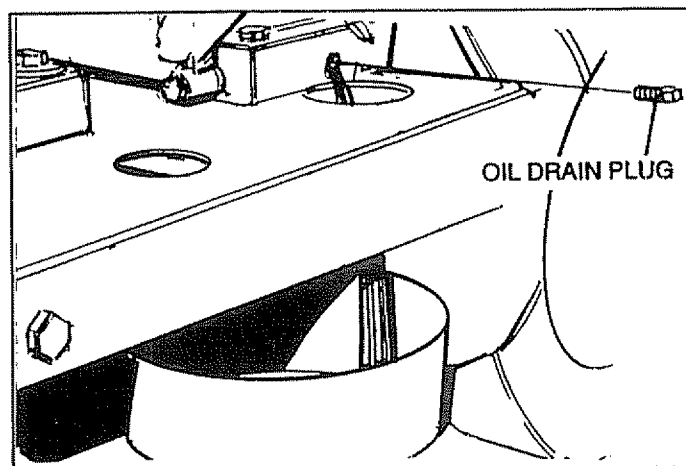


FIG. 23

- When all oil has drained, install and tighten oil plug.
- Clean area around oil fill plug and remove oil fill plug.
- Fill engine crankcase with recommended oil until oil level is at point of overflowing. About 20 ounces is required. POUR SLOWLY.
- When engine crankcase is filled to proper level, install and tighten oil fill plug.

SERVICE AIR CLEANER

Your engine will not run properly and may be damaged if you run it using a dirty air cleaner.

Clean or replace the air cleaner paper filter once every 100 hours of operation or once a year, whichever comes first. Clean or replace more often if operating under dusty or dirty conditions. Replacements are available at your local Sears Authorized Service Center.

To clean or replace air cleaner (Fig. 24 on Page 16):

- Loosen cover screws (these need not be removed) and remove cover. Thoroughly clean inside of base and cover.

CUSTOMER RESPONSIBILITIES

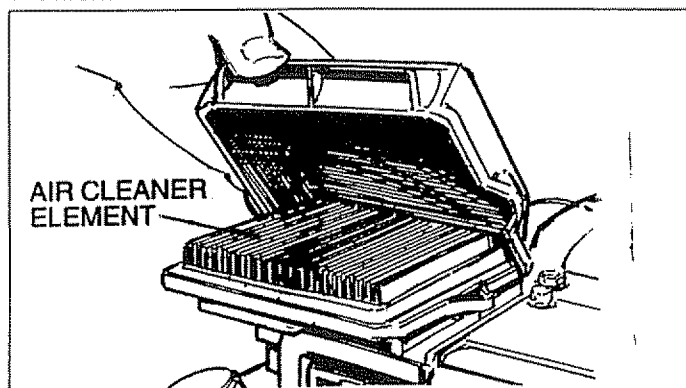


FIG. 24

- Service cartridge by tapping gently on a flat surface. Replace if dirty. Do not oil cartridge.
- Insert cartridge (new or used) and reassemble cover to base as it was removed before. Tighten cover screws securely.

CLEAN COOLING SYSTEM

- Clean dirt or chaff from finger guard or rotating screen every 8 hours to prevent engine damage caused by overheating (Fig. 25).

- Keep dirt and combustible debris off of muffler area.

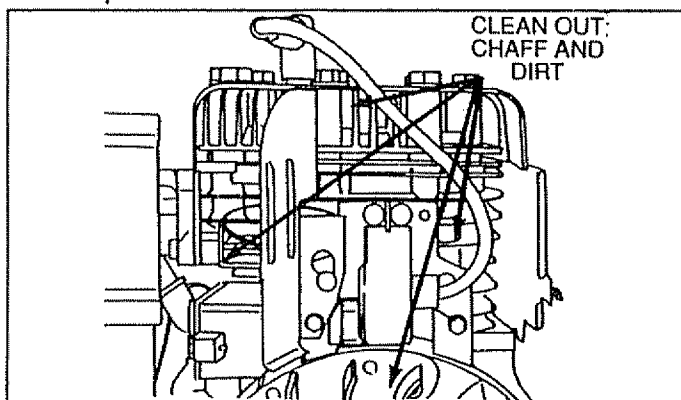


FIG. 25

REPLACE SPARK PLUG

Change the spark plug every 100 hours of operation or once each year, whichever comes first. This will help engine to start easier and run better. See pressure washer specifications for the type of spark plug you need. Spark plug gap is 0.030 inch (0.76mm).

SERVICE AND ADJUSTMENTS

ENGINE ADJUSTMENTS

Carburetor:

Differences in fuel, temperature, altitude or load may require minor carburetor adjustment. Air cleaner and air cleaner cover must be assembled to carburetor before starting engine.

INITIAL ADJUSTMENT

- Gently turn NEEDLE VALVE (Fig. 26) clockwise until it just closes. Valve may be damaged by turning it inward too far.
- Next open NEEDLE VALVE 1-1/2 turns counterclock-

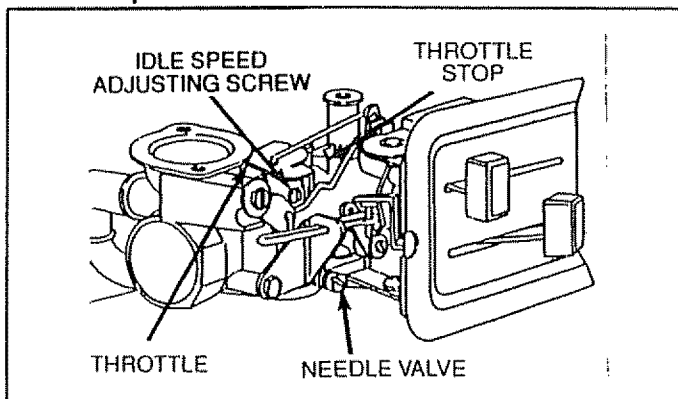


FIG. 26

wise.

- This initial adjustment will permit the engine to be started and warmed up.

FINAL ADJUSTMENT

- Start engine and let it warm up for at least five minutes.
- With engine running, turn NEEDLE VALVE inward (clockwise – lean mixture) until engine just starts to slow.

ENGINE SPEED



WARNING: NEVER TAMPER WITH ENGINE GOVERNOR WHICH IS FACTORY SET FOR PROPER ENGINE SPEED. OVERSPEEDING ENGINE ABOVE FACTORY HIGH SPEED SETTING CAN BE DANGEROUS.

NOZZLE MAINTENANCE

If the nozzle becomes restricted or clogged with foreign materials, such as dirt, excessive pump pressure may develop. A partially clogged nozzle can cause a pulsing sensation during use. This generally is not a pump related problem, but rather a clogged or partially restricted nozzle.

If the nozzle becomes clogged or partially restricted, immediately clean the nozzle with the kit included with your pressure washer by following these instructions:

- Shut off the engine and turn off the water supply.
- Separate the wand from the gun.
- Remove nozzle from the end of the wand using a 2mm or 5/64 allen wrench (like the one included in the kit).
- Use the wire included in the kit (Fig. 26 on Page 17) or a small paper clip to free the foreign materials clogging or restricting the nozzle.

SERVICE AND ADJUSTMENTS

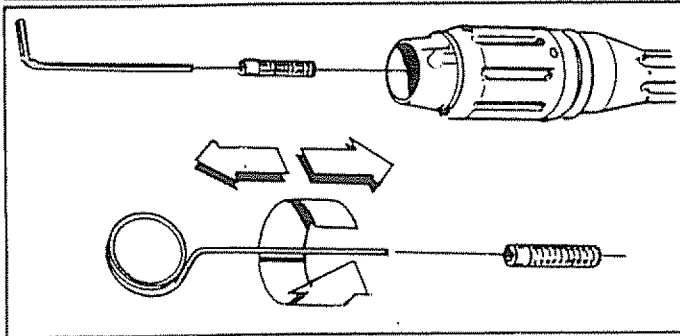


FIG. 26

- Remove additional debris by back flushing water supply through wand. Back flush between 30 to 60 seconds. Turn wand to stream spray and move nozzle from low to high while flushing.
- Reinstall nozzle into the wand. DO NOT overtighten.
- Reconnect the wand to the gun
- Reconnect the water supply, turn on the water, and start the engine.
- Test the pressure washer by operating with nozzle in the high and in the low position.

STORAGE

AFTER EACH USE

Water should not remain in the unit for long periods of time. Sediments of minerals can deposit on pump parts and "freeze" pump action. Follow these procedures after every use:

- Flush detergent hose by placing the injector filter into a pail of clear water while running Pressure Washer with nozzle in low pressure mode. Flush for five minutes.
- Shut off the engine and let it cool, then remove all hoses.

CAUTION: BE SURE THE THROTTLE LEVER IS IN "STOP" POSITION BEFORE YOU CONTINUE. IF YOU START THE ENGINE WITHOUT THE PROPER WATER SUPPLY CONNECTED, YOU CAN DAMAGE THE PUMP.

- Empty the pump of all pumped liquids by pulling recoil handle about 6 times. This should remove most of the liquid in the pump.
- Coil the high pressure hose and inspect it for damage. Cuts in the hose or fraying of it could result in leaks and loss of pressure. Should any damage be found, replace the hose. DO NOT attempt to repair a damaged hose and use it. Replace the hose with the genuine Craftsman part.
- Drain water from hose and properly hang it on the wire support provided on the guide handle.

NOTE: To protect the unit from freezing temperatures, you can draw windshield washer fluid into the pump by pouring the washer fluid into a 3-foot section of garden hose connected to the inlet adapter and pulling the recoil handle twice.

- Store in a clean, dry area.

LONG TERM STORAGE

WARNING: NEVER STORE ENGINE WITH FUEL IN TANK INDOORS OR IN ENCLOSED, POORLY VENTILATED AREAS WHERE FUMES MAY REACH AN OPEN FLAME, SPARK OR PILOT LIGHT AS ON A FURNACE, WATER HEATER, CLOTHES DRYER OR OTHER GAS APPLIANCE.

If you do not plan to use the Pressure Washer for more than 30 days, you must prepare the engine for long term storage.

NOTE: As always, prepare the pressure washer pump as you would after each use.

It is important to prevent gum deposits from forming in essential fuel system parts such as the carburetor, fuel filter, fuel hose or tank during storage. Also, experience indicates that alcohol-blended fuels (called "gasohol" or using ethanol or methanol) can attract moisture which leads to separation and formation of acids during storage. Acidic gas can damage the fuel system of an engine while in storage.

To avoid engine problems, the fuel system should be emptied before storage of 30 days or longer. Follow these instructions:

Protect Fuel System: Engines stored over 30 days need to be protected or drained of fuel to prevent gum deposits from forming in fuel system or on essential carburetor parts.

- For engine protection use a fuel stabilizer (such as STA-BIL[®]). Mix stabilizer with fuel in fuel tank and run engine for short time to circulate stabilizer through carburetor.
- If you did use "gasohol", run engine until engine stops from lack of fuel. Make sure you have water supply to pump inlet connected and turned ON.

Change Oil: While engine is still warm, drain oil from crankcase. Refill with recommended grade.

Oil Cylinder Bore: Remove spark plug and pour about 1/2 ounce (15ml) of engine oil into the cylinder. Cover spark plug hole with rag. Crank slowly to distribute oil.

CAUTION! AVOID SPRAY FROM SPARK PLUG HOLE WHEN CRANKING ENGINE SLOWLY.

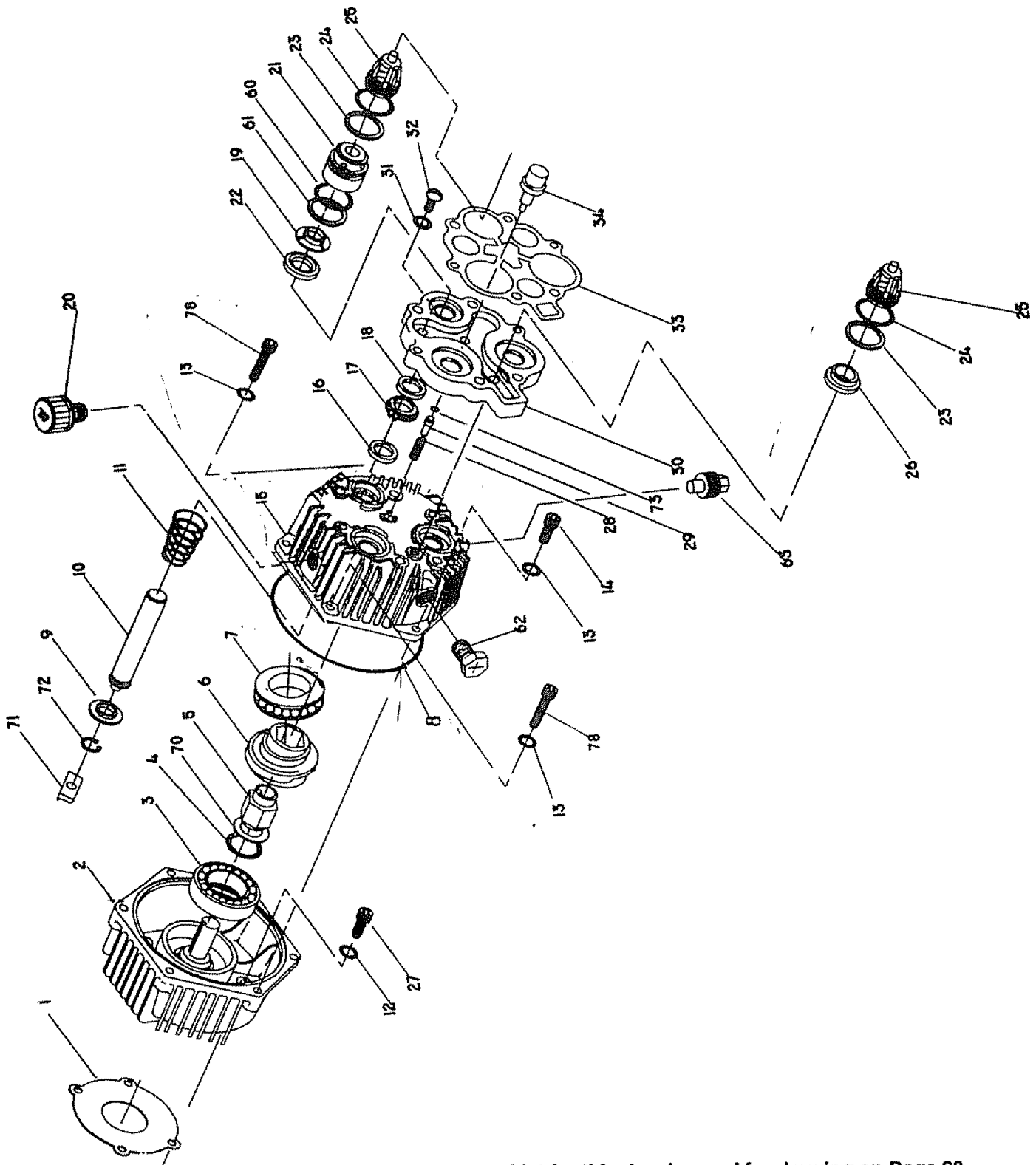
- Install spark plug. Do not connect spark plug wire.

OTHER

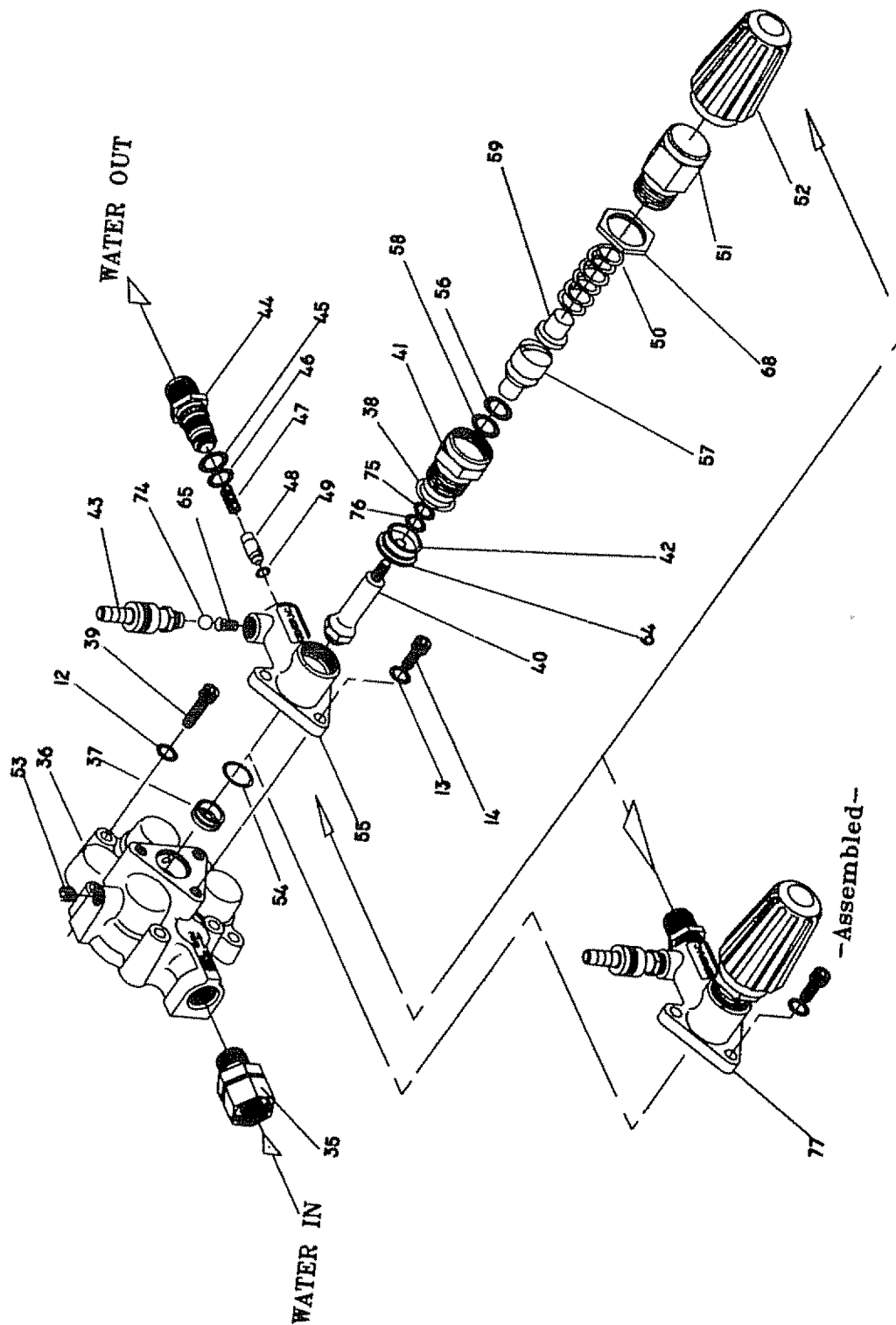
- Do not store gasoline from one season to another.
- Replace your gasoline can if your can starts to rust. Rust and/or dirt in your gasoline will cause problems.
- If possible, store your unit indoors and cover it to give protection from dust and dirt.
- Cover your unit with a suitable protective cover that does not retain moisture.

TROUBLESHOOTING

PROBLEM	CAUSE	CORRECTION
Pump has following problems: failure to produce pressure, erratic pressure, chattering, loss of pressure, low water volume.	<ol style="list-style-type: none"> 1. Nozzle in low pressure mode. 2. Low regulator pressure 3. Water inlet is blocked. 4. Inadequate water supply 5. Inlet hose is kinked or leaking 6. Clogged inlet hose strainer. 7. Detergent line is not submerged. 8. Water supply is over 140°F. 9. Outlet hose is blocked or leaks. 10. Gun leaks. 11. Nozzle is obstructed. 12. Pump is faulty. 	<ol style="list-style-type: none"> 1. Pull nozzle backward for high pressure mode. 2. Adjust regulator to desired setting. 3. Clear Inlet 4. Provide adequate water flow. 5. Straighten inlet hose, patch leak. 6. Check and clean inlet hose strainer. 7. Submerge detergent line. 8. Provide cooler water supply. 9. Clear blocks in outlet hose. 10. Replace gun. 11. Clear nozzle. 12. Contact Sears Service Department.
Detergent fails to mix with spray.	<ol style="list-style-type: none"> 1. Detergent line is not submerged. 2. Chemical filter is clogged. 3. Nozzle is in high pressure mode. 	<ol style="list-style-type: none"> 1. Insert chemical line into detergent. 2. Clean or replace filter/detergent line. 3. Push nozzle forward for low pressure mode.
Engine runs good at no-load but "bogs	Engine speed is too slow.	Contact Sears Service Department.
Engine will not start; or starts and runs rough	<ol style="list-style-type: none"> 1. Low oil level 2. Dirty air cleaner 3. Out of gasoline. 4. Stale gasoline. 5. Spark plug wire not connected to spark plug 6. Bad spark plug. 7. Water in gasoline. 8. Overchoking. 9. Excessively rich fuel mixture. 10. Intake valve stuck open or closed. 11. Engine has lost compression. 	<ol style="list-style-type: none"> 1. Fill crankcase to proper level. 2. Clean or replace air cleaner. 3. Fill fuel tank. 4. Drain gas tank; fill with fresh fuel. 5. Connect wire to spark plug. 6. Replace spark plug. 7. Drain gas tank; fill with fresh fuel. 8. Open choke fully and crank engine. 9. Contact Sears Service Department. 10. Contact Sears Service Department. 11. Contact Sears Service Department.
Engine shuts down during operation	<ol style="list-style-type: none"> 1. Out of gasoline. 2. Low oil level. 	<ol style="list-style-type: none"> 1. Fill fuel tank. 2. Fill crankcase to proper level.
Engine lacks power.	Dirty air filter.	Replace air filter.
Engine "hunts" or falters.	Choke is opened too soon.	Move choke to halfway position until engine runs smoothly.



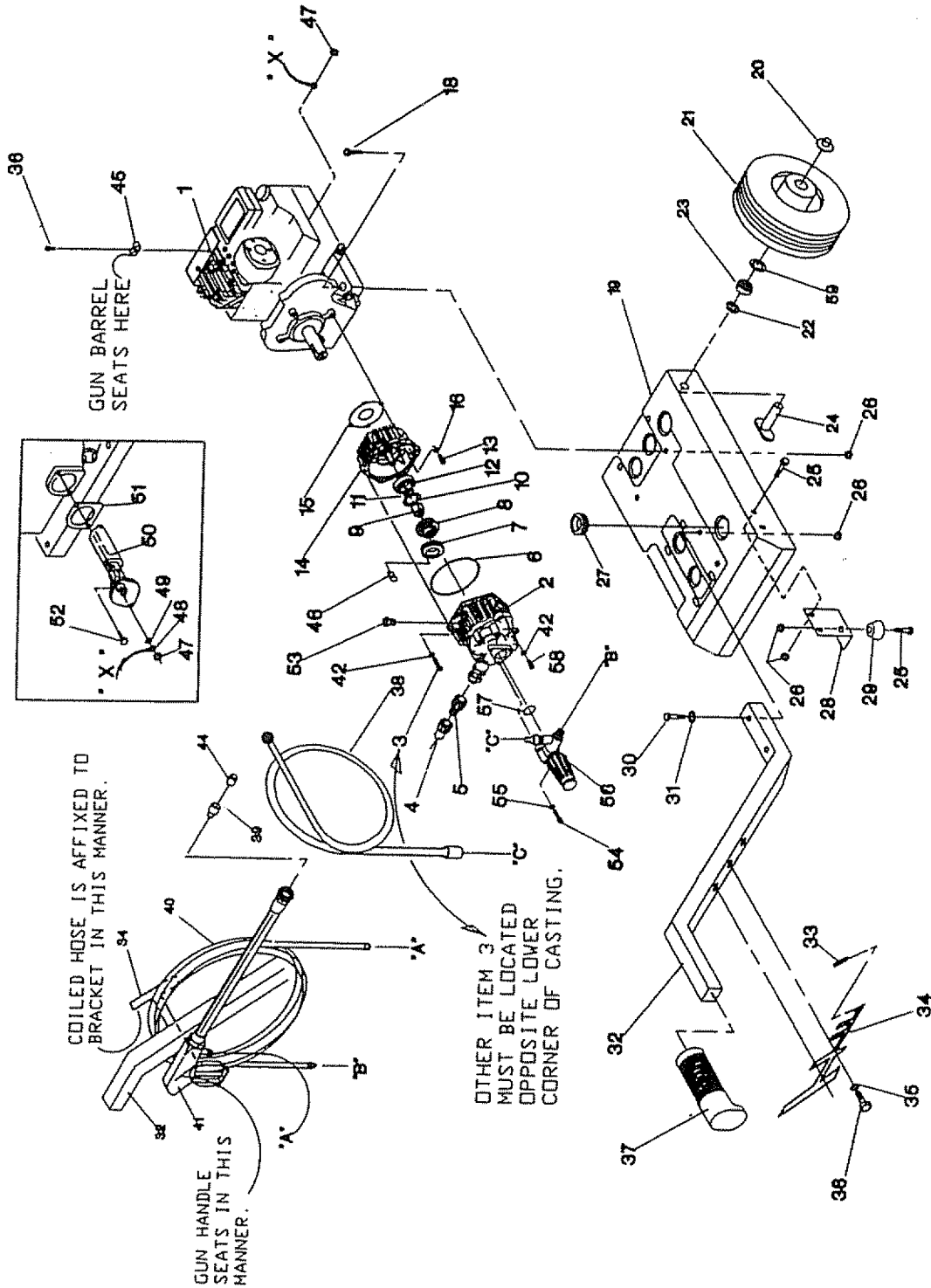
Parts List for this drawing and for drawing on Page 20 can be found on Page 21.



CRAFTSMAN 1800 PSI HIGH PRESSURE WASHER 580.751500

REPAIR PARTS

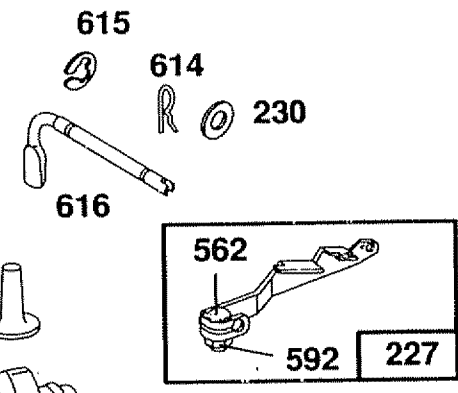
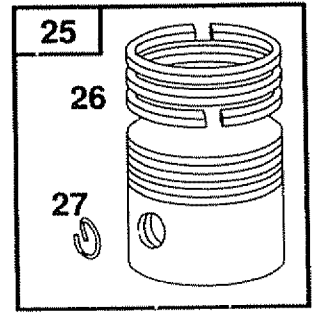
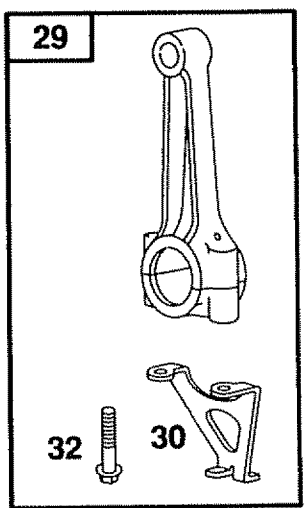
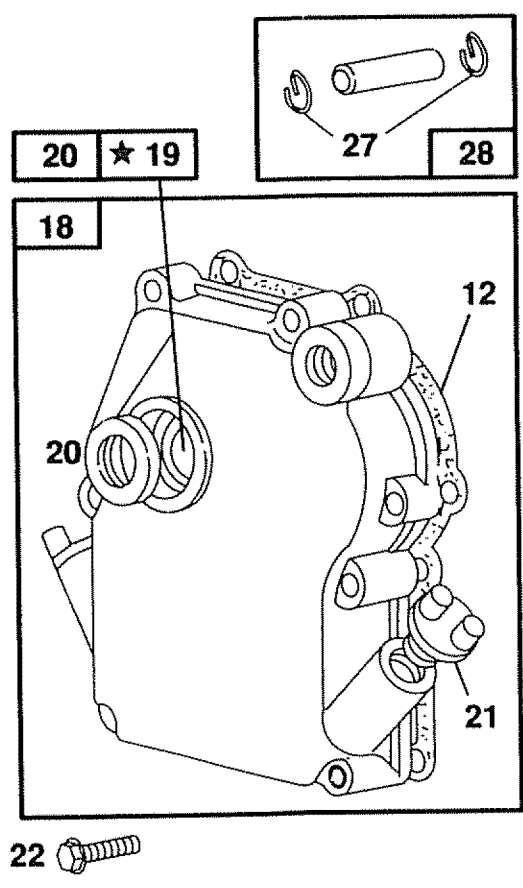
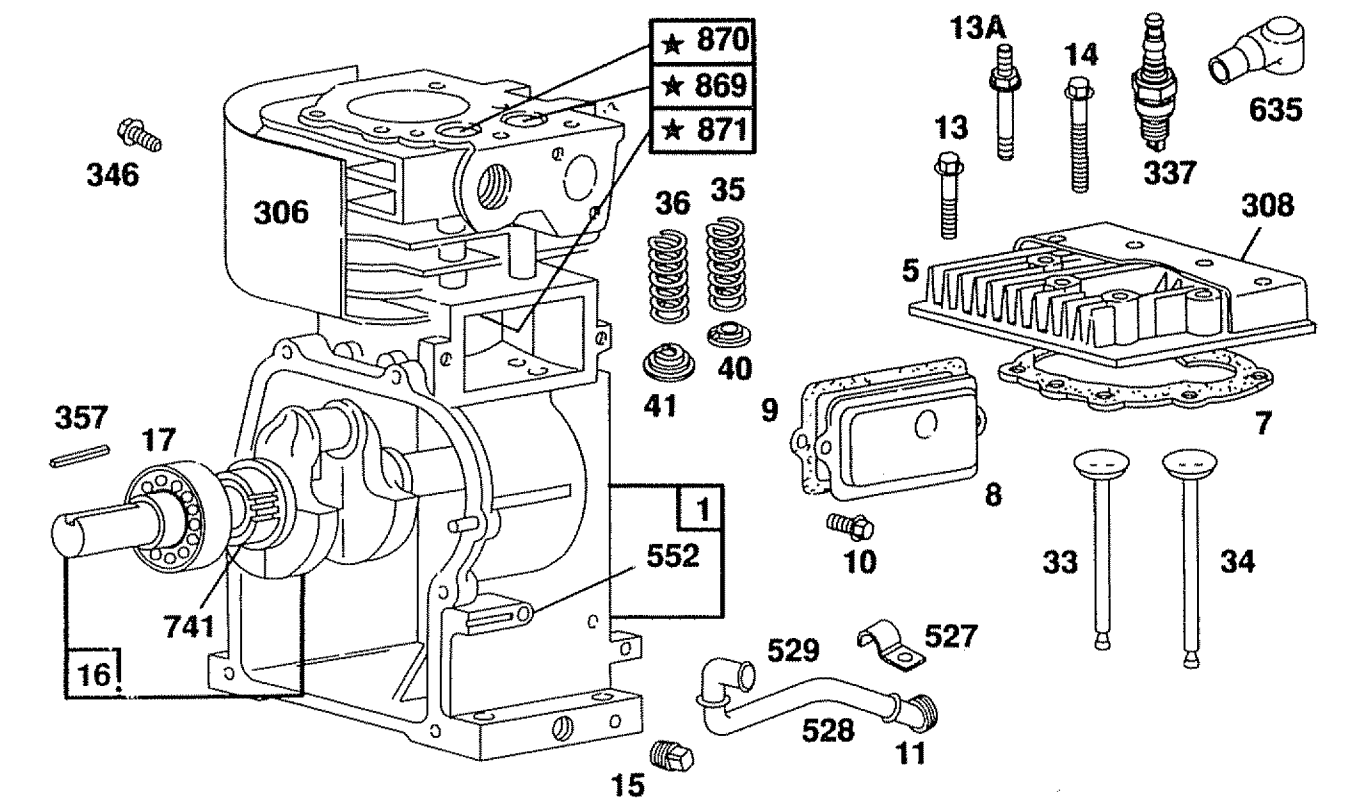
ITEM	PART NO.	DESCRIPTION	ITEM	PART NO.	DESCRIPTION
1	93871	Engine Adaptor Gasket (1 req.)	40	95373	Unloader Assembly Spindle (1 req.)
2	93869 93430C	Engine Adaptor (1 req.)	41	95367	Unloader Piston Guide (1 req.)
3	93869	Thrust Ball Bearing (1 req.)	42	95372	O-ring 1.78 x 14mm (1 req.)
4	95524	Washer Retainer (1 req.)	43	95378	Chemical Injector Fitting (1 req.)
5	95165	Engine Adaptor (1 req.)	44	95377	High Pressure Outlet Adaptor (1 req.)
6	95437	Axial Cam (1 req.)	45	93788	O-ring 1.78 x 12.4mm (1 req.)
7	93869	Thrust Roller Bearing (1 req.)	46	93787	O-ring 1.78 x 15.6mm (1 req.)
8	93790	114 x 119 x 2.6 O-ring (1 req.)	47	95376	Spring (1 req.)
9	95386	Piston Spring Retainer (3 req.)	48	95374	High Pressure Outlet Piston (1 req.)
10	95217	Piston, D15 S.S. (3 req.)	49	95375	O-ring, #2.4 x 4.3 (1 req.)
11	96400	Piston Return Spring (3 req.)	50	95365	Pressure Adjust Spring (1 req.)
12	92479	M8 Ribbed Lock Washer (10 req.)	51	95364-A	Pressure Adjust Adaptor with groove (1 req.)
13	93873	M6 Ribbed Lock Washer (9 req.)	52	95381-A	Pressure Adjust Handle [red] (1 req.)
14	40945	M6 x 1.0 x 20mm Capscrew (7 req.)	53	96137	1/8" NPT Pipe Plug (1 req.)
15	94404	Aluminun Crankcase (1 req.)	54	93723	"O" Ring 2.6 x 20.2 (1 req.)
16	93680	Piston Oil Seal (3 req.)	55	95216	Pressure Relief Valve Body (1 req.)
17	93668	Pilot Spacer (3 req.)	56	95369	Back-up O-ring 11 x 12.4 (1 req.)
18	93667	Seal (3 req.)	57	95368	Unloader Piston (1 req.)
19	96015	Bearing Ring Seal (3 req.)	58	95370	O-ring 1.78 x 7.65 (1 req.)
20	95454	Oil Fill/Breather (1 req.)	59	95363	Spring Support (1 req.)
21	95895	High Pressure Port Tower (3 req.)	60	96069	Quad-Ring 0.09 x 1.06" (3 req.)
22	96052	High Pressure Seal [black] (3 req.)	61	95506	Back-up Ring (3 req.)
23	95504	Back-up Ring (1 req.)	62	95453	Sight Gauge Assembly
24	95503	O-Ring 2.62 x 17.12mm (6 req.)	63	57163	3/8" NPT Magnetic Plug (1 req.)
25	96005	Valve Check Kit (6 req.)	64	95371	Piston Support (1 req.)
26	95896	Check Valve Seat Support (3 req.)	65	95380	Chemical Injector Spring (1 req.)
27	95531	5/16"-24 x 3/4" Bolt (4 req.)	66	94738	Belleville Washer (1 req.)
28	93652	Thermal By-pass Spring (1 req.)	68	95366	M18 x 1.0 Nut (1 req.)
29	95416	By-pass Piston (1 req.)	70	95434	Thrust Washer (1 req.)
30	94402	Spacer Plate (1 req.)	71	94944	Piston Pivot Shoe (1 req.)
31	93673	O-ring 4.5 x 8 x 1.8 (2 req.)	72	94284	"C" Ring Retainer (3 req.)
32	93678	M5-0.8 x 20 Truss Head Bolt (2 req.)	73	93876	O-Ring 1.78 x 2.9 (1 req.)
33	93645	Head Gasket (1 req.)	74	95379	Ball (1 req.)
34	93644	Thermal By-pass Actuator (1 req.)	75	93656	O-Ring 1.78 x 6.07 (1 req.)
35	95320	Garden Hose Connector (1 req.)	76	93657	Back-up Ring 1.24 x 6.7 (1 req.)
36	96525	Cylinder Head (1 req.)	77	95212-A	Unloader Assembly (1 req.)
37	95382	Spindle Seat (1 req.)	78	46580	M6-1.0 x 45mm Capscrew (2 req.)
38	93722	O-Ring, 1.78 x 17.2 (2 req.)			
39	93874	M8-1.25 x 75mm Capscrew (6 req.)			



ITEM	PART NO.	DESCRIPTION
1	95998	5 HP BRIGGS & STRATTON ENGINE (1 REQ.)
2	95319B	2.5 GPM PUMP (1 REQ.)
3	51767	M6-1.0 x 45mm CAPSCREW (2 REQ.)
4	96016	QUICK-CONNECT, FEMALE (1 REQ.)
5	95456	QUICK-CONNECT, MALE (1 REQ.)
6	93790	O-RING, 2.6 x 114 (1 REQ.)
7	93869	THRUST BEARING (1 REQ.)
8	95437	2.5 PGM AXIAL CAM (1 REQ.)
9	95435	ENGINE ADAPTOR SHAFT (1 REQ.)
10	95434	THRUST WASHER (1 REQ.)
11	95524	WASHER RETAINER (1 REQ.)
12	57108	BEARING (1 REQ.)
13	95531	5/16"-24 x 3/4" SOCKET HEAD BOLT (4 REQ.)
14	96430C	ENGINE ADAPTOR (1 REQ.)
15	93871	ENGINE ADAPTOR GASKET (1 REQ.)
16	92479	M8 RIBBED LOCK WASHER (4 REQ.)
18	39414	M8-1.25 x 35mm HEX HEAD CAPSCREW (4 REQ.)
19	95902	MOUNTING BASE (1 REQ.)
20	75402	1/2" dia. PUSH NUT (2 REQ.)
21	91094	2-1/4" x 8" WHEEL (2 REQ.)
22	22246	5/8" LOCK WASHER (2 REQ.)
23	25391	JAM NUT (2 REQ.)
24	93278	WHEEL AXLE (2 REQ.)
25	39253	M8-1.25 x 20mm HEX HEAD CAPSCREW (6 REQ.)
26	52858	M8-1.25 FLANGE NUT (12 REQ.)
27	92235	RUBBER GROMMET (1 REQ.)
28	91092	SUPPORT LEG (2 REQ.)
29	87841	SHOCK MOUNT (2 REQ.)
30	57821	M8-1.25 x 40mm HEX HEAD SCREW (2 REQ.)
31	50190	M8 x 25 FLAT WASHER (2 REQ.)
32	91093	GUIDE HANDLE (1 REQ.)
33	92067	VINYL CAP (1 REQ.)
34	95908	GUN AND HOSE HOLDER (1 REQ.)
35	96633	#10 FLAT WASHER (2 REQ.)
36	86292	#10 SELF-DRILLING SCREW (3 REQ.)
37	77584	HANDLE GRIP (1 REQ.)
38	96168	CHEMICAL INJECTOR HOSE (1 REQ.)
39	95587B	ADJUSTABLE NOZZLE (1 REQ.)
40	91630	3/8" I.D. x 25 FT. HOSE ASSEMBLY (1 REQ.)
41	95567	GUN AND WAND ASSEMBLY (1 REQ.)
42	93873	M6 RIBBED LOCK WASHER (6 REQ.)
44	92659	REPLACEMENT NOZZLE [RED] (1 REQ.)
45	65852	SPRING CLIP (1 REQ.)
46	94944	PISTON PIVOT SHOE (3 REQ.)
47	22471	#8-32 NU[low oil shut down assembly] (2 REQ.)
48	91842A	LOW OIL SHUTDOWN WIRE (1 REQ.)
49	23365	#8 SHAKEPROOF LOCKWASHER (1 REQ.)
50	88977	LOW OIL SHUTDOWN (1 REQ.)
51	91841	LOW OIL SHUTDOWN GASKET (1 REQ.)
52	24679	#10-32 x 3/4" TAPTITE SCREW (2 REQ.)
53	95454	OIL CAP/BREATHER (1 REQ.)
54	40945	M6-1.0 x 20mm SOCKET HEAD CAPSCREW (3 REQ.)
55	93873	M6 RIBBED LOCK WASHER (3 REQ.)
56	96581C	UNLOADER ASSEMBLY (1 REQ.)
57	93723	SPINDLE SEAT "O" RING (1 REQ.)
58	40945	M6-1.0 x 20mm SOCKET HEAD SCREW (4 REQ.)
59	49808	M12 FLAT WASHER (2 REQ.)

**CRAFTSMAN 1800 PSI HIGH PRESSURE WASHER 580.751500
BRIGGS & STRATTON 4-CYCLE ENGINE 133212-0159-01**

REPAIR PARTS

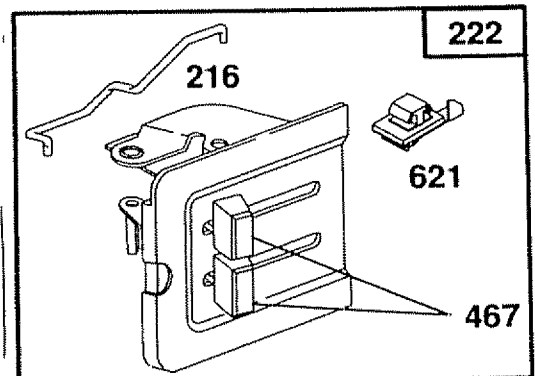
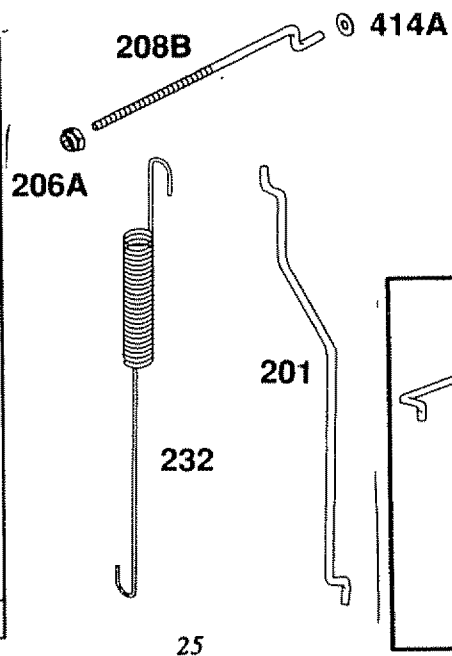
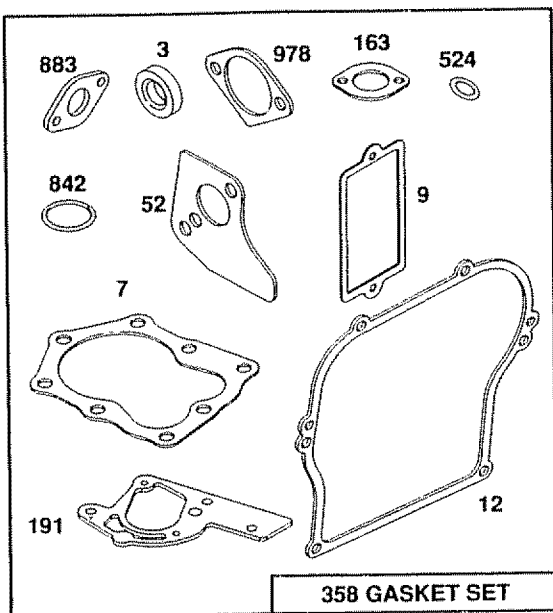
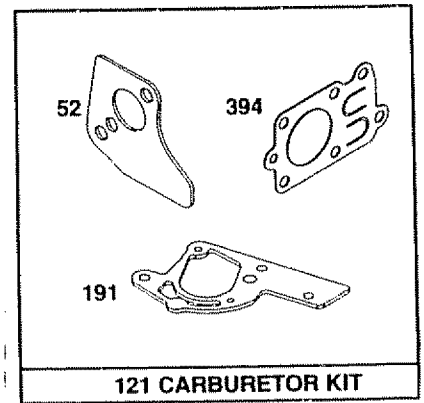
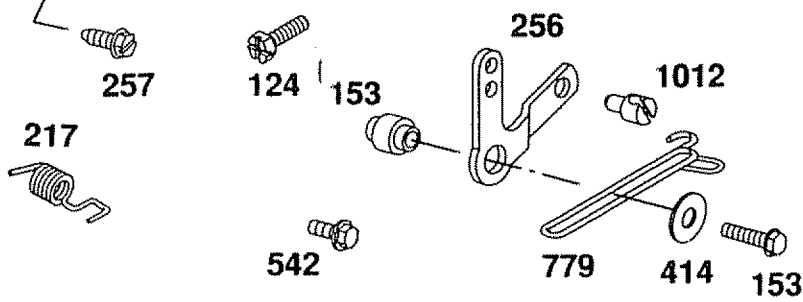
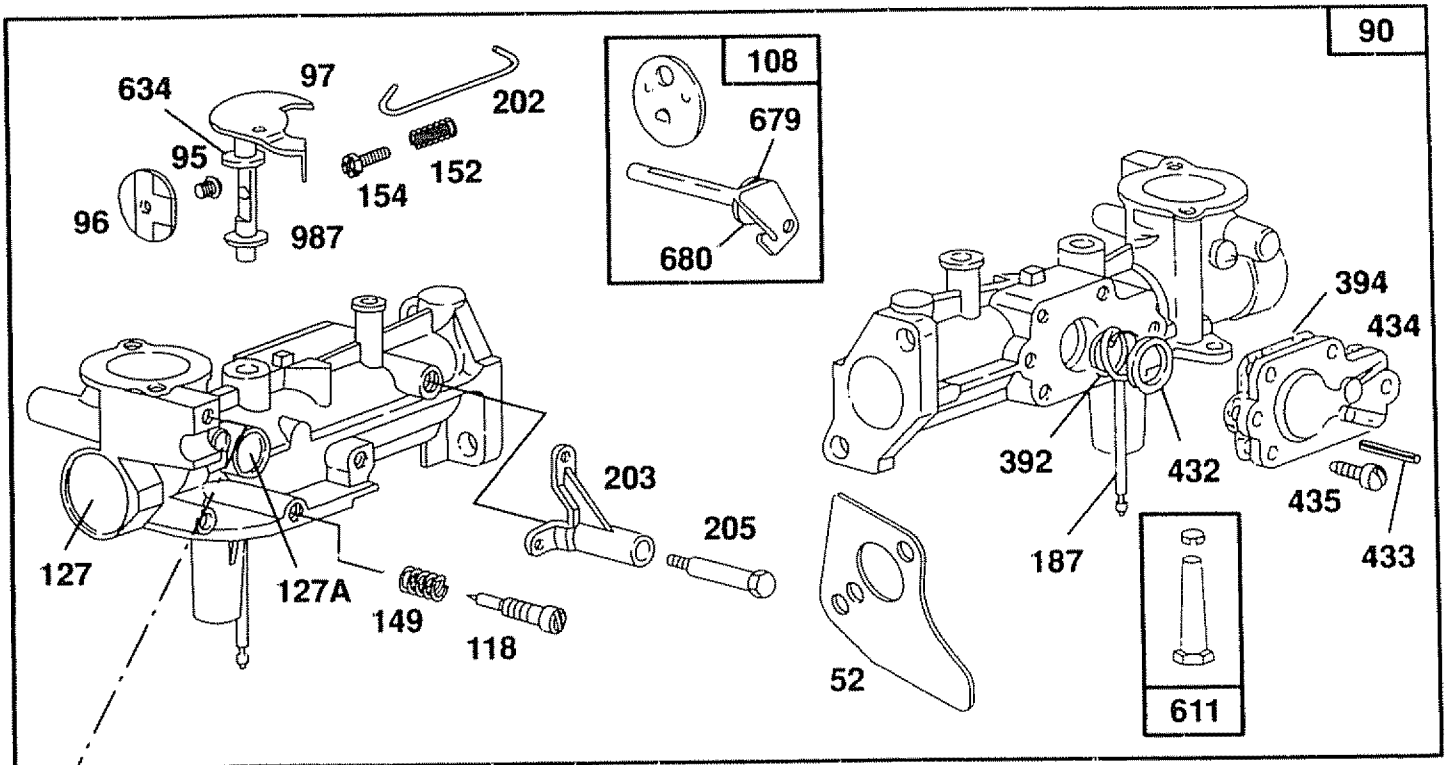


1019 LABEL KIT

★ REQUIRES SPECIAL TOOLS TO INSTALL. SEE REPAIR INSTRUCTION MANUAL.

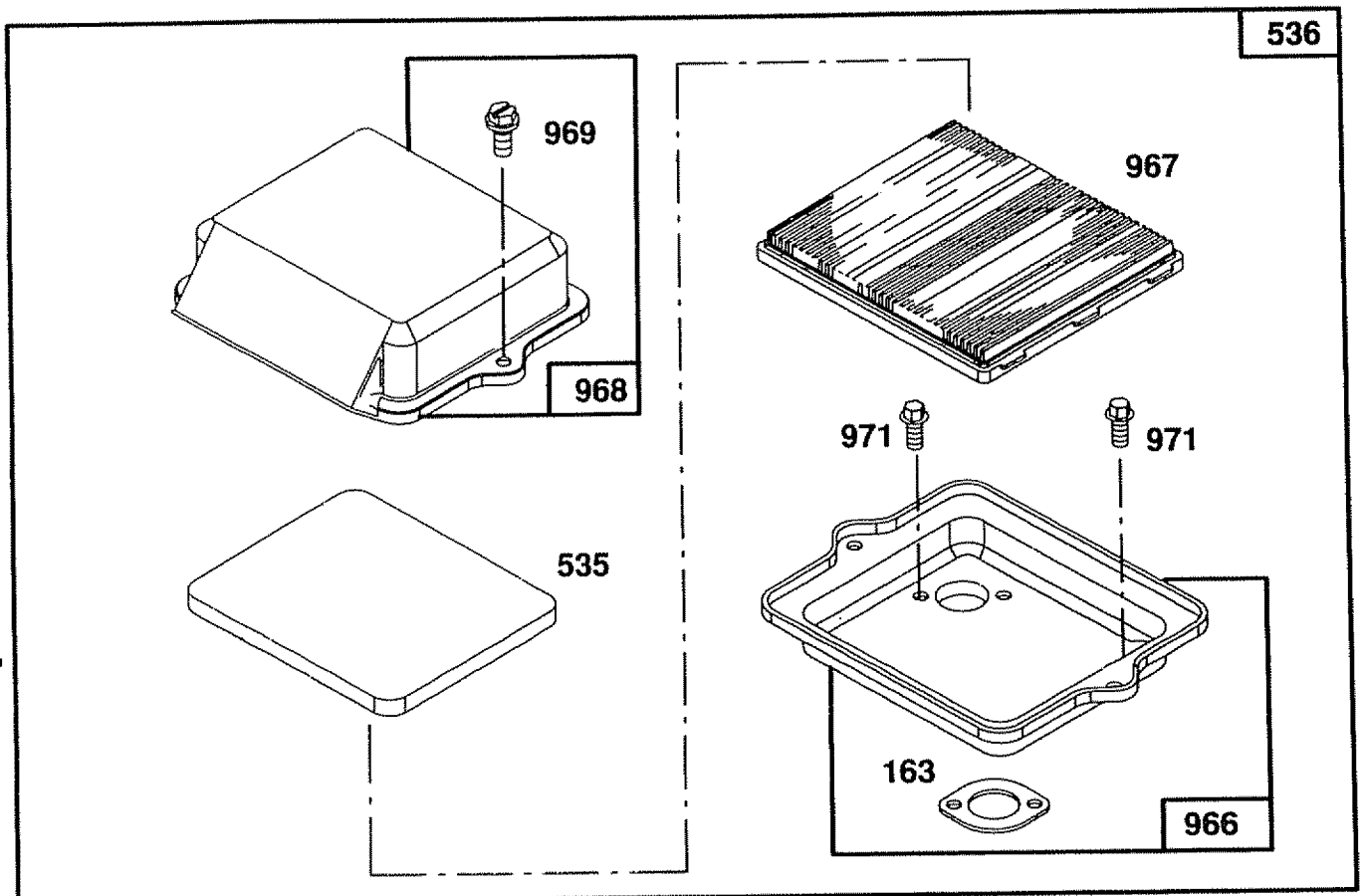
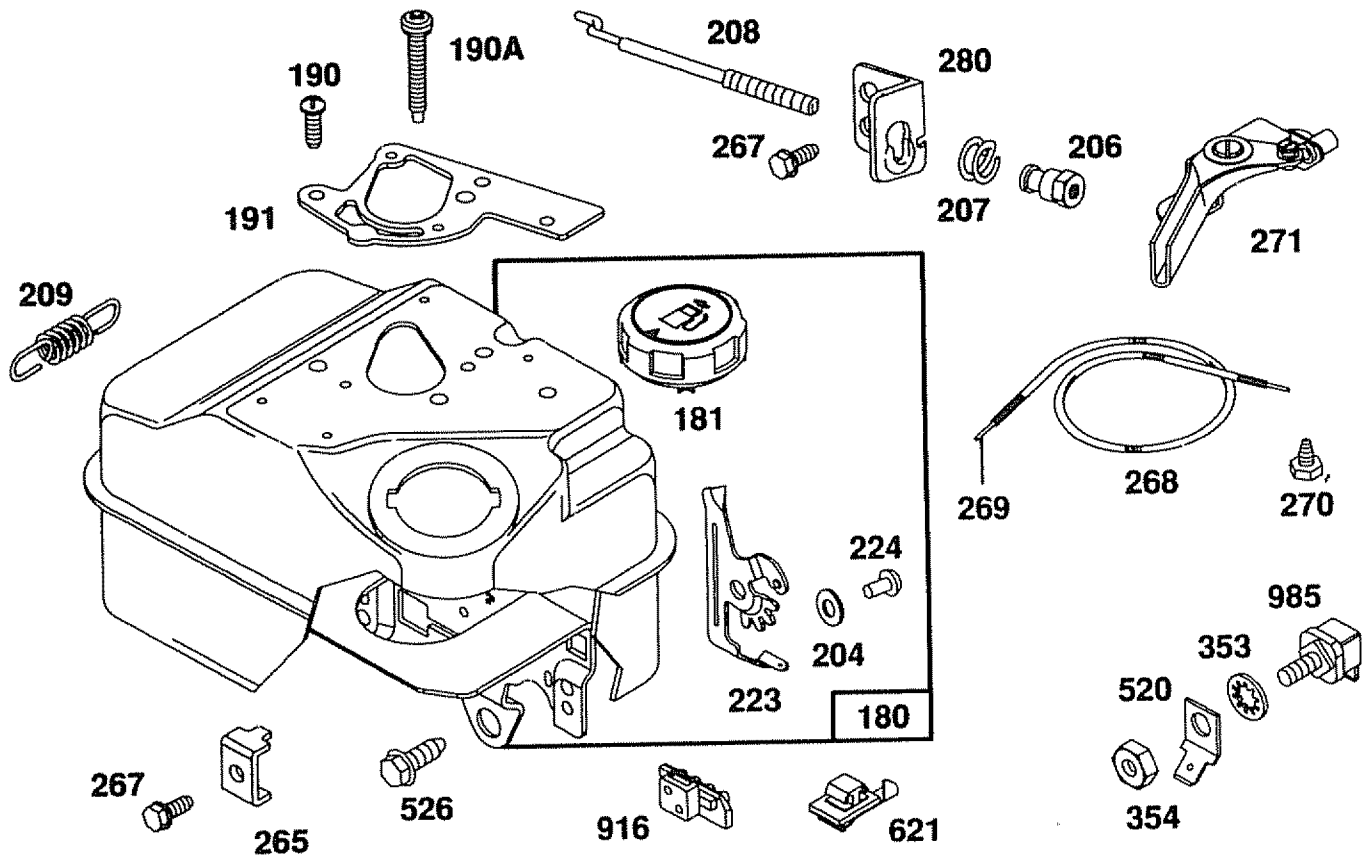
**CRAFTSMAN 1800 PSI HIGH PRESSURE WASHER 580.751500
BRIGGS & STRATTON 4-CYCLE ENGINE 133212-0159-01**

REPAIR PARTS



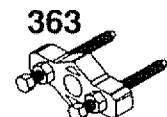
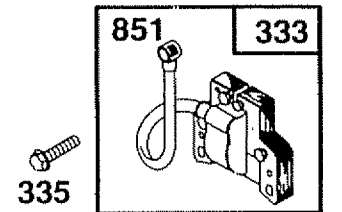
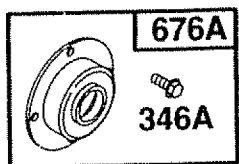
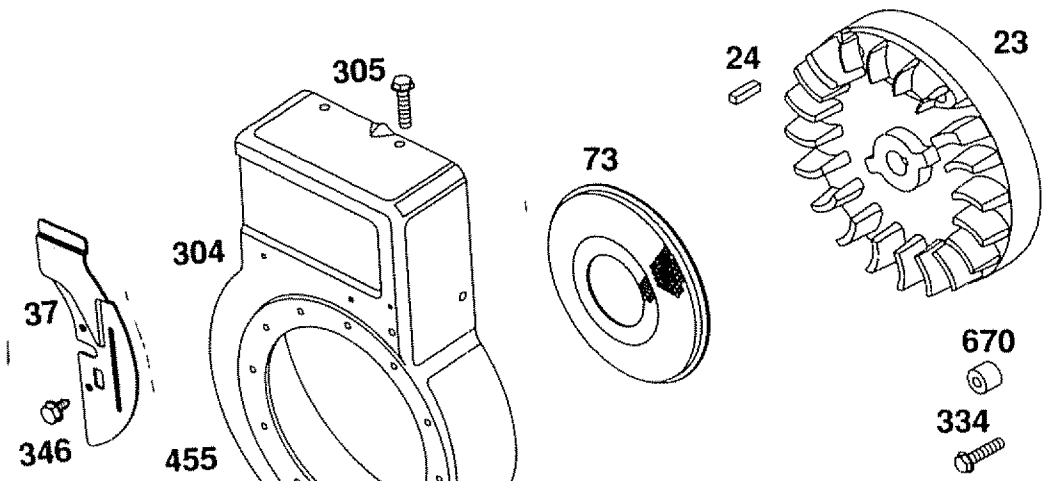
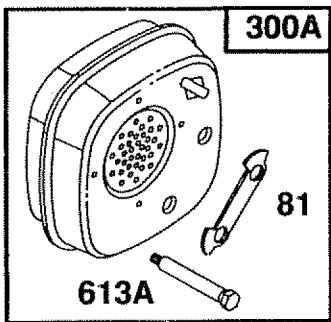
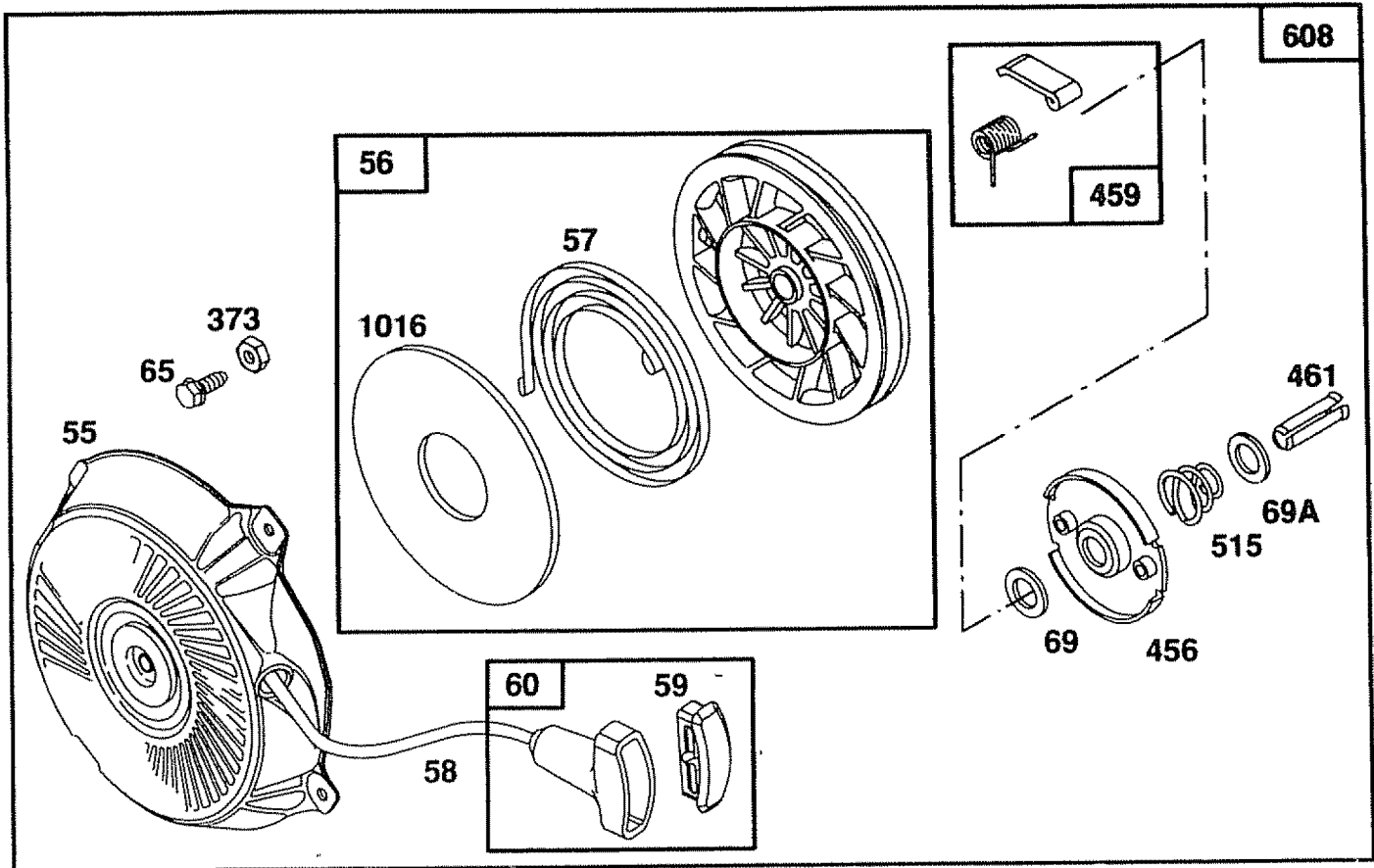
**CRAFTSMAN 1800 PSI HIGH PRESSURE WASHER 580.751500
BRIGGS & STRATTON 4-CYCLE ENGINE 133212-0159-01**

REPAIR PARTS



**CRAFTSMAN 1800 PSI HIGH PRESSURE WASHER 580.751500
BRIGGS & STRATTON 4-CYCLE ENGINE 133212-0159-01**

REPAIR PARTS



**CRAFTSMAN 1800 PSI HIGH PRESSURE WASHER 580.751500
BRIGGS & STRATTON 4-CYCLE ENGINE 133212-0159-01**

REPAIR PARTS

Ref. No.	Part No.	Part Name	Ref. No.	Part No.	Part Name
1	496133	Cylinder Assembly	163	*271935	Air Cleaner Mounting Gasket
3	*299819	Oil Seal	180	495405	Fuel Tank Assembly
5	214040	Cylinder Head	181	494559	Fuel Tank Cap
7	*272157	Cylinder Head Gasket	187	231068	Fuel Pipe
8	294178	Breather - Valve Chamber	190	94712	Screw - Sem
9	*27459	Valve Cover Gasket	190A	94677	Screw - Sem
10	94621	Screw - Breather Mounting Sem	191	‡272489	Fuel Tank Mounting Gasket
11	66578	Breather Tube Grommet	201	262280	Governor Link
12	*270080		202	262270	Throttle Link
13	94221	Cylinder Head Screw — 2-3/32"	203	280720	Bell Crank
13A	94733	Cylinder Head Stud	204	222962	Control Lever Bushing
14	94679	Cylinder Head Screw	205	231520	Shoulder Screw
15	94387	Oil Drain Plug (magnetic)	206	94081	Stop Nut
16	495645	Crankshaft	207	26855	Control Rod Spring
		NOTE: To replace crankshaft pin, order Part No. 230978	208	262323	Speed Control Rod
17	494874	Ball Bearing (PTO side)	209	262282	Governor Spring
18	495641	Crankcase Cover Assembly	216	262359	Choke Link
19	495660	Bushing — Oil Seal	217	262281	Choke Spring
20	*495307	Oil Seal	219	391737	Governor Gear
21	66768	Oil Filler Plug	220	221551	Thrust Washer
22	94682	Hex Head Screw	222	490649	Control Bracket
23	297229	Flywheel	223	223455	Governor Control Lever
24	222698	Flywheel Key	224	93491	Governor Control Lever Rivet
25	393819	Piston Assembly	227	490374	Governor Lever Assembly
26	399067	Ring Set	230	222450	Governor Lever Washer
27	26026	Piston Pin Lock	232	262310	Return Spring
28	296909	Piston Pin Assembly	256	223813	Bell Crank
29	299430	Connecting Rod Assembly	265	221535	Casing Clamp
30	221890	Connecting Rod Dipper	267	93496	Screw
32	94745	Connecting Rod Screw	268	66986	Control Wire Casing — 48" long If longer casing is needed, specify length in inches; if shorter casing is needed, order No. 66986 and cut to required length.
33	262464	Exhaust Valve			Control Wire
34	261044	Intake Valve	269	26099	Casing Locknut
35	260552	Intake Valve Spring	270	63426	Control Lever
36	262750	Exhaust Valve Spring	271	290568	Control Rod Bracket
37	222443	Flywheel Guard	280	223798	Exhaust Muffler.
40	93312	Valve Spring Retainer	300A	393615	Blower Housing
41	491442	Retainer Valve	304	495795	Blower Housing Mounting Screw
45	280642	Valve Tappet	305	94619	Cylinder Shield
46	212733	Cam Gear	306	224820	Cylinder Head Cover
52	* ‡271938	Carburetor Mounting Gasket	308	224738	Flywheel Nut
55	494846	Rewind Starting Housing	332	92284	Armature Assembly
56	493824	Rewind Starter Pulley	333	397358	Sem Screw
57	262594	Rewind Starter Spring	334	93613	Armature Mounting Screw
58	280406	Rewind Starter Rope (cut to length)	335	93414	Spark Plug — 1-7/8" high, 48mm
59	396892	Starter Handle Insert	337	492167	Screw
60	393152	Rewind Starter Handle	346	94680	Screw
65	94686	Housing Mounting Screw	346A	93705	Lock Washer
69	280973	Washer	353	92791	Hex Nut
69A	224322	Washer	354	90576	Ground Wire
73	224633	Rotating Screen	356	398808	Gasket Set
75	224061	Flywheel Washer	358	495603	Flywheel Puller
81	222263	Screw Lock	363	19069	Hex Nut
90	495426	Carburetor Assembly	373	92987	Diaphragm Spring
95	93499	Throttle-Valve-to-Shaft Screw	392	262328	Diaphragm
96	223793	Carburetor Throttle	394	‡272538	
97	490048	Throttle Shaft and Lever			
108	491177	Choke Valve Group			
118	231533	Needle Valve			
121	495606	Carburetor Kit			
124	94616	Hex Head Screw			
127	220352	Weich Plug			
127A	223789	Weich Plug (Mixing Chamber)			
149	26336	Needle Valve Spring			
152	260575	Throttle Adjustment Spring			
153	490589	Screw and Collar			
154	93527	Round Head Screw 5-40 x 5/8"			

* Included in Gasket Set — Part No. 495603

‡ Included in Carburetor Kit — Part No. 495606

**CRAFTSMAN 1800 PSI HIGH PRESSURE WASHER 580.751500
BRIGGS & STRATTON 4-CYCLE ENGINE 133212-0159-01**

REPAIR PARTS

Ref. No.	Part No.	Part Name	Ref. No.	Part No.	Part Name
414	220982	Washer	616	231077	Governor Crank (1/4" dia.)
414A	221198	Washer	621	396847	Stop Switch
432	221377	Spring Cap	634	271853	Throttle Shaft Washer (foam)
433	93265	Diaphragm Cover Pin	635	66538	Spark Plug Elbow
434	214021	Diaphragm Cover	655	222596	Anchor Spring
435	93141	Diaphragm Cover Screw	670	261065	Armature Spacer
455	494770	Flywheel Cup	676A	395700	Exhaust Deflector
456	224321	Retainer Spring	679	270632	Washer (foam)
459	492883	Ratchet Pawl	680	221839	Washer (brass)
461	262626	Spring Pin	741	261696	Timing Gear (plain bearing)
467	280715	Control Knob	851	221798	Ignition Cable Terminal
515	262625	Spring	869	211787	Intake Valve Seat
520	93722	Terminal	870	211436	Exhaust Valve Seat
526	94659	Sem Screw	871	262001	Exhaust Valve Guide
527	223786	Breather Tube Clamp	883	272309	*Muffler Gasket
528	231550	Breather Tube	916	280321	Governor Gear Rack
		NOTE: 231550 --- Breather Tube	966	492797	Air Cleaner Base
529	67838	Breather Tube Grommet	967	491588	Air Filter
535	491435	Air Filter	968	495357	Air Cleaner Cover
536	494279	Air Cleaner Assembly	969	490073	Cover Mounting Screw
542	93572	Screw	971	94018	Air Cleaner Screw
552	231079	Governor Crank Bushing	978	271738	*Cover Gasket
562	92613	Governor Lever Bolt	985	398525	Insulator
592	231082	No. 10-24 Hex Nut	987	398970	Throttle Shaft Seal
608	299406	Rewind Starter Assembly	1012	490507	Retainer Link
613A	93935	Hex Head Shoulder Screw	1016	490817	Spacer
614	93306	Hair Pin Cotter	1019	491100	Decal (label) Kit
615	93307	E-Ring Retainer			

FULL ONE YEAR WARRANTY ON CRAFTSMAN HIGH PRESSURE WASHER

For one year from the date of purchase, when this Craftsman High Pressure Washer is maintained and operated according to the instructions in the owner's manual, Sears will repair, free of charge, any defect in material and workmanship.

If this washer is used for commercial purposes, this warranty applies for only 90 days from the date of purchase.

If this high pressure washer is used for rental purposes, this warranty applies for only 30 days after date of purchase.

FULL TWO YEAR WARRANTY ON GASOLINE ENGINE

For two years from the date of purchase, when this gasoline engine is maintained and operated according to the instructions in the owner's manual, Sears will repair, free of charge, any defect in material and workmanship.

If this gasoline engine is used for commercial or rental purposes, this warranty applies for only one year after date of purchase.

If the Gasoline Engine is used for commercial or rental purposes, this warranty applies for only one year from the date of purchase.

This warranty does not cover:

- Expendable items such as spark plugs and air filters, which become worn during normal use.
- Repairs necessary because of operator abuse or negligence, including damage resulting from no water being supplied to pump or failure to maintain the equipment according to the instructions contained in the owner's manual.

WARRANTY SERVICE IS AVAILABLE BY RETURNING THE HIGH PRESSURE WASHER TO THE NEAREST SEARS SERVICE CENTER/DEPARTMENT THROUGHOUT THE UNITED STATES.

This warranty gives you specific legal rights and you may also have other rights, which vary from state to state.

SEARS, ROEBUCK AND CO., D/817 WA, Hoffman Estates, IL 60179

SEARS

OWNER'S MANUAL

MODEL NO.

580.751500

**IF YOU NEED
REPAIR SERVICE
OR PARTS**

FOR REPAIR SERVICE CALL
THIS TOLL FREE NUMBER
1-800-4•REPAIR

(1-800-473-7247)

FOR REPLACEMENT PARTS
INFORMATION AND ORDER-
ING, CALL THIS TOLL FREE
NUMBER:

1-800-FON-PART

(1-800-366-7278)

CRAFTSMAN®

5 HORSEPOWER

1800 PSI 2.5 GPM

HIGH PRESSURE WASHER

Each High Pressure Washer has its own model number. Each engine has its own model number.

The model number for your pressure washer will be found on a decal attached to the unit.

The model number for your engine will be found on the Blower Housing of the engine adjacent to the spark plug.

All parts listed herein may be ordered through Sears, Roebuck and Co. Service Centers and most Retail Stores.

WHEN ORDERING REPAIR PARTS, ALWAYS GIVE THE FOLLOWING INFORMATION:

- **PRODUCT — HIGH PRESSURE WASHER**
- **MODEL NUMBER — 580.751500**
- **ENGINE MODEL NO. — 133212-0159-01**
- **PART NUMBER**
- **PART DESCRIPTION**

Your Sears merchandise has added value when you consider that Sears has service units nationwide staffed with Sears trained technicians....professional technicians specifically trained on Sears products, having the parts, tools and the equipment to ensure that we meet our pledge to you, we service what we sell.

SEARS, ROEBUCK and CO., Hoffman Estates, IL 60179 U.S.A.

SEARS

MANUAL DEL
PROPIETARIO

MODELO NO.

580.751500

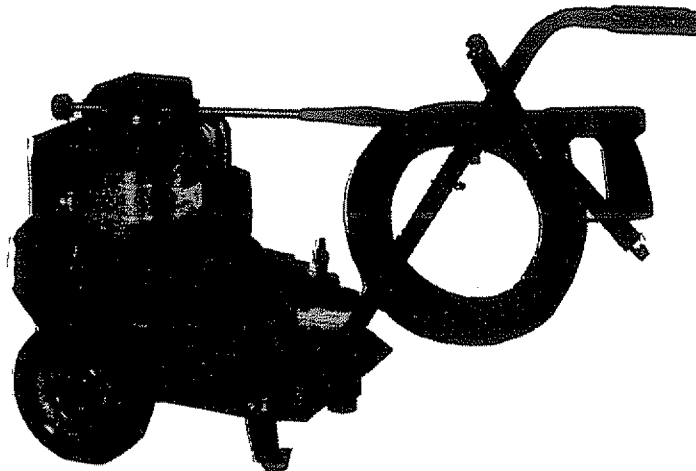
LINEA DE AYUDA AL
CLIENTE PARA A LA
MAQUINA LAVADORA A
PRESION 1-800-222-3136

HORAS:

Lun. - Vie. 8 a.m. a 5 p.m
(TCE)

PRECAUCION:

Lea y Siga las Reglas de
Seguridad e Instrucciones
Antes de Operar Este
Equipo



CRAFTSMAN®

MAQUINA LAVADORA DE ALTA PRESION
DE 5 CABALLOS
DE FUERZA A 1800 PSI

- Ensamble
- Operación
- Responsabilidades del Cliente
- Servicio y Ajuste
- Partes de Recambio

SEARS, ROEBUCK and CO., Hoffman Estates, IL 60179 U.S.A.

REGLAS DE SEGURIDAD



PRECAUCION: SIEMPRE DESCONECTE EL CABLE DE LA BUJIA Y COLOQUELO DONDE NO PUEDA HACER CONTACTO CON LA BUJIA PARA EVITAR UN ENCENDIDO ACCIDENTAL CUANDO ESTE INSTALANDO, TRANSPORTANDO, AJUSTANDO O HACIENDO REPARACIONES EN SU MAQUINA LAVADORA DE ALTA PRESION.



ENTRENAMIENTO:

- Los gases de escape del motor contienen gas de monóxido de carbón MORTAL. Si este gas peligroso se respira en una concentración suficiente puede causar pérdida de la conciencia o inclusive la muerte. Opere este equipo únicamente en áreas abiertas donde haya disponible ventilación adecuada.
- La gasolina es altamente INFLAMABLE y sus vapores son EXPLOSIVOS. No permita que se fume, llamas abiertas, chispas o calor en la cercanía cuando se manipula gasolina. Evite regar gasolina sobre un motor caliente. Permita que la unidad se enfríe por 2 minutos antes de volverla a cargar con combustible. Cumpla con todas las leyes de regulación de almacenamiento y manejo de gasolina.
- Ubique esta máquina lavadora a presión en áreas alejadas de materiales combustibles, vapores combustibles o polvo.
- El equipo de alta presión está diseñado para ser usado únicamente con las piezas autorizadas de Sears. El usuario asume todos los riesgos y responsabilidades si usted utiliza este equipo con piezas que no cumplan las especificaciones mínimas.
- Algunos químicos o detergentes pueden ser peligrosos si son inhalados o ingeridos, causando náusea severa, desmayo o envenenamiento. Los elementos peligrosos pueden causar daño a la propiedad o lesión severa.
- No permita que NIÑOS operen la Máquina Lavadora a Presión en ningún momento.

PREPARACION:

- Opere el motor únicamente en la velocidad de mando. El hacer funcionar el motor en velocidades excesivas aumenta el riesgo de lesión personal. No manipule las partes que puedan aumentar o disminuir la velocidad de mando.
- No use ropas sueltas, joyería o nada que pueda quedar atrapado en el arranque o en otras piezas en rotación.
- Antes de encender la Máquina Lavadora a Presión en clima frío revise todas las piezas del equipo y asegúrese que no se ha formado hielo en ellas.
- Las unidades con piezas dañadas o perdidas, o sin la caja o cubiertas de protección NUNCA deben ser operadas.
- El silenciador y el depurador de aire deben estar instalados y en buenas condiciones antes de operara la Máquina Lavadora a Presión. Estos componentes actúan como recolectores de chispas si el motor produce fuego de retroceso.
- Revise si el sistema de combustible tiene fugas o signos de deterioro como una manguera frágil o esponjosa, abrazaderas sueltas o inexistentes o tanque o tapa dañada. Corrija todos los defectos antes de operar la Máquina Lavadora a Presión.

OPERACION:

- No rocíe líquidos inflamables.
- Nunca dirija la pistola de rociado a personas, animales o plantas.
- Nunca permita que alguna parte del cuerpo entre en contacto con la corriente del fluido. NO entre en contacto con un corriente de fluido creada por una fuga en la manguera de alta presión.
- La corriente de alta presión de fluido que este equipo puede producir puede penetrar la piel y sus tejidos subyacentes, llevando a lesión seria y posible amputación.

- El rociado de alta presión puede causar que partículas de pintura u otras partículas sean aerotransportadas y que vuelen a altas velocidades.
- Siempre use protección ocular cuando utilice este equipo o cuando está cerca de donde el equipo está siendo utilizado.
- Opere la presión en un valor que no sea mayor que la presión de fluido en PSI clasificada para su máquina lavadora a presión.
- Nunca mueva la máquina tirando de la manguera de alta presión. Utilice la manija colocada en la parte superior de la unidad.
- Siempre este seguro que la pistola de rociado, embocaduras y accesorios estén conectados correctamente.
- Nunca utilice una pistola de rociado que no tenga un seguro de gatillo o un protector de gatillo en posición y funcionando adecuadamente.
- Use un respirador o una máscara siempre que exista el riesgo de que puedan ser inhalados vapores. Lea todas las instrucciones de la máscara de manera que esté seguro que la máscara le proporcionará la protección necesaria contra la inhalación de vapores peligrosos.
- El rociado de alta presión puede dañar elementos frágiles, incluyendo vidrio. No apunte la pistola de rociado hacia el vidrio cuando esté en el modo de rociado a chorro.
- Mantenga la manguera conectada a la máquina o a la pistola de rociado cuando el sistema esté presurizado. El desconectar la manguera mientras la unidad está presurizada es peligroso.
- Sostenga firmemente la pistola de rociado en su mano antes de encender la unidad. Si no lo hace podría ocurrir una lesión debido al movimiento incontrolado de la pistola de rociado. No deje la pistola de rociado sin atención mientras la máquina está funcionando.
- El área de limpieza debe tener inclinaciones y drenajes adecuados para reducir la posibilidad de una caída debido a las superficies resbalosas.
- Mantenga el rociado del agua alejado del alambreado eléctrico o puede ocurrir una descarga eléctrica fatal.
- No ajuste la válvula reguladora en una presión excesiva con respecto a la clasificación de la máquina.
- No asegure el gatillo de la pistola en la posición posterior (abierto).
- No evite ningún dispositivo de seguridad de la máquina.
- No deje la pistola en la posición de cerrado por más de 5 minutos con el motor en funcionamiento. Esto podría dañar la bomba.
- El motor y el silenciador se calientan durante la operación y permanecen calientes inmediatamente después del apagado. Evite el contacto con el silenciador o el motor caliente o podría resultar quemado severamente.

MANTENIMIENTO Y ALMACENAMIENTO:

- Opere y almacene esta unidad sobre una superficie estable.
- La manguera de alta presión puede desarrollar fugas debido al desgaste, doblamiento, abuso, etc. El rociado de agua de una fuga es capaz de hacer penetrar materiales dentro de la piel. Siempre inspeccione la manguera antes de usarla. Revise todas las mangueras para ver si existen cortes, fugas, abrasiones o abultamiento de la cubierta, o daño o movimiento de los acoples. Si existe cualquiera de estas condiciones reemplace la manguera inmediatamente. Nunca repare la manguera de alta presión. Reemplácela con otra manguera que reúna la clasificación de alta presión de su máquina lavadora a presión.



BUSQUE ESTE SIMBOLO PARA UBICAR IMPORTANTES PRECAUCIONES DE SEGURIDAD. ESTO SIGNIFICA "¡ATENCIÓN!!! ¡ESTE ALERTA!!! SU SEGURIDAD ESTA EN PELIGRO."

FELICITACIONES por la compra de su máquina lavadora de alta presión Sears Craftsman. Esta ha sido diseñada, proyectada y fabricada para darle la mejor confiabilidad y rendimiento posible.

Si usted experimenta cualquier problema que no pueda resolver con facilidad, por favor póngase en contacto con su Centro/Departamento de Servicio Sears o llame al número 1- 800 indicado en la cubierta de este manual. Tenemos técnicos competentes y bien entrenados y las herramientas apropiadas para darle servicio y reparar esta unidad.

Por favor lea y conserve este manual. Las instrucciones harán que usted ensamble y mantenga su máquina lavadora de alta presión apropiadamente. Siempre siga las "REGLAS DE SEGURIDAD".

ESPECIFICACIONES DEL PRODUCTO

Especificaciones de la Máquina Lavadora a Presión

PRESION DE SALIDA	1800 psi
VELOCIDAD DEL FLUJO	2.5 gpM
MEZCLA DE DETERGENTE	Use detergente sin diluir
TEMPERATURA DEL SUMINISTRO DE AGUA	No exceder de 140°F
FALTURA DE SUCCION	3 Pies máximo

Especificaciones del Motor

CABALLOS DE FUERZA CLASIFICADO	5 HP
DESPLAZAMIENTO	12.6 pulgadas cúbica
BUJIA: Tipo: Espacio Total	Champion RCJ8 o su equivalente 0.030 pulgadas (0.76mm)
CAPACIDAD DE GASOLINA	2 Cuartos U.S.
ACEITE (capacidad de 20 oz.)	Peso SAE 30
ESPACIO DE AIRE DE IGNICION	0.0125 pulgadas

MODELO	
NUMERO	580.751500
NUMERO DE SERIE	_____
FECHA DE COMPRA	_____
<p>LOS NUMEROS DEL MODELO Y SERIE SERAN ENCONTRADOS EN LA CALCOMANIA PEGADA A LA MAQUINA LAVADORA DE PRESION. USTED DEBE REGISTRAR EL NUMERO DE SERIE Y LA FECHA DE COMPRA Y MANTERLOS EN UN LUGAR SEGURO PARA FUTURAS REFERENCIAS.</p>	

En el Estado de California es exigido un apagachispas por la ley (Sección 4442 del Código de Recursos Públicos de California). Otros estados pueden tener leyes similares. Las leyes federales se aplican en tierras federales.

NOTA: Si usted equipa el motor de su máquina lavadora a presión con un silenciador apagachispas, el apagachispas debe ser mantenido en funcionamiento efectivo ordenado por el propietario/operador. Usted puede ordenar el apagachispas a través de su Centro de Servicio Sears. Vea la sección de Partes de Reparación del motor para los números de las partes.

ACUERDO DE MANTENIMIENTO

Un Acuerdo de Mantenimiento de Sears está disponible en este producto. Póngase en contacto con su tienda de Sears más cercana para detalles.

RESPONSABILIDADES DEL CLIENTE

- Lea y siga las reglas de seguridad.
- Siga la programación regular en el mantenimiento, cuidado y uso de su máquina lavadora de alta presión.
- Sigas las instrucciones enlistadas bajo las secciones de "Responsabilidades del Cliente" y "Almacenamiento" de este Manual del Propietario.

TABLA DE CONTENIDOS

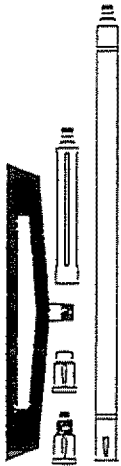
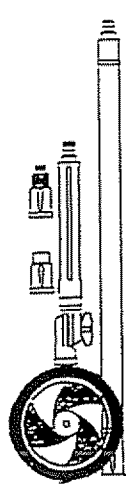




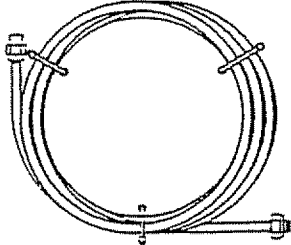
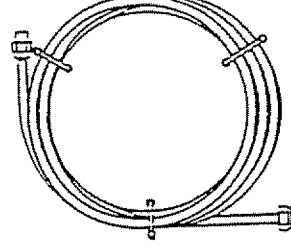
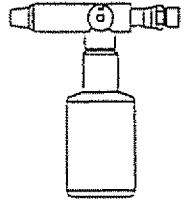
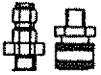

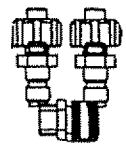

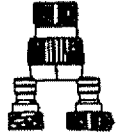

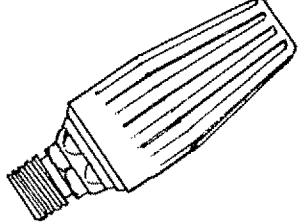
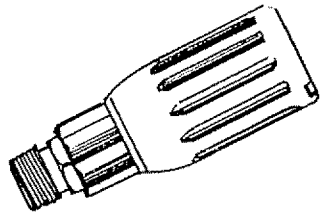
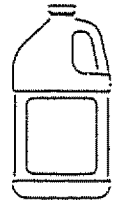
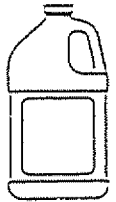
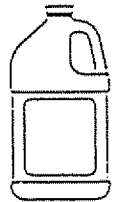
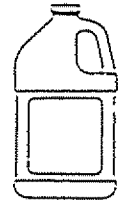
REGLAS DE SEGURIDAD	2	RESPONSABILIDADES DEL CLIENTE	14-15
ESPECIFICACIONES DEL PRODUCT	3	SERVICIO Y AJUSTES	16
GARANTIA	3	ALMACENAMIENTO	17
ACCESORIOS Y CONEXIONES	5	DIAGNOSTICO DE AVERIAS	18
CONTENIDO DEL PAQUETE DE HERRAJES	6	PARTES DE REEMPLAZO INDICE	19-28
ENSAMBLE	6-8	GARANTIE	29
OPERACION	9-14		

INDICE

<p style="text-align: center;">- A -</p> <p>Accesorios 5</p> <p>Aceite del Motor 12</p> <p style="padding-left: 20px;">Almacenamiento 17</p> <p style="padding-left: 20px;">Motor 17</p> <p>Bomba de la Máquina</p> <p style="padding-left: 20px;">Lavadora a Presión 16</p> <p>Antes del Encendido 12</p> <p style="text-align: center;">- C -</p> <p>Carburador 16</p> <p>Cerrojo de Seguridad</p> <p style="text-align: center;">- D -</p> <p>Depurador de Aire</p> <p>Diagnóstico de Averías 18</p> <p style="text-align: center;">- E -</p> <p>Embocaduras 10</p> <p>Chorro 11</p> <p>Ensamble 6-14</p> <p style="padding-left: 20px;">Lista de Revisión 8</p> <p style="padding-left: 20px;">Remoción de la Caja 7</p> <p style="padding-left: 20px;">Herramientas Necesarias 7</p> <p style="padding-left: 20px;">Instalación 7</p>	<p>Ensamble de Pistola y Vara ... 9</p> <p>Especificaciones 3</p> <p>Extracción 13</p> <p style="text-align: center;">- G -</p> <p>Garantía 29</p> <p style="text-align: center;">- M -</p> <p>Mantenimiento 2</p> <p style="padding-left: 20px;">Acuerdo 3</p> <p style="padding-left: 20px;">Motor 15</p> <p style="padding-left: 20px;">Máquina Lavadora a Presión ... 14</p> <p style="padding-left: 20px;">Bomba 14-16</p> <p style="padding-left: 20px;">Manguera de Alta Presión 14</p> <p style="text-align: center;">- O -</p> <p>Operación 2</p> <p style="padding-left: 20px;">Aplicación del Detergente 11</p> <p style="padding-left: 20px;">Conozca Su Máquina Lavadora a Presión 9</p> <p>Parado 10</p> <p style="padding-left: 20px;">Para Encender el Motor 13</p> <p style="padding-left: 20px;">Para Encender la Máquina Lavadora 12</p> <p>Otras Partes ... página posterior</p>	<p style="text-align: center;">- P -</p> <p>Paquete de Herrajes 5</p> <p>Partes para Ordenar 6</p> <p>Partes de Reemplazo ... -19-27</p> <p style="text-align: center;">R -</p> <p>Reglas de Seguridad 2</p> <p>Regulador de Presión 9</p> <p>Responsabilidades del Cliente 3,14</p> <p style="padding-left: 20px;">Cambio de Aceite 14</p> <p style="padding-left: 20px;">Revisión del Nivel de Aceite ... 14</p> <p style="padding-left: 20px;">Recomendaciones Generales ... 14</p> <p style="padding-left: 20px;">Máquina Lavadora a Presión ... 14</p> <p style="padding-left: 20px;">Reemplazo de la Bujía 14</p> <p style="padding-left: 20px;">Servicio del Depurador de Aire . 15</p> <p style="text-align: center;">- S -</p> <p>Sugerencias de Limpieza ... 13</p> <p style="text-align: center;">- V -</p> <p>Velocidad del Motor 16</p>
---	--	---

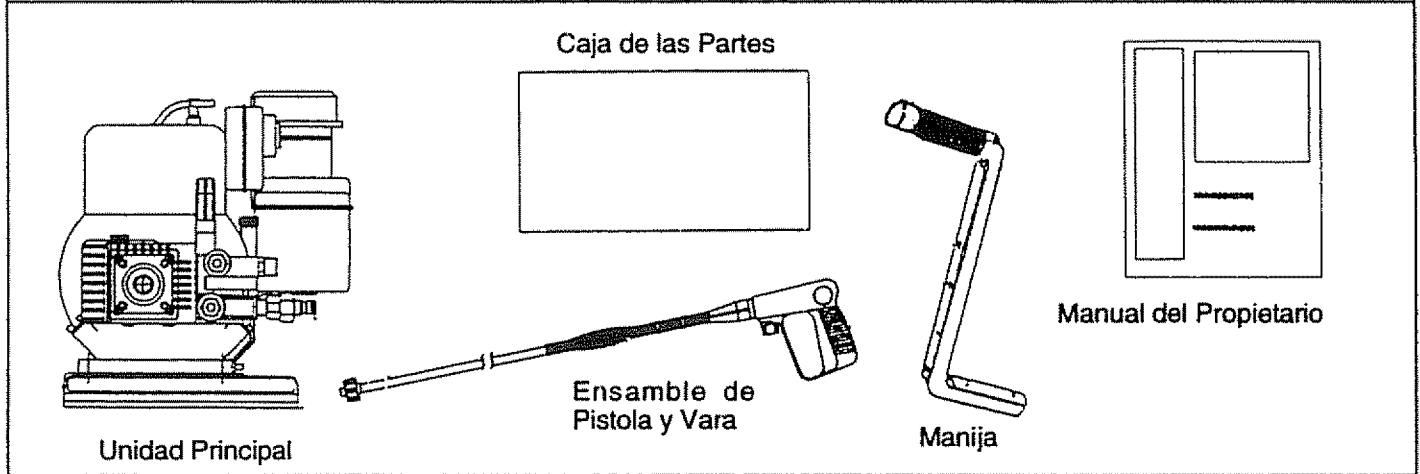
ACCESORIOS Y CONEXIONES

ACCESORIOS Y CONEXIONES Estos accesorios y conexiones estuvieron disponibles cuando fue comprada la máquina lavadora de alta presión. También están disponibles en la mayoría de puntos de venta al detal y centros de servicio de Sears. La mayoría de tiendas Sears pueden ordenar estos elementos para usted cuando proporcione el número de modelo de su máquina lavadora a presión. Es posible que algunos de estos accesorios no se apliquen a su máquina lavadora de presión.

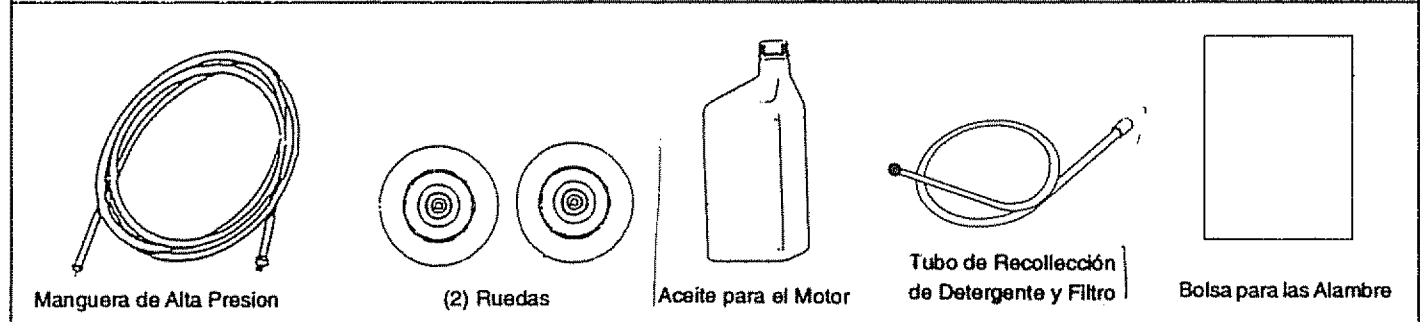
 <p>JUEGO DE CEPILLOS PARA PISO/PANELES</p>	 <p>JUEGO DE CEPILLOS GIRATORIOS</p>	 <p>JUEGO DE CEPILLOS DE SERVICIO</p>	 <p>EXTENSION DE ACERO INOXIABLE DE 18"</p>	 <p>EMBOCADURA ELECTRICA DE CHORRO</p>	 <p>JUEGO DE EXTENSION EN ANGULO</p>
 <p>MANGUERA DE EXTENSION DE 1/4" DE D.I. 25 pies</p>	 <p>MANGUERA DE EXTENSION DE 3/8" DE D.I. 50 pies</p>	 <p>DISPOSITIVO PARA INYECCION DEL QUIMICO</p>			
 <p>JUEGO DE CONEXION RAPIDA PARA LA MANGUERA DE ALTA PRESION</p>	 <p>CONEXION RAPIDA ACCESORIA</p>	 <p>JUEGO DE CONEXION RAPIDA ACCESORIA</p>	 <p>ACOPLE DE LA MANGUERA A LA MANGUERA DE ALTA PRESION</p>	 <p>CONEXION RAPIDA PARA LA MANGUERA DEL JARDIN CON 2 ADAPTADORES</p>	 <p>MEDIDOR DE PRESION</p>
 <p>EMBOCADURA PARA CHORRO - 1800 PSI</p>	 <p>EMBOCADURA PARA CHORRO 2200 y 250 PSI</p>	 <p>ENJUAGUE PARA CASA/MULTIPLE PROPOSITO</p>	 <p>ENJUAGUE PARA SUPERFICIES PLANAS</p>	 <p>ENJUAGUE PARA VEHICULO/BOTE</p>	 <p>DESENGRASADOR</p>

CONTENDIDO DE LA CAJA DE HERRAJE

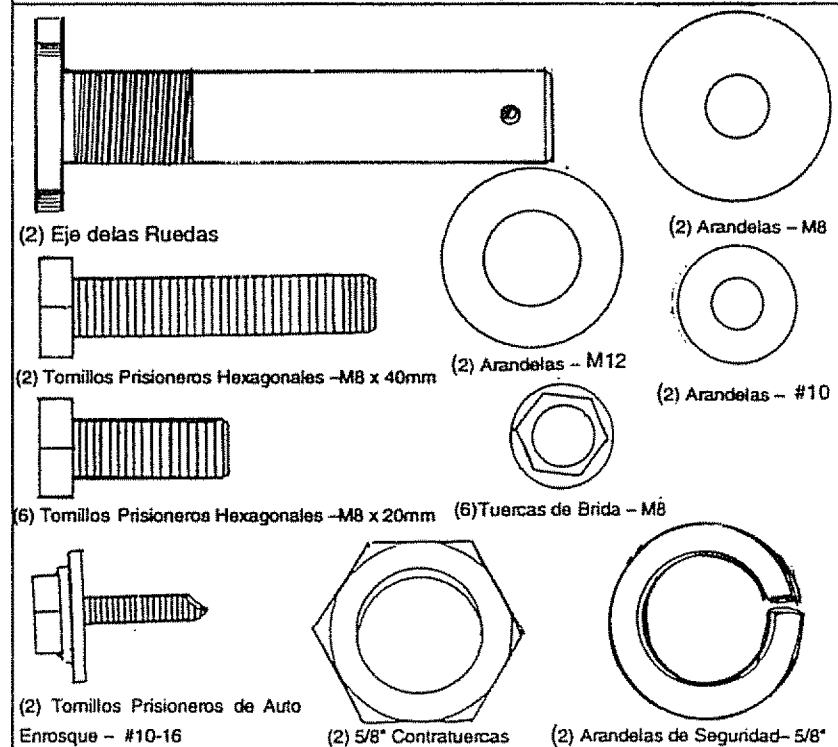
Partes empaquetads por separado en la caja



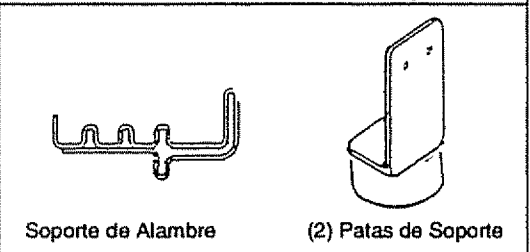
Partes empaquetads en la Caja de las Partes



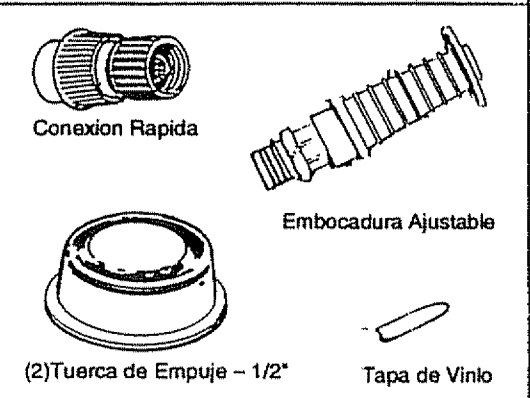
Contenido de la Bolsa de las Partes mostrados en tamaño completo



Contenido de la Bolsa de las Partes no mostrados en tamaño completo



Contenido de la Bolsa de las Partes no mostrados en tamaño completo



ENSAMBLE

Lea estas instrucciones y el Manual del Operador por completo antes de intentar ensamblar u operar su nueva máquina lavadora de alta presión. Su máquina lavadora de alta presión ha sido ensamblada, en su mayoría, en la fábrica, con excepción de aquellas partes dejadas sin ensamblar. Antes que pueda operar su nueva máquina lavadora de alta presión usted debe ensamblar el juego de ruedas y conectar apropiadamente la manguera de alta presión.

SI TIENE PROBLEMAS CON EL ENSAMBLE DE SU MAQUINA LAVADORA A PRESION POR FAVOR LLAME A LA LINEA DE AYUDA DE LA MAQUINA LAVADORA A PRESION AL 1- 800- 222- 3136.

HERRAMIENTAS NECESARIAS PARA EL ENSAMBLE

- Mazo
- Llave de cubos con Cubos de 1/2- pulgada o 13 mm
- Llaves Ajustable o Llaves de Combinación
- Llave para tuercas de 8mm

PARA RETIRAR LA MAQUINA LAVADORA A PRESION DE LA CAJA

- Retire la manija guía (envuelta en plástico).
- Retire la caja de accesorios de la caja.
- Retire el ensamble de pistola y vara del soporte de cartón.
- Retire todo el material de empaque de la caja antes de retirar su máquina lavadora de alta presión.

Refiérase a la Página 6, "Contenido del Paquete de Herrajes" para una lista ilustrada de todos los elementos incluidos con su máquina lavadora a presión. Familiarícese con cada pieza antes de ensamblar la máquina lavadora a presión. Compare todo el contenido con la las ilustraciones de la Página 6. Si no encuentra alguna parte o alguna está dañada llame a la Línea de Ayuda de la Máquina Lavadora a Presión al 1- 800- 222- 3136.

COMO INSTALAR SU MAQUINA LAVADOR A PRESION PARA INSTALAR EL JUEGO DE RUEDAS

Para instalar el juego de ruedas se necesita de las herramientas listadas más adelante, la manija guía y los elementos incluidos en la caja de las partes.

- Levante ligeramente el extremo del motor de la unidad principal. Esto le permitirá deslizar cada eje de rueda en los orificios proporcionados en la parte lateral de la base (Fig. 1)

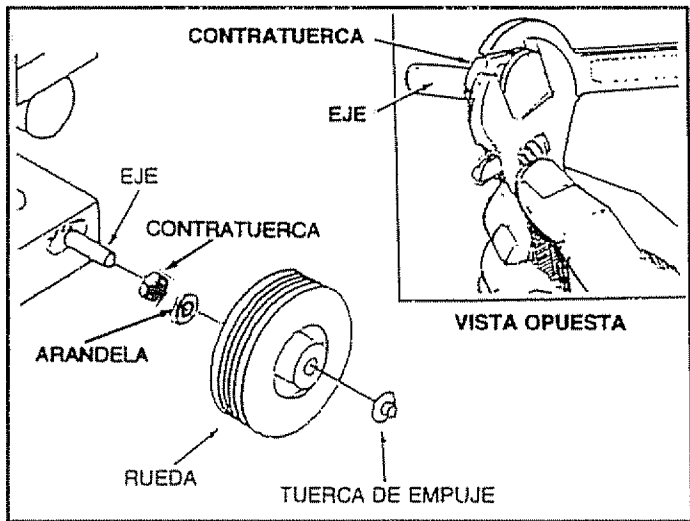


FIG. 1

- Apriete cada eje a la base con una contratuerca de 5/8"- 18.
- Coloque una arandela plana M12 sobre el eje y coloque las ruedas sobre los ejes.
- Retenga cada rueda a su eje golpeando una tuerca de empuje en el extremo del eje con un mazo.
- Ensamble los montajes antivibratorios para soportar las patas con tornillos prisioneros hexagonales M8- 1.25 x 20mm y tuercas de brida M8.
- Instale las patas de soporte a la base como es mostrado en la Fig. 2 con los tornillos prisioneros hexagonales y las tuercas de seguridad de brida. Apriete los pasadores hasta que las ruedas estén derechas.
- Para hacer más fácil el colocar la manija de agarre en la manija guía, aplique una solución jabonosa a la manija. Después que la manija de agarre está colocada instale la manija guía a la base como es mostrado en la Fig. 2 con dos tornillos prisioneros M8-1.25 x 40mm, dos arandelas y dos tuercas de brida M8.

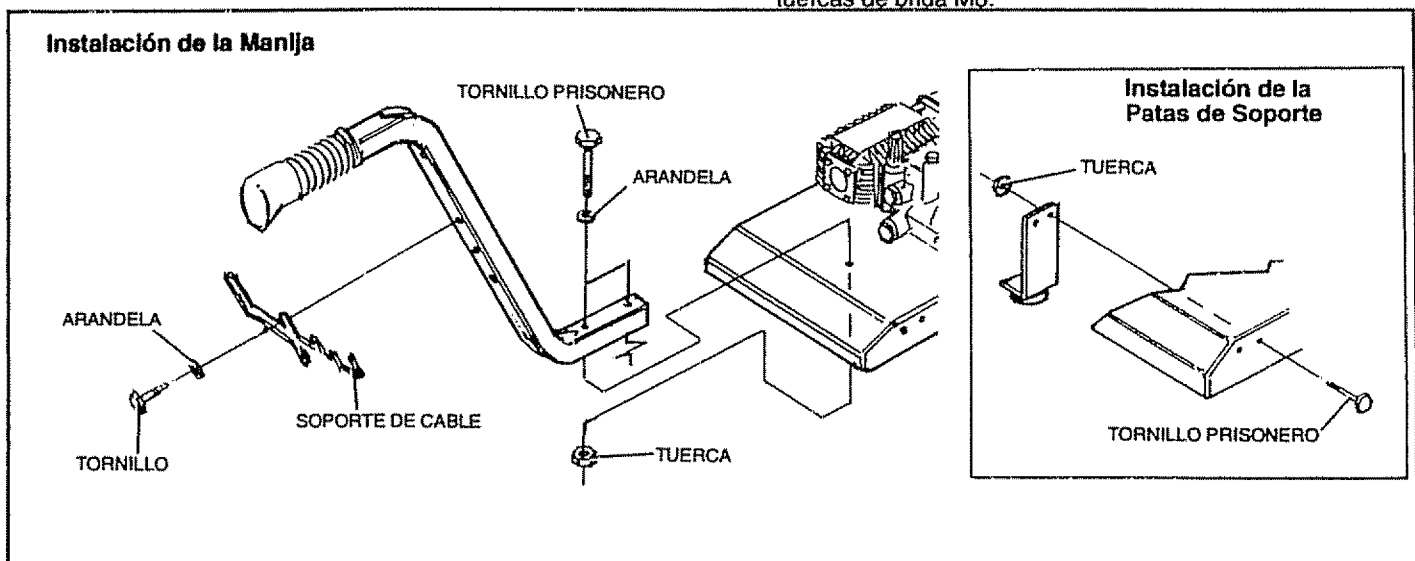


FIG. 2

ENSAMBLE

- Una el soporte de alambre a la manija guía con los tornillo de auto enrosque #10 y las arandelas planas M6 (Fig. 3). El enrollador de la manguera debe estar a la izquierda y el sostenedor de la pistola a la derecha. Asegúrese que la curvatura del soporte está apuntando hacia arriba. Coloque la tapa de vinilo en el sostenedor de la pistola.

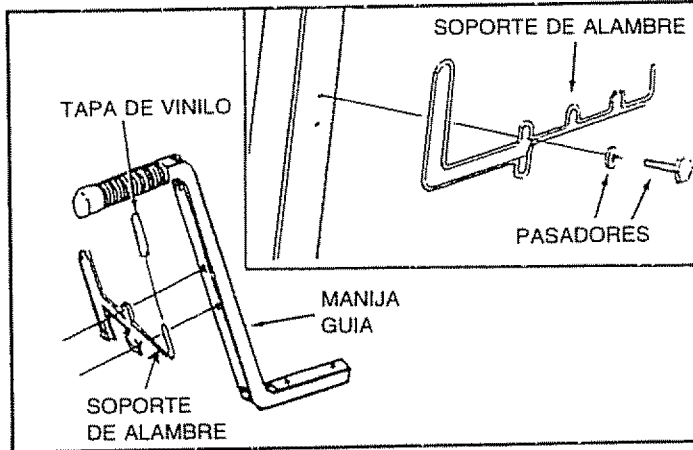


FIG. 3

PARA ENSAMBLAR LOS COMPONENTES REMANENTES

IMPORTANTE: USTED DEBE ENSAMBLAR LA VARA Y CONECTAR TODAS LAS MANGUERAS ANTES DE ENCENDER EL MOTOR. LA BOMBA SE DAÑARA SI EL MOTOR ES ENCENDIDO SIN TENER TODAS LAS MANGUERAS CONECTADAS Y EL AGUA SUMINISTRADA.

- Incluida con esta unidad hay un acople de conexión rápida que usted conecta a la entrada de agua. Este puede separarse en dos partes - un conector macho y un conector hembra que contiene un tamiz de entrada. Asegúrese que esta tamiz esté limpio así como también el filtro en el acople de entrada del agua. Conecte el acople de conexión rápida al acople plástico inferior en la parte frontal de la bomba (Fig. 4). El conector macho negro está en el lado que usted conecta el acople plástico.

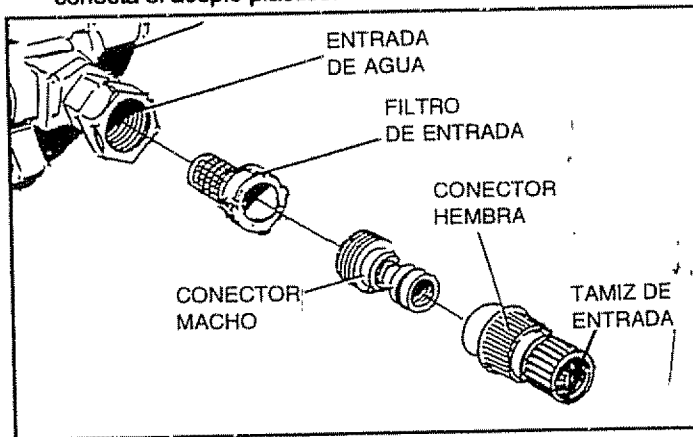


FIG. 4

- Desenrede la manguera de alta presión y revise que las roscas en un extremo estén cubiertas apropiadamente con cinta de teflón. Si no hay cinta aplicada apropiadamente, coloque de nuevo de manera que las roscas estén completamente cubiertas. La cinta sella la conexión de la manguera al ensamble pistola y vara.

- Una el acople con cinta de teflón al ensamble de pistola y vara (Fig. 5). Usted puede girar la pistola o la manguera para asegurar la conexión. Aprieta con una llave ajustable.

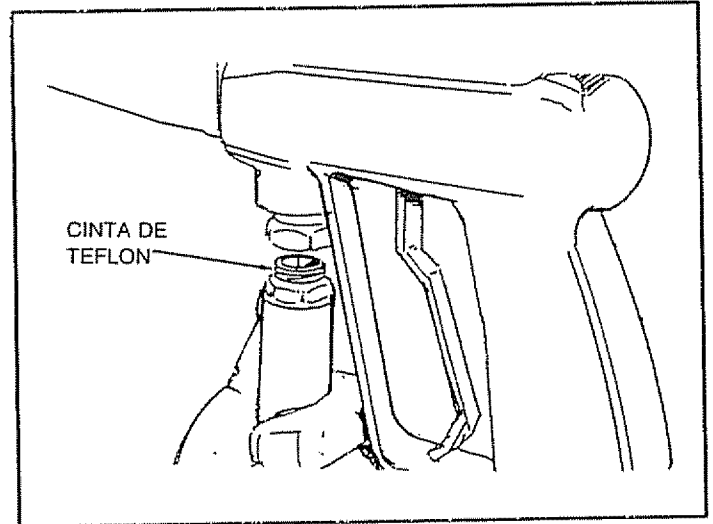


FIG. 5

- Conecte el otro extremo de la manguera de alta presión al acople metálico superior de la bomba. Aprieta con la llave ajustable (Fig. 6).

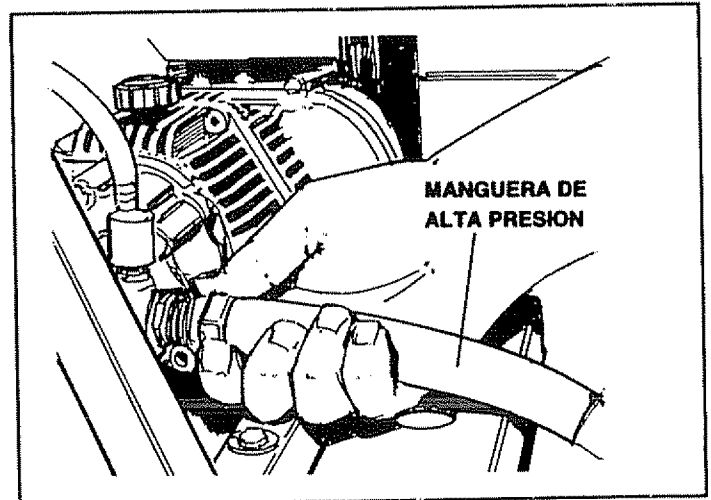


FIG. 6

LISTA DE REVISION

- Revise los pasadores que utilizó para instalar el juego de ruedas y que las manijas estén apretadas. La vibración durante el funcionamiento puede soltar los pasadores que no estén suficientemente apretados.
- Revise que las conexiones de la manguera estén bien (alta presión y suministro de agua) y que las conexiones estén apretadas y que no existan dobleces, cortes, o daño a la manguera de alta presión.
- Asegúrese que el nivel de aceite en el motor esté en el nivel correcto.
- Proporcione el suministro de agua apropiado (que no exceda los 140 F).
- Asegúrese de leer las secciones de "Reglas de Seguridad" y "operación" antes de utilizar la máquina lavadora a presión.

OPERACION

CONOZCA SU MAQUINA LAVADORA A PRESION

LEA ESTE MANUAL DEL PROPIETARIO Y LAS REGLAS DE SEGURIDAD ANTES DE OPERAR SU MAQUINA LAVADORA DE ALTA PRESION. Compare las ilustraciones con su máquina lavadora de alta presión para familiarizarse con las ubicaciones de los diferentes controles y ajustes. Conserve este manual para referencias futuras.

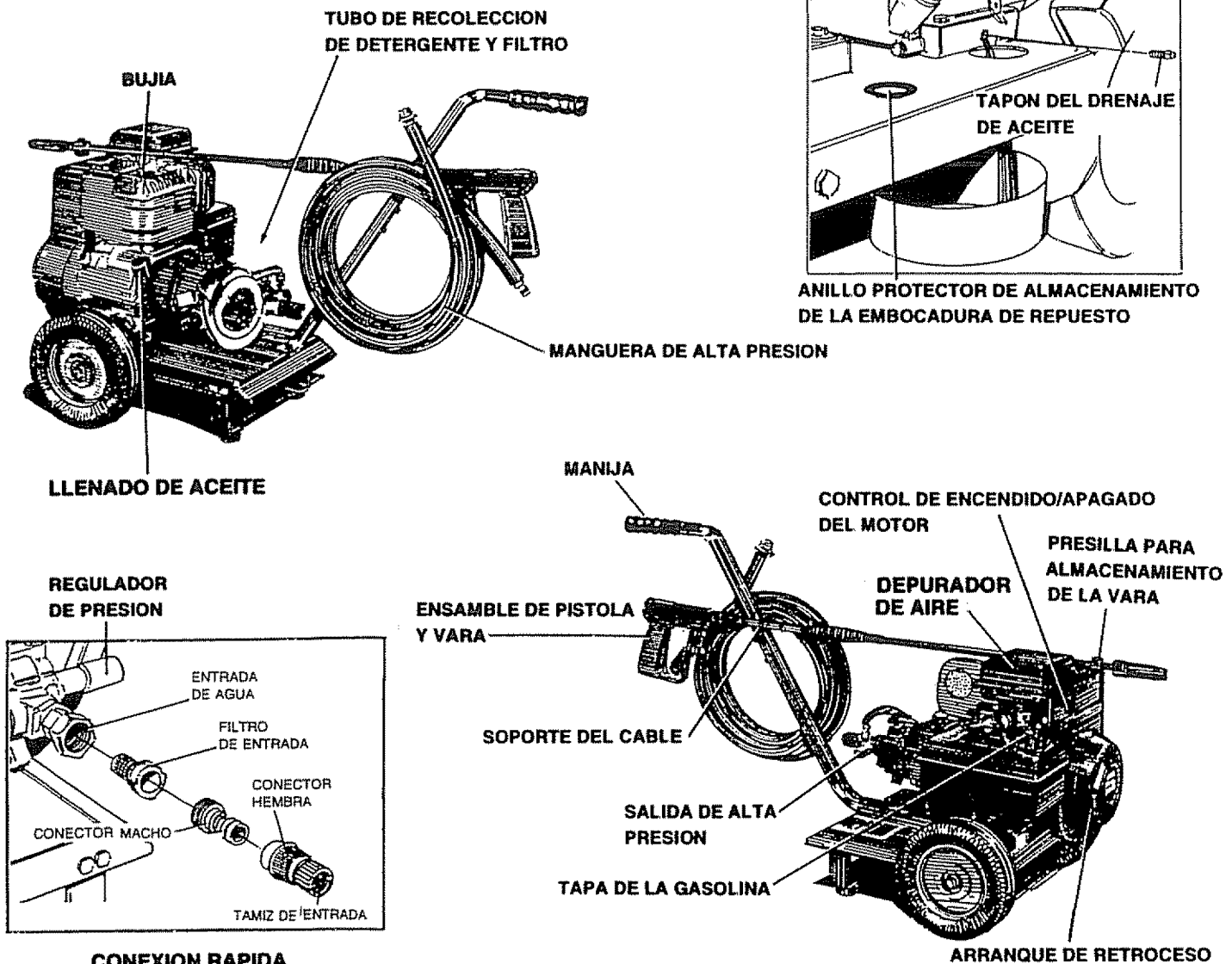


FIG. 7

BOMBA — Desarrolla la alta presión.

REGULADOR DE PRESION — Le permite ajustar la presión de la corriente de salida.

CONTROL DE ENCENDIDO — APAGADO DEL MOTOR - Coloca al motor en el modo de encendido para el arranque de retroceso; APAGA el motor en funcionamiento.

ARRANQUE DE RETROCESO — Usado para encender el motor manualmente.

DEPURADOR DE AIRE — Elemento de filtro tipo seco que limita la cantidad de suciedad y polvo que llega al motor.

ENSAMBLE DE PISTOLA Y VARA — Controla la aplicación de agua sobre la superficie a limpiar con el dispositivo de gatillo. Incluye el cerrojo de seguridad.

MANGUERA DE ALTA PRESION — Conecta un extremo a la bomba del agua y el otro a la vara de rociado.

FILTRO DE SUMINISTRO DE ENTRADA — Filtra el suministro de agua de entrada.

TUBO DE RECOLECCION DE DETERGENTE Y FILTRO — Mezcla el agua y el detergente en el flujo de agua de salida.

SALIDA DE ALTA PRESION — Conexión para la manguera de alta presión.

CONEXION RAPIDA — Conexión fácil para el suministro de agua de entrada.

OPERACION

COMO UTILIZAR SU MAQUINA LAVADORA

SI TIENE ALGUN PROBLEMA AL OPERAR SU MAQUINA LAVADORA A PRESION POR FAVOR LLAME A LA LINEA DE AYUDA DE LA MAQUINA LAVADORA A PRESION AL 1- 800- 222- 3136.

PARADO DE SU MAQUINA LAVADORA A PRESION

- Primero, mueva el mando del motor o del equipo hasta la posición de OFF (Fig. 8).

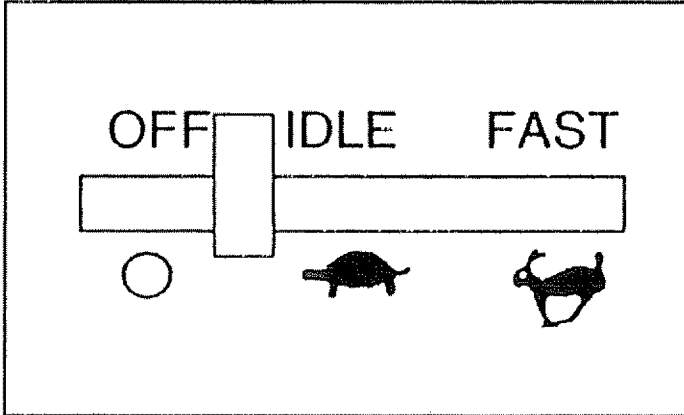


FIG. 8

- Con el simple APAGADO del motor la presión del sistema no será liberada. Tire del gatillo del ensamble de la vara de rociado para liberar la presión de la manguera. NOTA: Una pequeña cantidad de agua saldrá cuando usted libere la presión.

EMBOCADURAS DE ROCIADO

Su máquina lavadora de alta presión viene equipada con una selección de dos conexiones para la embocadura de rociado - una embocadura ajustable (Fig. 9) y una embocadura de chorro (Fig. 10). Conecte cualquiera de las embocaduras como es mostrado en la Fig. 9 y APRIETE CON LA MANO la perilla plástica.

COMO UTILIZAR LA EMBOCADURA



AJUSTABLE ADVERTENCIA: NUNCA AJUSTE EL PATRON DE ROCIADO CUANDO ESTE ROCIANDO. NUNCA COLOQUE LAS MANOS EN FRENTE DE LA EMBOCADURA DE ROCIADO PARA AJUSTAR EL PATRON DE ROCIADO.

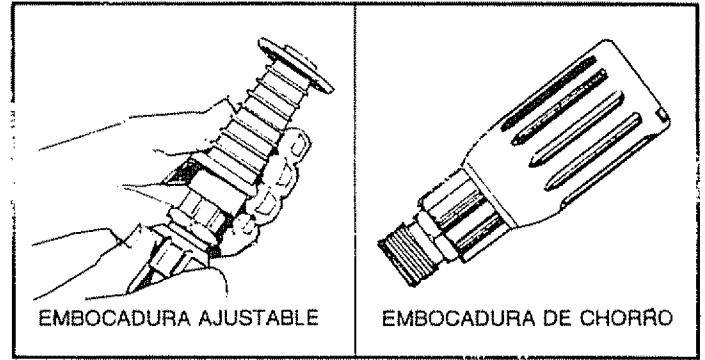


FIG. 9

FIG. 10

Con la embocadura ajustable usted puede ajustar el patrón de rociado para que sea de alta o baja presión. También puede ajustar el rociado de manera que esté concentrado en un patrón de corriente o expandido en un patrón de abanico. Utilice esta embocadura para aplicar detergente

- Empuje la conexión de la embocadura hacia adelante cuando desee ajustar el rociado al modo de baja presión (Fig. 11). Tire la embocadura hacia atrás para obtener la alta presión.
- El girar la embocadura hace que se ajuste el patrón de rociado de una corriente angosta a una corriente expandida.
- También puede ajustar la presión girando la perilla del control de presión (Fig. 12) al valor de presión deseado. El girar esta perilla por completo en sentido de las manecillas del reloj produce la presión más alta. No desatornille la válvula de control de presión demasiado porque se saldrá por completo.

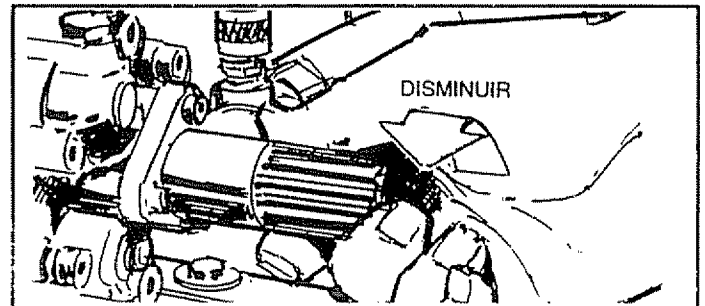


FIG. 12

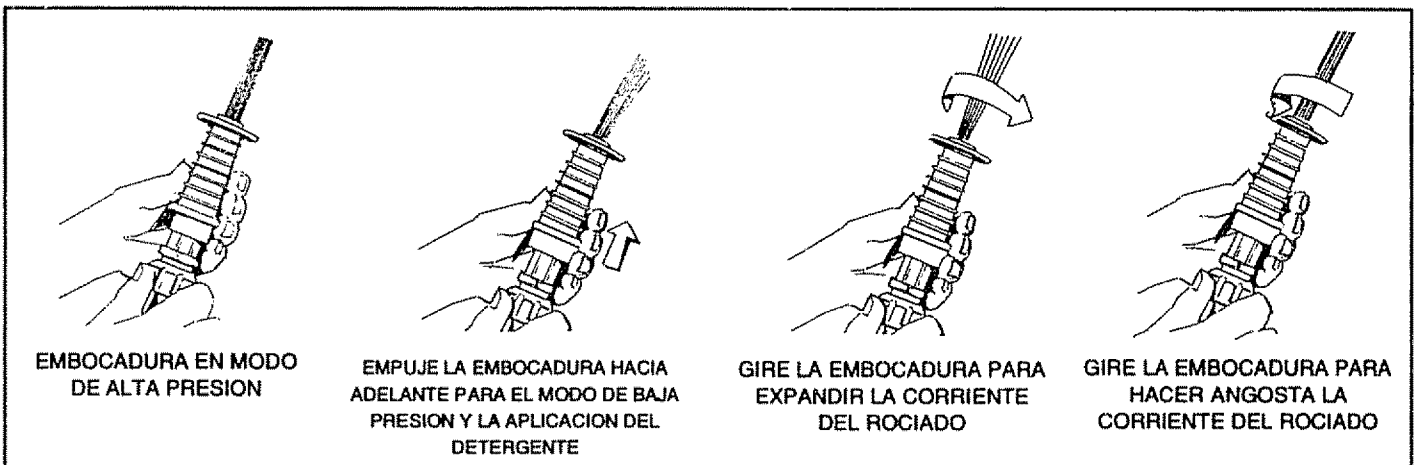


FIG. 11

OPERACION

APLICACION DE DETERGENTE CON LA EMBOCADURA AJUSTABLE

IMPORTANTE: UTILICE DETERGENTES DISEÑADOS ESPECIFICAMENTE PARA MAQUINAS LAVADORAS A PRESION. LOS DETERGENTES CASEROS PODRIAN DAÑAR LA BOMBA.

IMPORTANTE: USTED DEBE CONECTAR TODAS LAS MANGUERAS ANTES DE ENCENDER EL MOTOR. EL ENCENDER EL MOTOR SIN TENER TODAS LAS MANGUERAS CONECTADAS HARA QUE LA BOMBA SE DAÑE.

Las máquinas lavadoras a presión son herramientas de limpieza útiles diseñadas para limpiar casi cualquier superficie en dos pasos sencillos.

- El primer paso involucra la aplicación de una solución detergente/disolvente apropiada para penetrar y soltar la mugre. El detergente es aplicado a baja presión para evitar el salpicamiento, rociado excesivo y desperdicio. Deje la solución sobre la superficie de 3 a 5 minutos para permitir que la solución actúe.
- El segundo paso involucra la superficie a limpiar que usted a preparado con la máquina lavadora a presión y después el enjuagarla hasta dejarla limpia.

Para aplicar el detergente siga estos pasos:

- Prepare su solución de detergente como sea requerido por su trabajo.
- Coloque el filtro pequeño del tubo transparente de recolección de detergente dentro del recipiente del detergente (Fig. 13).

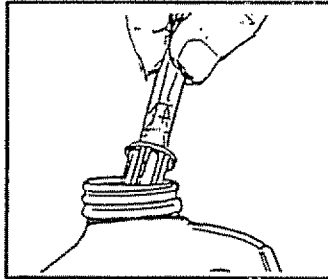


FIG. 13

- Coloque la embocadura en el modo de baja presión. El detergente no puede ser extraído con la embocadura en el modo de alta presión (vea la Fig. 11).
- Encienda la máquina lavadora y aplique el detergente a una superficie seca, comenzando en la parte de abajo y terminando en la parte de arriba. También puede concentrar la concentración de detergente girando la perilla del detergente (Fig. 14).

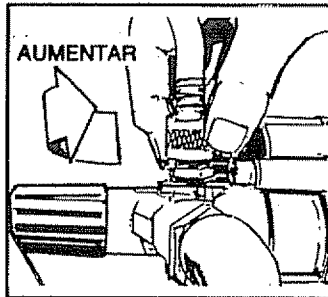


FIG. 14

- Retire el sifón de la botella para detener el detergente en el modo de baja presión.

NOTA: Los detergentes son más efectivos aplicados sobre superficies secas.

COMO UTILIZAR LA EMBOCADURA PARA CHORRO

- La embocadura para chorro giratoria, en esencia, expande el área de la corriente de alta presión.
- Usted no puede ajustar el patrón de rociado con esta embocadura.
- Usted no puede aplicar detergente con esta embocadura.

LAVADO/ENJUAGUE A PRESION

- Conecte el suministro de agua (Fig. 15).
- **Ajuste** la embocadura para seleccionar el modo de alta presión (vea la Fig. 11).



ADVERTENCIA: SEA EXTREMADAMENTE CUIDADOSO SI TIENE QUE UTILIZAR LA MAQUINA LAVADORA A PRESION DESDE UNA ESCALERA, ANDAMIAJE O CUALQUIER OTRA UBICACION RELATIVAMENTE INESTABLE. LA PRESION DE UNA MAQUINA LAVADORA FUNCIONANDO SE ACUMULA EN LA VARA A MEDIDA QUE USTED SUBE. CUANDO OPRIMA EL GATILLO LA FUERZA DE REACCION DEL ROCIADO INICIAL PUEDE HACERLO CAER, O SI USTED ESTA MUY CERCA DE LA SUPERFICIE QUE ESTA LIMPIANDO LA ALTA PRESION LO PODRIA HACER CAER DEL DISPOSITIVO ELEVADO SOBRE EL CUAL ESTA.

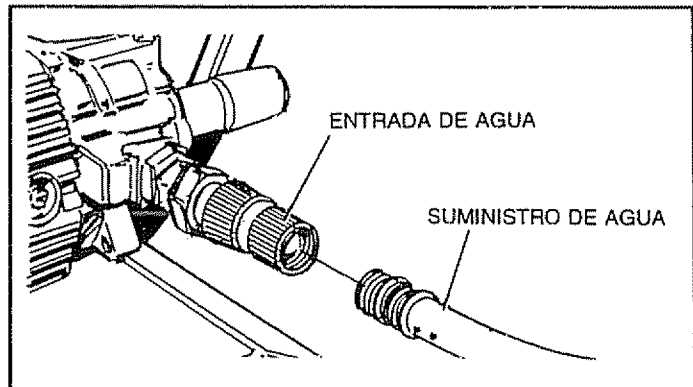


FIG. 15

NOTA: El detergente no fluirá cuando esté en el modo de alta presión. Encienda la máquina lavadora y diríjase de la parte superior de la superficie a la parte de abajo.

- Encienda la máquina lavadora y diríjase de la parte superior de la superficie a la parte de abajo.

NOTA: El modo de alta presión es más efectivo cuando la punta de la vara está sostenida entre 6 pulgadas a dos pies de la superficie que está siendo limpiada.

ALMACENAMIENTO DE LAS EMBOCADURAS

Está incluido un soporte para las embocaduras en la base. Usted puede mantener la embocadura que NO está utilizando en ese soporte (Fig. 16).

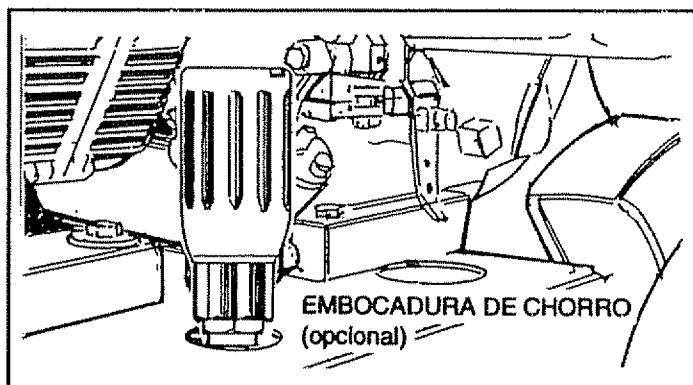


FIG. 16

OPERACION

ANTES DE ENCENDER EL MOTOR

Para operar el motor usted necesitará lo siguiente:

ACEITE PARA EL MOTOR:

IMPORTANTE: CUALQUIER INTENTO DE HACER GIRAR O ENCENDER EL MOTOR ANTES QUE ESTE HAYA RECIBIDO SERVICIO APROPIADO CON EL ACEITE RECOMENDADO RESULTA EN UNA FALLA DEL MOTOR.

Esta incluida una botella de aceite de 27 oz. SAE 30 en la caja de las partes.

NOTA: Cuando agregue aceite a la caja del cigüeñal del motor use únicamente aceite detergente de alta calidad con la clasificación de servicio API SF, SG o SH, con peso SAE 30. Seleccione el grado de viscosidad del aceite de acuerdo a su temperatura de funcionamiento esperada.

más frío	32°F	más caliente
5W30		SAE30

Aunque los aceites de múltiple viscosidad (5W30, 10W30, etc.) mejoran el encendido en clima frío ellos crean aumento en el consumo de aceite cuando son usado por debajo de 32 °F. Revise el nivel de aceite de su motor más frecuentemente para evitar daño posible de hacer funcionar el motor con poco aceite. La capacidad del sumidero del de aceite es de 20 onzas.

- Coloque la máquina lavadora a presión de manera que el motor esté nivelado.
- Limpie el área alrededor del orificio para el aceite y retire la varilla de medición de aceite. (Fig. 17).

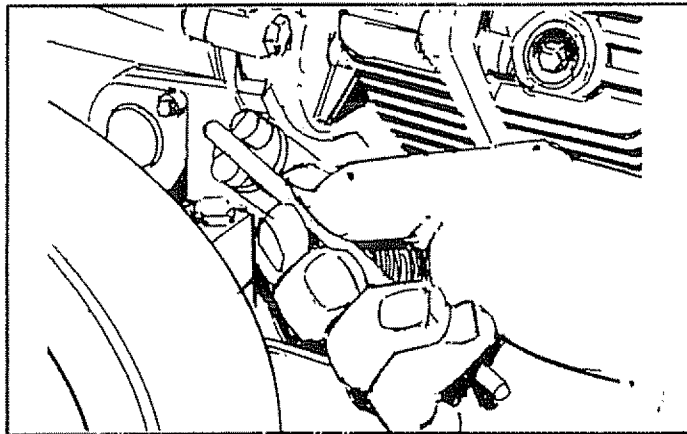


FIG. 17

- Limpie la varilla de medición, insértela en el orificio para llenado de aceite y apriétela firmemente. Retire la varilla de medición de aceite. Si el aceite no está hasta la MARCA LLENO de la varilla de medición agregue el aceite recomendado. VIERTALO LENTAMENTE.
- Limpie la varilla de medición cada vez que sea revisado el nivel de aceite.

IMPORTANTE: NO LO LLENE POR ENCIMA DE LA MARCA DE "LLENO" DE LA VARILLA DE MEDICION.

- Vierta aceite de la botella que viene incluida dentro de la apertura de llenado del aceite.
- Instale la varilla de medición de aceite, apriétela con la mano firmemente.

GASOLINA

ADVERTENCIA: NUNCA LLENE EL TANQUE DE COMBUSTIBLE EN RECINTOS CERRADOS. NUNCA LLENE EL TANQUE DE COMBUSTIBLE CUANDO EL MOTOR ESTA EN FUNCIONAMIENTO O CALIENTE. NO FUME CUANDO LLENE EL TANQUE DE COMBUSTIBLE.

ADVERTENCIA: NUNCA LLENE EL TANQUE DEL COMBUSTIBLE POR COMPLETO. LLENE EL TANQUE A APROXIMADAMENTE 1/2" POR DEBAJO DE LA PARTE INFERIOR DEL CUELLO DE LLENADO PARA PROPORCIONAR ESPACIO PARA LA EXPANSION DEL COMBUSTIBLE. LIMPIE CUALQUIER DERRAMAMIENTO DE COMBUSTIBLE DEL MOTOR O EQUIPO ANTES DE ENCENDER.

El fabricante recomienda gasolina para automóvil regular sin contenido de plomo, limpia y fresca con un mínimo de 77 octanos (La de grado regular con plomo es un sustituto aceptable). La capacidad del tanque es de 2 U.S. cuartos.

- Use combustible limpio y almacénelo en recipientes cubiertos, limpio y aprobados. Use embudos de llenado limpios. Nunca utilice gasolina "vieja" dejada de la última estación o gasolina almacenada por largos períodos de tiempo.

IMPORTANTE: ES IMPORTANTE EVITAR QUE SE FORMEN DEPOSITOS DE GOMA EN LAS PARTES IMPORTANTES DEL SISTEMA DEL COMBUSTIBLE COMO EL CARBURADOR, EL FILTRO DEL COMBUSTIBLE, LA MANGUERA DEL COMBUSTIBLE O EL TANQUE DURANTE EL ALMACENAMIENTO. TAMBIEN LA EXPERIENCIA INDICA QUE LOS COMBUSTIBLES MEZCLADOS CON ALCOHOL (LLAMADOS GASOHOL O QUE UTILIZAN ETANOL O METANOL) PUEDEN ATRAER LA HUMEDAD LA CUAL CONLLEVA A SEPARACION Y FORMACION DE ACIDOS DURANTE EL ALMACENAMIENTO. EL GAS ACIDO PUEDE DAÑAR EL SISTEMA DEL COMBUSTIBLE DE UN MOTOR EN ALMACENAMIENTO. PARA EVITAR PROBLEMAS DEL MOTOR EL SISTEMA DEL COMBUSTIBLE DEBE SER DESOCUPADO ANTES DE ALMACENARLO POR 30 DIAS O MAS. VEA "ALMACENAMIENTO" EN LA PAGINA 17. NUNCA USE PRODUCTOS LIMPIADORES PARA MOTOR O CARBURADOR EN EL TANQUE DEL COMBUSTIBLE, DE OTRA FORMA PUEDE OCURRIR UN DAÑO PERMANENTE.

- Limpie el área alrededor de la tapa de llenado de combustible, retire la tapa.
- Agregue gasolina regular "SIN PLOMO", lentamente hasta llenar el tanque.
- Instale la tapa del combustible y limpie cualquier derrame de gasolina.

PARA ENCENDER LA MAQUINA LAVADORA

- Conecte un extremo de la manguera del jardín a una fuente de agua fría. El suministro de agua no debe exceder los 140 °F (55 °C).
- Revise que la manguera de alta presión esté conectada a la salida de la bomba y que el suministro de agua esté conectado a la entrada de la bomba.
- ABRA el agua.
- Oprima el gatillo del ensamble de pistola y vara para hacer que el aire salga de la manguera de alta presión.
- Ajuste la embocadura a la presión correcta y el ángulo de rociado. También puede girar la perilla de control de presión al valor de presión deseado.

OPERACION

- Oprima el gatillo de la pistola de la máquina lavadora a presión (Fig. 18).
- Encienda el motor de acuerdo a "PARA ENCENDER EL MOTOR."

- Coloque la palanca de control del motor en posición de "RAPIDO" (FAST).
- Agarre la manija de retroceso de encendido del motor y tirela hacia atrás lentamente hasta que esta se ponga tensa. Deje que la soga se enrosque lentamente. Después tire de la soga con un movimiento de brazo completo y rápido. Deje que la soga regrese lentamente (Fig. 21).

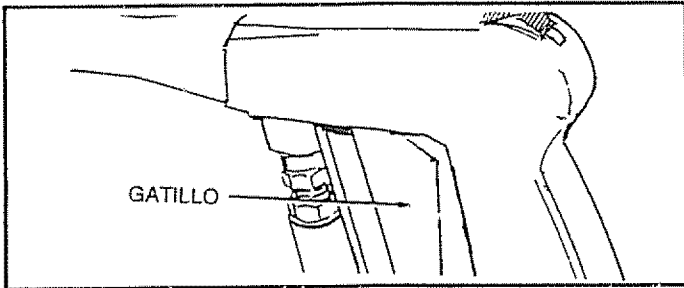


FIG. 18

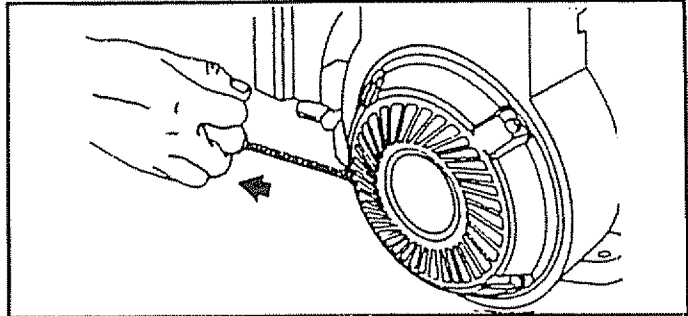


FIG. 21

PARA ENCENDER EL MOTOR

IMPORTANTE: NO HAGA FUNCIONAR LA BOMBA SIN TENER EL SUMINISTRO DE AGUA CONECTADO. NO PERMITA QUE LA BOMBA FUNCIONE MAS DE 5 MINUTOS SIN PRESIONAR EL GATILLO DE LA PISTOLA. ALIVIE LA PRESION Y APAGUE LA UNIDAD SI ESTA FUERA DE USO POR MAS DE 5 MINUTOS SIN TIRAR DEL GATILLO. USTED DEBE SEGUIR ESTA PRECAUCION O LA BOMBA SE DANARA.

- Oprima el gatillo de la vara de la máquina lavadora a presión para liberar la alta presión y/o purgar la manguera de entrada de aire.
- Ajuste el cerrojo de seguridad en la posición de ENCENDIDO. Esto inactiva al gatillo de manera que usted no pueda realizar un rociado accidental de alta presión (Fig. 19).

- Si el motor no se enciende después de tres intentos, cebe el motor de nuevo por 5 veces, oprima el gatillo para liberar la presión y tire la soga del arranque de nuevo.
- Una vez que se haya encendido coloque el Cerrojo de Seguridad en la posición OFF.
- Oprima el gatillo del ensamble de la pistola y vara. Debe salir agua por la embocadura.
- Su máquina lavadora a presión está lista para ser usada.

EXTRACCION

Nosotros no recomendamos que su tome su suministro de agua de fuentes diferentes a la conexión de suministro de agua de la casa.

SUGERENCIAS

- Inicialmente limpie un área y revise si la superficie tiene daños. Si no encuentra daños puede asumir que está bien y puede continuar limpiando. Los detergentes actúan mejor cuando se aplican sobre una superficie seca.
- Para una limpieza más efectiva, mantenga la embocadura de rociado entre 8 y 24 pulgadas de la superficie que está limpiando.
- Permita que el detergente actúe entre 3- 5 minutos antes de lavar y enjuagar.
- Para limpieza, comience en la porción inferior del área a ser lavada y diríjase hacia arriba, utilizando movimientos largos y superpuestos.
- Para enjuague, empuje la manga de la embocadura a alta presión y espere que el detergente sea eliminado. Comience en la parte superior del área que va a ser enjuagada dirigiéndose hacia abajo con la misma clase de movimientos utilizados para la limpieza.
- Nunca utilice la entrada del agua para extraer detergente o cera.
- Usted puede dañar la superficie que está limpiando si acerca demasiado la embocadura de rociado, especialmente utilizando el modo de alta presión.
- La limpieza no será muy efectiva si tiene la embocadura de rociado muy lejos.
- No se acerque más de 6 pulgadas cuando esté limpiando llantas de automóviles.

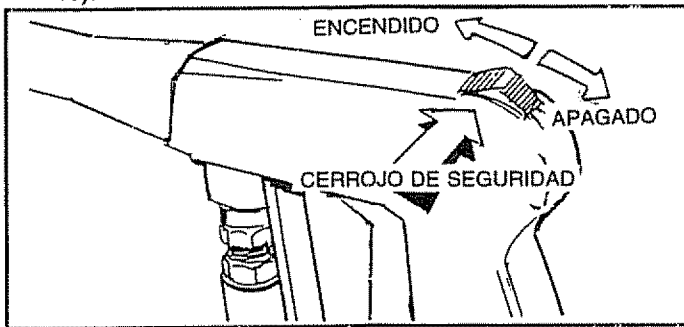


FIG. 19

- Coloque el mando del estrangulador o la palanca de control del equipo en posición de "ESTRANGULADOR" o CHOKE. (Fig. 20).

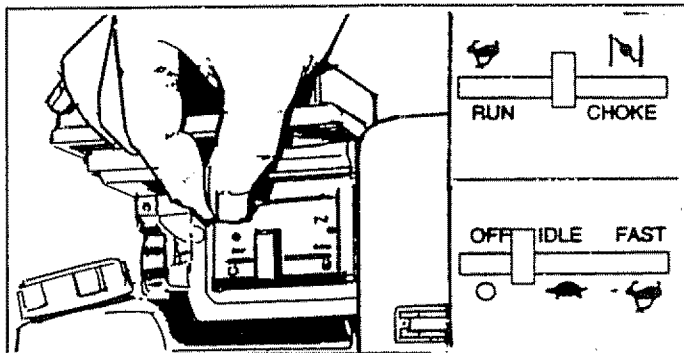


FIG. 20

ESPONSABILIDADES DEL CLIENTE

TRABAJO DE MANTENIMIENTO COLOQUE LAS FECHAS A MEDIDA QUE COMPLETE SU SERVICIO REGULAR TRABAJO DE MANTENIMIENTO	INTERVALO DE OPERACION POR HORA				FECHAS DE SERVICIO				
	Antes de Cada Uso	Cada 25 Horas o Anualmen te	Cada 50 Horas	Cada 100 Horas o Anualment e					
MAQUINA LAVADORA A PRESION									
1. Revisar filtro de entrada y tamiz.	X†								
2. Revisar manguera de alta presión.	X								
3. Revisar la manguera del detergente.	X								
4. Revisar por fugas en pistola y vara.	X								
5. Cambiar bomba de aceite.	X		X						
MOTOR									
1. Revise el nivel de aceite.	X								
2. Cambie el aceite del motor. ‡		X*							
3. De servicio al depurador de aire.			X**						
4. Reemplace la bujía.			X						
5. Prepárelo para almacenaje.**	Prepare la unidad para almacenamiento si va a permanecer fuera de funcionamiento por más de 30 días								

† Limpiar si está obstruido. Reemplazar si está perforado o rasgado.

‡ Cambiar aceite después de las primeras 2 horas, después cada 25 horas.

* Cambiar más rápido cuando funcione bajo carga pesada o alta temperatura ambiente.

** Limpiar más a menudo bajo condiciones polvorrientas o cuando hay partículas aerotransportadas presentes.

RECOMENDACIONES GENERALES

La garantía de la máquina lavadora a presión no cubre los elementos que hayan sido sujetos a abuso o negligencia del operador. Para recibir un cubrimiento completo de la garantía el operador debe seguir las pautas descritas en este manual. Algunos ajustes serán necesarios periódicamente para mantener apropiadamente su máquina lavadora de alta presión.

Todos los ajustes de la sección de Servicio y Ajustes de este manual deben ser hechos al menos una vez por temporada.

- Una vez al año debe reemplazar la bujía y limpiar o reemplazar el filtro de aire y revisar si el ensamble de pistola y vara está desgastado. Una bujía nueva y un filtro de aire limpio aseguran una mezcla de aire-combustible apropiada y le ayuda a su motor a funcionar mejor y a durar más.

ANTES DE CADA USO

Revise el nivel de aceite del motor.

Revise si el filtro de entrada del agua y el tamiz de la conexión rápida están dañados.

Revise si hay fugas en la manguera de alta presión. Revise si la manguera de entrada de detergente y el filtro están dañados.

Revise si hay fugas en el ensamble de pistola y vara.

MANTENIMIENTO DE LA MAQUINA LAVADORA A PRESION

Revise el Filtro de Entrada y el Tamiz: Retire la conexión rápida y examine el tamiz de entrada del conector hembra y en el acople

de entrada de la bomba. Limpie los filtros si están obstruidos o reemplace la conexión rápida si el tamiz del filtro o el filtro del acople de entrada están desgarrados.

Revise la Manguera de Alta Presión: La manguera de alta presión puede desarrollar fugas debido a desgaste, doblamiento, abuso, etc. El rociado de agua de una fuga es capaz de inyectar material dentro de la piel. Inspeccione la manguera cada vez antes de usarla. Revise todas las mangueras para ver si tienen cortes, fugas, abrasiones o abultamientos de la cubierta, o daño o movimiento de los acoples. Reemplace la manguera inmediatamente si cualquiera de estas condiciones existe. Nunca repare la manguera de alta presión. Reemplácela con otra manguera que reúna la clasificación de presión mínima de la máquina lavadora a presión.

Revise la Manguera del Detergente: Examine el filtro de la manguera del detergente y límpielo si está obstruido. La manguera debe adaptarse con seguridad en el acople con púas. Examine si la manguera tiene fugas o rasgaduras. Reemplace el filtro o la manguera si alguno de los dos está dañado.

Revise la Pistola y la Vara: Examine la conexión de la manguera y asegúrese que está apretada. Pruebe el gatillo presionándolo y asegurándose que esté se devuelve a su lugar. Coloque el cerrojo de seguridad en la posición ON y pruebe el gatillo. Usted no debe ser capaz de oprimir el gatillo.

RESPONSABILIDADES DEL CLIENTE

MANTENIMIENTO DEL MOTOR

Revisión del Nivel de Aceite:

Vea "ANTES DE ENCENDER EL MOTOR" para obtener información en la revisión del nivel de aceite. El nivel de aceite debe ser revisado antes de cada uso o al menos cada 5 horas de operación. Mantenga el nivel de aceite.

Cambio de Aceite:

- Cambie el aceite después de las primeras 2 horas de operación. Cambie el aceite cada 25 horas desde ese momento en adelante. Cambie el aceite más a menudo si está usando su máquina lavadora a presión bajo condiciones de suciedad o polvo extremas, o en clima extremadamente caliente.
- Cambie el aceite mientras el motor se encuentre aún caliente por funcionamiento de la siguiente manera:



PRECAUCIÓN: DESCONECTE EL CABLE DE LA BUJIA Y MANTÉNGALO ALEJADO DE LA MISMA.

Limpie el área alrededor del tapón del drenaje de aceite, retire el tapón y drene el aceite por completo en un recipiente indicado (Fig. 22).

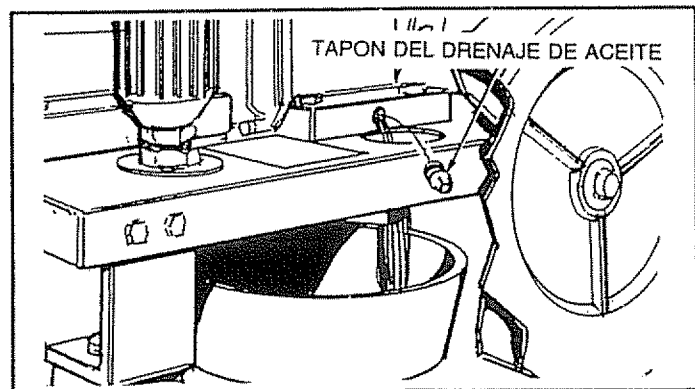


FIG. 22

- Cuando todo el aceite haya drenado, instale y apriete el tapón de aceite.
- Retire la varilla de medición de aceite. Limpie la varilla de medición.
- Llene la caja del cigüeñal del motor con aceite hasta que el nivel del aceite esté en el punto de "LLENO" de la varilla de medición de aceite. No llene en exceso por encima de la marca. Se necesitan aproximadamente 20 onzas. VIERTALO LENTAMENTE.
- Instale y apriete la varilla de medición de aceite cuando la caja del cigüeñal del motor es llenada al nivel apropiado.

De Servicio al Depurador de Aire:

Su motor no funcionará apropiadamente y se puede dañar si lo hace funcionar utilizando un depurador de aire sucio.

Limpie o reemplace el filtro de papel del depurador de aire una vez cada 100 horas de operación o una vez al año, lo que se presente primero. Limpie o reemplace más a menudo si su motor funciona en condiciones polvorientas o de mucha suciedad. Los repuestos están disponibles en su Centro local de Servicio Autorizado Sears.

Para limpiar o reemplazar el depurador de aire (Fig. 23):

- Suelte los tornillos de la cubierta (estos no necesitan ser retirados) y



FIG. 23

- Afloje los tornillos y quite a continuación la tapa. Limpie minuciosamente dentro de la base y la cubierta.
- Para dar servicio al cartucho, límpielo golpeándolo suavemente sobre una superficie plana. Si se encontrara muy sucio, cámbielo por uno nuevo. No lo engrase.
- Vuelva a instalar el cartucho. Coloque de nuevo la tapa y apriete los tornillos o la perilla firmemente.

Limpie el Sistema de Enfriamiento del Motor:

Retire los restos de hierba y suciedad de la rejilla rotante o de la placa protectora cada 8 horas o diariamente (o más a menudo si fuera necesario) para impedir que el motor se dañe como consecuencia de un recalentamiento (Fig. 24).

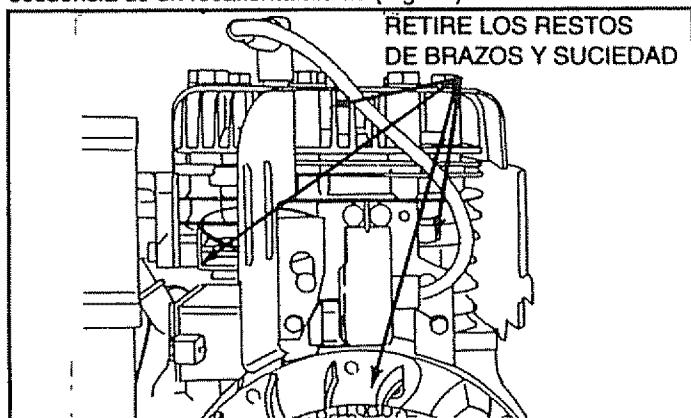


FIG. 24

Reemplace la Bujía:

Cambie la bujía cada 100 horas de operación o una vez al año, lo que se presente primero. Esto le ayudará al motor a encenderse más fácilmente y a funcionar mejor. Vea las especificaciones de la máquina lavadora a presión para saber el tipo de bujía que necesita. El espacio de la bujía es de 0.030 pulgadas (0.76mm).

RESPONSABILIDADES DEL CLIENTE

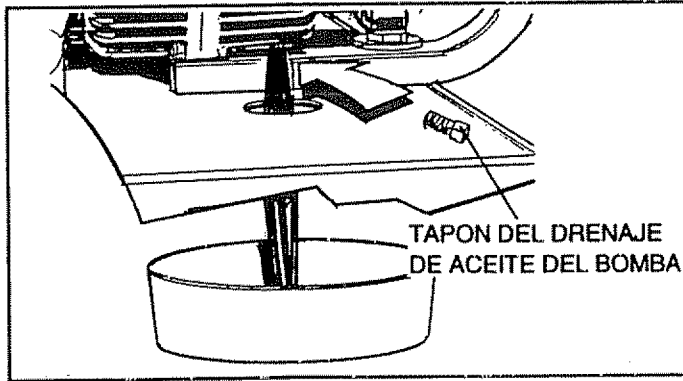


FIG. 25

- Es ajuste permita motor el arranque y caliente antes.
- Cuando todo el aceite haya drenado, instale y apriete el tapón de aceite.
- Retire el tapón del Llenado de Aceite del al parte superior de la bomba.

- Inserte un embudo y agregue aceite recomendado SAE 80W-90, después instale el Tapón de Llenado de Aceite. La capacidad es 9 onzas (275ml).
- Instale de nuevo el tapón de llenado e aceite de la bomba y instale de nuevo el escudo de la bomba.

Purgar Aire de la Bomba y Sucio:

Para quite aire de la bomba, siga estos pasos:

- Coloque el maquina lavadora de presión vea Ensamble instrucciones y conecte el suministro de agua.
- Quite el embocadura del pistola.
- Oprima el gatillo de la pistola y agarre.

Para retire sucio de la bomba, siga estos pasos:

- Coloque el maquina lavadora de presión vea Ensamble instrucciones, conecte el suministro de agua, y encender el motor vea instrucciones en OPERACION.
- Quite el extensión de embocadura de la pistola.
- Oprima el gatillo de la pistola y agarre.
- Cuando el suministro de agua es constante, conecte extensión de embocadura y encender la bomba.

SERVICIOS Y AJUSTES

VELOCIDAD DEL MOTOR



ADVERTENCIA: NUNCA MANIPULE EL MANDO DEL MOTOR EL CUAL AJUSTADO EN LA FABRICA A LA VELOCIDAD DE MOTOR APROPIADA. EL COLOCAR EL MOTOR EN UNA VELOCIDAD EXCESIVA POR ENCIMA DEL VALOR DE ALTA VELOCIDAD DE LA FABRICA PUEDE SER PELIGROSO.

IMPORTANTE: EL CAMBIAR LA VELOCIDAD DE MANDO DEL MOTOR CANCELARA LA GARANTIA DEL MOTOR.

AJUSTE DE MOTOR

Pueden requerirse pequeños ajustes del carburador para compensar las diferencias en combustible, temperatura, altitud o carga. El filtro de aire y la tapa del mismo deben ser montados en el carburador antes de arrancar el motor.

AJUSTES INICIAL

- Gire suavemente la válvula de aguja en el sentido de las agujas del reloj hasta que APENAS cierre. Si gira demasiado la válvula se puede dañar.
- Abra después la válvula de aguja 1 vuelta y 1/2 en sentido contrario a las agujas del reloj (Fig. 26).

AJUSTE FINAL

- Arranque el motor y permita que se caliente antes (aproximadamente 5 minutos).
- Gire al válvula de aguja hacia dentro en el sentido de las agujas del reloj (mezcla pobre) hasta que el motor comience a funcionar de forma lenta.

MANTENIMIENTO DE EMBOCADURA

Usted embocadura deben estar tapadas con material extraño, como sucio, presión de bomba excesivo fomen. El embocadura de tapada causar pulsada cuando se opere.

Usted el embocadura deben estar tapadas, limpie el embocadura con juego incluido con maquina lavadora de presión siga estos pasos:

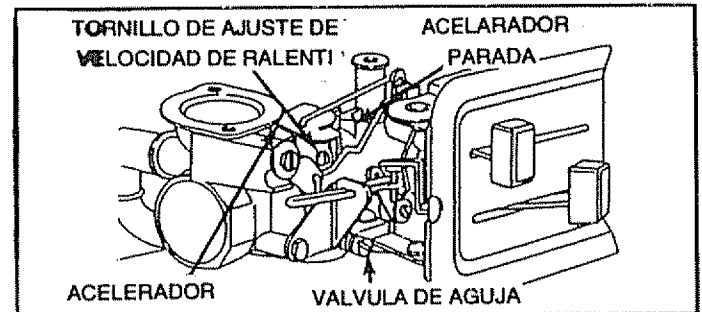


FIG. 26

- Apague el motor y apague el suministro de agua.
- Retire dispositivo de riego con pistola.
- Retire embocadura del extremo de dispositivo de riego con 2mm or 5/64 llave (incluido en la juego).
- Con alambre incluido en juego o clavijo para limpie material extraño del embocadura (Fig. 27)

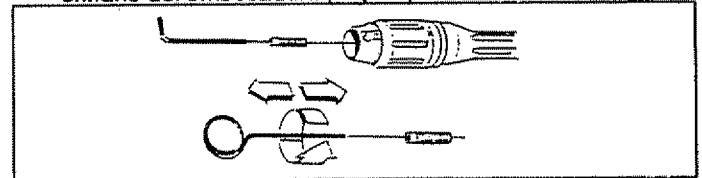


FIG. 27

- Remueve otro sucio con lava agua al dispositivo de riego. Lava 30 et 60 segundos. Gire la embocadura para hacer angosta la corriente del rociado.
- Reemplace embocadura en dispositivo de riego. NUNCA apriete muy mucho.
- Reemplace dispositivo de riego et pistola.
- Reconecte el suministro de agua, encender agua y encender el motor.
- Revise el maquina lavadora de presión con operación con embocadura en alta y baja posición.

ALMACENAMIENTO

BOMBA DE LA MAQUINA LAVADORA A PRESION

No debe haber agua en la unidad por períodos prolongados de tiempo. Se pueden depositar sedimentos y minerales en las partes de la bomba y "congelar" el funcionamiento de la misma. Siga este procedimiento si planea no utilizar la Máquina Lavadora a Presión por más de 30 días:

- Lave la manguera del detergente colocando el filtro del inyector dentro de un recipiente con agua limpia mientras funciona la Máquina Lavadora a Presión con la embocadura en el modo de baja presión. Lávela por cinco minutos.
- Apague el motor y déjelo enfriar, DESPUES RETIRE TODAS LAS MANGUERAS.
- Coloque la palanca de regulación en la posición de "PARADO".



PRECAUCION: ASEGURESE QUE LA PALANCA DE REGULACION ESTE EN LA POSICION DE "PARADO" ANTES DE CONTINUAR. USTED PUEDE DAÑAR LA BOMBA SI ENCIENDE EL MOTOR SIN EL SUMINISTRO DE AGUA APROPIADO CONECTADO.

- Saque todos los líquidos de la bomba tirando de la manija de retroceso aproximadamente 6 veces. Esto debe remover la mayoría del líquido de la bomba.

NOTA: Para proteger la unidad contra temperaturas de congelamiento puede depositar líquido limpiaparabrisas dentro de la bomba vertiendo dicho líquido en una sección de 3 pies de la manguera de jardín conectada al adaptador de entrada y tirando la manija de retroceso dos veces.

- Almacene en un área limpia y seca.

MOTOR



ADVERTENCIA: NUNCA ALMACENE EL MOTOR CON COMBUSTIBLE EN EL TANQUE EN RECINTOS CUBIERTOS O ENCERRADO, LAS AREAS POREMENTE VENTILADAS DONDE LOS VAPORES PUEDAN ALCANZAR UNA LLAMA ABIERTA, CHISPA O LUZ DE PILOTO COMO EN UN HORNO, CALENTADOR DE AGUA SECADORA DE ROPA U OTRO UTENSILIO A GAS.

Es importante evitar que se formen depósitos de goma en las partes importantes del sistema de combustible tales como el carburador, filtro de combustible, manguera del combustible o tanque durante el almacenamiento. También, la experiencia indica que los combustibles mezclados con alcohol (llamados "gasohol" o usando etanol o metanol) pueden atraer la humedad la cual conlleva a la separación y formación de ácidos durante el almacenamiento. El gas ácido puede dañar el sistema del combustible de un motor en almacenamiento.

Para evitar problemas en el motor el sistema de combustible debe ser vaciado antes de almacenar por 30 días o más. Siga estas instrucciones:

Drene el Sistema de Combustible: Retire toda la gasolina del carburador y el tanque de combustible para evitar que depósitos de goma se formen en esas partes y causen posible malfuncionamiento del motor.



ADVERTENCIA: DRENE EL COMBUSTIBLE EN UN RECIPIENTE APROBADO EN RECINTO ABIERTO, LEJOS DE LLAMAS ABIERTAS. ASEGURESE QUE EL MOTOR ESTA FRIJO. NO FUME.

- Si utilizó "gasohol", haga funcionar el motor hasta que el motor se detenga por falta de combustible. Asegúrese que el suministro de agua a la entrada de la bomba esté conectado y ABIERTO.
- Estabilizador de combustible (como STA-BIL) es una alternativa aceptable para disminuir los depósitos de goma del combustible durante el almacenamiento.

Cambie el Aceite: Mientras el motor está caliente drene el aceite de la caja del cigüeñal. Vuelva a llenar con el grado recomendado.

Aceite el Centro del Cilindro: Retire la bujía y vierta aproximadamente 1/2 onza (15ml) de aceite para motor en el cilindro. Cubra el orificio de la bujía con un trapo. Haga girar para distribuir el aceite.



PRECAUCION: EVITE EL ROCIADO DEL ORIFICIO DE LA BUJIA CUANDO GIRE EL MOTOR LENTAMENTE.

- Instale la bujía. No conecte el cable de la bujía.

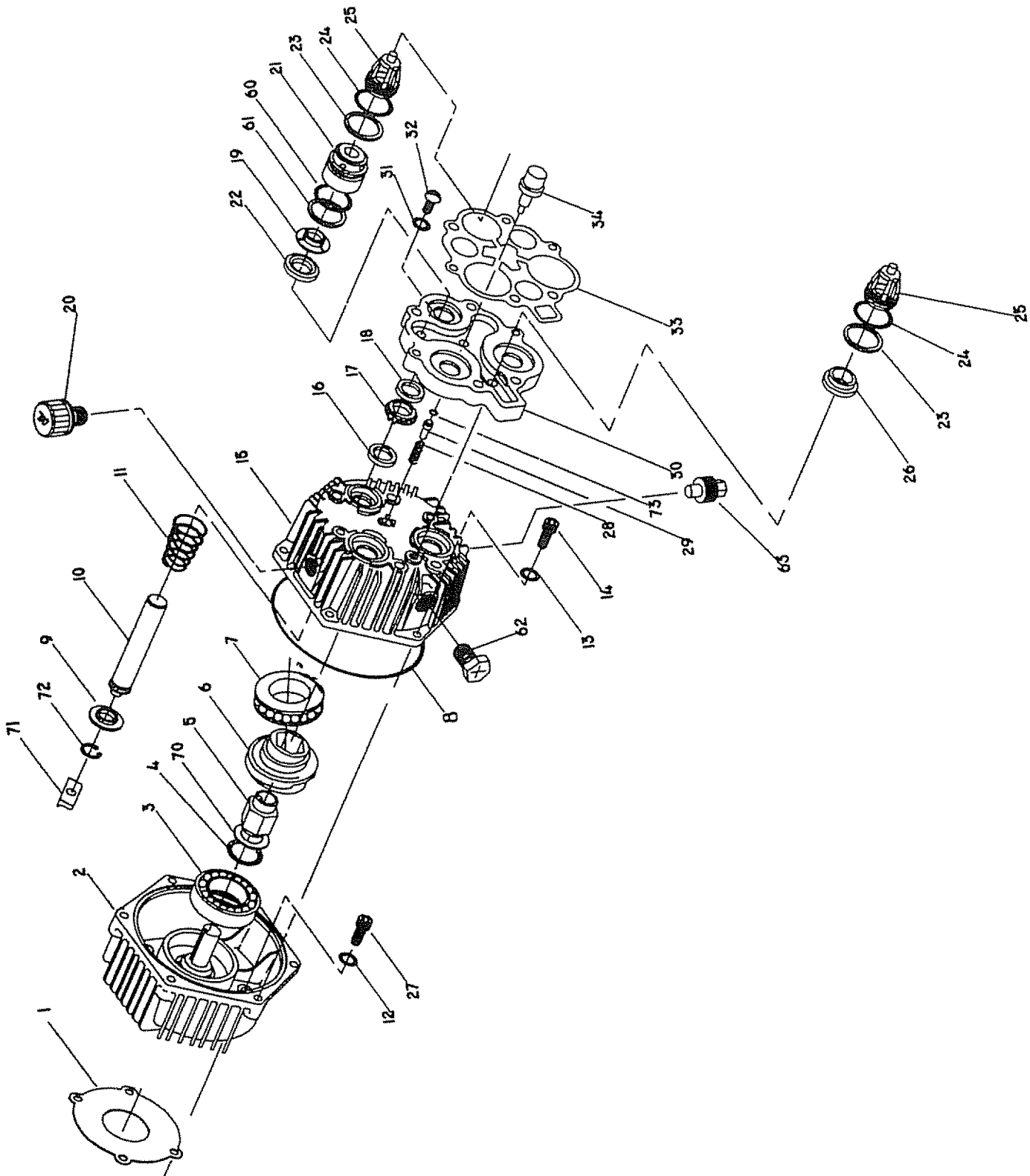
OTROS

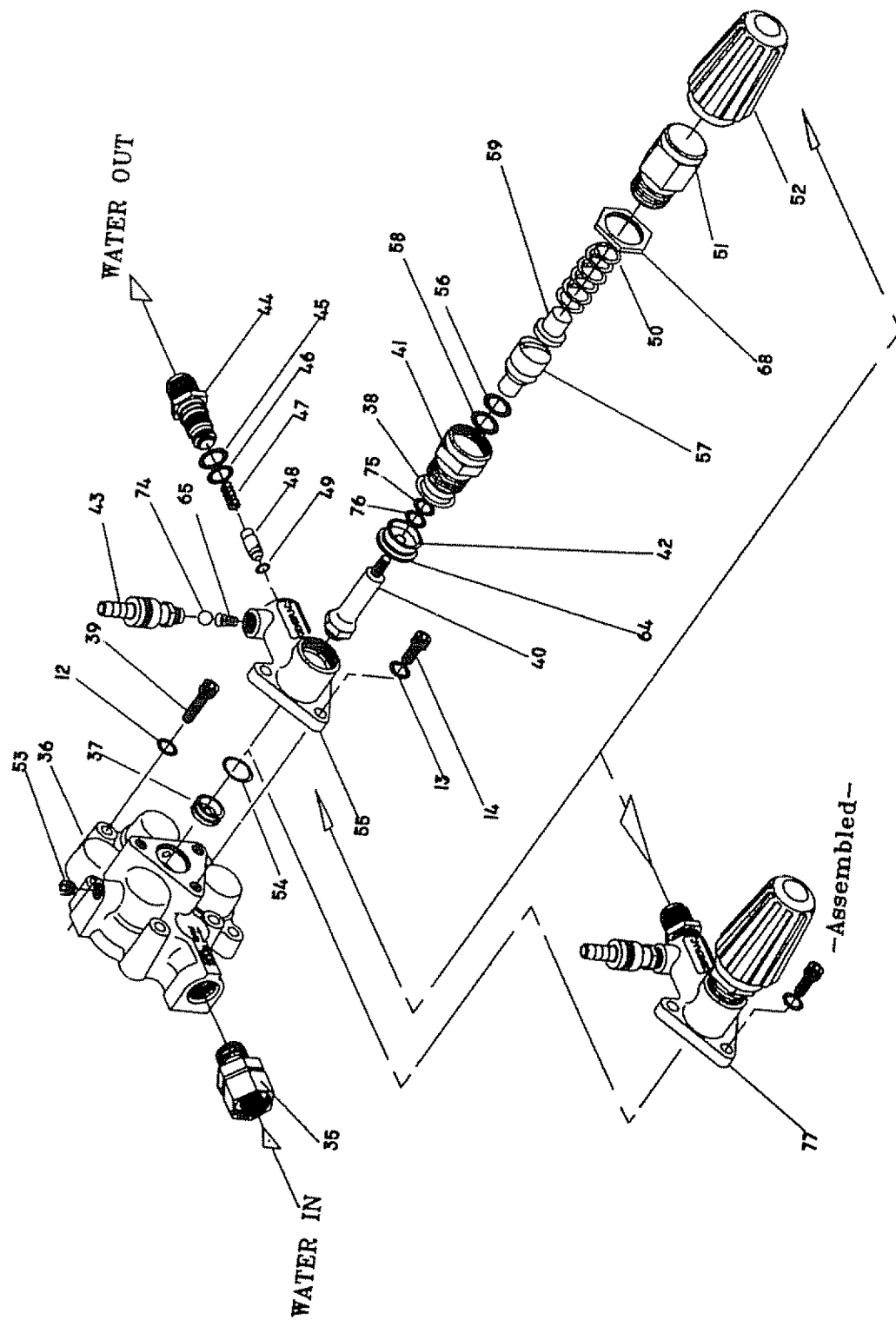
- No almacene gasolina de una estación a otra.
- Reemplace su caneca de gasolina si su caneca comienza a oxidarse. Oxido y/o suciedad en su gasolina causará problemas.
- Si es posible, almacene su unidad en recinto cerrado y cubrala para darle protección contra el polvo y la suciedad.
- Cubra su unidad con una cubierta protectora indicada que no retenga humedad. No use plástico. El plástico no respira, lo cual permite que se forme condensación y causará la oxidación de su unidad.

IMPORTANTE: NUNCA CUBRA SU MAQUINA LAVADORA A PRESION MIENTRAS EL MOTOR Y LAS AREAS DE ESCAPE ESTAN CALIENTES.

DIAGNOSTICO DE AVERIAS

PROBLEMA	CAUSA	CORRECCION
La bomba tiene los siguientes problemas: no produce presión, presión inadecuada, vibra, pérdida de presión, volumen bajo de agua.	<ol style="list-style-type: none"> 1. La embocadura está en el modo de baja presión. 2. Presión del regulador baja. 3. La entrada de agua está obstruida. 4. Suministro de agua inadecuado. 5. La manguera de entrada está doblada o con fugas. 6. El colador de la manguera de entrada está obstruido. 7. La línea de detergente no está sumergida. 8. El suministro de agua está sobre 140°F. 9. La manguera de salida está obstruida o tiene fugas. 10. La pistola tiene fuga. 11. La embocadura está obstruida. 12. La bomba es defectuosa. 	<ol style="list-style-type: none"> 1. Empuje la embocadura hacia atrás para el modo de alta presión. 2. Ajuste el regulador al valor deseado. 3. Limpie la entrada. 4. Proporcione el flujo de agua adecuado. 5. Enderece la manguera de entrada, tape la fuga. 6. Revise y limpie el colador de la manguera de entrada. 7. Sumerja la línea de detergente. 8. Proporcione un suministro de agua más frío. 9. Elimine las obstrucciones de la manguera de salida. 10. Reemplace la pistola. 11. Limpie la embocadura. 12. Póngase en contacto con el Departamento de Servicio Sears.
<p>El detergente no se mezcla con el rociado.</p> <p>El motor funciona bien sin carga pero se inunda.</p>	<ol style="list-style-type: none"> 1. La línea de detergente no está sumergida. 2. El filtro de químicos está obstruido. 3. La embocadura está en el modo de filtro/detergente. <p>La velocidad del motor es muy lenta.</p>	<ol style="list-style-type: none"> 1. Inserte la línea de químico dentro del detergente. 2. Limpie o reemplace la línea de alta presión. 3. Empuje la embocadura hacia adelante al modo de baja presión. <p>Póngase en contacto con el Departamento de Servicio Sears.</p>
El motor no se enciende; o se enciende y funciona mal	<ol style="list-style-type: none"> 1. Depurador de aire sucio. 2. Sin gasolina. 3. Gasolina vieja. 4. Cable de la bujía no conectado a la misma. 5. Bujía dañada. 6. Agua en la gasolina. 7. Cebado excesivo. 8. Mezcla de combustible excesivamente rica. 9. Válvula de entrada atascada en abierto o cerrado. 10. El motor ha perdido compresión. 	<ol style="list-style-type: none"> 1. Limpie o reemplace el depurador de aire. 2. Llene el tanque de combustible. 3. Drene el tanque de gasolina; llénelo con combustible fresco. 4. Conecte el cable a la bujía. 5. Reemplace la bujía. 6. Drene el tanque de gasolina; llénelo con combustible fresco. 7. Abra por completo el cebador y haga girar el motor. 8. Póngase en contacto con el Departamento de Servicio Sears. 9. Póngase en contacto con el Departamento de Servicio Sears. 10. Póngase en contacto con el Departamento de Servicio Sears.
El motor se apaga durante el funcionamiento	<ol style="list-style-type: none"> 1. Sin gasolina 2. Nivel de aceite bajo. 	<ol style="list-style-type: none"> 1. Llene el tanque de combustible. 2. Llene la caja del cigüeñal al nivel apropiado.
Le falta fuerza al motor.	Filtro de aire sucio.	Reemplace el filtro de aire.
El motor cambia de ritmo.	<ol style="list-style-type: none"> 1. El cebador es abierto muy rápido. 2. El carburador está funcionando con 	<ol style="list-style-type: none"> 1. Mueva el cebador a un posición intermedia hasta que el motor funcione suavemente. 2. Ajuste el carburador.

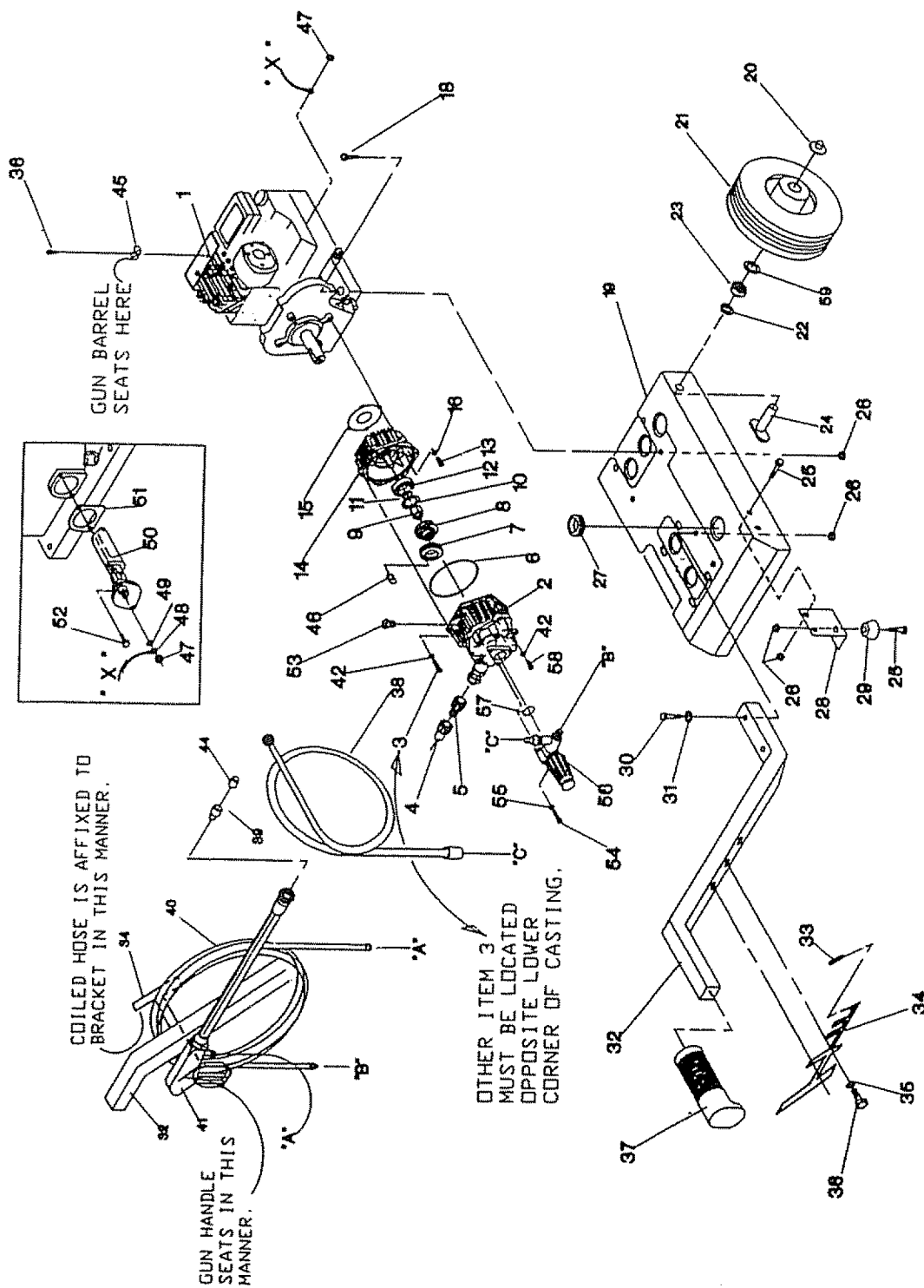




PARA LISTE DE PARTES VEA

LA PAGINA 21

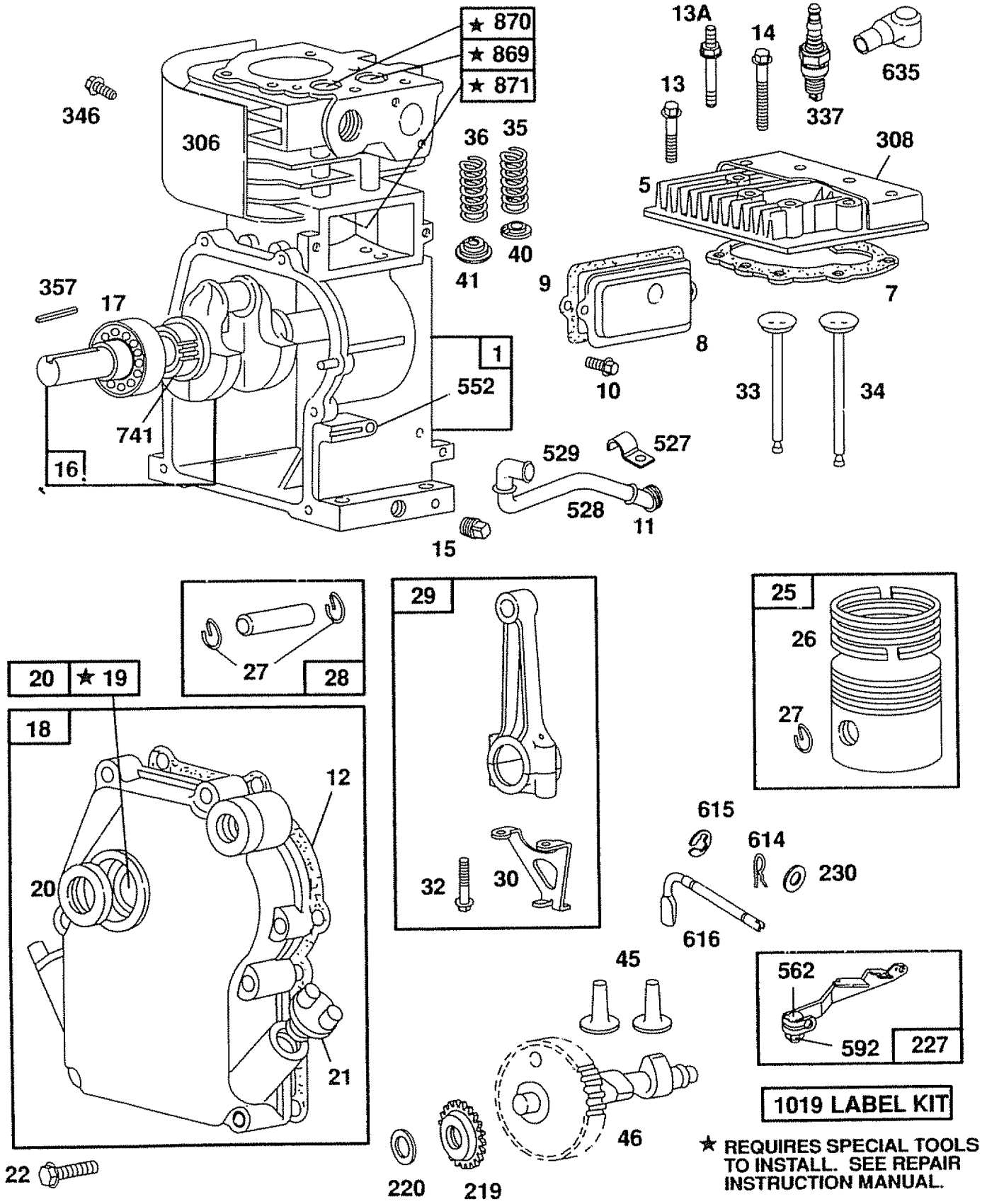
VERSION EN INGLES

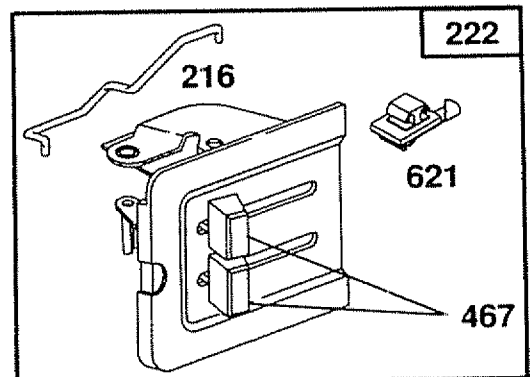
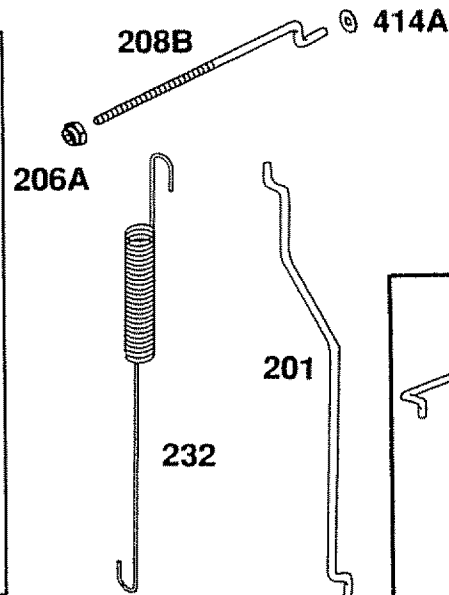
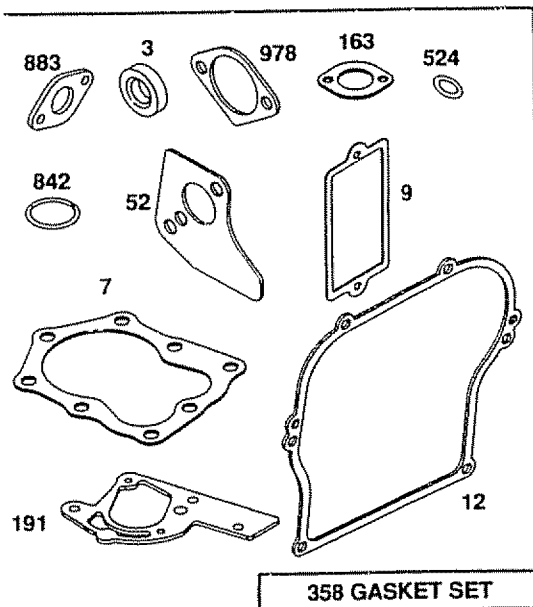
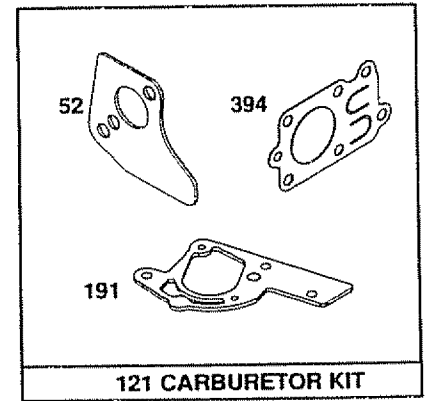
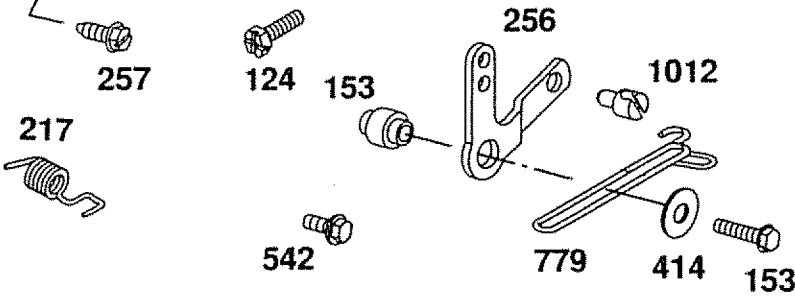
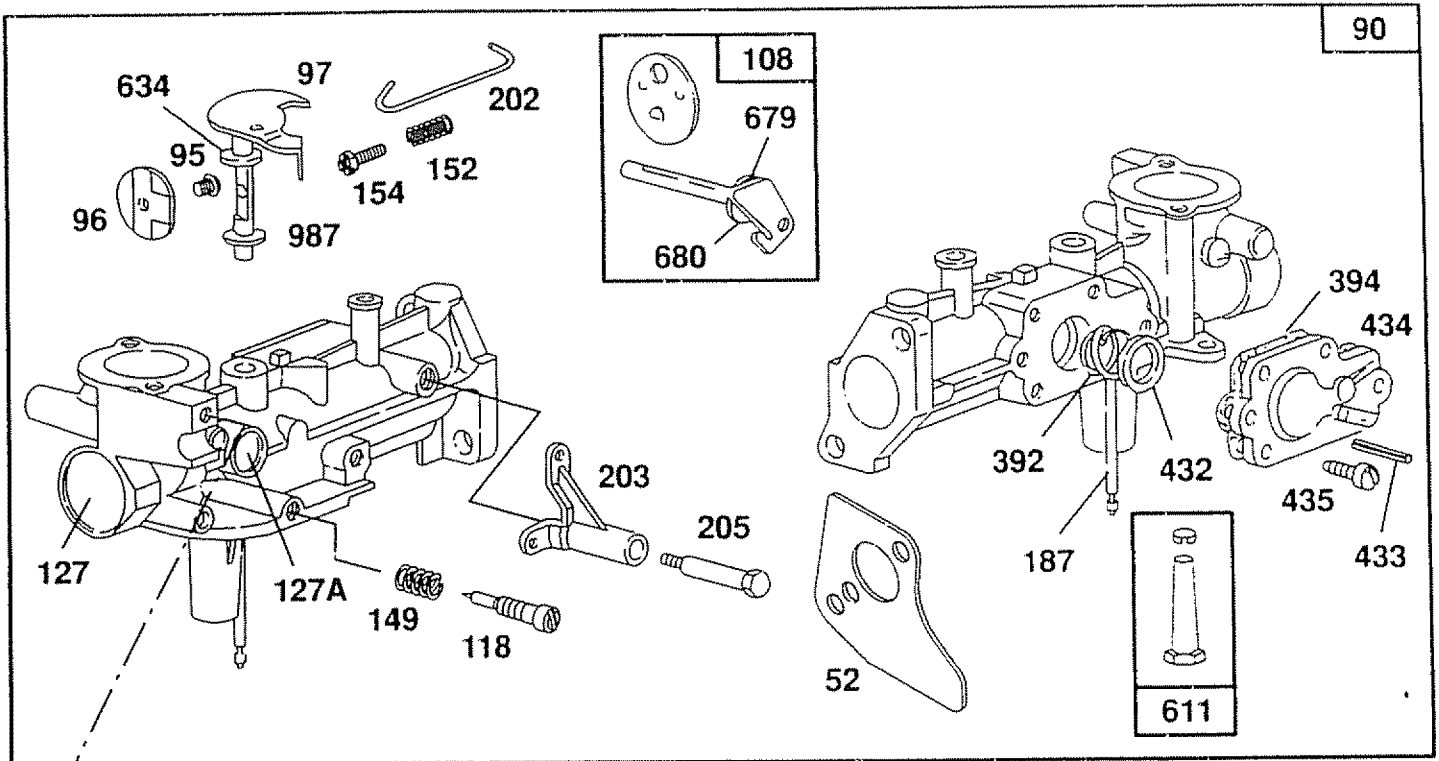


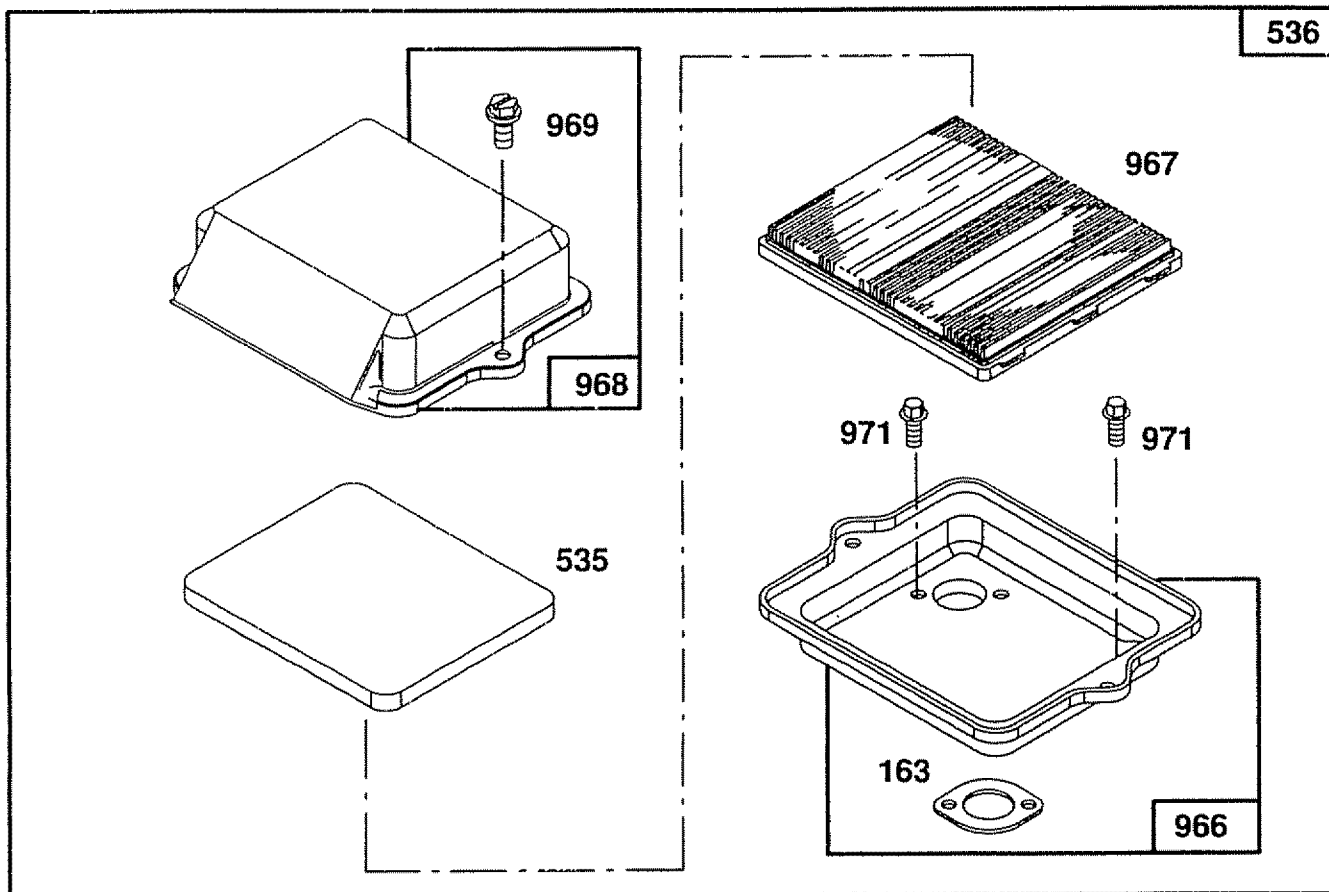
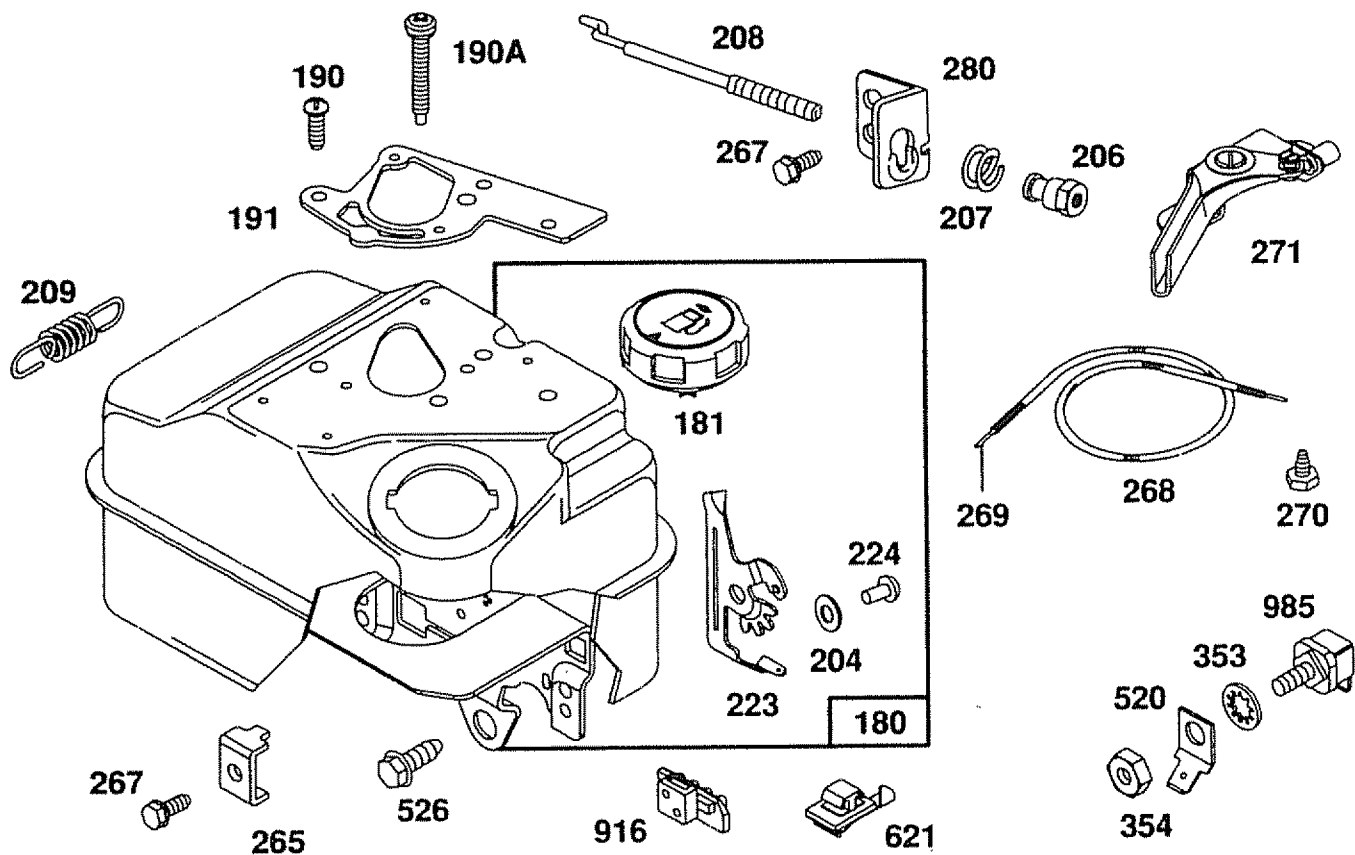
PARA LISTE DE PARTES VEA

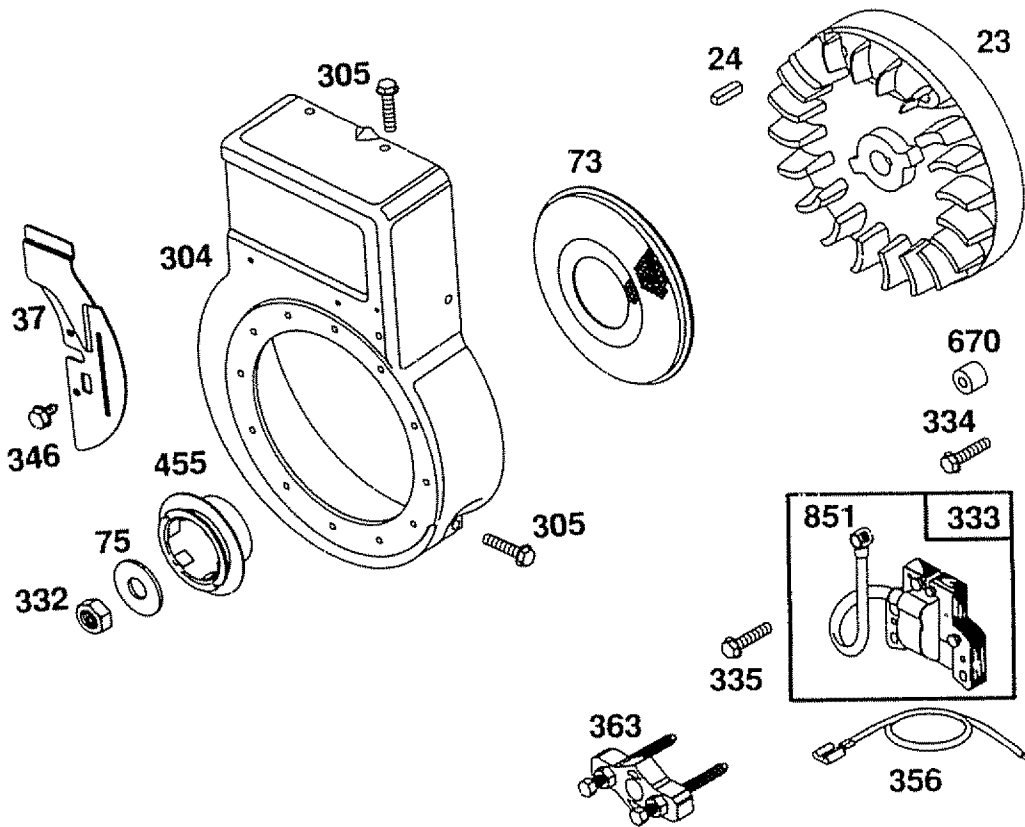
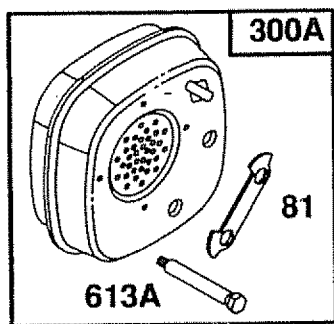
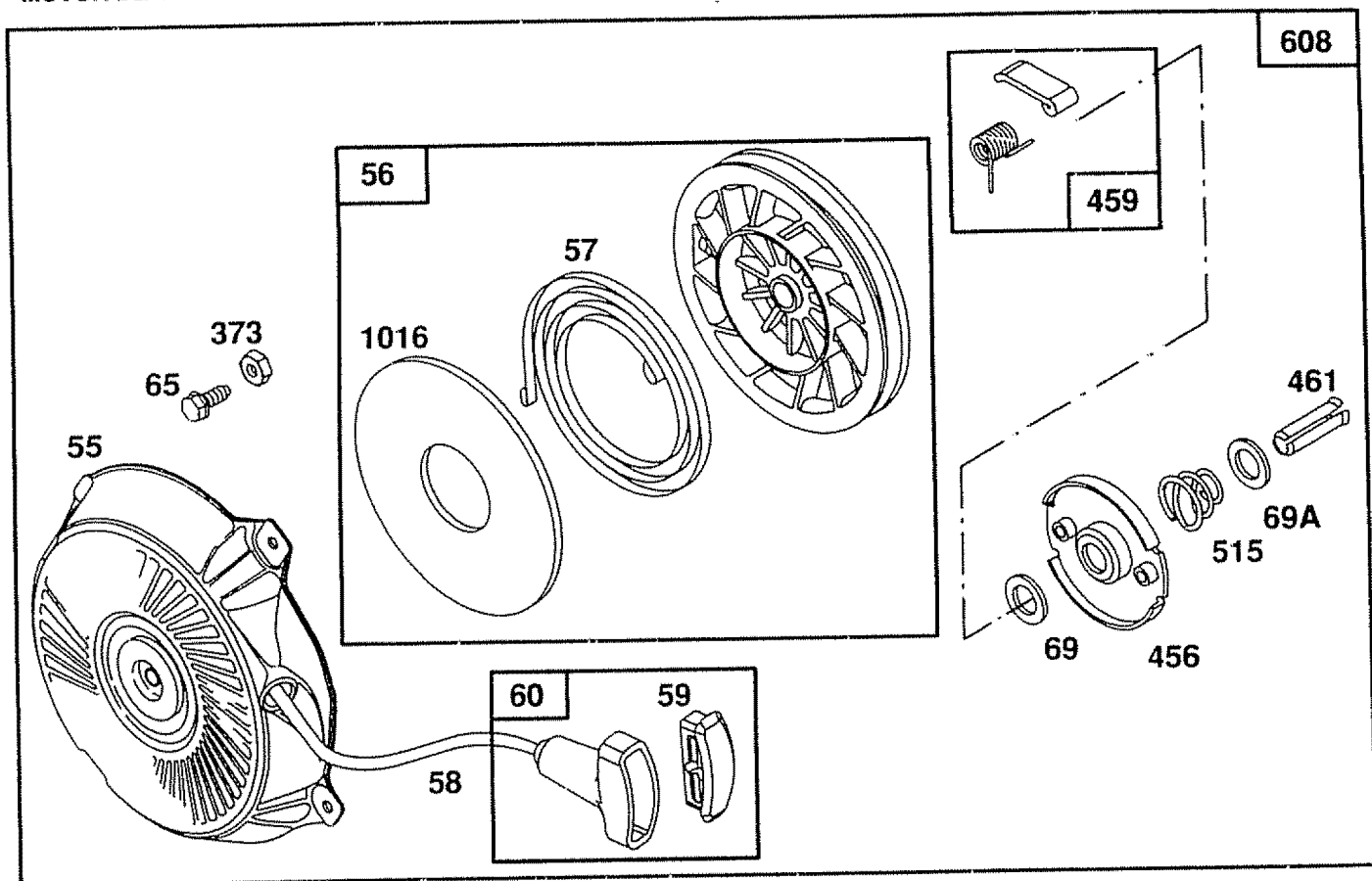
LA PAGINA 23

VERSION EN INGLES









PARA LISTE DE PARTES VEA

LAS PAGINAS 28-29

VERSION EN INGLES

GARANTIA COMPLETA DE UN AÑO DE LA MAQUINA LAVADORA PRESION CRAFTSMAN

Por un año a partir de la fecha de compra, cuando esta Máquina Lavadora de Alta Presión Craftsman sea mantenida y operada de acuerdo con las instrucciones del manual del propietario, Sears reparará, libre de cargos, cualquier defecto en el material y la mano de obra.

Si esta máquina lavadora es utilizada para propósitos comerciales esta garantía se aplicará por únicamente 90 días a partir de la fecha de compra. Si esta máquina lavadora a presión es utilizada para propósitos de alquiler, esta garantía se aplicará por únicamente 30 días después de la fecha de compra.

GARANTIA COMPLETA DE DOS AÑOS DE LA MOTOR DE GASOLINA

Por dos años a partir de la fecha de compra, cuando esta Motor de Gasolina sea mantenida y operada de acuerdo con las instrucciones del manual del propietario, Sears reparará, libre de cargos, cualquier defecto en el material y la mano de obra.

Si esta motor es utilizada para propósitos comerciales esta garantía se aplicará por únicamente un año a partir de la fecha de compra. Si esta máquina lavadora a presión es utilizada para propósitos de alquiler, esta garantía se aplicará por únicamente 30 días después de la fecha de compra.

Esta garantía no cubre:

- Elementos deteriorables
- Reparaciones necesarias debido a abuso o negligencia del operador, incluyendo el eje de la manivela y el incorrecto mantenimiento del equipo por no seguir las instrucciones contenidas en el manual del usuario.

EL SERVICIO DE GARANTIA SE LLEVA A CABO DEVOLVIENDO LA MAQUINA LAVADORA DE ALTA PRESION A CENTRO/DEPARTAMENTO DE SERVICIO SEARS MAS CERCANO A TRAVES DE LOS ESTADOS UNIDOS. Esta garantía le da derechos legales específicos y usted también podría tener otros derechos, los cuales varían de estado a estado.

SEARS, ROEBUCK AND CO , D/817 WA, Hoffman Estates, IL 60179

SEARS

MANUAL DEL PROPIETARIO

MODEL NO.

580.751500

SI NECESITA REPARACIONES O PARTES

PARA SERVICIO DE
REPARACION LLAME A
ESTE NUMERO DE LLAMADA
GRATUITA

1-800-4•REPAIR

(1-800-473-7247)

PARA INFORMACION ACERCA
DE PARTES DE RECAMBIO Y
ORDENES, LLAME A ESTE NU-
MERO DE LLAMADA GRATUITA:

1-800-FON-PART

(1-800-366-7278)

CRAFTSMAN

MAQUINA LAVADORA DE ALTA PRESION DE ALTA PRESION DES 5 CABALLOS DE FUERZA A 1800 PSI

Cada Máquina Lavadora de Alta Presión posee su propio número de modelo. Cada motor tiene su propio número de modelo.

El número de modelo de su máquina lavadora de presión será encontrado en una etiqueta adherida a la unidad.

El número de modelo del motor será encontrado en la Caja del Soplador del motor cerca de la bujía.

Todas las partes enlistadas aquí pueden ser ordenadas a través de los Centros de Servicio de Sears, Roebuck and Co. y la mayoría de las Tiendas de Venta al Detel.

APORTE SIEMPRE LA SIGUIENTE INFORMACION CUANDO ESTE ORDENANDO REPUESTOS:

- PRODUCTO — MAQUINA LAVADORA DE ALTA PRESION
- NUMERO DE MODELO — 580.751500
- NO. DEL MODELO DEL MOTOR — 133212-0159-01
- NUMERO DE LA PARTE
- DESCRIPCION DE LA PARTE

A su mercancía de Sears se le ha añadido valor debido a que Sears tiene unidades de servicio en toda la nación equipadas con técnicos entrenados por Sears...técnicos profesionales entrenados específicamente en los productos de Sears, poseyendo las partes, la herramientas y los equipos necesarios para asegurarse que vamos a satisfacer nuestro compromiso con usted, le damos servicio a lo que vendemos.

SEARS, ROEBUCK and CO., Hoffman Estates, IL 60179 U.S.A.