

Operators Manual



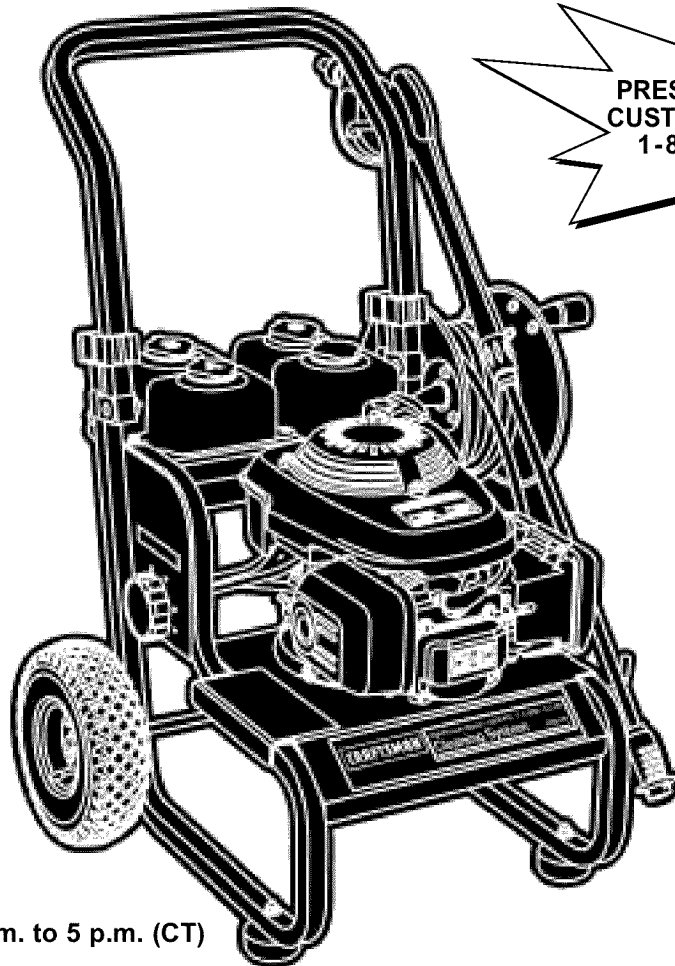
5.5 HORSEPOWER

2400 PSI

2.2 GPM

HIGH PRESSURE WASHER CLEANING SYSTEM

Model No. 580.768350



PRESSURE WASHER
CUSTOMER HELPLINE
1-800-222-3136

HOURS: Mon. - Fri. 8 a.m. to 5 p.m. (CT)

CAUTION: Before using this product,
read this manual and follow all Safety
Rules and Operating Instructions.

- Safety
- Assembly
- Operation
- Maintenance
- Parts
- Español

SEARS, ROEBUCK and CO., Hoffman Estates, IL 60179 U.S.A.
Visit our Craftsman website: www.sears.com/craftsman

TABLE OF CONTENTS

WARRANTY	2	STORAGE	15
SAFETY RULES	2-3	TROUBLESHOOTING	16
ASSEMBLY	4-6	REPLACEMENT PARTS	18-27
OPERATION	7-10	EMISSION CONTROL WARRANTY	28
MAINTENANCE	11-14	ESPAÑOL	29-47
SPECIFICATIONS	11	HOW TO ORDER PARTS	BACK PAGE

WARRANTY

LIMITED WARRANTY ON CRAFTSMAN HIGH PRESSURE WASHER

For one year from the date of purchase, when this Craftsman pressure washer is maintained and operated according to the instructions in the owner's manual, Sears will repair, free of charge, any defect in material and workmanship.

If this washer is used for commercial purposes, this warranty applies for only 90 days from the date of purchase. If this high pressure washer is used for rental purposes, this warranty applies for only 30 days after date of purchase.

This warranty does not cover:

- Expendable items such as spark plugs or air filters, which become worn during normal use.
- Repairs necessary because of operator abuse or negligence, including damage resulting from no water being supplied to pump or failure to maintain the equipment according to the instructions contained in the owner's manual.



Warranty service is available by returning the high pressure washer to the nearest Sears service center or dealer in the United States.


This warranty gives you specific legal rights and you may also have other rights, which vary from state to state.


Sears, Roebuck and Co., Dept. 817WA, Hoffman Estates, IL 60179


SAFETY RULES

 **THIS IS THE SAFETY ALERT SYMBOL. IT IS USED TO ALERT YOU TO POTENTIAL PERSONAL INJURY HAZARDS. OBEY ALL SAFETY MESSAGES THAT FOLLOW THIS SYMBOL TO AVOID POSSIBLE INJURY OR DEATH.**

 **WARNING:** 
The engine exhaust from this product contains chemicals known to the State of California to cause cancer, birth defects, or other reproductive harm.

 **CAUTION!** When setting up, transporting, adjusting or making repairs to your high pressure washer, always disconnect the spark plug wire from the spark plug and place the wire where it cannot contact spark plug.

 **DANGER!** Engine exhaust gases contain DEADLY carbon monoxide gas. This dangerous gas, if breathed in sufficient concentrations, can cause unconsciousness or even death. Operate this equipment only in the open air where adequate ventilation is available.

 **WARNING!** Gasoline is highly FLAMMABLE and its vapors are EXPLOSIVE. **Do Not** permit smoking, open flames, sparks or heat in the vicinity while handling gasoline. Avoid spilling gasoline on a hot engine. Allow unit to cool before refueling. Comply with all laws regulating storage and handling of gasoline.

Read this manual carefully and become familiar with your pressure washer. Know its applications, its limitations, and any hazards involved.

- Locate this pressure washer in areas away from combustible materials, combustible fumes or dust.
- The high pressure equipment is designed to be used with Sears authorized parts **ONLY**. If you use this equipment with parts that do not comply with minimum specifications, the user assumes all risks and liabilities.

SAFETY RULES

- Some chemicals or detergents may be harmful if inhaled or ingested, causing severe nausea, fainting or poisoning. The harmful elements may cause property damage or severe injury.
- **Do Not** allow CHILDREN to operate the pressure washer at any time.
- Operate engine only at governed speed. Running the engine at excessive speeds increases the hazard of personal injury. **Do Not** tamper with parts which may increase or decrease the governed speed.
- **Do Not** wear loose clothing, jewelry or anything that may be caught in the starter or other rotating parts.
- Before starting the pressure washer in cold weather, check all parts of the equipment and be sure ice has not formed there.
- **Never** use a spray gun which does not have a trigger lock or trigger guard in place and in working order.
- Keep the hose connected to machine or the spray gun while the system is pressurized. Disconnecting the hose while the unit is pressurized is dangerous.
- **Never** operate units with broken or missing parts, or without protective housing or covers.
- Check the fuel system for leaks or signs of deterioration, such as chafed or spongy hose, loose or missing clamps, or damaged tank or cap. Correct all defects before operating the pressure washer.
- **Do Not** spray flammable liquids.
- Use a respirator or mask whenever there is a chance that vapors may be inhaled. Read all instructions with mask so you are certain the mask will provide the necessary protection against inhaling harmful vapors.
- **Never** aim the spray gun at people, animals or plants. The high pressure stream of water that this equipment produces can pierce skin and its underlying tissues, leading to serious injury and possible amputation.
- **Never** allow any part of the body to come in contact with the fluid stream. **Do Not** come in contact with a fluid stream created by a leak in the high pressure hose.
- Always wear eye protection when you use this equipment or when you are in the vicinity where the equipment is in use.
- High pressure spray can cause paint chips or other particles to become airborne.
- **Do Not** operate the pressure washer above the rated pressure.
- **Never** move the machine by pulling on the high pressure hose. Use the handle provided on the unit.
- Always be certain the spray gun, nozzles and accessories are correctly attached.
- **Do Not** secure the spray gun in the open position.
- High pressure spray may damage fragile items including glass. **Do Not** point spray gun at glass when in the jet spray mode.
- Hold the spray gun firmly in your hand before you start the unit. Failure to do so could result in an injury from a whipping spray gun. **Do Not** leave the spray gun unattended while the machine is running.
- The cleaning area should have adequate slopes and drainage to reduce the possibility of a fall due to slippery surfaces.
- Keep water spray away from electric wiring or fatal electric shock may result.
- **Do Not** by-pass any safety device on this machine.
- The muffler and engine heat up during operation and remain hot immediately after shutting it down. Avoid contact with a hot muffler or engine as you could be severely burned.
- Operate and store this unit on a stable surface.
- High pressure hose can develop leaks from wear, kinking, abuse, etc. Water spraying from a leak is capable of injecting material into skin. Inspect hose each time before using it. Check all hoses for cuts, leaks, abrasions or bulging of cover, or damage or movement of couplings. If any of these conditions exist, replace hose immediately. **Never** repair high pressure hose. Replace it with another hose that exceeds maximum pressure rating of your unit.
- Always store cleaning system with the Dial-a-Cleaner™ knob in the "OFF" position.
- The muffler and air cleaner must be installed and in good condition before operating the pressure washer. These components act as spark arresters if the engine backfires.

In the State of California a spark arrester is required by law (Section 4442 of the California Public Resources Code). Other states may have similar laws. Federal laws apply on federal lands.

NOTE: If you equip the muffler with a spark arrester, it must be maintained in effective working order. You can order a spark arrester through your authorized Sears service dealer.

ASSEMBLY

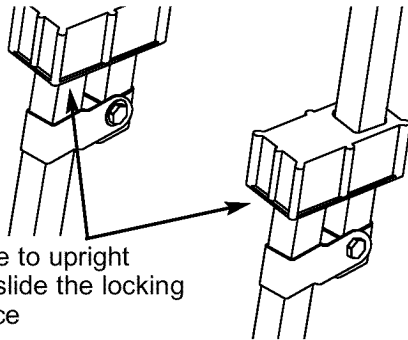
Your cleaning system requires some assembly and is ready for use only after it has been properly serviced with the recommended oil and fuel.

If you have any problems with the assembly of your pressure washer, please call the pressure washer helpline at 1-800-222-3136.

IMPORTANT: Any attempt to run the engine before it has been serviced with the recommended oil will result in an engine failure.

REMOVE PRESSURE WASHER FROM CARTON

- Open carton and slice two corners opposite guide handle from top to bottom so the panel can be folded down flat.
- Remove hose reel box, fillers, and parts box shipped with your cleaning system.
- Roll the cleaning system out the open end of the carton.
- Raise guide handle, secure in place.



- Check carton for additional loose parts.

CARTON CONTENTS

Check all contents. If any parts are missing or damaged, call the pressure washer helpline at 1-800-222-3136.

- Main unit — cleaning system with wheels, chemical tanks, guide handle
- Hose reel components
- High pressure hose
- Parts box (which includes items listed below)
 - Spray gun
 - Nozzle extension with adjustable nozzle
 - Engine oil
 - Three-pack of chemical concentrates
 - Owner's manual
 - Nozzle cleaning kit
 - "O"-ring kit
 - Tank labels
 - Quick connect fitting

Become familiar with each piece before assembling the pressure washer. Check all contents against the illustration on page 7. If any parts are missing or damaged, call the pressure washer helpline at 1-800-222-3136.

ASSEMBLING YOUR CLEANING SYSTEM

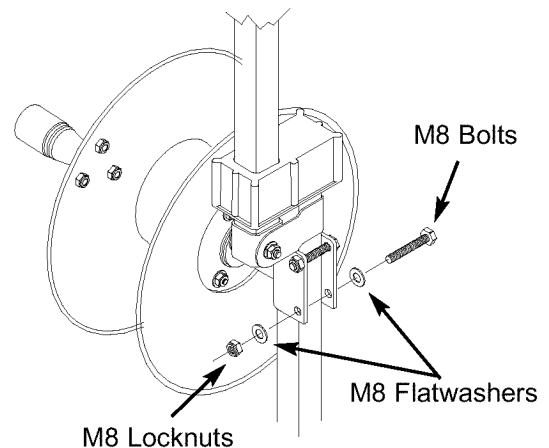
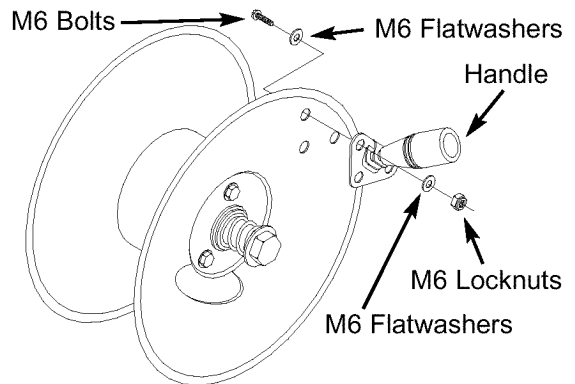
Your Craftsman high pressure cleaning system was mostly assembled at the factory. However, you will need to perform these tasks before you can operate your cleaning system:

- Attach hose reel.
- Add oil to engine crankcase.
- Add fuel to fuel tank.
- Connect high pressure hose to the spray gun and pump.
- Connect water supply to pump.

Assembling Hose Reel

IMPORTANT: You must take the hose off the reel when operating your high pressure washer. The reel is for storage purposes only.

- Attach the handle to the reel with locknuts, flatwashers, and bolts as shown.
- Secure the hose reel to the left side upright, (from behind the unit), with locknuts, flatwashers, and bolts. See page 7 for reel mounting location.

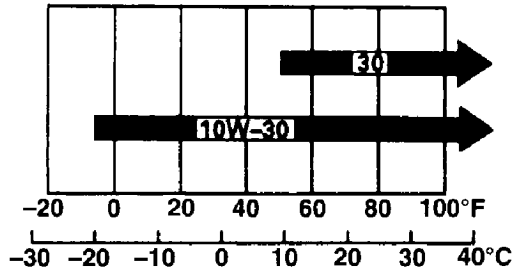


Add Engine Oil

IMPORTANT: Any attempt to crank or start the engine before it has been properly serviced with the recommended oil may result in an engine failure.

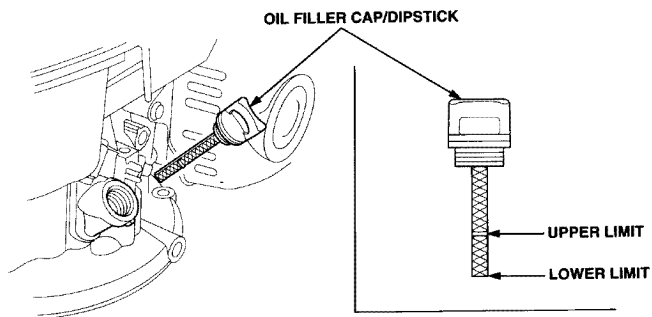
NOTE: When adding oil to the engine crankcase, use only high quality detergent oil rated with API service classification SF, or SG rated SAE 10W-30 weight.

Other viscosity oils shown in the chart may be used when the average temperature in your area is within the recommended range.



AMBIENT TEMPERATURE

- Place pressure washer on a level surface.
- Clean area around oil fill, remove oil dipstick and wipe it clean.
- Insert and remove the dipstick without screwing it into the filler neck.



- Slowly pour oil into oil fill opening until oil reaches "**UPPER LIMIT**" mark on the dipstick. Stop occasionally to check oil level.
- If the oil level is near or below the lower limit mark on the dipstick, fill with the recommended oil to the upper limit mark. **DO NOT OVERFILL.**
- Install oil dipstick, hand tighten securely.

NOTE: Check oil often during engine break-in.

Add Gasoline

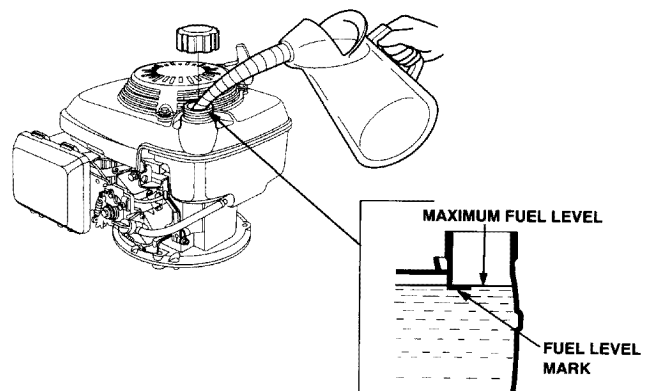


WARNING! Never fill fuel tank indoors. Never fill fuel tank when engine is running or hot. Do Not smoke when filling fuel tank.



WARNING! Never fill fuel tank completely full. Provide space for fuel expansion. Wipe away any fuel spillage from engine and equipment before starting.

- Use fresh, clean unleaded automotive gasoline and store in approved, clean, covered containers. Use clean fill funnels. Never use "stale" gasoline left over from last season or gasoline stored for long periods.
- Clean area around fuel fill cap, remove cap.
- Slowly add gasoline to fuel tank. Use a funnel to prevent spillage. Fill tank to "**Fuel Level Mark**" as shown below.

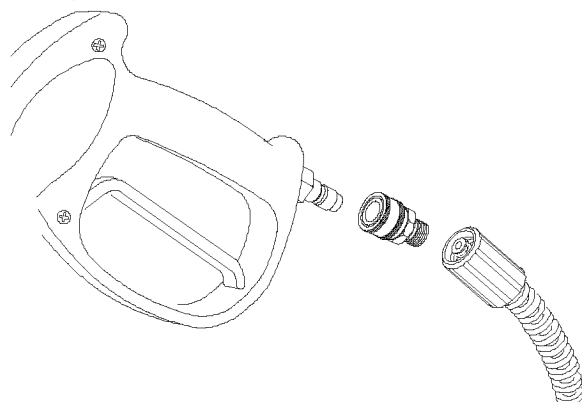


- Install fuel cap and wipe up any spilled gasoline.

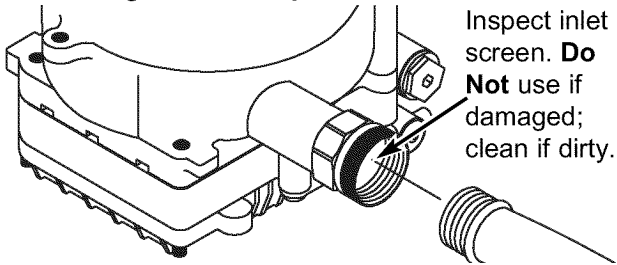
Connect Hose and Water Supply to Pump

IMPORTANT: You must assemble nozzle extension and attach all hoses before you start engine. Starting engine without all hoses connected and water supplied will damage pump.

- Attach quick connect to your high pressure hose by inserting threaded portion into hose end and hand tighten.



- Uncoil high pressure hose and attach quick connect end of hose to the base of the spray gun. Pull down on the collar of the quick connect, slide onto the spray gun and let go of collar. Pull on hose and spray gun to be sure of a tight connection.
- Before you connect your garden hose to the water inlet, inspect the inlet screen. Clean the screen if it contains debris or have it replaced if damaged. **Do Not run the pressure washer if the inlet screen is damaged. Never siphon inlet water.**



- Run water through garden hose for 30 seconds to flush it of debris.
- Connect garden hose to water inlet. Tighten by hand.

CAUTION! There MUST be at least ten feet of unrestricted garden hose between the pressure washer inlet and any flow shut off device, such as a ‘Y’ shut-off connector or other convenience-type water shut-off valve. Damage to pressure washer resulting from disregarding this warning will not be covered by the warranty.

- Turn ON the water and squeeze the trigger on the gun to purge the pump system of air and impurities.

CAUTION! Before starting the pressure washer, be sure you are wearing adequate eye protection.

CHECKLIST BEFORE STARTING ENGINE

Review the unit to ensure you have performed all of the following:

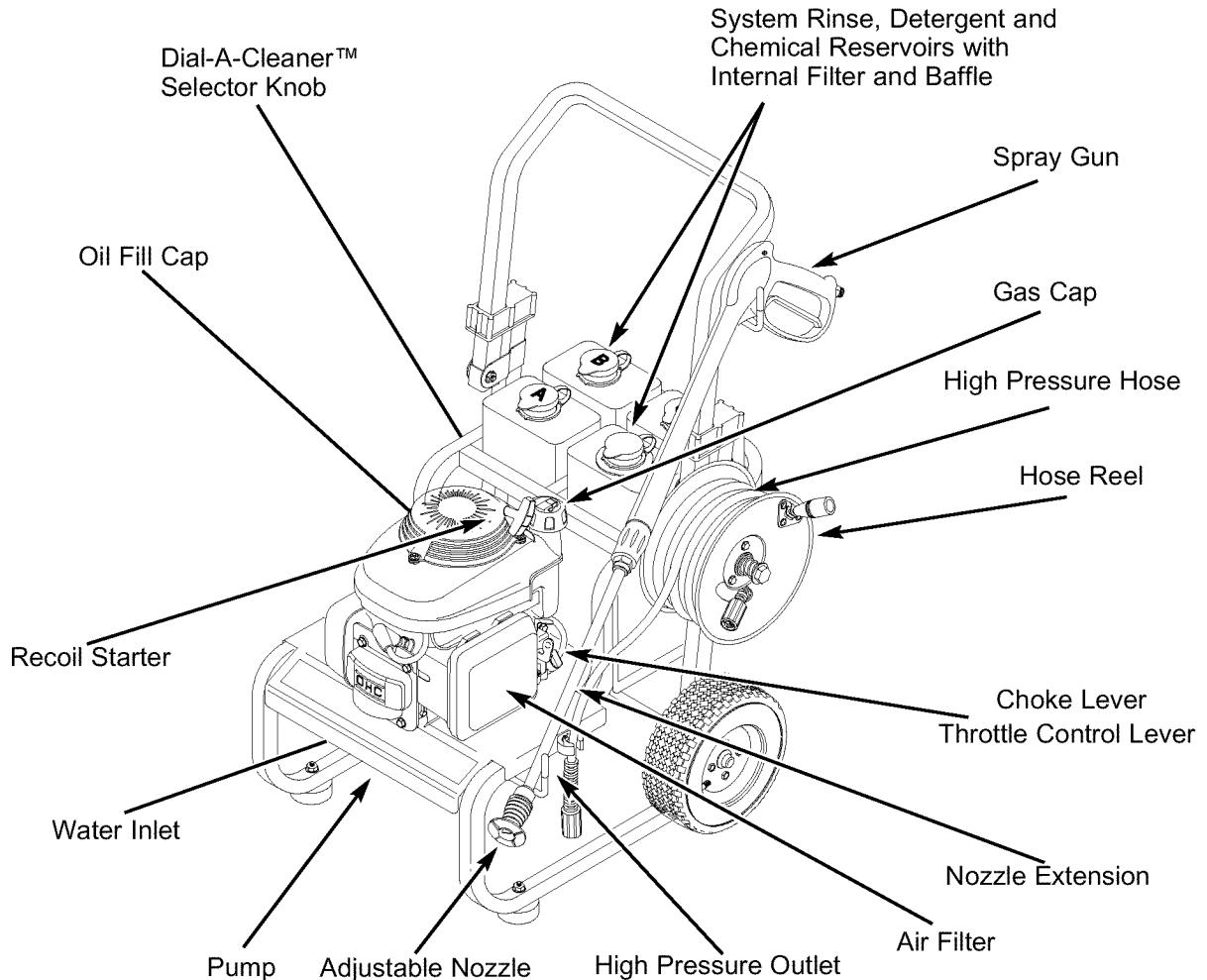
- Check that hose reel fasteners are tight.
- Check that oil has been added to proper level in engine crankcase.
- Add proper gasoline to fuel tank.
- Check for proper hose connections (high pressure and water supply) and that there are no kinks, cuts, or damage to the high pressure hose.
- Provide proper water supply (not to exceed 100°F).
- Be sure to read “Safety Rules” and “Operation” sections before using the cleaning system.

OPERATION

KNOW YOUR HIGH PRESSURE WASHER

Read this owner's manual and safety rules before operating your cleaning system.

Compare the illustrations with your cleaning system to familiarize yourself with the locations of various controls and adjustments. Save this manual for future reference.



Adjustable Nozzle – Always attached to nozzle extension. Adjust for high or low pressure; narrow or fan spray.

Air Filter – Dry type filter element limits the amount of dirt and dust that gets in the engine.

Choke Lever - Used to help start a cold engine.

Dial-A-Cleaner™ Selector Knob – Selects any one of three chemicals or the clean water system rinse.

Gas Cap – Fill engine with regular unleaded gasoline here.

High Pressure Hose – Connect one end to the spray gun and other end to the high pressure outlet.

High Pressure Outlet – Connection for high pressure hose.

Hose Reel — Used for storing hose while unit is not in use. Hose must be detached from pump and spray gun before storage.

Nozzle Extension - Attach to spray gun to use adjustable nozzle.

Oil Fill Cap – Fill engine with oil here. See page 5 for oil recommendations and filling instructions.

Pump – Develops high water pressure.

Recoil Starter – Used for starting the engine.

Spray Gun – Controls the application of water onto cleaning surface with trigger device. Includes safety latch.

System Rinse, Detergent and Chemical Reservoirs with Internal Filter and Baffle – Used to provide detergent or other chemicals to the low pressure water stream.

Throttle Control Lever – Sets engine in starting mode for recoil starter and stops running engine.

Water Inlet – Connection for garden hose.

HOW TO USE YOUR CLEANING SYSTEM

If you have any problems operating your pressure washer, please call the pressure washer helpline at **1-800-222-3136**.

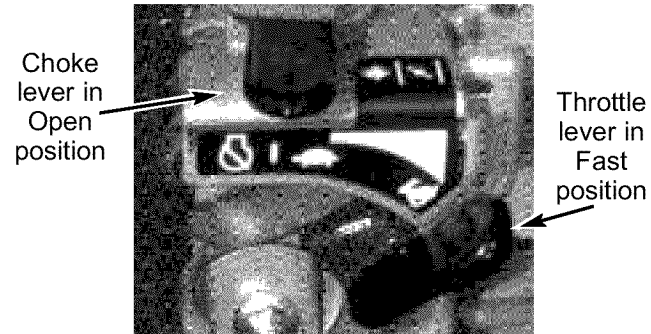
To Start Your Cleaning System

To start your engine-powered cleaning system for the first time, follow these instructions step-by-step. This starting information also applies whenever you start the engine after you have let the pressure washer sit idle for at least a day.

- Place the pressure washer in an area close enough to an outside water source capable of supplying water at a flow rate greater than 2.4 gallons per minute.
- Check that the high pressure hose is tightly connected to the spray gun and to the pump. See "Assembling Your Pressure Washer" for illustrations.
- Make sure unit is in a level position.
- Connect the garden hose to the water inlet on the pressure washer pump. **Turn on the water.**

CAUTION! Do Not run the pump without the water supply connected and turned on. You must follow this caution or the pump will be damaged.

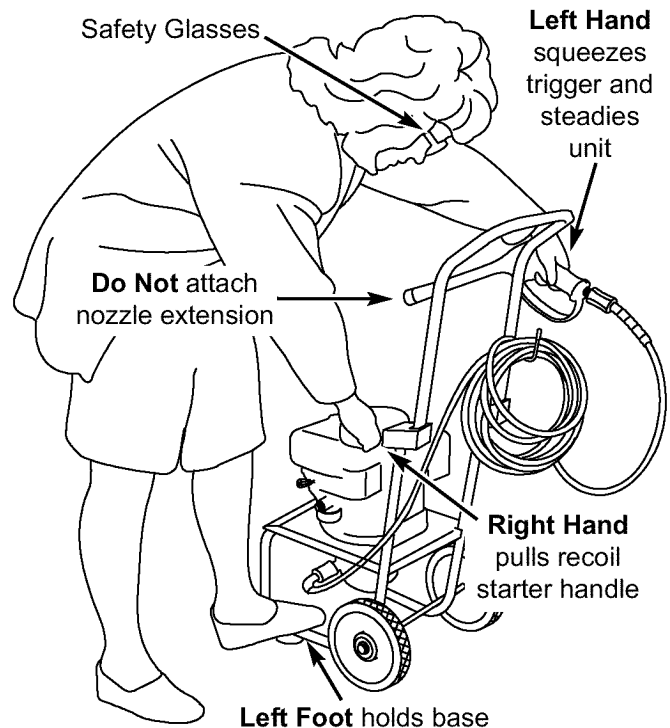
- Move the choke lever to the "**Closed**" position.



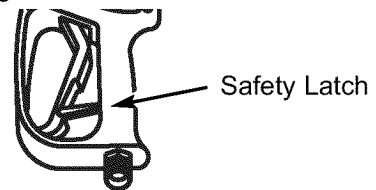
NOTE: For a warm engine, be sure the choke lever is in the "**Open**" position.

- Move the throttle lever to the "**Fast**" position, shown as a rabbit. Controls are shown in the desired operating condition.
- Rotate the fuel valve lever to the "**On**" position.
- As shown in the illustration to the right, ensure the nozzle extension is **NOT** attached to the spray gun. Note that your unit will appear slightly different from the illustration used here. Place the spray gun on the handle storage hook.
- Place your **left foot** on the unit's lower frame.
- Grasp the spray gun with your **left hand** and squeeze the trigger on the spray gun. Water will flow out of the spray gun in a thin stream. Continue to squeeze the trigger. Your left hand will also serve to steady the unit.

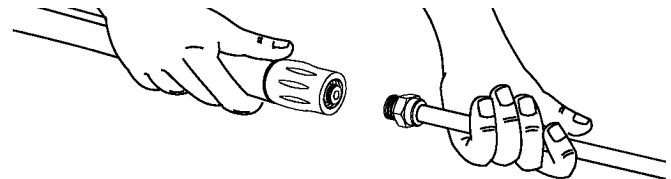
- Grasp the recoil starter handle with your **right hand**, as shown. Pull the starter handle lightly until you feel some resistance, then pull briskly.



- Return the starter grip handle slowly. **Do Not** let rope "snap back" against starter.
- If the choke lever was placed in the "**Closed**" position to start the engine, move it slowly to the "**Open**" position as the engine warms up enough to run smoothly.
- With engine running, engage the safety latch to the spray gun trigger.



- Attach nozzle extension to spray gun. Tighten by hand.



How to Stop Your Cleaning System

- Move throttle lever to "**Stop**" position.
- Rotate the fuel valve lever to the "**Off**" position.
- **Squeeze trigger on the spray gun to relieve pressure in the hose.**

NOTE: A small amount of water will squirt out when you release the pressure.

- Rotate the Dial-A-Cleaner™ selector knob to the OFF position to prevent chemical leakage.

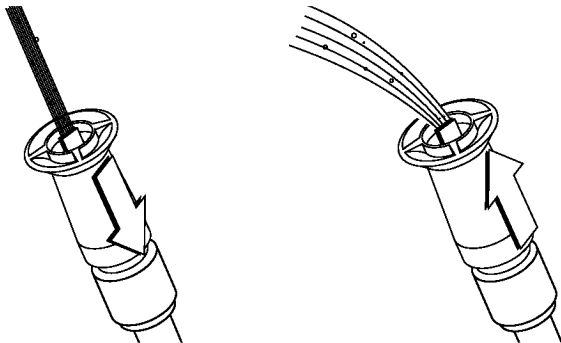
How To Use the Adjustable Nozzle

You now should know how to **START** your pressure washer and how to **STOP** it. The information in this section will tell you how to adjust the spray pattern and apply detergent or other cleaning chemicals.

WARNING! Never adjust spray pattern when spraying. Never put hands in front of nozzle to adjust spray pattern.

Your unit is equipped with an adjustable nozzle that permits you to adjust the spray pressure and the spray pattern, as follows:

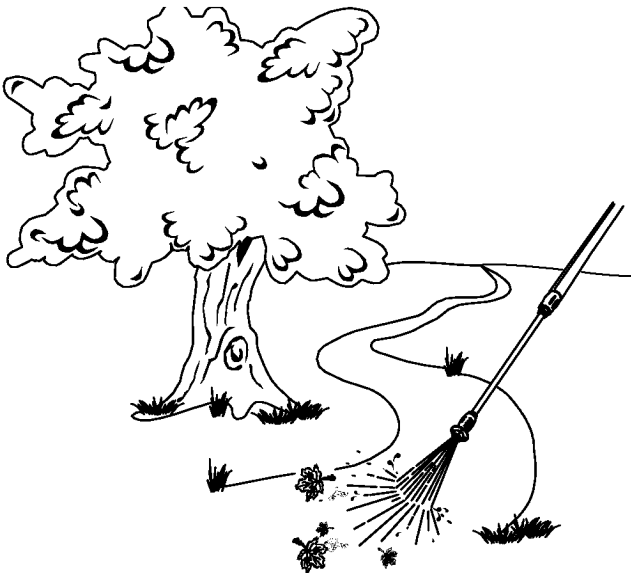
- Push the nozzle forward (backward) to adjust the spray pattern for high (low) spray pressure.



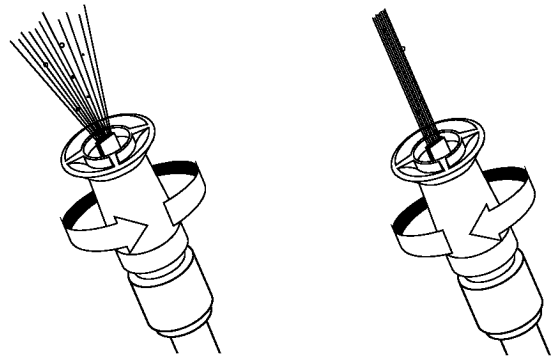
Slide nozzle backward for high pressure mode.

Slide nozzle forward for low pressure mode and detergent application.

- Point the nozzle toward the ground, disengage the safety latch, and press the trigger to test the pattern.



- Twisting the nozzle adjusts the spray pattern from a narrow pattern to a fan pattern.



Twist nozzle counter-clockwise for fan pattern.

Twist nozzle clockwise for narrow spray pattern.

- For most effective cleaning, keep the spray nozzle between 8 to 24 inches away from cleaning surface.
- If you get the spray nozzle too close, especially using high pressure mode, you may damage the surface being cleaned.
- **Do Not** get closer than 8 inches when cleaning tires.

Cleaning With The Adjustable Nozzle

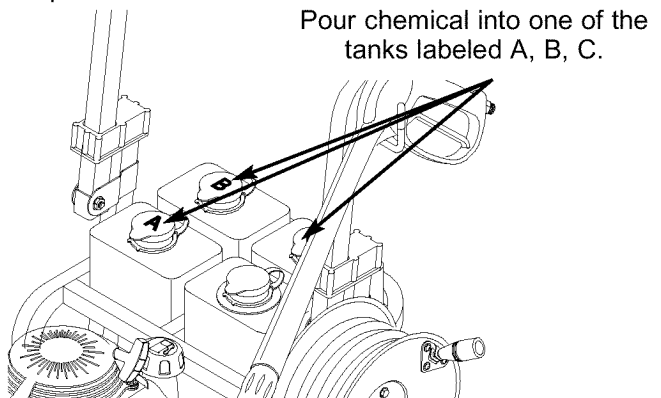
CAUTION! Before starting your cleaning system, make sure you have read and followed the instructions in the sections “Assembling your Cleaning System” and “To Start your Cleaning System”.

IMPORTANT: Use chemicals designed specifically for pressure washer cleaning systems. Household chemicals could damage the pump.

IMPORTANT: You must attach all hoses before you start the engine. Starting the engine without all the hoses connected and without the water turned ON will damage the pump.

Up to three (3) different solutions can be carried with the cleaning system at one time. To apply detergent follow these steps:

- Dilution is necessary when using the supplied chemical packets. Simply snip one corner of the plastic pouch, pour the chemical into the tank, then fill the tank with clean water. Label tanks with the provided tank labels.



- If using another chemical designed for use with pressure washers, prepare the chemical solution as required by the chemical manufacturer. Fill chemical reservoir(s) with the prepared solution as needed.
- Rotate the Dial-A-Cleaner™ selector knob to the letter corresponding to the desired reservoir.
- Push the adjustable nozzle forward to low pressure mode. **Chemical cannot be applied with nozzle in high pressure position.**
- Connect garden hose to water inlet, check that high pressure hose is connected to spray gun and pump (see page 6), and start engine.



WARNING! Be extremely careful if you must use the cleaning system from a ladder, scaffolding or any other relatively unstable location. When you press the trigger, the recoil from the initial spray could cause you to fall, or if you are too close to the cleaning surface, high pressure could cause you off a climbing apparatus.

- Start at lower portion of area to be washed and work upward, using long, even overlapping strokes.
- Allow detergent to 'soak in' (between 3-5 minutes) before washing and rinsing. Reapply as needed to prevent surface from drying.

Wash and Rinse Surface

After you have applied detergent, scour the surface with the high pressure water stream and then rinse it clean, as follows:

- Pull adjustable nozzle backward for high pressure mode. Chemical will not flow when in the high pressure mode.
- Expand the spray pattern for a more gentle rinsing action. Start at top of area to be rinsed, working down with same action as for cleaning.

CAUTION! Test a small area of the surface to be cleaned. Make sure there is no surface damage caused by the high pressure spray.

Rinse System After Every Use

It is imperative that the chemical dispensing system be rinsed after each use to prevent clogging or leaks:

- Fill the System Rinse reservoir with clean water.
- Before disconnecting the water supply, start your cleaning system.
- Push nozzle forward for low pressure mode.
- Rotate the Dial-A-Cleaner™ selector knob to the letter corresponding to the System Rinse tank. As clean rinse water is drawn through the system, continue the flow until no detergent foam is observed.

- **Rotate the Dial-A-Cleaner™ selector knob to the OFF position when finished to prevent chemical leakage.**

Siphoning

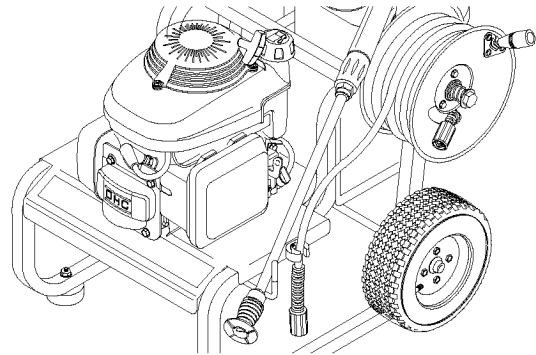
Do Not siphon standing water for your water supply. Contaminated, brackish or dirty water can damage the pump. Connect only to household water supply.

How to Use the Hose Reel

Your pressure washer is equipped with a hose reel that is designed to store your hose when unit is not in use. These instructions are for short term storage only. For long term storage see "Storage" on page 15.

After each use:

- Disconnect hose from spray gun and high pressure outlet on pump.
- Drain water from hose.
- Slide one end of the hose into the hole on the hose reel. Turn the hose reel with the handle to coil the hose onto the reel.



- Push the other end of the hose into the clip on the side of your unit.

IMPORTANT: Do Not use your pressure washer with the hose coiled onto the hose reel. The hose reel is for storage purposes only.

Tips

- **Never** use the garden hose inlet to siphon detergent or wax.
- If you hold the spray nozzle too far away from the object being cleaned, washing will not be as effective.
- Always store the cleaning system with the Dial-A-Cleaner™ selector knob in the **OFF** position.

Automatic Cool Down System (Thermal Relief)

If you run the engine on your pressure washer for 3-5 minutes without pressing the trigger on the spray gun, circulating water in the pump can reach temperatures between 140–145°F. The automatic cool down system engages at this temperature and cools the pump by discharging the warm water onto the ground, preventing internal pump damage.

MAINTENANCE

OWNER'S RESPONSIBILITIES

Follow the hourly or calendar intervals, whichever occurs first.
More frequent service is required when operating in adverse conditions noted below.

MAINTENANCE SCHEDULE <small>FILL IN DATES AS YOU COMPLETE REGULAR SERVICE</small>	HOURLY OPERATING INTERVAL				SERVICE DATES			
	<small>Before Each Use</small>	<small>Every 25 Hours or Yearly</small>	<small>Every 100 Hours or Yearly</small>	<small>Every 200 Hours or Yearly</small>				
MAINTENANCE TASK								
PRESSURE WASHER Check/clean water inlet screen on quick-connect.	X†							
Check high pressure hose.	X							
Check detergent hose.	X							
Check spray gun and assembly for leaks.	X							
Purge pump of air and contaminants.	X							
ENGINE Check oil level.	X							
Change engine oil.		X*						
Service air cleaner.			X**					
Clean spark plug.			X					
Replace spark plug				X				
Service spark arrester			X					
Prepare for storage.	Prepare unit for storage if it is to remain idle for longer than 30 days.							

† Clean if clogged. Replace if perforated or torn.

* Change oil after the first (5) operating hours and every 25 hours thereafter. Change sooner when operating under dirty or dusty conditions.

** Replace more often under dirty or dusty conditions.

PRODUCT SPECIFICATIONS

Pressure Washer Specifications

Pressure 2400 PSI
Flow Rate 2.2 GPM
Chemical Mix Use as directed
Water Supply Temperature Not to Exceed 100°F

Engine Specifications

Rated Horsepower 5.5 HP
Spark Plug
Type: BPR6ES (NGK) or
Equivalent
Set Gap To: 0.028inch (0.70mm)-
0.031inch (0.80mm)
Gasoline Capacity 1.2 Quarts
Oil
Above 50°F SAE 30
General Use SAE 10W-30

GENERAL RECOMMENDATIONS

The cleaning system warranty does not cover items that have been subjected to operator abuse or negligence. To receive full value from the warranty, operator must maintain cleaning system as instructed in this manual.

Some adjustments will need to be made periodically to properly maintain your cleaning system.

All service and adjustments should be made at least once each season. Follow the requirements in the "Maintenance Schedule" chart above.

NOTE: Once a year you should clean or replace the spark plug and replace the air filter. A new spark plug and clean air filter assure proper fuel-air mixture and help your engine run better and last longer.

BEFORE EACH USE

- Check engine oil level.
- Check water inlet screen for damage.
- Check high pressure hose for leaks.
- Check chemical tanks and filters for damage.
- Check spray gun and nozzle extension assembly for leaks.
- Purge pump of air and contaminants.

PRESSURE WASHER MAINTENANCE

Check and Clean Inlet Screen

Examine garden hose inlet screen. Clean if it is clogged or replace if it is torn.

Check High Pressure Hose

High pressure hoses can develop leaks from wear, kinking, or abuse. Inspect hose before each use. Check for cuts, leaks, abrasions, bulging of cover, or damage or movement of couplings. If any of these conditions exist, replace hose immediately.



CAUTION! Never repair a high pressure hose. Replace with hose that exceeds the maximum pressure rating of your cleaning system.

Check Chemical Reservoirs

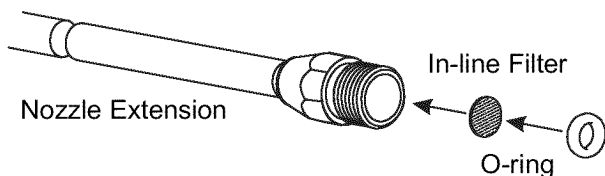
Tank covers should snap cleanly onto tank. Ensure chemical labels correctly identify tank contents. Ensure that the System Rinse tank is filled with clean water. Ensure that Dial-A-Cleaner™ selector knob rotates freely between each position. Examine the tanks and replace if the filter is clogged.

Check Gun and Nozzle extension

Examine hose connection to spray gun and make sure it is secure. Test trigger by pressing it and making sure it springs back into place when you release it. Put safety latch in UP position and test trigger. You should not be able to press trigger. Replace spray gun immediately if it fails any of these tests.

Check In-Line Filter

Refer to the illustration and service the in-line filter if it becomes clogged, as follows:



1. Detach spray gun and nozzle extension from high pressure hose. Detach nozzle extension from spray gun and remove o-ring and screen from nozzle extension. Flush the screen, spray gun, and nozzle extension with clean water to clear debris.
2. If the screen is damaged, the o-ring kit contains a replacement in-line filter screen and an o-ring. If undamaged, reuse screen.

3. Place the in-line filter screen into the threaded end of the nozzle extension. Direction does not matter. Push the screen in with the eraser end of a pencil until it rests flat at the bottom of the opening. Take care to not bend the screen.
4. Place the o-ring into the recess. Push the o-ring snugly against the in-line filter screen.
5. Assemble the nozzle extension to the spray gun, as described earlier in this manual.

Purge Pump of Air and Contaminants

To remove air from the pump, follow these steps:

- Set up the cleaning system as described in the “Assembling Your Cleaning System” and connect the water supply.
- Pull the trigger on the spray gun and hold until a steady stream of water appears.

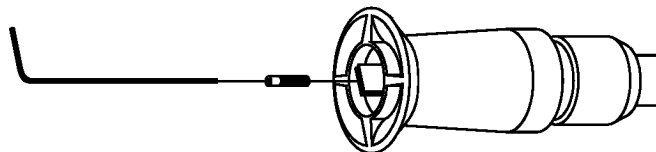
To remove contaminants from the pump, follow these steps:

- Set up the cleaning system as described in the “Assembling Your Cleaning System”, and connect the water supply.
- Remove the nozzle extension from the spray gun.
- Start the engine according to instructions in “How To Use Your Cleaning System”.
- Pull the trigger on the spray gun and hold.
- When the water supply is steady and constant, engage the safety latch and refasten the nozzle extension.

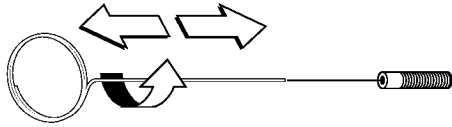
Nozzle Maintenance

A pulsing sensation felt while squeezing the spray gun trigger may be caused by excessive pump pressure. The principal cause of excessive pump pressure is a nozzle clogged or restricted with foreign materials, such as dirt, etc. To correct the problem, immediately clean the nozzle using the tools included with your pressure washer and follow these instructions:

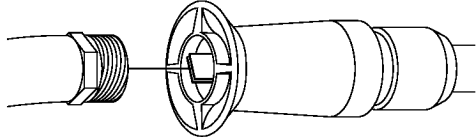
1. Shut off the engine and turn off the water supply.
2. Remove the nozzle from the end of the nozzle extension. Separate the nozzle extension from the spray gun. Twist the nozzle clockwise to the stream position. Using the supplied 2mm (5/64) allen wrench, remove the nozzle from the end of the nozzle extension.



3. Remove the in-line filter from the other end of the nozzle extension.
4. Use the wire included in the kit (or a small paper clip) to free any foreign material clogging or restricting the nozzle.



- Using a garden hose, remove additional debris by back flushing water through the nozzle extension. Back flush between 30 to 60 seconds. Turn the adjustable nozzle extension to stream spray and move the nozzle from low to high while flushing.



- Reinstall the nozzle and in-line filter into the nozzle extension. **Do Not** overtighten the nozzle with the allen wrench.
- Reconnect the nozzle extension to the spray gun.
- Reconnect the water supply, turn on the water, and start the engine.
- Test the cleaning system by operating with nozzle in the high and in the low positions.

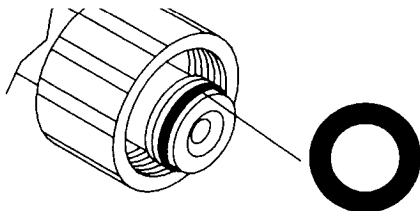
O-Ring Maintenance

Through the normal operation of your cleaning system, o-rings keep the connections of the hoses and spray gun tight and leak-free. These o-rings may become worn or damaged with use.

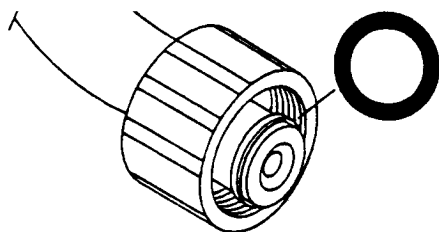
Provided with your pressure washer is an O-Ring Maintenance Kit which includes replacement o-rings, rubber washer and water inlet filter. Refer to the instruction sheet provided in the kit to service your unit's o-rings. Note that not all of the parts in the kit will be used on your unit.

Parts in the O-Ring Kit Include:

- 1 o-ring, red, (p/n B2726) for the end of the spray gun connection between spray gun and nozzle extension.

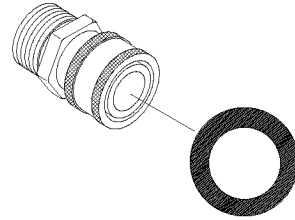


- 1 o-ring, yellow, (p/n B2264) for the end of the high pressure hose.

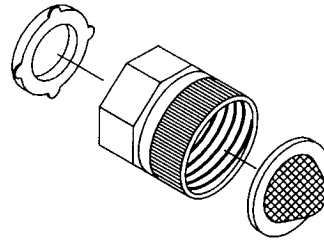


NOTE: The previous two o-rings are close in size. Please match carefully to assure proper o-ring usage.

- 1 o-ring, blue, (p/n B3065) for the inside of the hose to spray gun quick connect.



- 1 rubber washer, (p/n B2385) for the inside of the garden hose connector.



- 1 water inlet screen (p/n B2384) for the garden hose connector.

To remove a worn or damaged o-ring:

- Use a small flathead screwdriver to get underneath the o-ring and pry it off.

ENGINE MAINTENANCE

Checking Oil Level

Oil level should be checked prior to each use or at least every 5 hours of operation. Keep oil level maintained.

Changing Oil

Change engine oil after the first 5 hours and every 25 hours thereafter. If you are using your cleaning system under extremely dirty or dusty conditions, or in extremely hot weather, change oil more often.

CAUTION! Avoid prolonged or repeated skin contact with used motor oil. Used motor oil has been shown to cause skin cancer in certain laboratory animals. Thoroughly wash exposed areas with soap and water. **KEEP OUT OF REACH OF CHILDREN. DON'T POLLUTE. CONSERVE RESOURCES. RETURN USED OIL TO COLLECTION CENTERS.**

Change oil while engine is still warm from running, as follows:

- Rotate fuel valve to the "OFF" position to reduce the possibility of fuel leakage.
- Remove all gasoline from tank.
- Clean area around oil fill, remove oil dipstick and wipe it clean.
- Insert and remove the dipstick without screwing it into the filler neck.

- Tip your pressure washer to drain oil from the oil dipstick into a suitable container. When crankcase is empty, return the pressure washer to upright position. Wipe up spilled oil.
- Slowly pour oil into oil fill opening until oil reaches “UPPER LIMIT” mark on the dipstick. Stop occasionally to check oil level.
- If the oil level is near or below the lower limit mark on the dipstick, fill with the recommended oil to the upper limit mark. **DO NOT OVERFILL.**
- Install oil dipstick, hand tighten securely.
- Wipe up any remaining oil.

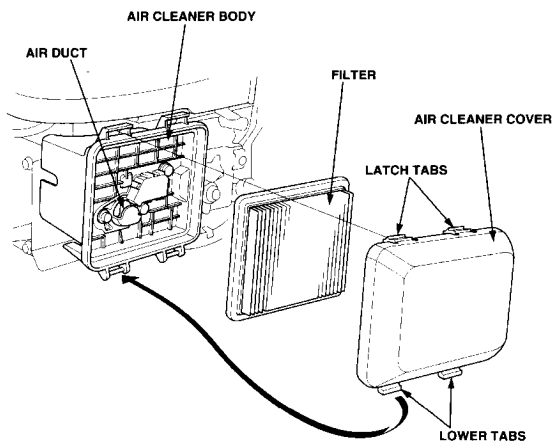
Service Air Cleaner

Your engine will not run properly and may be damaged if you run it with a dirty air cleaner.

Replace the air cleaner once every 200 hours of operation or once each year, whichever comes first. Replace more often if operating under dirty or dusty conditions. Replacements are available at your local Sears service center.

To replace the air cleaner, follow these steps:

- Press the latch tabs on the top of the air cleaner cover, and remove the cover.



- Remove dirty air filter element carefully to prevent debris from falling into carburetor. Discard.
- Clean inside of filter case, using a moist rag.
- Reinstall new air filter element and cover.

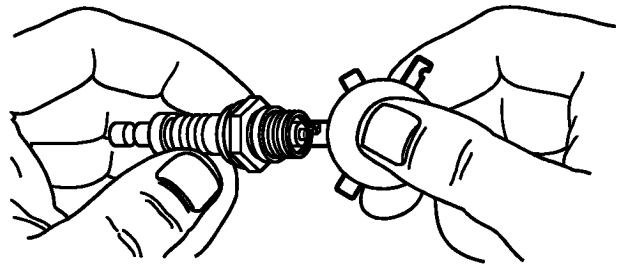
Clean / Replace Spark Plug

Check and clean the spark plug every 100 hours of operation. Replace the spark plug yearly or every 200 hours of operation.

CAUTION! Disconnect spark plug wire from spark plug and keep wire away from spark plug while servicing engine.

- Clean area around spark plug.
- Remove and inspect spark plug.
- Replace spark plug if the electrodes are worn, or if the insulator is cracked or chipped. For replacement use BPR6ES (NGK) or equivalent.

- Check electrode gap with wire feeler gauge and set gap at 0.028 inches-0.031 inches (0.70mm-0.80mm), if necessary.



- Install spark plug, tighten securely.

Carburetor

If you think your carburetor needs adjusting, see your nearest Sears service center. Engine performance may be affected at altitudes above 4000 feet. For operation at higher elevations, contact your nearest Sears service center.

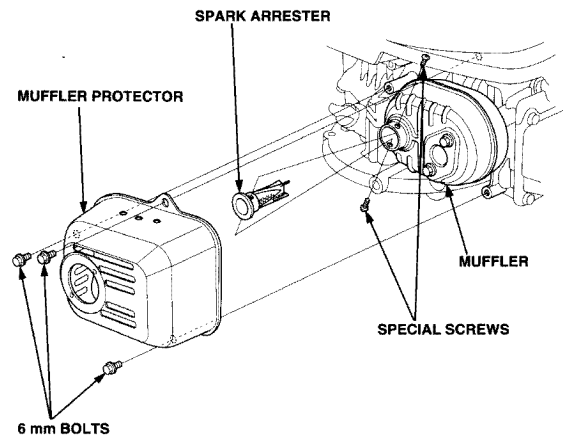
Spark Arrester Service

Your engine is not factory-equipped with a spark arrester. In some areas, it is illegal to operate an engine without a spark arrester. Check local laws and regulations. A spark arrester is available from your nearest Sears service center.

The spark arrester must be serviced every 100 hours to keep it functioning as designed.

If the engine has been running, the muffler will be very hot. Allow the muffler to cool before servicing the spark arrester.

- Remove the three 6 mm bolts from the muffler protector, and remove the muffler protector.



- Remove the two special screws from the spark arrester, and remove the spark arrester from the muffler.
- Use a brush to remove carbon deposits from the spark arrester screen. Be careful to avoid damaging the screen. The spark arrester must be free of breaks and holes. Replace the spark arrester if it is damaged.
- Install the spark arrester and muffler protector in the reverse order of disassembly.

STORAGE

AFTER EACH USE

Water should not remain in the unit for long periods of time. Sediments or minerals can deposit on pump parts and “freeze” pump action. Follow these procedures after every use:

- Flush the chemical system by selecting the system rinse tank and run the pressure washer with nozzle in low pressure mode. Flush for one minute or until the chemical is cleared from the system.
- Shut off the engine and let it cool, then remove all hoses.
- Disconnect spark plug wire from spark plug.
- Empty the pump of all pumped liquids by pulling recoil handle about 6 times. This should remove most of the liquid in the pump.
- Rotate the Dial-A-Cleaner™ selector knob to the OFF position.
- Coil the high pressure hose and inspect it for damage. Cuts in the hose or fraying could result in leaks and loss of pressure. Should any damage be found, replace the hose. **Do Not** attempt to repair a damaged hose. Replace the hose with the genuine Craftsman part.
- Disconnect hose from spray gun and high pressure outlet on pump. Drain water from hose, gun, and nozzle extension and wipe off the hose with a rag.
- Slide one end of the hose into the hole on the hose reel. Turn the hose reel with the handle to coil the hose onto the reel. Push the other end of the hose into the clip on the side of you unit.
- Reconnect spark plug wire to spark plug.
- Store system in a clean, dry area.



WARNING! Never store the engine with fuel in the gas tank indoors or in enclosed, poorly ventilated areas where fumes may reach an open flame, a spark, or pilot light.

WINTER STORAGE

CAUTION! You must protect your unit from freezing temperatures. Failure to do so will permanently damage your pump and render your unit inoperable.

To protect the unit from freezing temperatures:

- Empty all chemical reservoirs as follows:
 1. Disconnect hose connected to chemical inject fitting on the pump. Place end of hose into suitable container.
 2. Move the selector knob to Tank A and open that tank's cover. Gravity should shortly empty the tank contents into the container.
 3. When the tank is empty, repeat step (b) for tanks B and C, using different container for each chemical.

4. Reconnect the hose to the chemical inject fitting on the pump. Add 0.5 liter of clean fresh water to each tank and close tank's covers.
- Flush the chemical system by selecting a tank and run the pressure washer with nozzle in low pressure mode. Flush until each tank is empty, then switch the selector knob to the next tank. The last tank to be emptied must be the System Rinse tank.
 - Connect a 3-foot section of garden hose to the water inlet adapter. Pour RV–Antifreeze (antifreeze without alcohol) into the hose. Pull the recoil handle twice. Disconnect 3-foot hose.

LONG TERM STORAGE

If you do not plan to use the pressure washer for more than 30 days, you must prepare the engine for long term storage.

It is important to prevent gum deposits from forming in essential fuel system parts such as the carburetor, fuel filter, fuel hose or tank during storage. Also, experience indicates that alcohol-blended fuels (called gasohol, ethanol or methanol) can attract moisture, which leads to separation and formation of acids during storage. Acidic gas can damage the fuel system of an engine while in storage.

Protect Fuel System



WARNING! Drain fuel into approved container outdoors, away from open flame. Be sure engine is cool. **Do Not** smoke.

- Remove all gasoline from the fuel tank to prevent gum deposits from forming on these parts and causing possible malfunction of engine.
- Run engine until engine stops from lack of fuel. Make sure you have water supply to pump inlet connected and turned ON.

Change Oil

While engine is still warm, drain oil from crankcase. Refill with recommended grade (see Changing Oil on page 13).

Oil Cylinder Bore

- Remove spark plug. Squirt about 1 ounce (30 ml) of engine oil into the cylinder. Cover spark plug hole with rag. Pull recoil handle slowly to distribute oil. Avoid spray from spark plug hole.
- Install spark plug. **Do Not** connect spark plug wire.

OTHER

- **Do Not** store gasoline from one season to another.
- If possible, store your unit indoors and cover it to give protection from dust and dirt. **BE SURE TO EMPTY THE FUEL TANK.**

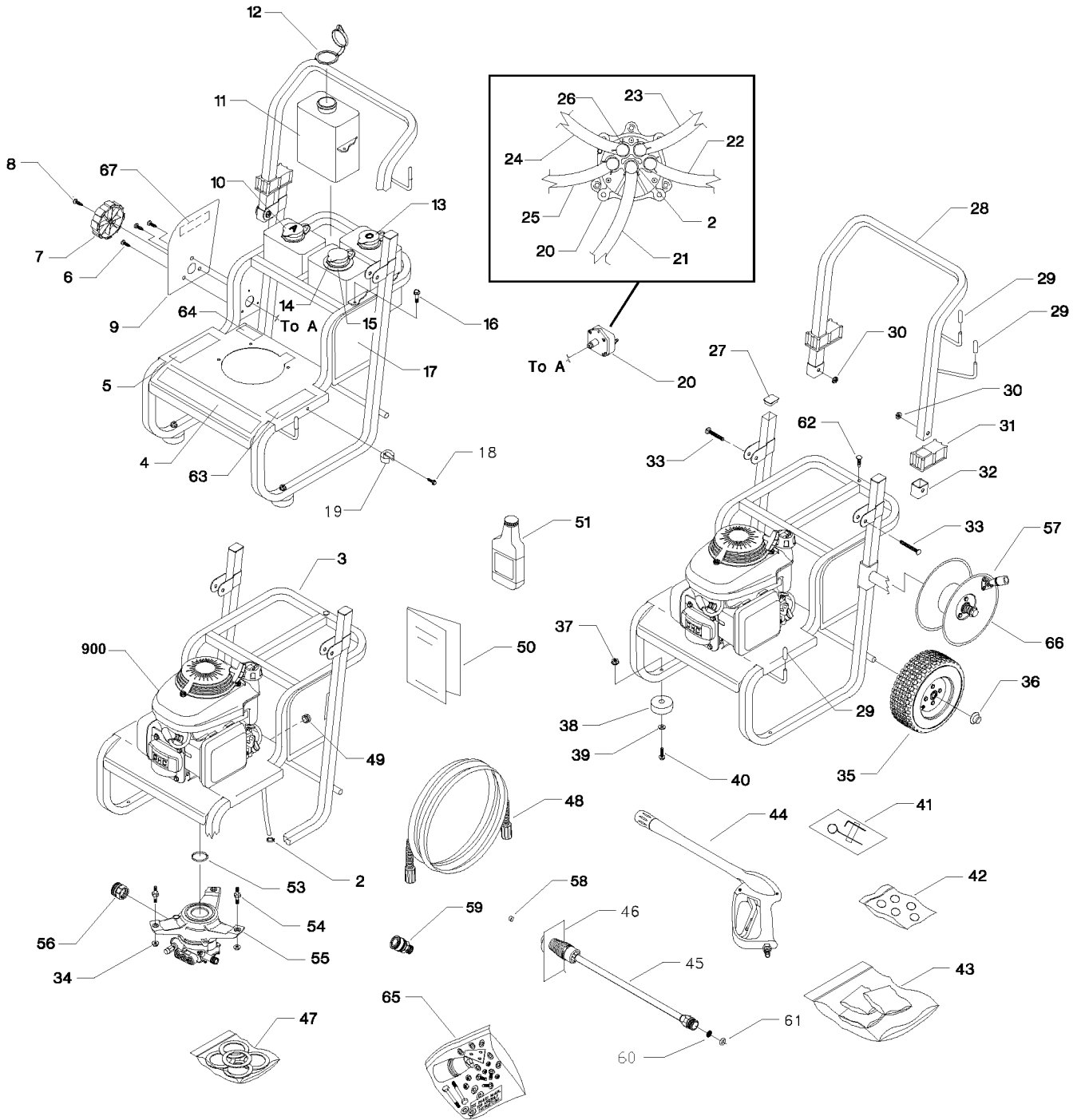
IMPORTANT: Never cover your cleaning system while engine and exhaust area are warm.

TROUBLESHOOTING

Problem	Cause	Correction
Pump has following problems: failure to produce pressure, erratic pressure, chattering, loss of pressure, low water volume.	<ol style="list-style-type: none"> 1. Nozzle in low pressure mode. 2. Water inlet is blocked. 3. Inadequate water supply. 4. Inlet hose is kinked or leaking. 5. Clogged inlet hose strainer. 6. Water supply is over 100°F. 7. High pressure hose is blocked or leaks. 8. Gun leaks. 9. Nozzle is obstructed. 10. Pump is faulty. 	<ol style="list-style-type: none"> 1. Pull nozzle backward for high pressure mode. 2. Clear inlet. 3. Provide adequate water flow. 4. Straighten inlet hose, patch leak. 5. Check and clean inlet hose strainer. 6. Provide cooler water supply. 7. Clear blocks in outlet hose. 8. Replace gun. 9. Clean nozzle. 10. Contact Sears service facility.
Detergent fails to mix with spray.	<ol style="list-style-type: none"> 1. Detergent line is collapsed or kinked. 2. Chemical tank filter is clogged. 3. In-line filter is dirty. 4. Nozzle is in high pressure mode. 5. Dial-a-Cleaner™ knob is in off position. 	<ol style="list-style-type: none"> 1. Repair or replace detergent line. 2. Replace tank. 3. See "Check In-Line Filter" on page 12. 4. Push nozzle forward for low pressure mode. 5. Rotate knob for desired chemical.
Engine runs good at no-load but "bogs" when load is added.	Engine speed is too slow.	Move throttle control to FAST position. If engine still "bogs down", contact Sears service facility.
Engine will not start; or starts and runs rough.	<ol style="list-style-type: none"> 1. Low oil level. 2. Dirty air cleaner. 3. Out of gasoline. 4. Stale gasoline. 5. Spark plug wire not connected to spark plug. 6. Bad spark plug. 7. Water in gasoline. 8. Overchoking. 9. Excessively rich fuel mixture. 10. Intake valve stuck open or closed. 11. Engine has lost compression. 	<ol style="list-style-type: none"> 1. Fill crankcase to proper level. 2. Clean or replace air cleaner. 3. Fill fuel tank. 4. Drain gas tank; fill with fresh fuel. 5. Connect wire to spark plug. 6. Replace spark plug. 7. Drain gas tank; fill with fresh fuel. 8. Open choke fully and crank engine. 9. Contact Sears service facility. 10. Contact Sears service facility. 11. Contact Sears service facility.
Engine shuts down during operation.	<ol style="list-style-type: none"> 1. Out of gasoline. 2. Low oil level. 	<ol style="list-style-type: none"> 1. Fill fuel tank. 2. Fill crankcase to proper level.
Engine lacks power.	Dirty air filter.	Replace air filter.
Engine "hunts" or falters.	Choke is opened too soon.	Move choke to halfway position until engine runs smoothly.

PARTS

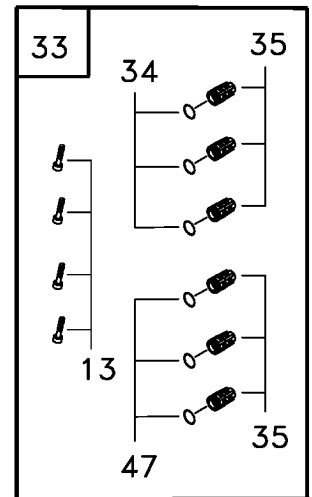
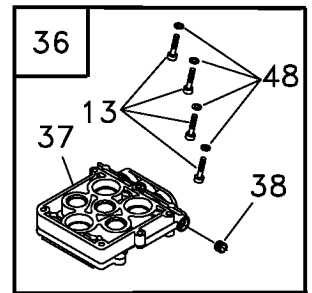
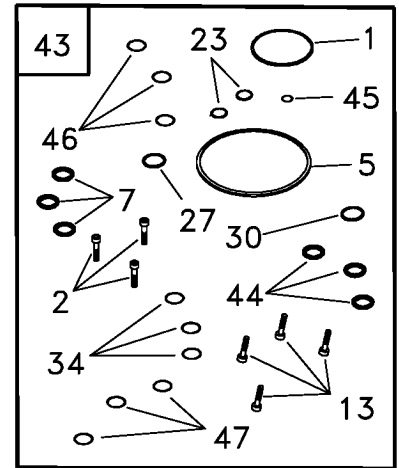
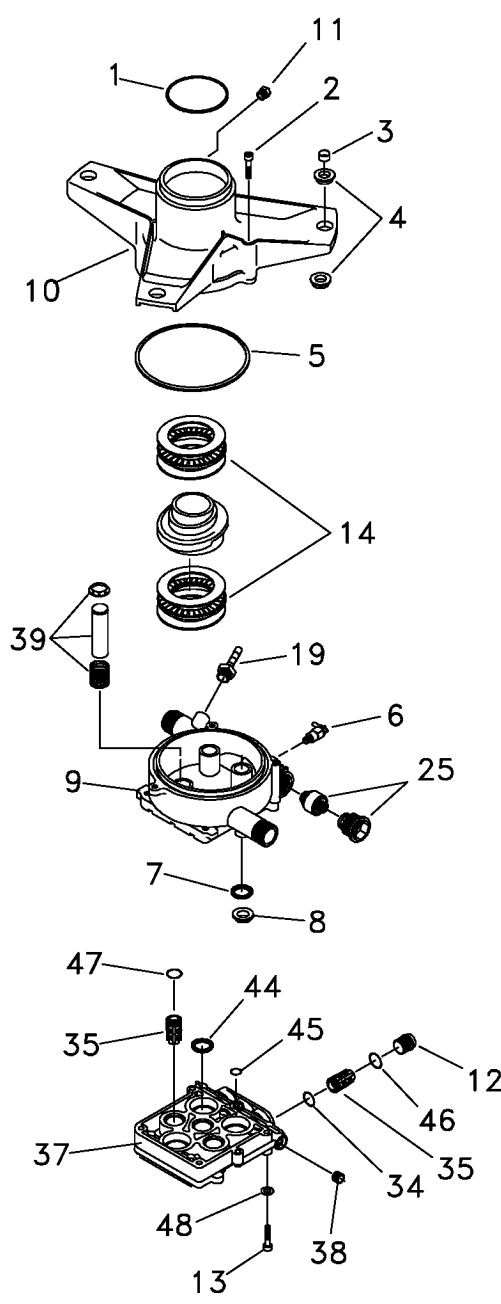
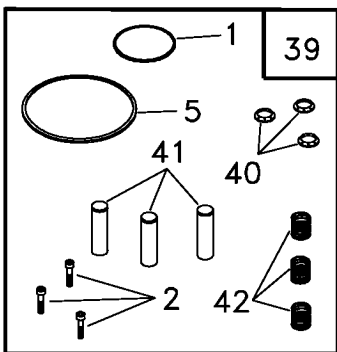
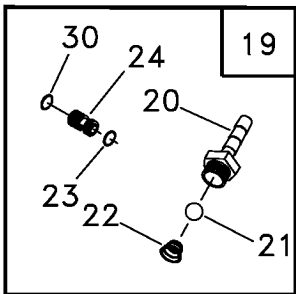
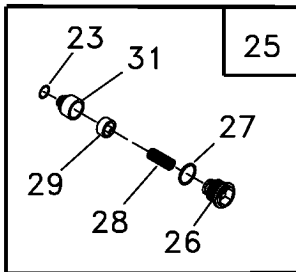
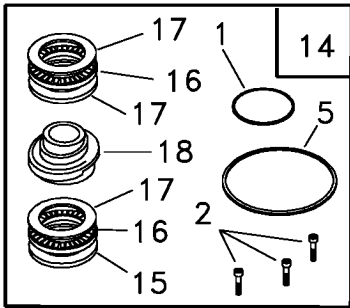
CRAFTSMAN 2400PSI Cleaning System 580.768350 Main Unit — Exploded View



CRAFTSMAN 2400 PSI Cleaning System 580.768350
Main Unit — Parts List

Item	Part #	Qty.	Description	Item	Part #	Qty.	Description
2	48031C	2	CLAMP, Hose 1/2"	44	B3263A	1	GUN, High Pressure
3	EB5691	1	CRADLE, Polo Green	45	B3335	1	WAND, Nozzle Hi/Lo
4	B5770	1	DECAL, Logo	46	97566	1	TAG, Nozzle Instructions
5	B5761	1	DECAL, Warning/Danger	47	B3454	1	KIT, Tags
6	B3377	3	SCREW, Plastite 8 - 11 x 3/4"	48	B5642	1	HOSE, 1/4" x 25'
7	B3721	1	HANDLE, 4-Way Valve	49	30809	1	GROMMET, Chemical Hose
8	B3311	1	SCREW, Plastite 10 - 9	50	B5660	1	MANUAL
9	B3650	1	DECAL, Control Panel 1282	51	AB3061B	1	OIL BOTTLE, 20 oz
10	B3222A	1	CAP, Chem Container "A"	53	B2218	1	SEAL, Engine Donut
11	B3594	4	ASSY., Chemical Tank 1/2 Gal.	54	B1735	3	STUD, Double Ended
12	B3222B	1	CAP, Chem Container "B"	55	B5685A	1	ASSY., Pump EG with Thermal
13	B3222C	1	CAP, Chem Container "C"	56	21424	1	CONNECTOR, Garden Hose
14	B3222D	1	CAP, Chem Container "Water"	57	B4992	1	REEL, Hose
15	B3376B	1	TAG, System Flush Water	58	21761	1	NOZZLE, Replacement
16	B3695	8	BOLT, 1/4"- 20 with Washer	59	95518	1	QUICK DISCONNECT
17	B5832	1	DECAL, BLNK, 1435	60	B4224	1	SCREEN, Gun Inlet
18	B2153	1	SELF DRILLER, 12 - 14 x 7/8"	61	97837	1	O-RING, Hi Pressure
19	B2427B	1	CLIP, Holder	62	B1797	1	FASTENER, Clip
20	B3306	1	ASSY., Sub 4-Way Valve	63	B4141	1	DECAL, Instruction Start
21	B3601B	1	HOSE, Chemical Pump 22"	64	96307	1	DECAL, 1-800#
22	B3577A	1	HOSE, "A" - 6"	65	186317	1	KIT, Hardware, Hose Reel
23	B3577B	1	HOSE, "B" - 12"	66	186318	1	REEL, Hose without Hardware
24	B3577C	1	HOSE, "C" - 14"	67	188926	1	DECAL, Quick Start
25	B3577D	1	HOSE, "Water" - 12"	900	NSP	1	ENGINE, Honda 5.5 H.P.
26	48031G	4	CLAMP, Hose	Optional Accessories Not Illustrated			
27	46476	2	CAP PLUG, Tubing	7175187	Garden Hose Quick Connect		
28	EB3782	1	HANDLE, Polo Green	7175197	Accessory Quick Connect		
29	B2516	3	CAP, Vinyl Black	7175199	Rotating Brush Kit		
30	B2071	2	NUT, 1/4" - 20 Flange Locking	7175115	25' Replacement Hose		
31	B1779	2	COVER, Hinge	7175116	O Ring Repair Kit		
32	B2347	2	END CAP, Tube	7174400	Turbo Nozzle		
33	31669	2	BOLT, 1/4"-20 x 1-3/4" Carriage	7174401	25' Extension Hose		
34	B1880	3	NUT, with Washer	7174402	Hose Reel		
35	B4966	2	TIRE, 10"	7174403	Pump Saver		
36	75402C	2	PUSHNUT, 5/8"	7174300	House Wash Concentrate (makes 4 gallons)		
37	52858	2	NUT, M8 - 1.25 Locking	7174301	Deck Wash Concentrate (makes 2 gallons)		
38	27007	2	MOUNT, Vibration Donut Type	7174302	Vehicle / Boat Wash Concentrate (makes 4 gallons)		
39	50190	2	WASHER, Flat .34" x 1"	7174303	Degreaser Concentrate (makes 4 gallons)		
40	51731	2	HHCS, M8 - 1.25 x 50				
41	188287	1	KIT, Cleaning Nozzle				
42	B5830	1	KIT, Maintenance				
43	B3589	1	KIT, 3 Pak Concentrate				

**CRAFTSMAN 2400 PSI Cleaning System 580.768350
Pump — Exploded View**

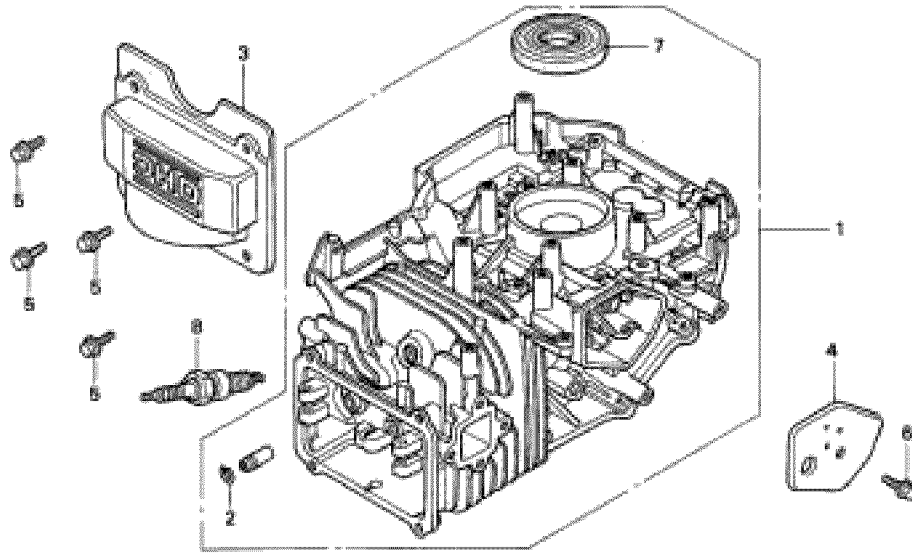


**CRAFTSMAN 2400PSI Cleaning System 580.768350
Pump — Parts List**

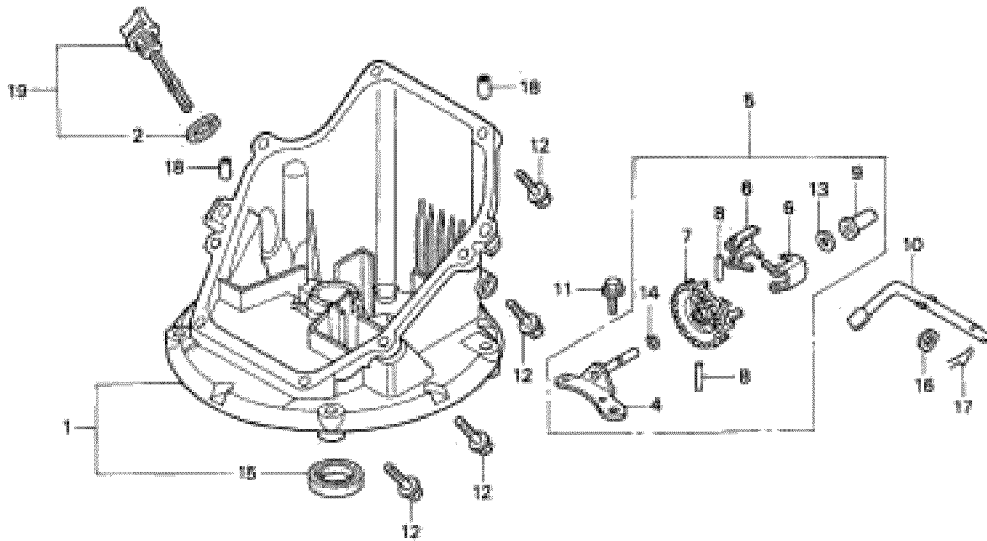
Item	Part #	Qty.	Description	Item	Part #	Qty.	Description
1	B2218	1	O-RING, Engine Seal	33	185712	0	KIT, CHECK VALVES
2	97962	3	SHCS, M6 - 1 x 25	13	4	SHCS, M6-1.0 x 35
3	96795	3	SLEEVE, Grommet Spacer	34	3	O-RING, Check Valve
4	21429	6	BUSHING, Rubber Mount	35	6	ASSY., Check Valve
5	97835	1	O-RING, Housing Seal	47	3	O-RING, Check Valve, White
6	21783	1	THERMAL RELIEF, GPW-EG	36	185531	0	KIT, HEAD BRASS EG
7	93680	3	SEAL, Oil Piston	13	4	SHCS, M6-1.0 x 35
8	97831	3	SPACER, Pilot	37	1	HEAD, Pump
9	B2702	1	HOUSING, Piston	38	1	PLUG, 1/8-28
10	B5003	1	ADAPTER, Engine	48	4	WASHER, M6 Flat
11	B5710	1	VALVE, 1/8 npt 1/5 PSI	39	185713	0	KIT, PISTON & SPRING
12	97841	3	CAP, Outlet Check Valve	1	1	O-RING, Engine Seal
13	40946	4	SHCS, M6-1.0 x 35	2	3	SHCS, M6 - 1 x 25
14	185710	0	KIT, AXIAL CAM	5	1	O-RING, Housing Seal
1	1	O-RING, Engine Seal	40	3	RETAINER, Piston Spring
2	3	SHCS, M6 - 1 x 25	41	3	PISTON, Dia. 15 x 65
5	1	O-RING, Housing Seal	42	3	SPRING, Piston Return
15	1	WASHER, Brg. 36 x 65 x 6Thk	43	185714	0	KIT, O-RING/SEAL 2300
16	2	ASSY., Brg. Cage 45 x 65	1	1	O-RING, Engine Seal
17	3	WASHER, Brg. 45 x 65 x 1	2	3	SHCS, M6 - 1 x 25
18	1	CAM, Axial 5.6 7/8"SAE	5	1	O-RING, Housing Seal
19	185287	0	KIT, CHEM INJECT	7	3	SEAL, Oil Piston
20	1	FITTING, Chem Inject	13	4	SHCS, M6-1.0 x 35
21	1	BALL, Chem Inject	23	2	O-RING, Venturi & Seat, Black
22	1	SPRING, Chem Inject	27	1	O-RING, Unloader Cap
23	1	O-RING, Venturi & Seat, Black	30	1	O-RING, Venturi, Yellow
24	1	VENTURI, Chem Inject	34	3	O-RING, Check Valve
30	1	O-RING, Venturi, Yellow	44	3	SEAL, Double-Lip
25	187879	0	KIT, UNLOADER	45	1	O-RING, High Pressure Transfer
23	1	O-RING, Venturi & Seat, Black	46	3	O-RING, Outlet CV Cap
26	1	CAP, Unloader	47	3	O-RING, Check Valve, White
27	1	O-RING, Unloader Cap				
28	1	SPRING, Unloader				
29	1	PISTON ASSY., Unloader				
31	1	SEAT, Unloader				

Item numbers 14, 19, 25, 33, 36, 39, and 43 are service kits and include all parts shown within the box. Certain items may only be available as a part in a kit.

ENGINE, 5.5 HP, Honda, GCV160 – Exploded View and Parts List - Cylinder Barrel and Oil Pan

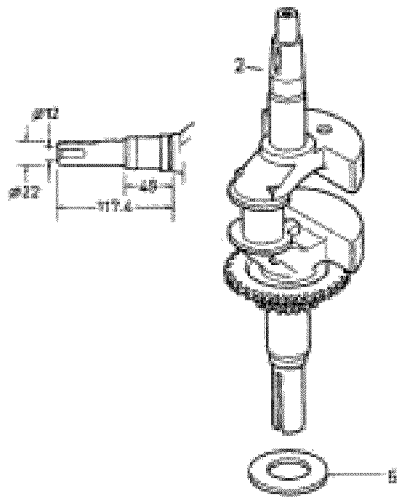


Item	Part #	Qty.	Description	Item	Part #	Qty.	Description
1	12000-ZL8-405	1	CYLINDER ASSY.	5	90013-883-000	4	BOLT, FLANGE (6X12)
2	12216-ZE5-300	1	CLIP, VALVE GUIDE	6	90014-952-000	1	BOLT, FLANGE (6X14)
3	12311-ZL8-000	1	COVER, HEAD	7	91201-ZL8-003	1	OIL SEAL (25.4X62X6)
4	12355-ZL8-000	1	COVER COMP., BREATHER	8	98079-56846	1	SPARK PLUG (BPR6ES) (NGK)

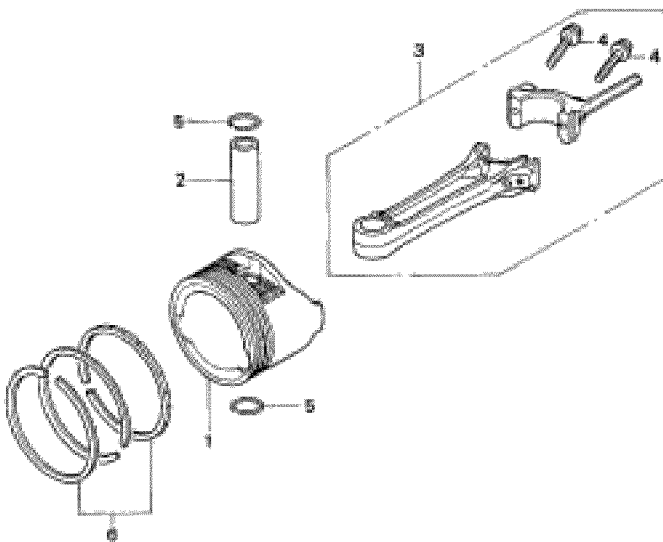


Item	Part #	Qty.	Description	Item	Part #	Qty.	Description
1	11300-ZM0-810	1	PAN ASSY., OIL	11	90014-952-000	1	BOLT, FLANGE (6X14)
2	15625-ZE1-003	1	GASKET, OIL FILLER CAP	12	90121-952-000	8	BOLT, FLANGE (6X25)
4	16508-ZM0-000	1	SHAFT COMP., GOVERNOR HOLDER	13	90451-ZE1-000	1	WASHER, THRUST (6MM)
5	16510-ZM0-000	1	GOVERNOR ASSY.	14	90602-ZE1-000	1	CLIP, GOV. HOLDER
6	16511-ZL8-000	2	WEIGHT, GOVERNOR	15	91202-ZL8-003	1	OIL SEAL (28X41.25X6)
7	16512-ZM0-000	1	HOLDER, GOV. WEIGHT	16	94101-06800	1	WASHER, PLAIN (6MM)
8	16513-ZE1-000	2	PIN, GOVERNOR WEIGHT	17	94251-08000	1	PIN, LOCK (8MM)
9	16531-ZE1-000	1	SLIDER, GOVERNOR	18	94301-08200	2	PIN, DOWEL (8X20)
10	16541-ZM0-000	1	SHAFT, GOVERNOR ARM	19	15650-ZM0-003	1	GAUGE ASSY., OIL LEVEL

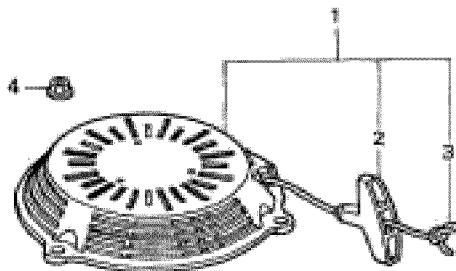
ENGINE, 5.5 HP, Honda, GCV160 – Exploded View and Parts List - Crankshaft, Piston-Connecting Rod, and Recoil



Item	Part #	Qty.	Description
2	13310-ZM0-600	1	CRANKSHAFT COMP.
5	90402-ZL8-000	1	WASHER, THRUST

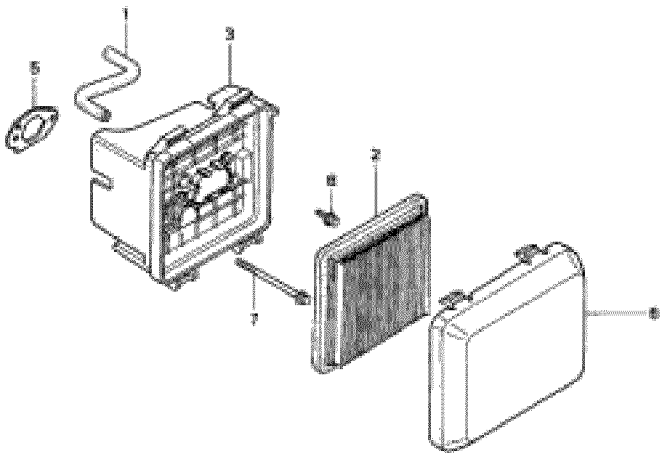


Item	Part #	Qty.	Description
1	13101-ZL8-000	1	PISTON
2	13111-ZE0-000	1	PIN, PISTON
3	13200-ZL8-000	1	ROD ASSY., CONNECTING
4	90001-ZE1-000	2	BOLT, CONNECTING ROD
5	90551-ZE0-000	2	CLIP, PISTON PIN (13MM)
6	13010-ZL8-003	1	RING SET, PISTON (RIKEN)

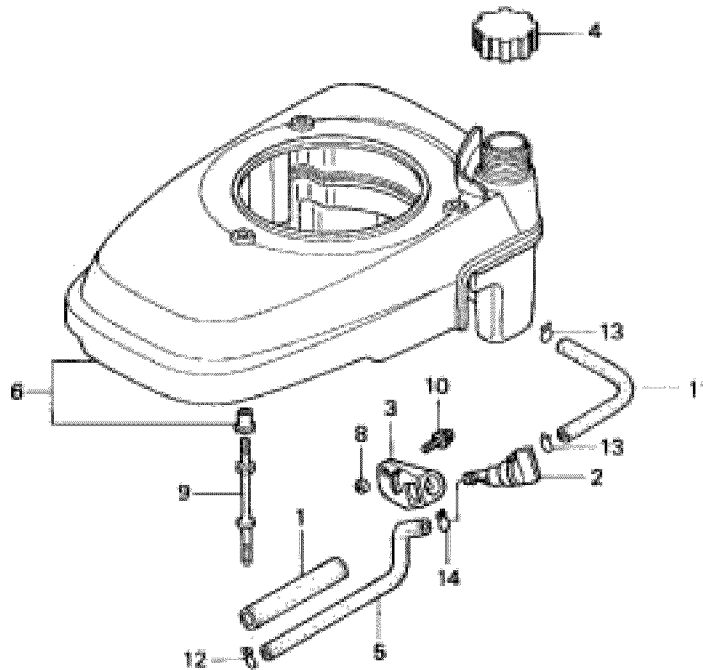


Item	Part #	Qty.	Description
1	28400-ZM0-632ZA	1	STARTER ASSY., RECOIL *NH1*
2	28461-ZL8-003	1	KNOB, RECOIL STARTER
3	28462-ZL8-631	1	ROPE, RECOIL STARTER
4	90303-MR1-000	3	NUT, FLANGE (6MM)

ENGINE, 5.5 HP, Honda, GCV160 – Exploded View and Parts List - Air Cleaner and Fan Cover

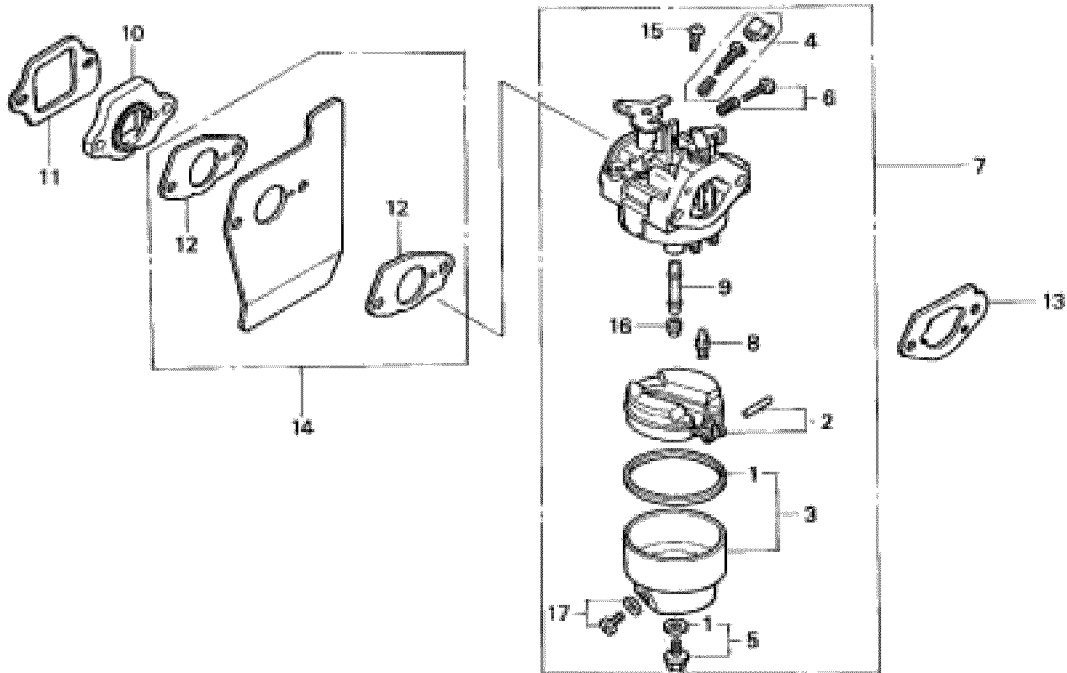


Item	Part #	Qty.	Description
1	15721-ZM0-000	1	TUBE, BREATHER
2	17211-ZL8-000	1	ELEMENT, AIR CLEANER
3	17220-ZM0-000	1	CASE ASSY., AIR CLEANER
5	17228-ZM0-000	1	GASKET, AIR CLEANER
6	17231-ZM0-000	1	COVER, AIR CLEANER
7	90003-ZM0-000	2	BOLT, FLANGE (6X86) (CT200)
8	95701-06014-08	1	BOLT, FLANGE (6X14)



Item	Part #	Qty.	Description	Item	Part #	Qty.	Description
1	16854-ZH8-000	1	RUBBER, SUPPORTER (107MM)	8	33609-GK4-620	1	COLLAR, FR. TURN SIGNAL
2	16950-ZG9-M02	1	PETCOCK ASSY. (MAN)	9	90043-ZL8-000	3	BOLT, STUD
3	16956-ZM0-000	1	BRACKET, PETCOCK	10	93891-05010-08	1	SCREW-WASHER (5X10)
4	17620-ZL8-003	1	CAP ASSY., FUEL TANK	11	95001-55008-40M	1	BULK HOSE, FUEL (5.5X8000) (5.5X150) B
5	17702-ZM0-000	1	TUBE, FUEL	12	95002-02080	1	CLIP, TUBE (B8)
6	19610-ZM0-010ZA	1	COVER COMP., FAN *NH1*	13	95002-02100	2	CLIP, TUBE (B10)
				14	95002-50000	1	CLIP, TUBE (C9)

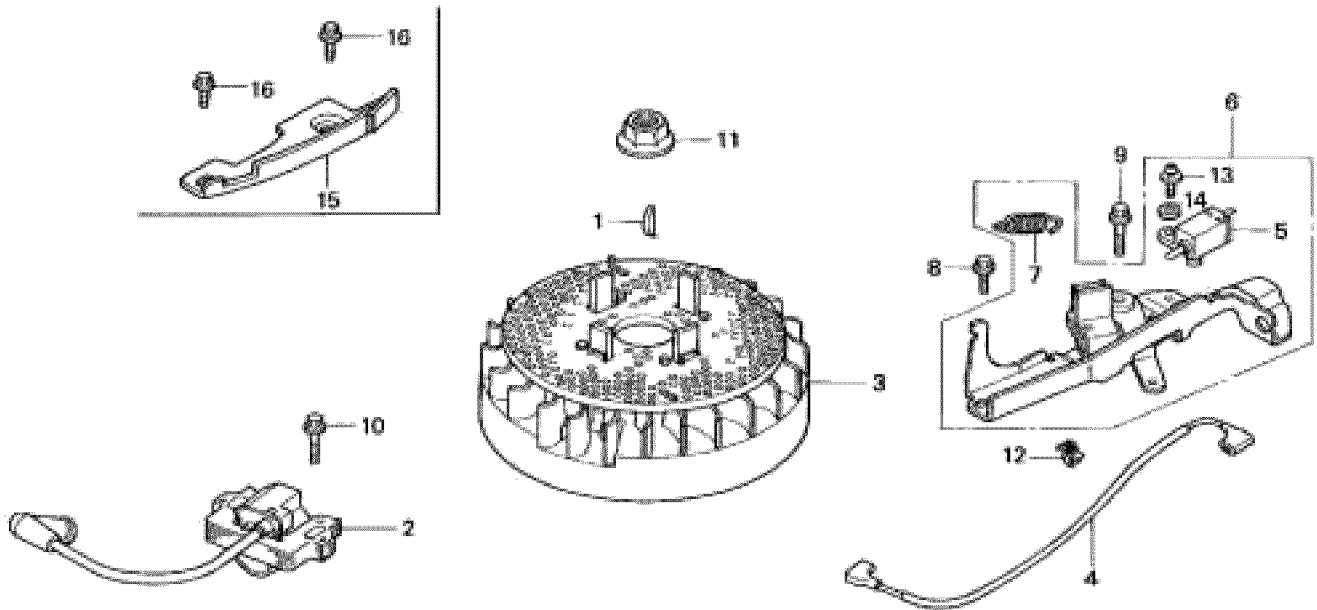
ENGINE, 5.5 HP, Honda, GCV160 – Exploded View and Parts List - Carburetor



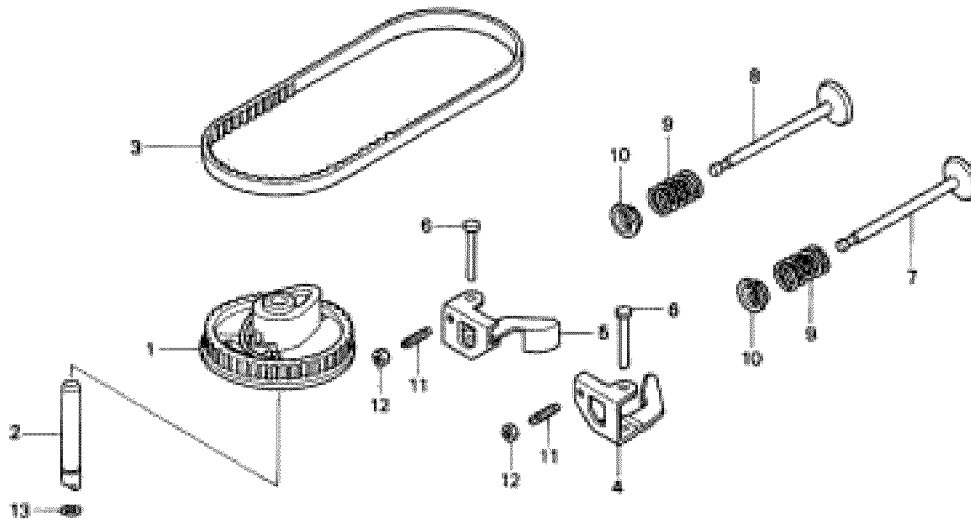
Item	Part #	Qty.	Description
1	16010-883-015	1	GASKET SET
2	16013-ZL1-003	1	FLOAT SET
3	16015-892-505	1	CHAMBER SET, FLOAT
4	16016-ZG0-W00	1	SCREW SET
5	16028-ZE0-005	1	SCREW SET B
6	16029-ZG0-901	1	SCREW SET
7	16100-ZM0-802	1	CARBURETOR ASSY. (BB62BC)
8	16155-ZM0-003	1	VALVE, FLOAT
9	16166-ZM0-003	1	NOZZLE, MAIN
10	16211-ZL8-000	1	INSULATOR, CARBURETOR

Item	Part #	Qty.	Description
11	16212-ZL8-000	1	GASKET, INSULATOR
12	16221-883-800	2	GASKET, CARBURETOR
13	16228-ZL8-000	1	GASKET, CARBURETOR (CHOKE SIDE)
14	19650-ZM0-000	1	GUIDE COMP., AIR
15	93500-05006-1H	1	SCREW, PAN (5X6)
16	99101-124-0600	1	JET, MAIN (#60)
	99101-124-0620	1	JET, MAIN (#62)
	99101-124-0650	1	JET, MAIN (#65)
17	16024-ZE1-811	1	SCREW SET, DRAIN

ENGINE, 5.5 HP, Honda, GCV160 – Exploded View and Parts List - Flywheel and Camshaft Pulley

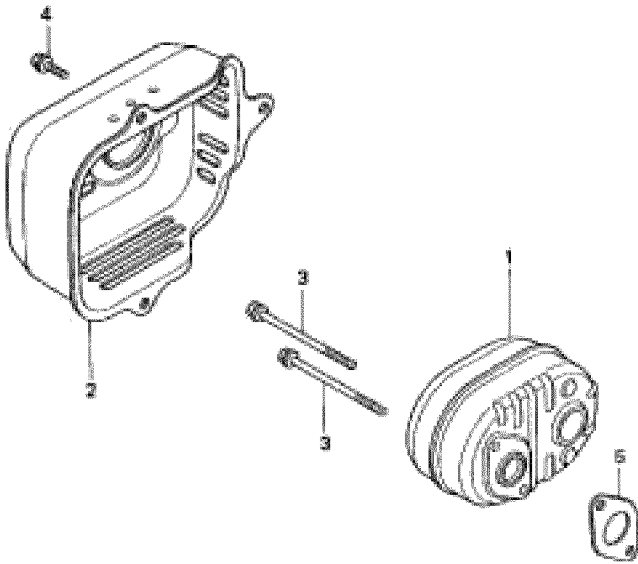


Item Part #	Qty.	Description	Item Part #	Qty.	Description
1 13331-357-000	1	KEY, SPECIAL WOODRUFF (25X18)	7 75113-ZM0-000	1	SPRING, BRAKE LEVER
2 30500-ZL8-004	1	COIL ASSY., IGNITION	8 90014-952-000	1	BOLT, FLANGE (6X14)
3 31105-ZM0-000	1	FLYWHEEL ASSY	9 90018-ZE1-000	1	BOLT, FLANGE (6X23)
4 32195-ZM0-000	1	WIRE, STOP SWITCH	10 90022-888-010	1	BOLT, FLANGE (6X20)
5 35120-ZM0-003	1	SWITCH ASSY., ENGINE STOP (N.C)	11 90201-878-003	1	NUT, SPECIAL (14MM)
6 75100-ZM0-000	1	BRAKE ASSY.	12 90681-959-003	1	CLIP, CABLE (A)
			13 93892-04012-00	1	SCREW-WASHER (4X12)
			14 94103-04000	1	WASHER, PLAIN (4MM)

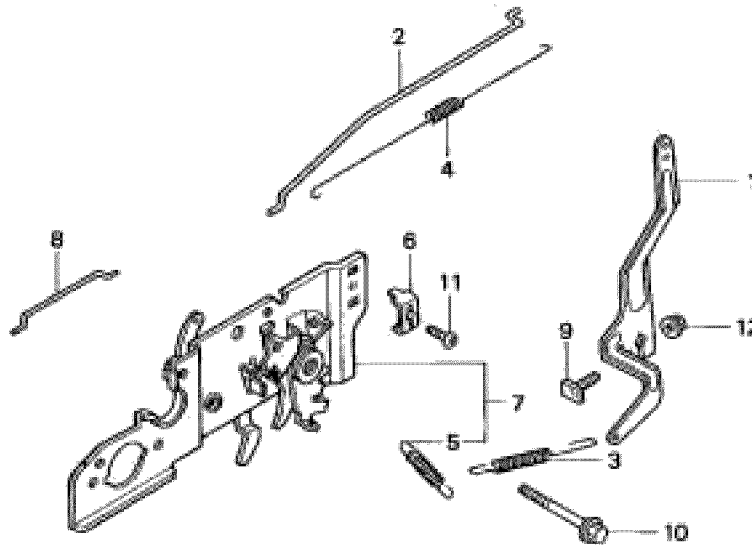


Item Part #	Qty.	Description	Item Part #	Qty.	Description
1 14320-ZL8-000	1	PULLEY COMP., CAMSHAFT	7 14711-ZL8-000	1	VALVE, IN.
2 14324-ZL8-000	1	SHAFT, CAM PULLEY	8 14721-ZL8-000	1	VALVE, EX.
3 14400-ZL8-003	1	BELT, TIMING (84HU7 G-200)	9 14751-ZL8-000	2	SPRING, VALVE
4 14431-ZL8-000	1	ARM, IN. VALVE ROCKER	10 14771-ZE1-000	2	RETAINER, IN. VALVE SPRING
5 14441-ZL8-000	1	ARM, EX. VALVE ROCKER	11 90012-333-000	2	SCREW, TAPPET ADJ.
6 14461-ZL8-000	2	SHAFT, ROCKER ARM	12 90206-001-000	2	NUT, TAPPET ADJ.
			13 91301-ZM0-V31	1	O-RING (6.8X1.9)

ENGINE, 5.5 HP, Honda, GCV160 – Exploded View and Parts List - Muffler and Control



Item	Part #	Qty.	Description
1	18310-ZM0-000	1	MUFFLER COMP.
2	18321-ZL8-000	1	PROTECTOR, MUFFLER
3	90004-ZL8-000	2	BOLT, FLANGE (6X79) (CT200)
4	90013-883-000	3	BOLT, FLANGE (6X12) (CT200)
5	18381-ZL8-305	1	GASKET, MUFFLER



Item	Part #	Qty.	Description
1	16551-ZM0-000	1	ARM, GOVERNOR
2	16555-ZM0-000	1	ROD, GOVERNOR
3	16561-ZM0-000	1	SPRING, GOVERNOR
4	16562-ZM0-000	1	SPRING, THROTTLE RETURN
5	16576-ZE7-300	1	SPRING, LEVER
6	16576-891-000	1	HOLDER, CABLE

Item	Part #	Qty.	Description
7	16580-ZM0-020	1	BASE COMP.,
8	16674-ZM0-000	1	ROD, CHOKE
9	90015-ZE5-010	1	BOLT, GOVERNOR ARM
10	90016-ZM0-000	1	BOLT, FLANGE (6X45) (CT200)
11	93500-05016-0A	1	SCREW, PAN (5X16)
12	94050-06000	1	NUT, FLANGE (6MM)

EMISSIONS CONTROL WARRANTY STATEMENT

Your Warranty Rights and Obligations

The California Air Resources Board ("CARB") and Sears Roebuck and Co., USA, are pleased to explain the Emission Control System Warranty on your model year 2000 and later small off-road engine (engine). In California, new engines must be designed, built and equipped to meet the State's stringent anti-smog standards. Sears must warrant the emission control system on your engine for the periods of time listed below provided there has been no abuse, neglect, or improper maintenance of your engine.

Your emission control system includes parts such as the carburetor and the ignition system.

Where a warrantable condition exists, Sears will repair your engine at no cost to you. Expenses covered under warranty include diagnosis, parts, and labor.

Manufacturer's Warranty Coverage

The model year 2000 and later engines are warranted for two years. If any emission related part on your engine (as listed below) is defective, the part will be repaired or replaced by Sears.

Owner's Warranty Responsibilities

As the engine owner, you are responsible for the performance of the required maintenance listed in this owners manual. Sears recommends that you retain all receipts covering maintenance on your engine, but Sears cannot deny warranty solely due for the lack of receipts or for your failure to ensure the performance of all scheduled maintenance.

As the engine owner, you should be aware that Sears may deny you warranty coverage if your engine or a part of it has failed due to abuse, neglect, improper maintenance, unapproved modifications, or the use of parts not made or approved by the original equipment manufacturer.

You are responsible for presenting your engine to a Sears authorized repair center as soon as a problem exists. Warranty repairs should be completed in a reasonable amount of time, not to exceed 30 days.

If you have any questions regarding your warranty rights and responsibilities, you should contact your nearest authorized service center or call Sears at 1-800-473-7247.

Warranty Commencement Date

The warranty period begins on the date the engine is delivered.

Length of Coverage

Sears warrants to the initial owner and each subsequent purchaser that the engine is free from defects in materials and workmanship which cause the failure of a warranted part for a period of two years.

WHAT IS COVERED

Repair or Replacement of Parts

- Repair or replacement of any warranted part will be performed at no charge to the owner at an approved Sears service center.

- If you have any questions regarding your warranty rights and responsibilities, you should contact your nearest authorized service center or call Sears at 1-800-473-7247.

Warranty Period

Any warranted part which is not scheduled for replacement as required maintenance, or which is scheduled only for regular inspection to the effect of "repair or replace as necessary" shall be warranted for 2 years. Any warranted part which is scheduled for replacement as required maintenance shall be warranted for the period of time up to the first scheduled replacement point for that part.

Diagnosis

The owner shall not be charged for diagnostic labor which leads to the determination that the warranted part is defective if the diagnostic work is performed at an approved Sears service center.

Consequential Damages

Sears may be liable for damages to other engine components caused by the failure of a warranted part still under warranty.

WHAT IS NOT COVERED

All failures caused by abuse, neglect, or improper maintenance are not covered.

Add-on or Modified Parts

The use of add-on or modified parts can be grounds for disallowing a warranty claim. Sears is not liable to cover failures of warranted parts caused by the use of add-on or modified parts.

How to File a Claim

If you have any questions regarding your warranty rights and responsibilities, you should contact your nearest authorized service center or call Sears at 1-800-473-7247.

Where to Get Warranty Service

Warranty services or repairs shall be provided at all Sears authorized service centers.

Maintenance, Replacement and Repair of Emission Related Parts

Any Sears approved replacement part used in the performance of any warranty maintenance or repair on emission related parts will be provided without charge to the owner if the part is under warranty.

Emission Control Warranty Parts List

1. Carburetor Assembly
2. Ignition System
 - a. Spark Plug, covered up to maintenance schedule.
 - b. Ignition Module
3. Crankcase Breather Tube
4. Exhaust Manifold

TABLA DE CONTENIDOS

GARANTIA.....	29	ESPECIFICACIONES	39
REGLAS DE SEGURIDAD	29-30	ALMACENAMIENTO	43-44
MONTAJE.....	31-33	REPARACION DE DAÑOS.....	45
OPERACION.....	34-37	GARANTIA DEL CONTROL DE EMISIONES.....	47
MANTENIMIENTO.....	39-43	COMO ORDENAR PARTES	PAGINA POSTERIOR

GARANTIA

GARANTIA LIMITADA DE LA MAQUINA LAVADORA DE ALTA PRESION CRAFTSMAN

Durante un año a partir de la fecha de compra, Sears reparará, sin cargo alguno, cualquier defecto en material y mano de obra, siempre y cuando esta máquina lavadora a presión Craftsman haya sido mantenida y puesta en funcionamiento de acuerdo a las instrucciones suministradas en el manual del propietario.

Si esta máquina lavadora es usada para fines comerciales, la garantía se aplicará tan solo por 90 días a partir de la fecha de compra. Si esta máquina lavadora de alta presión es usada para alquiler, la garantía se aplicará tan solo por 30 días después de la fecha de compra.

Esta garantía no cubre:

- Elementos percederos como bujías o filtros de aire, los cuales se desgastan con el uso normal.
- Reparaciones necesarias debido al abuso o negligencia del operador, incluyendo daños ocasionados por la ausencia de suministro de agua a la bomba o por no mantener el equipo de acuerdo a las instrucciones contenidas en el manual del propietario.

El servicio de garantía se hace efectivo devolviendo la máquina lavadora de alta presión al centro de servicio o distribuidor Sears mas cercano en los Estados Unidos.

Esta garantía le proporciona derechos legales específicos; usted también puede tener otros derechos, los cuales varían de estado a estado.

Sears, Roebuck and Co., Dept. 817WA, Hoffman Estates, IL 60179

REGLAS DE SEGURIDAD



ESTE ES EL SIMBOLO DE ALERTA DE SEGURIDAD. ES USADO PARA INDICARLE SITUACIONES CON PELIGROS POTENCIALES DE LESION PARA EL PERSONAL. SIGA LAS INSTRUCCIONES DE TODOS LOS MENSAJES DE SEGURIDAD QUE APARECEN DESPUES DE ESTE SIMBOLO PARA EVITAR POSIBLES LESIONES O MUERTE.



ADVERTENCIA:



El escape del motor de este producto contiene elementos químicos reconocidos en el Estado de California por producir cáncer, defectos de nacimiento u otros daños de tipo reproductivo.



¡PRECAUCION! Cuando instale, transporte, ajuste o haga reparaciones a su máquina lavadora de alta presión, siempre desconecte el alambre de la bujía y colóquelo donde **No** pueda entrar en contacto con la bujía.



¡PELIGRO! Los gases del sistema de escape del motor contienen gas de monóxido de carbono **MORTAL**. Si este gas peligroso se inhala en concentraciones suficientes, puede causar pérdida de la consciencia o incluso la muerte. Opere este equipo únicamente al aire libre, donde exista ventilación adecuada.



¡ADVERTENCIA! La gasolina es altamente **INFLAMABLE** y sus vapores son **EXPLOSIVOS**. **No** permita que fumen, que existan llamas abiertas, chispas o calor a su alrededor cuando manipule gasolina. Evite regar gasolina sobre un motor caliente. Permita que la unidad se enfríe antes de volver a colocarle combustible. Cumpla con todas las leyes que regulan el almacenamiento y el manejo de gasolina.

Lea este manual minuciosamente y conozca a fondo las partes y el funcionamiento de su máquina lavadora a presión. Conozca sus aplicaciones, sus limitaciones y los peligros involucrados.

- Coloque esta máquina lavadora a presión en áreas alejadas de materiales combustibles, humos o polvo combustibles.

REGLAS DE SEGURIDAD

- El equipo de alta presión está diseñado para ser utilizado **UNICAMENTE** con las partes autorizadas Sears. Si utiliza este equipo con partes que no cumplan con las especificaciones mínimas, el usuario asume todos los riesgos y responsabilidades.
 - Algunos químicos o detergentes pueden ser nocivos si se inhalan o ingieren, causando náusea severa, desmayos o envenenamiento. Los elementos nocivos pueden ocasionar daño a la propiedad o lesiones severas.
 - **No** permita en ningún momento que NIÑOS operen la máquina lavadora a presión.
 - Opere el motor únicamente a la velocidad de mando. Hacer funcionar el motor a velocidades excesivas aumenta el riesgo de lesiones personales. **No** juegue con partes que puedan aumentar o disminuir la velocidad de mando.
 - **No** use ropa suelta, joyas o elementos que puedan quedar atrapados en el arranque o en otras partes rotatorias.
 - Antes de poner en marcha la máquina lavadora a presión en clima frío, revise todas las partes del equipo y asegúrese de que no se haya formado hielo sobre ellas.
 - **Nunca** utilice una pistola de rociado que no tenga un seguro para gatillo o protección para gatillo en su lugar y en buenas condiciones.
 - Mantenga conectada la manguera a la máquina o a la pistola de rociado cuando el sistema esté presurizado. Es peligroso desconectar la manguera cuando la unidad está presurizada.
 - **Nunca** deberán ser operadas las unidades con partes rotas o ausentes, o sin la caja o cubiertas de protección.
 - Revise que el sistema de combustible no presente fugas o signos de deterioro, como mangueras desgastadas o porosas, sujetadores flojos o ausentes, tapa o tanque dañados. Corrija todos los defectos antes de operar la máquina lavadora a presión.
 - **No** rocíe líquidos inflamables.
 - Utilice un respirador o máscara siempre que exista la posibilidad de inhalar vapores. Lea todas las instrucciones de la máscara para asegurarse de que le brindará la protección necesaria contra la inhalación de vapores nocivos.
 - **Nunca** apunte la pistola a la gente, animales o plantas. La corriente de agua de alta presión que produce este equipo pueden perforar la piel y sus tejidos profundos, ocasionando lesiones serias y posible amputación.
 - **Nunca** permita que partes del cuerpo entren en contacto con la corriente del fluido. **No** entre en contacto con la corriente del fluido creada por una fuga en la manguera de alta presión.
 - Siempre use protección para los ojos cuando utilice este equipo o cuando esté cerca de donde se esté usando el equipo.
 - El rociado de alta presión puede hacer que partículas pequeñas de pintura u otras partículas salgan disparadas y viajen a altas velocidades.
 - **No** opere la máquina lavadora a presión con un valor de presión superior a su clasificación de presión.
 - **Nunca** mueva la máquina halando la manguera de alta presión. Utilice la manija que viene con la unidad.
 - Siempre asegúrese de que la pistola de rociado, boquillas y accesorios estén conectados correctamente.
 - **No** asegure la pistola de rociado en la posición (open = abierto).
 - El rociado de alta presión puede dañar elementos frágiles, incluyendo el vidrio. **No** apunte la pistola de rociado al vidrio cuando esté en el modo de rociado a chorro.
 - Sostenga firmemente en su mano la manguera de rociado antes de poner en marcha la unidad. De no hacerlo, podrían ocurrir lesiones por el movimiento brusco de la pistola de rociado. **No** abandone la pistola de rociado cuando la máquina esté en funcionamiento.
 - El área de limpieza deberá tener inclinaciones y drenajes adecuados para disminuir la posibilidad de caídas debido a superficies resbalosas.
 - Mantenga el chorro del agua alejado de alambros eléctricos, de lo contrario podrían ocurrir descargas eléctricas fatales.
 - **No** eluda ningún dispositivo de seguridad de esta máquina.
 - El silenciador y el motor se calientan durante el funcionamiento y permanecen calientes inmediatamente después del apagado. Evite el contacto con silenciadores o motores calientes, o podría quemarse severamente.
 - Opere y almacene esta unidad sobre una superficie estable.
 - La manguera de alta presión puede desarrollar fugas debido al desgaste, dobleces, abuso, etc. El agua que sale de una fuga es capaz de inyectar materiales en la piel. Inspeccione la manguera siempre que la vaya a usar. Revise todas las mangueras para ver si presentan cortes, fugas, abrasiones o deformación de la cubierta, daño o movimiento de acoplamientos. Si existe cualquiera de estas condiciones, reemplace la manguera inmediatamente. **Nunca** repare la manguera de alta presión. Reemplacela con una manguera que tenga la misma capacidad de presión máxima de su unidad.
 - Siempre almacene el sistema de limpieza con la perilla Dial-a-Cleaner™ en la posición "OFF" ("APAGADO").
 - El silenciador y el depurador de aire deberán estar instalados y en buenas condiciones antes de operar la máquina lavadora a presión. Estos componentes actúan como apagachispas si el motor presenta contrafuegos.
- En el estado de California es obligatorio, según la ley, el uso de apagachispas (Sección 4442 del Código de Recursos Públicos de California). Otros estados pueden tener leyes similares. Las leyes federales se aplican en tierras federales.
- NOTA:** Si equipa el silenciador con un apagachispas, este deberá ser mantenido en buenas condiciones de trabajo. Usted puede ordenar el apagachispas a través de su distribuidor de servicio autorizado Sears.

MONTAJE

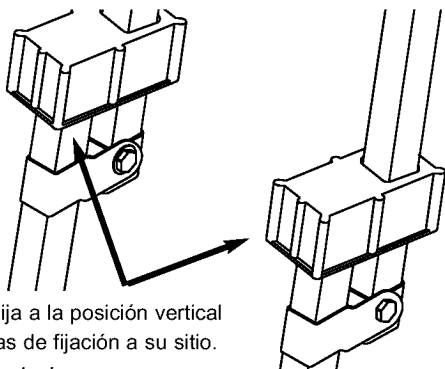
Su sistema de limpieza requiere de cierto ensamble y estará lista para ser usado únicamente después de haber depositado el combustible y el aceite recomendado.

Si tiene problemas con el ensamble de su máquina lavadora a presión, llame a la línea de ayuda de la máquina lavadora a presión al 1-800-222-3136.

IMPORTANTE: Cualquier intento de hacer funcionar el motor sin haber depositado el aceite recomendado resultará en falla del mismo.

RETIRE LA MAQUINA LAVADORA A PRESION DE LA CAJA

- Abra la caja y corte dos esquinas opuestas a la manija guía de la parte superior a la inferior de tal forma que el panel pueda ser doblado hacia abajo.
- Retire la caja del carrete de la manguera, material de relleno y la caja de repuestos enviada con el sistema de limpieza.
- Saque el sistema de limpieza de la caja.
- Levante la manija guía, asegúrela en su sitio.



Levante la manija a la posición vertical y mueva la tapas de fijación a su sitio.

- Revise la caja para ver si existen partes sueltas adicionales.

CONTENIDO DE LA CAJA

Revise el contenido de la caja. Si alguna de las partes no está presente o está dañada, llame a la línea de ayuda de la máquina lavadora a presión al 1-800-222-3136.

- La unidad principal - sistema de limpieza con ruedas, tanques para químicos, manubrio
- Los componentes del carrete de la manguera
- La manguera de alta presión
- Caja de partes (incluye los elementos descritos a continuación)
 - Pistola de rociado
 - Extensión para boquillas con boquilla ajustable a Alta/Baja presión
 - Aceite para motor
 - Tres paquetes de concentrado químico
 - Manual del operador
 - Juego para limpiar boquillas
 - Juego de anillos 'O'
 - Rótulos para los tanques
 - Adaptador para conexión rápida

Familiarícese con cada parte antes de ensamblar la máquina lavadora a presión. Compare el contenido con la ilustración de la página 34. Si alguna de la partes no está presente o se encuentra dañada, llame a la línea de ayuda de la máquina lavadora a presión al 1-800-222-3136.

MONTAJE DEL SISTEMA DE LIMPIEZA

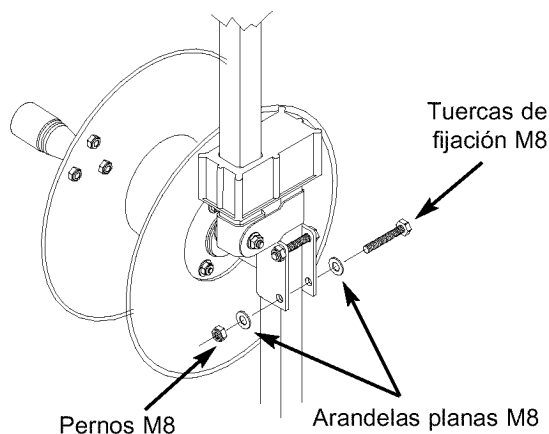
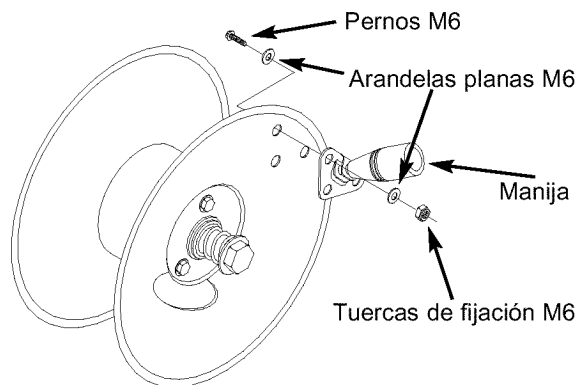
La gran mayoría de su sistema de limpieza de alta presión Craftsman ha sido ensamblado en la fábrica. Sin embargo, usted deberá llevar a cabo los siguientes procedimientos antes de poner en funcionamiento su sistema de limpieza:

- Conecte el carrete de la manguera.
- Deposite aceite en la caja del cigüeñal del motor.
- Deposite combustible en el tanque.
- Conecte la manguera de alta presión a la pistola de rociado y a la bomba.
- Conecte el suministro de agua a la bomba.

Montaje del Carrete de la Manguera

IMPORTANTE: Deberá sacar la manguera del carrete cuando ponga en funcionamiento su máquina lavadora a presión. El carrete es únicamente para almacenamiento.

- Conecte la manija al carrete utilizando tuercas de fijación, arandelas planas y pernos como se ilustra a continuación.
- Asegure el carrete de la manguera a la parte vertical del lado izquierdo (visto desde la parte posterior de la unidad) utilizando tuercas de fijación, arandelas planas y pernos. Vea la página 34 para su ubicación.

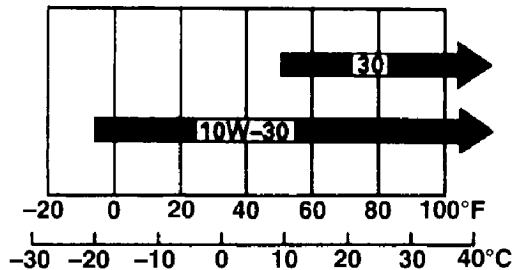


Agregue Aceite de Motor

IMPORTANTE: Cualquier intento de hacer girar o arrancar el motor antes de que se haya depositado el aceite recomendado puede resultar en falla del motor.

NOTA: Cuando agregue aceite a la caja del cigüeñal del motor, use únicamente aceite detergente de alta calidad con clasificación de servicio API SF o SG de peso 10W-30 con clasificación SAE.

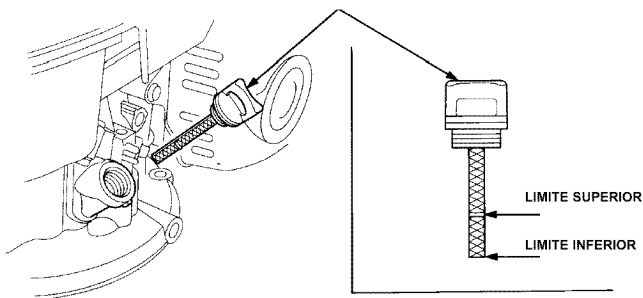
Se pueden usar los otros aceites de viscosidad mostrados en la tabla cuando la temperatura promedio de su área se encuentre dentro de los límites recomendados.



TEMPERATURA AMBIENTE

- Coloque la máquina lavadora a presión en una superficie nivelada.
- Limpie el área alrededor del llenado de aceite, retire la varilla de medición de aceite y límpiela.
- Inserte y retire la varilla de medición sin atornillarla en el orificio de llenado.

VARILLA DE MEDICIÓN/TAPA DEL ORIFICIO PARA LLENADO DE ACEITE



- Vierta lentamente el aceite en la abertura de llenado hasta que alcance la marca de "UPPER LIMIT" ("LIMITE SUPERIOR") de la varilla de medición. Pare de vez en cuando para revisar el nivel del aceite.
- Si el nivel del aceite se encuentra cerca o por debajo de la marca del límite inferior de la varilla de medición, deposite el aceite recomendado hasta llegar a la marca del límite superior. **NO LLENE EXCESIVAMENTE.**
- Instale la varilla de medición del aceite y apriete la firmemente con la mano.

NOTA: Revise el aceite frecuentemente durante el despegue del motor.

Agregue Gasolina



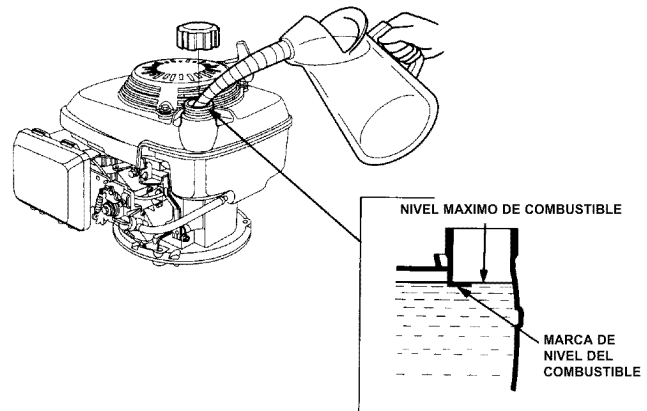
¡ADVERTENCIA! Nunca llene el tanque de combustible en recintos cerrados. **Nunca** llene el tanque de combustible cuando el motor esté funcionando o esté caliente. **No** fume cuando esté llenando el tanque de combustible.



¡ADVERTENCIA! Nunca llene por completo el tanque de combustible. Deje espacio para la expansión del combustible. Limpie cualquier derrame de combustible del motor y del equipo antes de darle arranque a la unidad.

Utilice gasolina para automotores limpia, fresca y sin contenido de plomo.

- Use combustible limpio y almacénelo en recipientes cubiertos, limpios y aprobados. Utilice embudos limpios. **Nunca** utilice gasolina "vieja" dejada de la estación anterior o gasolina almacenada por períodos de tiempo prolongados.
- Limpie el área alrededor de la tapa de llenado del combustible, retire la tapa.
- Agregue lentamente gasolina al tanque de combustible. Use un embudo para evitar que se derrame. Llene el tanque hasta la "**Marca de Nivel del Combustible**" como se muestra a continuación.

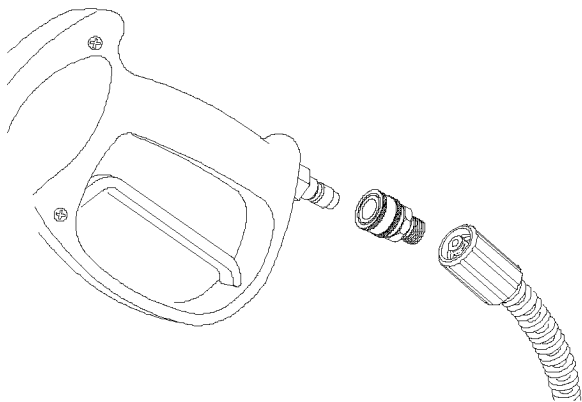


- Instale la tapa del tanque de combustible y limpie la gasolina que se haya derramado.

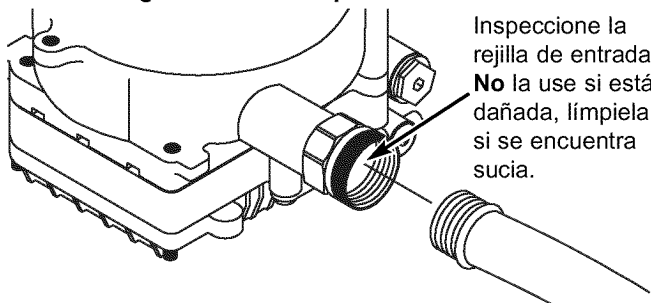
Conecte la Manguera y el Suministro de Agua a la Bomba

IMPORTANTE: Usted deberá armar la extensión para boquillas y conectar todas las mangueras antes de darle arranque al motor. La bomba resultará dañada si arranca el motor sin tener todas las mangueras conectadas y el suministro agua abierto.

- Instale la conexión rápida a la manguera de alta presión insertando la porción con rosca en el extremo de la manguera y apretandola con la mano.



- Desenrolle la manguera de alta presión e instale el extremo de la manguera que tiene la conexión rápida a la base de la pistola de rociado. Mueva hacia atrás el collar de la conexión rápida, colóquelo en la pistola y suéltelo. Hale la manguera y la pistola para asegurarse de que tiene una conexión firme.
- Antes de que conecte la manguera de jardín a la entrada de agua, inspeccione el colador de la entrada. Limpie el colador si tiene residuos o solicite su remplazo si está dañado. **No haga funcionar la máquina lavadora a presión si el colador de la entrada está dañado. Nunca agua de cala de siphon.**



Inspeccione la rejilla de entrada. **No** la use si está dañada, límpiela si se encuentra sucia.

- Haga correr el agua a través de la manguera de su jardín por 30 segundos para limpiar cualquier escombros que se encuentre en ella. Desconecte el agua.
- Conecte la manguera de jardín a la entrada del agua. Apriete con la mano.

¡PRECAUCIÓN! DEBE haber por lo menos diez pies de manguera de jardín libre entre la entrada de agua de la lavadora a presión y cualquier dispositivo de control de flujo de agua, sea el caso de un conector 'Y' o de cualquier otro tipo de válvula. El daño a la lavadora a presión, resultado de la desatención a esta advertencia, no será cubierto por la garantía.

- ABRA el suministro del agua (abra la válvula de suministro completamente).

¡PRECAUCION! Antes de darle arranque a la máquina lavadora a presión, asegúrese de usar protección adecuada para los ojos.

LISTA DE REVISION PREVIA AL ARRANQUE DEL MOTOR

Revise la unidad para asegurarse que ha llevado a cabo los siguientes procedimientos:

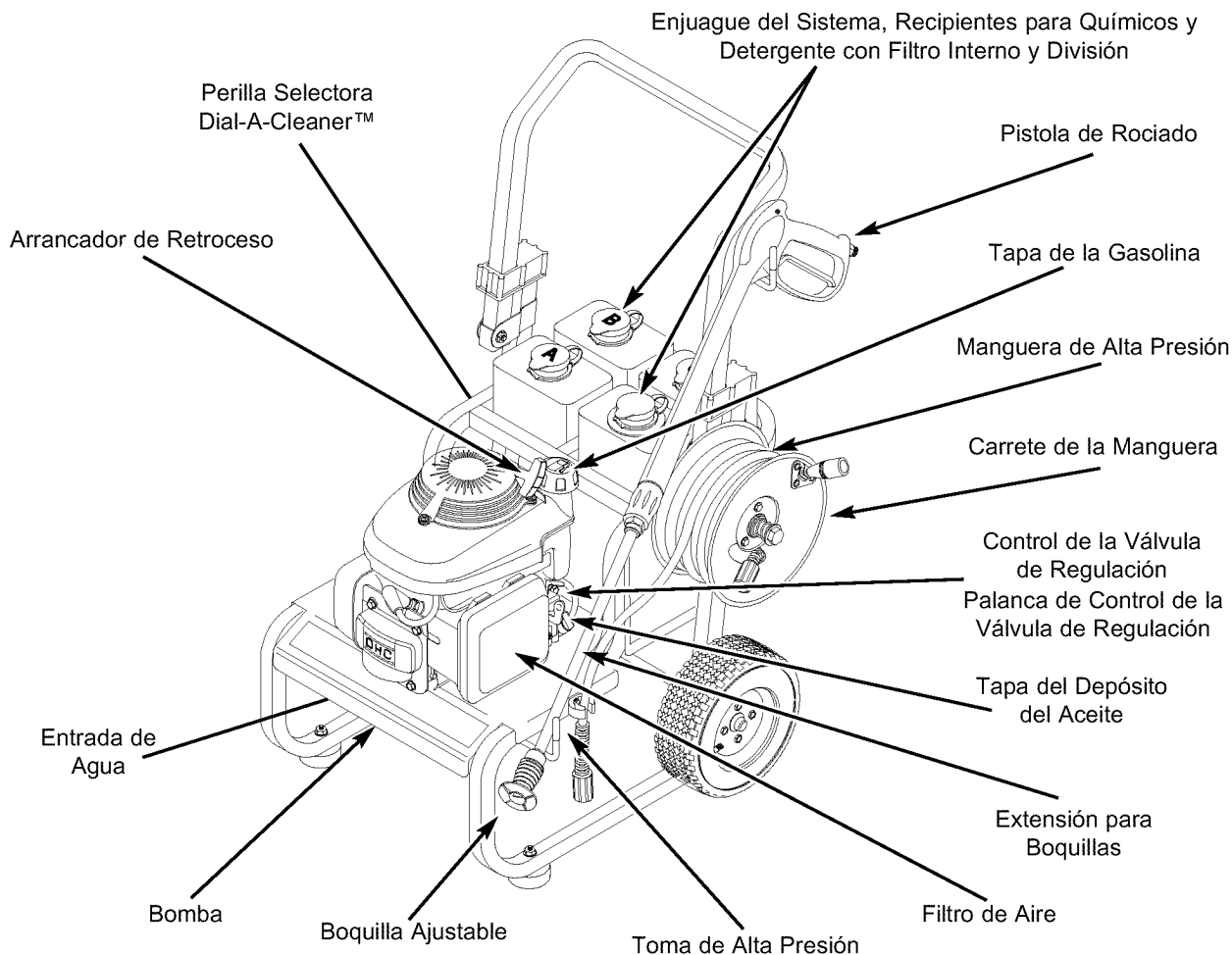
- Revise que los sujetadores del carrete de la manguera estén apretados.
- Revise que haya sido depositado aceite y esté al nivel correcto en la caja del cigüeñal del motor.
- Deposite la gasolina adecuada en el tanque del combustible.
- Revise que todas las conexiones de las mangueras (alta presión y suministro de agua) estén apretadas correctamente y que no existan dobleces, cortes o daño de la manguera de alta presión.
- Proporcione el suministro de agua adecuado (que no exceda los 100°F).
- Asegúrese de leer las secciones "Reglas de Seguridad" y "Operación" antes de usar el sistema de limpieza.

OPERACION

CONOZCA SU MAQUINA LAVADORA DE ALTA PRESION

Lea el manual del propietario y las reglas de seguridad antes de poner en marcha su sistema de limpieza.

Compare las ilustraciones con su sistema de limpieza para familiarizarse con las ubicaciones de los diferentes controles y ajustes. Guarde este manual para referencias futuras.



Arrancador de Retroceso – Usado para el arranque del motor.

Bomba – Desarrolla alta presión de agua.

Boquilla Ajustable – Ajusta la presión a alta o baja presión; rociado a chorro o en abanico.

Carrete de la Manguera – Usado para almacenar la manguera cuando la unidad no está siendo usada. La manguera deberá ser desconectada de la bomba y la pistola antes de almacenarla.

Enjuague del Sistema, Recipientes para Químicos y Detergente con Filtro Interno y División – Usado para proporcionar detergente u otros químicos a la corriente de agua de baja presión.

Entrada de Agua – Conexión para la manguera de jardín.

Extensión para Boquillas – Conectada a la pistola de rociado para un uso más conveniente.

Filtro de Aire – El elemento de filtro tipo seco limita la cantidad de suciedad y polvo que se introduce en el motor.

Manguera de Alta Presión – Conecte un extremo a la pistola de rociado y el otro extremo a la toma de alta presión.

Palanca de Control de la Válvula de Regulación – Coloca el motor en modo de arranque para el arrancador de retroceso y detiene el motor en funcionamiento.

Palanca del Cebador – Usada para arranque de motores fríos.

Perilla Selectora Dial-A-Cleaner™ – Selecciona cualquiera de los tres químicos o el enjuague del sistema de agua limpia.

Pistola de Rociado – Controla la aplicación de agua sobre la superficie de limpieza con el gatillo. Incluye cerrojo de seguridad.

Tapa de la Gasolina – Llene el motor con gasolina regular sin contenido de plomo en este punto.

Tapa del Depósito del Aceite – Llene el motor con aceite aquí. Vea la página 32 para las recomendaciones del aceite y las instrucciones de llenado.

Toma de Alta Presión – Conexión para la manguera de alta presión.

COMO USAR SU SISTEMA DE LIMPIEZA

Si tiene problemas con el funcionamiento de su máquina lavadora a presión, por favor llame a la línea de ayuda de la máquina lavadora a presión al **1-800-222-3136**.

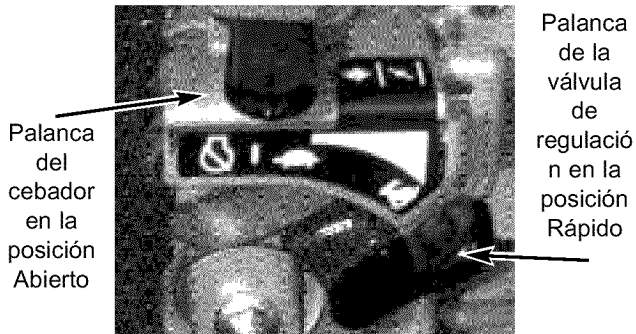
Para Poner en Marcha el Sistema de Limpieza

Para darle arranque a su sistema de limpieza movido a motor por primera vez, siga estas instrucciones paso a paso. Esta información acerca de la puesta en marcha inicial también es válida para cuando vaya a darle arranque al motor después de haberlo dejado la máquina lavadora a presión fuera de funcionamiento por lo menos un día.

- Coloque la máquina lavadora a presión en un área cerca de una fuente de agua exterior que pueda suministrar un volumen de agua superior a 2.4 galones por minuto.
- Revise que la manguera de alta presión esté firmemente conectada a la pistola de rociado y a la bomba. Vea la sección "Montaje de la Máquina Lavadora a Presión" (página 33) para las ilustraciones.
- Asegúrese que la unidad esté nivelada.
- Conecte la manguera de jardín a la entrada del agua de la bomba de la máquina lavadora a presión. **Abra el suministro del agua.**

¡PRECAUCION! No ponga la bomba en funcionamiento si no tiene conectado y abierto el suministro de agua. Deberá cumplir con esta precaución o la bomba resultará dañada.

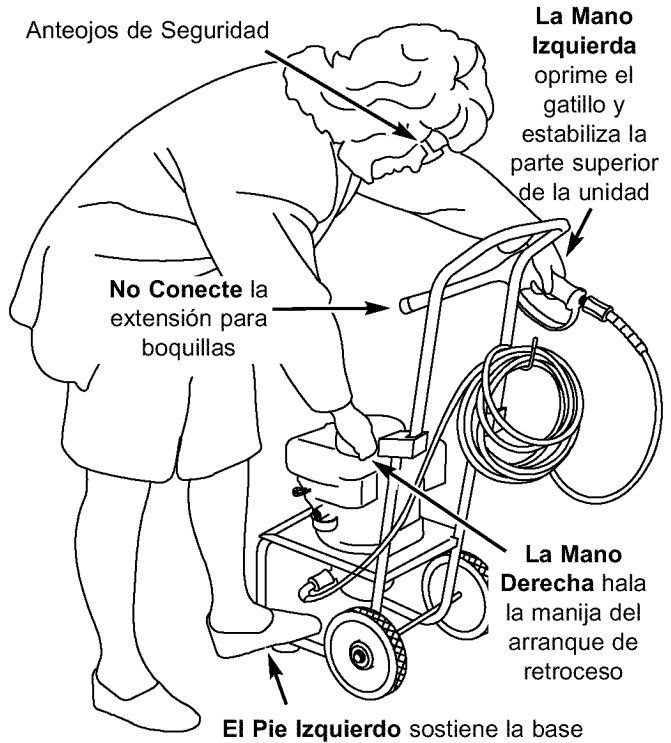
- Mueva la palanca de la válvula del combustible a la posición "On".
- Mueva la palanca del cebador a la posición "Closed".



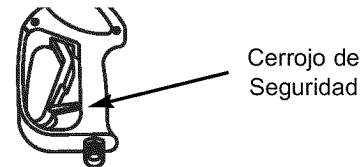
NOTA: Si el motor está caliente, asegúrese que la palanca del cebador esté en la posición "Open".

- Mueva la palanca de la válvula de regulación a la posición "Fast", marcada en la unidad con un conejo. Los controles son mostrados en la posición de operación deseada.
- Como se muestra a la derecha, asegúrese que la extensión para boquillas **NO** está conectada a la pistola de rociado. Tenga en cuenta que su unidad va a lucir ligeramente diferente a la unidad de la ilustración. Coloque la pistola de rociado en el gancho para almacenamiento.
- Coloque su pie izquierdo sobre el bastidor inferior de la unidad.

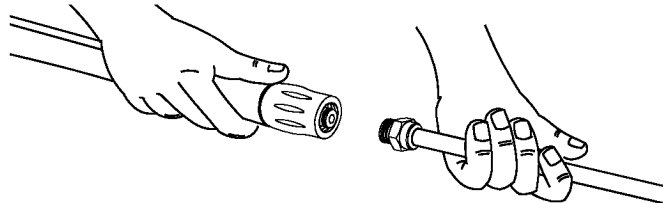
- Agarre la pistola de rociado con su mano izquierda y oprima el gatillo de la pistola de rociado. Observará un chorro delgado de agua saliendo de la pistola de rociado. Continúe oprimiendo el gatillo. Su mano izquierda también ayudará a estabilizar la unidad.
- Agarre la manija del arranque de retroceso con su mano derecha, de la forma ilustrada. Hale ligeramente la manija del arranque hasta que sienta cierta resistencia y luego hale rápidamente.



- Devuelva la manija del arranque lentamente. **No** permita que la soga "rebote violentamente" contra el arranque.
- Si la palanca del cebador fue puesta en la posición "Closed" para el arranque del motor, muévala lentamente a la posición "Open" a medida que el motor se caliente y funcione correctamente.
- Con el motor en funcionamiento, enganche el cerrojo de seguridad al gatillo de la pistola de rociado.



- Conecte la extensión para boquillas a la pistola de rociado. Apriete con la mano.



Cómo Detener su Sistema de Limpieza

- Mueva la palanca de la válvula de regulación a la posición "Stop" ("Parado").
- Mueva la palanca de la válvula del combustible a la posición "Off".
- **Apriete el gatillo de la pistola de rociado para eliminar la presión de la manguera.**

NOTA: Observará una pequeña cantidad de agua cuando elimine la presión.

- **Mueva la perilla selectora Dial-A-Cleaner™ a la posición OFF para evitar la fuga del químico.**

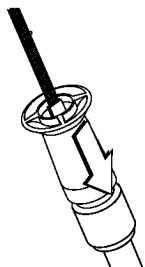
Cómo Usar la Boquilla Ajustable

Usted ya debe saber como darle ARRANQUE a su máquina lavadora a presión y como DETENERLA. La información de esta sección le dirá como ajustar el patrón de rociado y como aplicar detergente u otros químicos de limpieza.

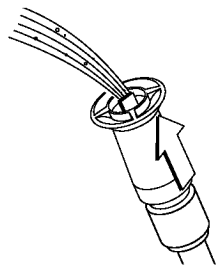
¡ADVERTENCIA! Nunca ajuste el patrón de rociado cuando esté rociando. Nunca coloque las manos en frente de la boquilla para ajustar el patrón de rociado.

En el extremo de su pistola de rociado existe una manija que puede mover hacia adelante y hacia atrás para ajustar el patrón de rociado para que sea de alta o baja presión.

- Usted también puede ajustar el patrón de rociado girando la boquilla para que esté concentrado en un patrón de chorro o un patrón expandido en abanico.



Mueva la boquilla hacia atrás para obtener el modo de alta presión.

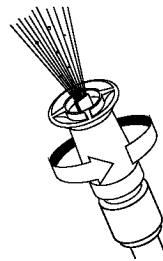


Mueva la boquilla hacia adelante para obtener el modo de baja presión y para la aplicación del detergente.

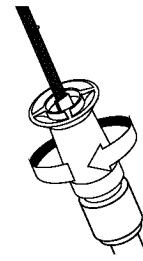
- Apunte la boquilla hacia el suelo, desenganche el cerrojo de seguridad y apriete el gatillo para probar el patrón de rociado.



- El patrón de rociado se ajusta de un patrón angosto a un patrón en abanico girando la boquilla.



Gire la boquilla en sentido contrario a las manecillas del reloj para un patrón de rociado en abanico.



Gire la boquilla en sentido de las manecillas del reloj para un patrón de rociado a chorro.

- Para una limpieza más efectiva, mantenga la boquilla de rociado de 8 a 24 pulgadas de la superficie de limpieza.
- Si coloca la boquilla de rociado demasiado cerca podría dañar la superficie, especialmente cuando esté usando el modo de alta presión.
- **No** coloque la boquilla a menos de 8 pulgadas cuando esté limpiando llantas.

Trabajo de Limpieza con la Boquilla Ajustable

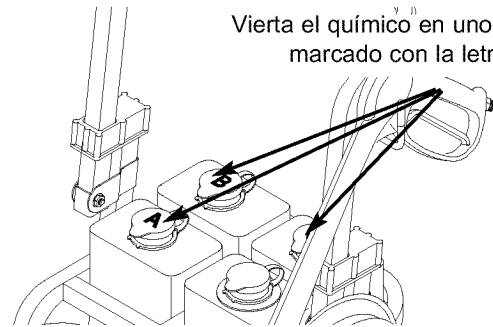
¡PRECAUCION! Antes de darle arranque a su sistema de limpieza, asegúrese de haber leído y seguido las instrucciones de las secciones "Montaje de su Sistema de Limpieza" y "Para Poner en Marcha el Sistema de Limpieza".

IMPORTANTE: Utilice jabones diseñados específicamente para sistemas de limpieza de máquinas lavadoras a presión. Los detergentes caseros podrían dañar la bomba.

IMPORTANTE: Usted deberá conectar todas las mangueras antes de darle arranque al motor. Arrancar el motor sin tener todas las mangueras conectadas y sin el suministro de agua ABIERTO (ON) causará el daño de la bomba.

Se pueden tener hasta tres (3) diferentes soluciones en el sistema de limpieza al mismo tiempo. Para aplicar el detergente, siga los siguientes pasos:

- Es necesario diluir los paquetes de químicos suministrados. Tan solo corte una esquina de la bolsa plástica, vierta el químico en el tanque, después llene el tanque con agua limpia. Coloque los rótulos suministrados en los tanques correspondientes.



Vierta el químico en uno de los tanques marcado con la letra A, B, C.

- Si está usando otro químico diseñado para uso en máquinas lavadoras a presión, prepare la solución química siguiendo las instrucciones del fabricante del químico. Llene el recipiente(s) del químico con la solución preparada.
- Gire la perilla selectora Dial-A-Cleaner™ y colóquela en la letra que corresponda al recipiente que desea usar.

- Mueva la boquilla ajustable hacia adelante para obtener el modo de baja presión. **El detergente no puede ser aplicado si tiene la boquilla en la posición de alta presión.**
- Conecte la manguera de jardín a la entrada del agua, revise que la manguera de alta presión esté conectada a la pistola de rociado y a la bomba (vea la página 33) y dele arranque al motor.



¡ADVERTENCIA! Sea extremada-mente cuidadoso si debe usar el sistema de limpieza desde una escalera, andamio o cualquier superficie relativamente inestable. Cuando oprima el gatillo, la fuerza de reacción del rociado inicial podría hacerlo caer, o si está muy cerca de la superficie de limpieza, la fuerza de la alta presión podría sacarlo del dispositivo de elevación donde se encuentra parado.

- Comience en la porción inferior del área que va a lavar y dirijase hacia arriba, usando movimientos parejos, largos y superpuestos.
- Permita que el detergente ‘penetre’ (entre 3-5 minutos) antes de lavar y enjuagar. Vuelva a aplicar cuando sea necesario para evitar que la superficie se seque.

Lavado y Enjuague de la Superficie

Después de haber aplicado el detergente, lave la superficie con agua a alta presión y después enjuague hasta que esté limpia de la siguiente manera:

- Mueva la boquilla ajustable hacia atrás para obtener el modo de alta presión. No habrá circulación de químico si está en el modo de alta presión.
- Expanda el patrón de rociado para obtener una acción de enjuague más suave. Comience en la parte superior del área que va a enjuagar dirigiéndose hacia abajo con la misma acción usada para limpieza.

¡PRECAUCION! Haga una prueba en un área pequeña de la superficie que va a limpiar. Asegúrese de que el rociado de alta presión no cause daños en la superficie.

Enjuague el Sistema Después de Cada Uso

Es muy importante que el sistema dispensador de químicos sea enjuagado después de cada uso para evitar que se tape o que presente fugas:

- Llene el recipiente para Enjuague del Sistema con agua limpia.
- Antes de desconectar el suministro de agua, ponga en funcionamiento el sistema de limpieza.
- Mueva la boquilla ajustable hacia adelante para obtener el modo de baja presión.
- Coloque la perilla selectora Dial-A-Cleaner™ en la letra que corresponda al tanque de Enjuague del Sistema. A medida que el agua de enjuague limpia circula por el sistema, permita que dicha circulación continúe hasta que deje de observar espuma de detergente.
- **Mueva la perilla selectora Dial-A-Cleaner™ a la posición OFF cuando termine para evitar la fuga de químicos.**

Succión de Líquidos

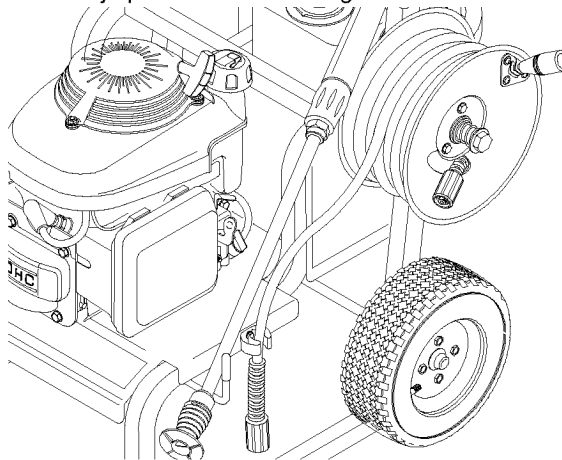
No utilice agua estancada como suministro de agua. El agua sucia, contaminada o salobre puede dañar la bomba. Use únicamente el suministro de agua de su casa.

Cómo Usar el Carrete de la Manguera

Su máquina lavadora a presión está equipada con un carrete diseñado para almacenar la manguera cuando la unidad no está siendo usada. Estas instrucciones se aplican únicamente para almacenamientos por un corto período de tiempo. Para almacenamiento prolongado consulte la sección “Almacenamiento” de la página 43.

Después de cada uso:

- Desconecte la manguera de la pistola y la toma de alta presión de la bomba.
- Drene el agua de la manguera.
- Pase un extremo de la manguera por el orificio del carrete de la manguera. Haga girar el carrete con la manija para enrollar la manguera en el carrete.



- Coloque el otro extremo de la manguera en la presilla ubicada en el costado de la unidad.

IMPORTANTE: No use la máquina lavadora a presión teniendo la manguera enrollada en el carrete. El carrete es únicamente para su almacenamiento.

Sugerencias

- **Nunca** use la entrada de la manguera de jardín para succionar detergente o cera.
- Si tiene la boquilla de rociado demasiado lejos de la superficie que está limpiando, la limpieza no será tan efectiva.
- Siempre almacene el sistema de limpieza con la perilla selectora Dial-A-Cleaner™ en la posición “OFF”.

Sistema de Enfriamiento Automático (Alivio Térmico)

El agua que circula dentro de la bomba puede alcanzar temperaturas entre los 140-145°F si hace funcionar el motor de su máquina lavadora a presión de 3 a 5 minutos sin oprimir el gatillo de la pistola de rociado. El sistema de enfriamiento automático se activa a esta temperatura y enfría la bomba descargando agua caliente en el piso, evitando así el daño interno de la bomba.

MANTENIMIENTO

RESPONSABILIDADES DEL PROPIETARIO

Siga el programa de mantenimiento según el número de horas o según el calendario, lo que suceda primero. Se requiere de servicio con mayor frecuencia cuando opere la unidad en las condiciones adversas descritas a continuación.

HORARIO DE MANTENIMIENTO COLOQUE LAS FECHAS A MEDIDA QUE VA COMPLETANDO EL SERVICIO REGULAR	INTERVALO DE OPERACION POR HORA				FECHAS DE SERVICIO			
	Antes de cada uso	Cada 25 Horas o Anualmente	Cada 100 Horas o Anualmente	Cada 200 Horas o Anualmente				
TAREA DE MANTENIMIENTO								
MAQUINA LAVADORA A PRESION								
Revise/limpie el colador de la entrada de agua de la conexión rápida.	X†							
Revise la manguera de alta presión.	X							
Revise la manguera del detergente.	X							
Revise la pistola de rociado y el conjunto	X							
Elimine el aire y los contaminantes de la bomba.	X							
MOTOR								
Revise el nivel de aceite	X							
Cambie el aceite del motor.		X*						
Proporcione servicio al depurador de aire.			X**					
Limpie la bujía.			X					
Reemplace la bujía.				X				
Proporcione servicio al apagachispas.			X					
Prepare la unidad para almacenamiento.	Prepare la unidad para almacenamiento si va a estar fuera de servicio por más de 30 días.							

† Limpiar si está obstruido. Reemplazar si está perforado o roto.

* Cambiar el aceite después de las primeras (5) horas y después cada 25 horas. Hacer el cambio de aceite con mayor frecuencia cuando trabaje en condiciones de mucha suciedad o polvo.

** Reemplazar más a menudo bajo condiciones de suciedad o polvo.

ESPECIFICACIONES DEL PRODUCTO

Especificaciones de la Máquina Lavadora a Presión

Presión 2400 PSI
 Velocidad de flujo 2.2 GPM
 Mezcla de químicos Use según instrucciones
 Temperatura del suministro de agua Que no exceda los 100°F

Especificaciones del Motor

Caballos de fuerza 5.5 HP
 Bujía
 Tipo: BPR6ES (NGK) o similar
 Calibre la separación a: 0.028pulg. (0.70mm)-
 0.031pulg. (0.80mm)
 Capacidad de gasolina 1.2 Cuartos
 Aceite
 Por encima de 50°F SAE 30
 Uso General SAE 10W-30

RECOMENDACIONES GENERALES

La garantía del sistema de limpieza no cubre los elementos que han sido sujetos a abuso o negligencia por parte del operador. Para recibir el valor total de la garantía, el operador deberá mantener el sistema de limpieza como se indica en este manual.

Algunos ajustes tendrán que hacerse periódicamente para mantener adecuadamente su sistema de limpieza.

Todos los servicios y ajustes deberán hacerse por lo menos una vez en cada estación. Siga las instrucciones de la tabla "Programa de Mantenimiento" descrita anteriormente.

NOTA: Una vez al año, usted deberá limpiar o reemplazar la bujía y reemplazar el filtro de aire. Una bujía nueva y un filtro de aire limpio garantizan una mezcla de combustible-aire adecuada y le ayuda a su motor a funcionar mejor y a tener una vida útil más prolongada.

ANTES DE CADA USO

- Revise el nivel de aceite del motor.
- Revise si existen daños en el colador de la entrada de agua.
- Revise si existen fugas en la manguera de alta presión.
- Revise si existen daños en los filtros y tanques de químicos.
- Revise si existen fugas en el conjunto de la extensión para boquillas y pistola.
- Elimine el aire y los contaminantes de la bomba.

MANTENIMIENTO DE LA MAQUINA LAVADORA A PRESION

Revise y Limpie el Colador de Entrada

Examine el colador de entrada de la manguera de jardín. Límpielo si está tapado o replacelo si está roto.

Revise la Manguera de Alta Presión

Las mangueras de alta presión pueden desarrollar fugas debido al desgaste, dobleces o abuso. Revise la manguera antes de cada uso. Revise si existen cortes, fugas, abrasiones, levantamiento de la cubierta, daño o movimiento de los acoplamientos. Si existe cualquiera de estas condiciones, remplace la manguera inmediatamente.



¡PRECAUCION! Nunca repare la manguera de alta presión. Replacela con una manguera que cumpla con la capacidad mínima de presión de su sistema.

Revise los Recipientes de los Químicos

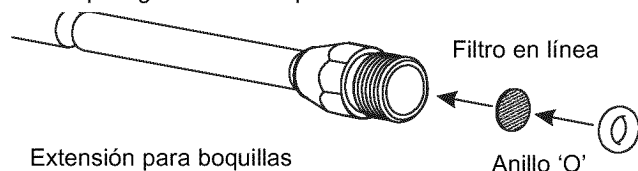
Las cubiertas de los tanques deben ajustar firmemente en el tanque. Asegúrese que los rótulos de los químicos identifiquen correctamente el contenido del tanque. Asegúrese que el tanque de Enjuague del Sistema esté lleno con agua limpia. Asegúrese que la perilla selectora Dial-A-Cleaner™ gire sin problemas entre posiciones. Examine los tanques y remplace si el filtro está tapado.

Revise la Pistola y la Extensión para Boquillas

Examine la conexión de la manguera a la pistola y cerciorese de que esté en buen estado. Pruebe el gatillo oprimiéndolo y asegurándose de que se devuelve a su sitio cuando lo suelte. Coloque el cerrojo de seguridad en la posición UP y pruebe el gatillo. Usted no debe ser capaz de oprimir el gatillo. Reemplace la pistola inmediatamente si falla cualquiera de estas pruebas.

Revise el Filtro en Línea

Consulte la ilustración y suministre servicio al filtro en línea si se tapa siguiendo estos pasos:



1. Retire la pistola y la extensión para boquillas de la manguera de alta presión. Retire la extensión para boquillas de la pistola y retire el anillo 'o' y el colador de la extensión para boquillas. Lave el colador, pistola y extensión para boquillas con agua limpia para eliminar toda clase de residuos.
2. Si el colador está dañado, encontrará un colador para el filtro en línea y un anillo 'o' de repuesto en el juego de anillos 'o'. Si no está dañado, vuelva a usarlo.
3. Coloque el colador del filtro en línea en el extremo con rosca de la extensión para boquillas. Su dirección no importa. Coloque el colador ejerciendo presión con el borrador de un lápiz hasta que se asiente por completo en el fondo de la abertura. Tenga cuidado de no doblar el colador.
4. Coloque el anillo 'o' en la ranura respectiva. Empuje el anillo 'o' hasta que quede ajustado contra el colador del filtro en línea.
5. Conecte la extensión para boquillas a la pistola de rociado de la manera descrita anteriormente en este manual.

Elimine el Aire y los Contaminantes de la Bomba

Para retirar el aire de la bomba, siga los siguientes pasos:

- Instale el sistema de limpieza como está descrito en "Montaje Del Sistema Limpieza" y conecte el suministro de agua.
- Hale el gatillo de la pistola y manténgalo apretado hasta que obtenga una corriente de agua constante.

Para retirar los contaminantes de la bomba, siga los siguientes pasos:

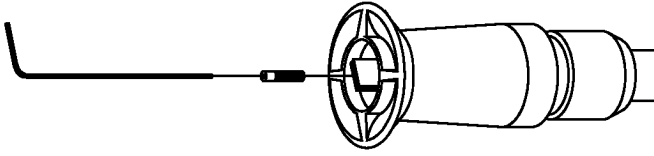
- Instale el sistema de limpieza como está descrito en "Montaje Del Sistema Limpieza" y conecte el suministro de agua.
- Retire el accesorio para boquillas de la pistola.
- Ponga en marcha el motor de acuerdo a las instrucciones de "Como Usar Su Sistema De Limpieza".
- Hale el gatillo de la pistola y manténgalo apretado.
- Cuando el suministro de agua sea uniforme y constante, enganche el cerrojo de seguridad y vuelva a ajustar el accesorio para boquillas.

Mantenimiento de la Boquilla

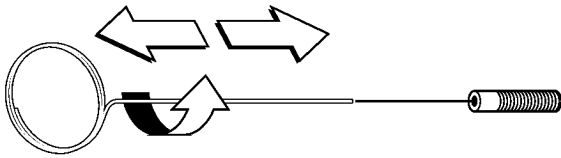
Si siente una sensación pulsante al momento de apretar el gatillo de la pistola rociadora, puede que sea causada por la presión excesiva en la bomba. La causa principal de la presión excesiva en la bomba es cuando la boquilla se encuentra atascada o tapada con materiales extraños, tales como tierra, etc. Para corregir el problema, limpie inmediatamente la boquilla usando las herramientas incluidas con su lavador a presión y siga las instrucciones siguientes:

1. Apague el motor y apague el suministro de agua.

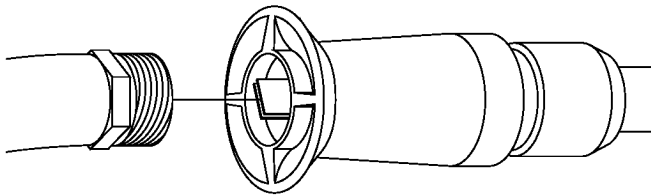
2. Remueva la boquilla del extremo de la extensión de la boquilla. Separe la extensión de la boquilla, de la pistola rociadora. Gire la boquilla en dirección de las agujas del reloj, a la posición "stream" (chorro). Usando la llave de Allen de 2mm (5/64) provista, remueva la boquilla del extremo de la extensión de la boquilla.



3. Quite el en el filtro de la línea del otro fin de la extensión de boquilla.
4. Use el alambre incluido en el juego (o un pequeño sujeta papeles) para liberar cualquier material extraño que esté tapando la boquilla.



5. Usando una manguera de jardín, remueva cualquier desecho adicional, poniendo agua en la extensión de la boquilla. Haga ésto de 30 a 60 segundos. Gire la extensión de la boquilla ajustable a "stream spray" (chorro rociador) y mueva la boquilla de "low" (bajo) a "high" (alto), mientras drene el agua.



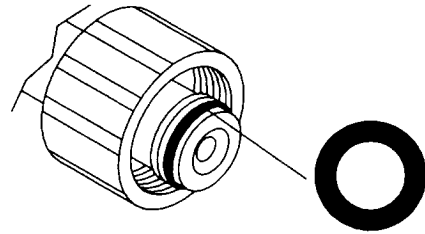
6. Instale de nuevo la boquilla y en el filtro en-línea en la extensión. **No** la apriete demasiado con la llave Allen.
7. Conecte de nuevo la extensión de la boquilla a la pistola rociadora.
8. Conecte de nuevo el suministro de agua, prenda el agua, y encienda el motor.
9. Pruebe el lavador a presión al hacer funcionar la boquilla en la posición "high" y "low".

Mantenimiento de los Anillos 'o'

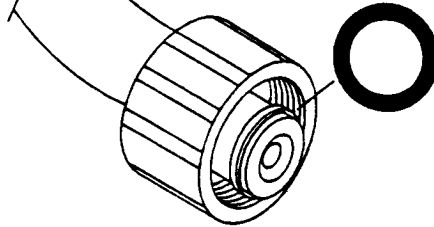
Durante la operación normal de su sistema de limpieza los anillos 'o' mantienen apretadas y libres de fugas las conexiones de las mangueras y la pistola. Ellos pueden desgastarse o dañarse con el uso. Su sistema de limpieza viene con un Juego de Mantenimiento para anillos 'O', el cual contiene anillos 'o', una arandela de caucho y un colador de repuesto para la entrada de la manguera de jardín.

Las partes del Juego de Anillos 'o'incluyen:

- 1 anillo 'o' rojo, (p/n B2726) para el extremo de la conexión de la pistola de rociado entre la pistola y la extensión para boquillas.

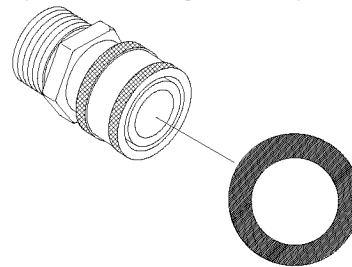


- 1 anillo 'o' amarillo, (p/n B2264) para el extremo de la manguera de alta presión.

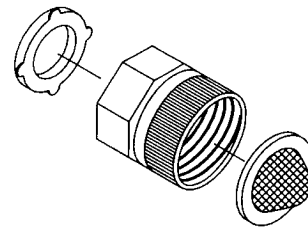


NOTA: Los dos anillos 'o' anteriores tienen un tamaño similar. Por favor compárelos y asegúrese de usarlos en el lugar correcto.

- 1 anillo 'o' azul, (p/n B3065) para la parte interna de la conexión rápida de la manguera a la pistola.



- 1 arandela de caucho (p/n B2385) para la parte interna del conector de la manguera de jardín.



- 1 colador para la entrada de agua (p/n B2384) para el conector de la manguera de jardín.

Para retirar un anillo 'o' desgastado o dañado:

- Utilice un destornillador de cabeza plana pequeño, colóquelo por debajo del anillo 'o' y sáquelo haciendo palanca.

MANTENIMIENTO DEL MOTOR

Revisión del Nivel del Aceite

El nivel del aceite deberá ser revisado antes de cada uso o al menos cada 5 horas de operación. Conserve el nivel del aceite.

Cambio de Aceite

Cambie el aceite del motor después de las primeras 5 horas y cada 25 horas a partir de ese momento. Si está utilizando su sistema de limpieza bajo condiciones de extrema suciedad o polvo, o en un clima demasiado caliente, haga el cambio de aceite más a menudo.

¡PRECAUCIÓN! Evite el contacto prolongado o repetido de piel con aceite usado de motor. El aceite usado del motor ha sido mostrado al causar el cáncer de la piel de la causa en ciertos animales del laboratorio. Completamente lavado expuso áreas con el jabón y el agua.
MANTENGA FUERA DE ALCANCE DE NIÑOS. NO CONTAMINE. CONSERVE los RECURSOS. VUELVA ACEITE USADO A la COLECCION CENTRA.

Cambie el aceite con el motor caliente después del funcionamiento, como se indica a continuación:

- Gire la válvula de combustible a la posición "OFF" para reducir el riesgo de fugas de combustible.
- Retire toda la gasolina del tanque de combustible.
- Limpie el área alrededor de la abertura para llenado de aceite, retire la varilla de medición de aceite y límpiela.
- Inserte y retire la varilla de medición sin atornillarla en el orificio de llenado.
- Inclíne su máquina lavadora a presión para drenar el aceite a través del tubo de la varilla de medición a un recipiente adecuado. Cuando la caja del cigüeñal esté vacía, vuelva a colocar la máquina lavadora a presión en posición vertical. Limpie el aceite que haya derramado.
- Deposite el aceite lentamente hasta que llegue a la marca "UPPER LIMIT" ("LÍMITE SUPERIOR") de la varilla de medición. Pare de vez en cuando y revise el nivel del aceite.
- Si el nivel del aceite se encuentra cerca o por debajo de la marca límite de la varilla de medición, deposite el aceite recomendado hasta que llegue a la marca del límite superior. **NO LLENE EXCESIVAMENTE.**
- Instale y apriete la varilla de medición del aceite con la mano.
- Limpie los residuos de aceite.

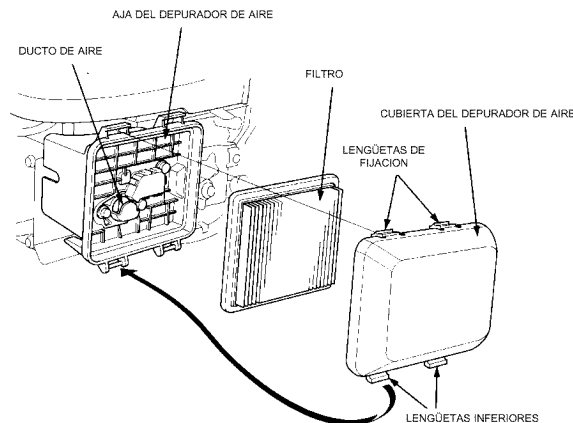
Servicio del Depurador de Aire

Su motor no funcionará adecuadamente y puede dañarse si usted lo hace funcionar con un depurador de aire sucio.

Reemplace el depurador de aire una vez cada 200 horas de operación o una vez por año, lo que suceda primero. Reemplácelo más frecuentemente si la unidad funciona bajo condiciones de mucha suciedad o polvo. Los repuestos se encuentran disponibles en su centro de servicio local Sears.

Para reemplazar el depurador de aire, siga los siguientes pasos:

- Oprima las lengüetas de fijación ubicadas en la parte superior de la cubierta del depurador de aire y retire la cubierta.



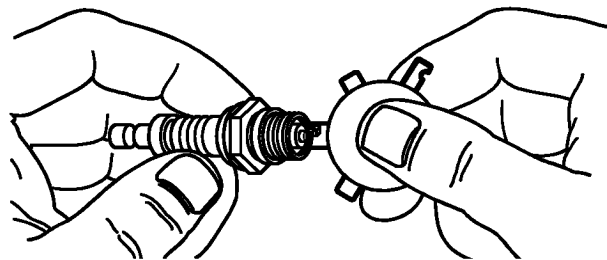
- Retire cuidadosamente el elemento del filtro de aire sucio para evitar que la suciedad caiga dentro del carburador. Descártelo.
- Limpie la parte interna de la caja del filtro utilizando un trapo húmedo.
- Vuelva a colocar un elemento de filtro de aire nuevo y la cubierta.

Limpie / Reemplace la Bujía

Revise y limpie la bujía cada 100 horas de operación. Reemplace la bujía una vez al año o cada 200 horas de operación.

¡PRECAUCIÓN! Desconecte el alambre de la bujía y manténgalo alejado de la misma cuando suministre servicio al motor.

- Limpie el área alrededor de la bujía.
- Retire y revise la bujía.
- Cambie la bujía si los electrodos están desgastados, o si el aislador está roto o partido. Para su reemplazo, utilice una bujía BPR6ES (NGK) o similar.
- Revise la separación del electrodo con un calibrador de alambre y ajuste la separación a 0.028 pulgadas - 0.031 pulgadas (0.70 mm - 0.80 mm) si es necesario.



- Instale la bujía y apriete la firmemente.

Carburador

Si usted cree que su carburador necesita ajuste, visite su centro de servicio Sears más cercano. El funcionamiento del motor podría resultar afectado a altitudes por encima de 4000 pies. Para operaciones a elevaciones mayores, póngase en contacto con el centro de servicio Sears más cercano.

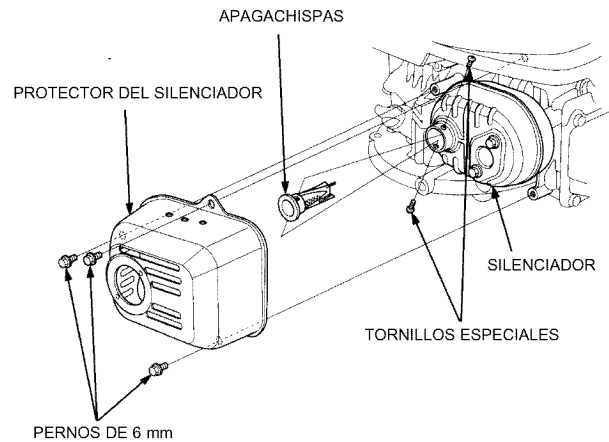
Servicio del Apagachispas

El motor de su unidad no viene equipado de fábrica con un apagachispas. En ciertas áreas, es ilegal operar motores que no tengan apagachispas. Revise las leyes y regulaciones locales. Si necesita apagachispas, lo puede comprar en su centro de servicio Sears más cercano.

Deberá suministrarle servicio al apagachispas cada 100 horas para conservarlo en buenas condiciones de funcionamiento.

Si el motor ha estado funcionando, el silenciador estará bastante caliente. Deje que el silenciador se enfríe para poder darle servicio al apagachispas.

- Retire los tres pernos de 6 mm del protector del silenciador y retire el protector del silenciador.



- Retire los dos tornillos especiales del apagachispas y retire el apagachispas del silenciador.
- Utilice un cepillo para retirar los depósitos de carbono de la pantalla del apagachispas. Sea cuidadoso y evite dañar la pantalla. El apagachispas no debe tener rupturas y orificios. Reemplace el apagachispas si está dañado.
- Instale el apagachispas y el protector del silenciador en el orden contrario al usado para su desarme.

ALMACENAMIENTO

DESPUES DE CADA USO

No deberá haber agua en la unidad por largos períodos de tiempo. Los sedimentos de minerales se pueden depositar en partes de la bomba y “congelar” su funcionamiento. Lleve a cabo estos procedimientos después de cada uso:

- Lave el sistema de químicos seleccionando el tanque de enjuague del sistema y haciendo funcionar la máquina lavadora a presión con la boquilla en el modo de baja presión. Lave por un minuto o hasta que se haya eliminado el químico del sistema.
- Apague el motor y déjelo enfriar, después retire todas las mangueras.
- Desconecte el alambre de la bujía.
- Saque todos los líquidos de la bomba halando la manija de retroceso aproximadamente 6 veces. Esto deberá evacuar la mayoría del líquido de la bomba.
- Gire la perilla selectora Dial-A-Cleaner™ a la posición OFF.
- Enrolle la manguera de alta presión y revísela para ver si presenta daños. Los cortes en la manguera o el desgaste de la misma pueden ocasionar fugas y pérdida de presión. Si encuentra algún daño, reemplace la manguera. **No** intente reparar una manguera dañada. Reemplace la manguera con la parte Craftsman genuina.
- Desconecte la manguera de la pistola y la toma de alta presión de la bomba. Drene el agua de la manguera, pistola, y extensión de la boquilla y límpiela con un trapo.

- Pase un extremo de la manguera por el orificio del carrete de la manguera. Haga girar el carrete con la manija para enrollar la manguera en el carrete. Coloque el otro extremo de la manguera en la presilla ubicada en el costado de la unidad.
- Vuelva a conectar el alambre a la bujía.
- Almacene el sistema en una área limpia y seca



¡ADVERTENCIA! Nunca almacene el motor con combustible en el tanque en recintos cerrados o en áreas encerradas con poca ventilación donde los vapores puedan entrar en contacto con llamas abiertas, chispas o luces de piloto.

ALMACENAMIENTO PARA INVIERNO

¡PRECAUCION! Usted deberá proteger su unidad de las temperaturas de congelamiento. Si no lo hace, dañará permanentemente la bomba y la unidad no podrá funcionar.

Para proteger la unidad de las temperaturas de congelamiento:

- Vacíe todos los recipientes de químicos de la siguiente manera:
 1. Desconecte la manguera conectada al adaptador de inyección de químicos de la bomba. Coloque el extremo de la manguera en un recipiente adecuado.

2. Mueva la perilla selectora al Tanque A y abra la cubierta del tanque. La fuerza de gravedad se encargará de vaciar el contenido del tanque en el recipiente.
 3. Cuando el tanque esté vacío, repita el paso (b) para los tanque B y C, utilizando un recipiente diferente para cada químico.
 4. Vuelva a conectar la manguera al adaptador de inyección de químicos de la bomba. Añada 0.5 litros de agua limpia a cada tanque y cierre las cubiertas de los tanques.
- Enjuague el sistema de químicos seleccionando un tanque y ponga en funcionamiento la máquina lavadora a presión con la boquilla en el modo de baja presión. Enjuague hasta que cada tanque esté vacío, después mueva la perilla selectora al siguiente tanque. El último tanque que se debe vaciar es el tanque de Enjuague del Sistema.
 - Conecte un pedazo de manguera de jardín de 3 pies al adaptador de entrada del agua. Vierta anticongelante RV (anticongelante sin alcohol) en la manguera. Hale la manija de retroceso dos veces. Retire la manguera de 3 pies.

ALMACENAMIENTO PROLONGADO

Si usted no planea usar la máquina lavadora a presión por más de 30 días, deberá preparar el motor para un almacenamiento prolongado.

Es importante evitar la formación de depósitos de goma en las partes esenciales del sistema del combustible tales como carburador, filtro del combustible, manguera o tanque del combustible durante el almacenamiento. También, la experiencia indica que los combustibles con mezclas de alcohol (llamados gasohol, etanol o metanol) pueden atraer la humedad, lo que lleva a la separación y formación de ácidos durante el almacenamiento. La gasolina ácida puede dañar el sistema del combustible de un motor durante el almacenamiento.

Proteja el Sistema de Combustible



¡ADVERTENCIA! Drene el combustible en un área despejada, lejos de llamas abiertas y en un recipiente adecuado. Asegúrese que el motor esté frío. **No Fume.**

- Retire toda la gasolina del tanque del combustible para evitar la formación de depósitos de goma en dichas partes esenciales y causar un mal funcionamiento del motor.
- Haga funcionar el motor hasta que se detenga por falta de combustible. Asegúrese de tener conectado y ABIERTO el suministro del agua a la entrada de la bomba.

Cambio de Aceite

Con el motor todavía caliente, drene el aceite de la caja del cigüeñal. Vuelva a llenarlo con el grado de aceite recomendado. (Vea "Cambio de Aceite" en la página 42).

Aceite el Diámetro Interior del Cilindro

- Retire la bujía. Rocíe aproximadamente 1 onza (30 ml) de aceite limpio para motor dentro del cilindro. Cubra el orificio de la bujía con un trapo. Hale la manija de retroceso lentamente para distribuir el aceite. Evite el rociado del orificio de la bujía. **from spark plug hole.**
- Instale la bujía. **No** conecte el alambre de la bujía.

OTROS

- **No** almacene gasolina de una estación a otra.
- Si es posible, almacene su unidad en un recinto cerrado y cúbrala para protegerla del polvo y la suciedad.
ASEGURESE DE VACIAR EL TANQUE DEL COMBUSTIBLE.

IMPORTANTE: Nunca cubra su sistema de limpieza cuando el motor y el área del escape estén calientes.

REPARACION DE DAÑOS

Problema	Causa	Solución
La bomba presenta los siguientes problemas: no produce presión, produce una presión errada, traqueteo, pérdida de presión, bajo volumen de agua.	<ol style="list-style-type: none"> 1. La boquilla está en el modo de baja presión. 2. La entrada de agua está bloqueada. 3. Suministro de agua inadecuado. 4. La manguera de entrada está doblada o presenta fugas. 5. El colador de la manguera de entrada está tapado. 6. El suministro de agua está por encima de los 100°F. 7. La manguera de alta presión está bloqueada o presenta fugas. 8. La pistola presenta fugas. 9. La boquilla está obstruida. 10. Bomba defectuosa. 	<ol style="list-style-type: none"> 1. Mueva la boquilla hacia atrás para el modo de alta presión. 2. Limpie la entrada. 3. Proporcione flujo de agua adecuado. 4. Estire la manguera de entrada, coloque un parche en la fuga. 5. Revise y limpie el colador de la manguera de entrada. 6. Proporcione suministro de agua más fría. 7. Retire las obstrucciones de la manguera de salida. 8. Reemplace la pistola. 9. Limpie la boquilla. 10. Póngase en contacto con el centro de servicio Sears.
El detergente no se mezcla con el rociado.	<ol style="list-style-type: none"> 1. La línea detergente se ha obstruido o está doblada. 2. El filtro del tanque de los químicos está tapado. 3. Sucio en el filtro de la línea. 4. La boquilla está en el modo de alta presión. 5. La perilla Dial-a-Cleaner™ está en la posición de apagado 	<ol style="list-style-type: none"> 1. Repare o reemplace la línea del detergente. 2. Reemplace el tanque. 3. Vea "Cheque En el Filtro de la Línea" en la página 40. 4. Mueva la boquilla hacia adelante para el modo de baja presión. 5. Gire la perilla a la posición del químico que desea.
El motor funciona bien cuando no tiene cargas, pero funciona "mal" cuando se conecta una carga.	La velocidad del motor es demasiado lenta.	Mueva el control de la válvula de regulación a la posición FAST (RAPIDO). Si el motor continúa funcionando mal, póngase en contacto con el centro de servicio Sears.
El motor no arranca; o arranca y funciona mal.	<ol style="list-style-type: none"> 1. Bajo nivel de aceite. 2. Depurador de aire sucio. 3. Sin gasolina. 4. Gasolina vieja. 5. El alambre de la bujía no está conectado a la bujía. 6. Bujía mala. 7. Agua en la gasolina. 8. Estrangulación excesiva. 9. Mezcla de combustible demasiado rica. 10. Válvula de entrada trabada en la posición abierta o cerrada. 11. El motor ha perdido compresión. 	<ol style="list-style-type: none"> 1. Llene la caja del cigüeñal hasta el nivel correcto. 2. Limpie o reemplace el depurador de aire. 3. Llene el tanque de combustible. 4. Drene el tanque de gasolina; llénelo con combustible fresco. 5. Conecte el alambre a la bujía. 6. Reemplace la bujía. 7. Drene el tanque de gasolina; llénelo con combustible fresco. 8. Abra el cebador por completo y haga girar el motor. 9. Póngase en contacto con el centro de servicio Sears. 10. Póngase en contacto con el centro de servicio Sears. 11. Póngase en contacto con el centro de servicio Sears.
El motor se apaga durante la operación.	<ol style="list-style-type: none"> 1. Sin gasolina. 2. Bajo nivel de aceite. 	<ol style="list-style-type: none"> 1. Llene el tanque de combustible. 2. Llene la caja del cigüeñal hasta el nivel correcto.
El motor no tiene fuerza.	Filtro de aire sucio.	Reemplace el filtro de aire.
El motor intenta estabilizarse o su funcionamiento no es constante.	Cebador abierto demasiado rápido	Mueva el cebador a la posición intermedia hasta que el motor funcione normalmente.

NOTAS

GARANTÍA DEL SISTEMA DE CONTROL DE EMISIONES

Sus Obligaciones y Derechos de Garantía

La Junta Directiva de Recursos Ambientales de California ("CARB") y Sears Roebuck and Co. USA, tienen el gusto de explicar la Garantía del Sistema de Control de Emisiones de su motor (motor) pequeño año 2000 y modelos posteriores. En California, los motores nuevos deben ser diseñados, fabricados y equipados para cumplir con los estrictos estándares anti-polución del Estado. Sears deberá garantizar el sistema de control de emisiones de su motor por los períodos de tiempo enlistados a continuación, con tal de que no haya habido abuso, negligencia o mantenimiento inadecuado de su motor.

Su sistema de control de emisiones incluye partes como el carburador y el sistema de ignición.

Donde exista una condición que se pueda garantizar, Sears reparará su motor sin costo alguno para usted. Los gastos cubiertos bajo la garantía incluyen diagnóstico, partes y mano de obra.

Cubrimiento de Garantía del Fabricante

Los motores modelo año 2000 y posteriores están garantizados por dos años. Si alguna parte de su motor relacionada con las emisiones (lista a continuación) es defectuosa, ésta será reemplazada o reparada por Sears.

Responsabilidades de Garantía del Propietario

Como propietario del motor, usted es responsable de la realización del mantenimiento requerido enlistado en este manual del propietario. Sears le recomienda conservar todos los recibos que cubran el mantenimiento de su motor. Sin embargo, Sears no puede negar los derechos de garantía tan solo debido a la falta de los recibos o por que no se haya asegurado de realizar todo el mantenimiento programado.

Como propietario del motor, usted debe saber que Sears puede negar el cubrimiento de la garantía si su motor, o una parte del mismo, ha fallado debido a abuso, negligencia, mantenimiento inadecuado, modificaciones no aprobadas, o por el uso de partes que no hayan sido fabricadas o aprobadas por el fabricante original del equipo.

Usted es responsable de llevar su motor a un centro de reparación autorizado Sears tan pronto como aparezca el problema. Las reparaciones de garantía deberán terminarse en un período de tiempo razonable, que no exceda los 30 días.

Si tiene preguntas acerca de sus responsabilidades y derechos de garantía, deberá ponerse en contacto con su centro de servicio autorizado más cercano o llamar a Sears al 1-800-473-7247.

Fecha de Inicio de la Garantía

El período de la garantía comienza en la fecha de entrega del motor.

Duración del Cubrimiento

Sears garantiza al propietario inicial y a cada comprador subsecuente, que el motor está libre de defectos en materiales y mano de obra que puedan causar falla de la parte garantizada por un período de dos años.

QUE ESTA CUBIERTO

Reparación o Reemplazo de Partes

- La reparación o el reemplazo de cualquier parte garantizada se realizará sin ningún costo para el propietario en un centro de servicio aprobado Sears.

- Si tiene preguntas acerca de sus responsabilidades y derechos de garantía, deberá ponerse en contacto con su centro de servicio autorizado más cercano o llamar a Sears al 1-800-473-7247.

Período de Garantía

Cualquier parte garantizada que no haya sido programada para reemplazo como mantenimiento requerido, o que esté programada únicamente para inspección bajo la condición de "repare o reemplace cuando sea necesario", será garantizada por 2 años. Cualquier parte garantizada que esté programada para reemplazo según el mantenimiento requerido será garantizada por el período de tiempo hasta su primer reemplazo programado.

Diagnóstico

No se le cobrará al propietario los costos del trabajo diagnóstico que lleve a la conclusión de que la parte garantizada es defectuosa, si dicho trabajo diagnóstico es hecho en un centro de servicio Sears aprobado.

Daños Consecuenciales

Sears puede ser responsable por daños a otros componentes del motor causados por la falla de una parte garantizada que aún está bajo garantía.

QUE NO ESTA CUBIERTO

No serán cubiertas las fallas causadas por abuso, negligencia o mantenimiento inadecuado.

Partes Agregadas o Modificadas

El uso de partes agregadas o modificadas puede ser motivo suficiente para negar reclamos bajo garantía. Sears no es responsable de cubrir fallas de partes garantizadas causadas por el uso de partes agregadas o modificadas.

Cómo Presentar un Reclamo

Si tiene preguntas acerca de sus responsabilidades y derechos de garantía, deberá ponerse en contacto con su centro de servicio autorizado más cercano o llamar a Sears al 1-800-473-7247.

Donde se Obtiene el Servicio de Garantía

Las reparaciones o servicios de garantía serán proporcionados en todos los centros de servicio autorizados Sears.

Mantenimiento, Reemplazo y Reparación de Partes Relacionadas con Emisiones

Cualquier repuesto aprobado por Sears usado en la realización de cualquier mantenimiento o reparación de garantía en partes relacionadas con las emisiones, será suministrado sin costo alguno al propietario si la parte está bajo garantía.

Lista de Partes en Garantía del Control de Emisiones

1. Conjunto del carburador
2. Sistema de ignición
 - a. Bujía, cubierta hasta el programa de mantenimiento.
 - b. Módulo de ignición
3. Tubo del respiradero de la caja del cigüeñal
4. Múltiple de escape

For in-home major brand repair service:

Call 24 hours a day, 7 days a week

1-800-4-MY-HOMESM (1-800-469-4663)

Para pedir servicio de reparación a domicilio - 1-800-676-5811

In Canada for all your service and parts needs call - **1-800-665-4455**
Au Canada por tout le service ou les pièces

For the repair or replacement parts you need:

Call 7 am - 7 pm, 7 days a week

1-800-366-PART (1-800-366-7278)

Para ordenar piezas con entrega a domicilio - 1-800-659-7084

For the location of a Sears Parts and Repair Center in your area:

Call 24 hours a day, 7 days a week

1-800-488-1222

**For information on purchasing a Sears maintenance Agreement
or to inquire about an existing Agreement:**

Call 9 am - 5 pm, Monday - Saturday

1-800-827-6655



The Service Side of SearsSM