

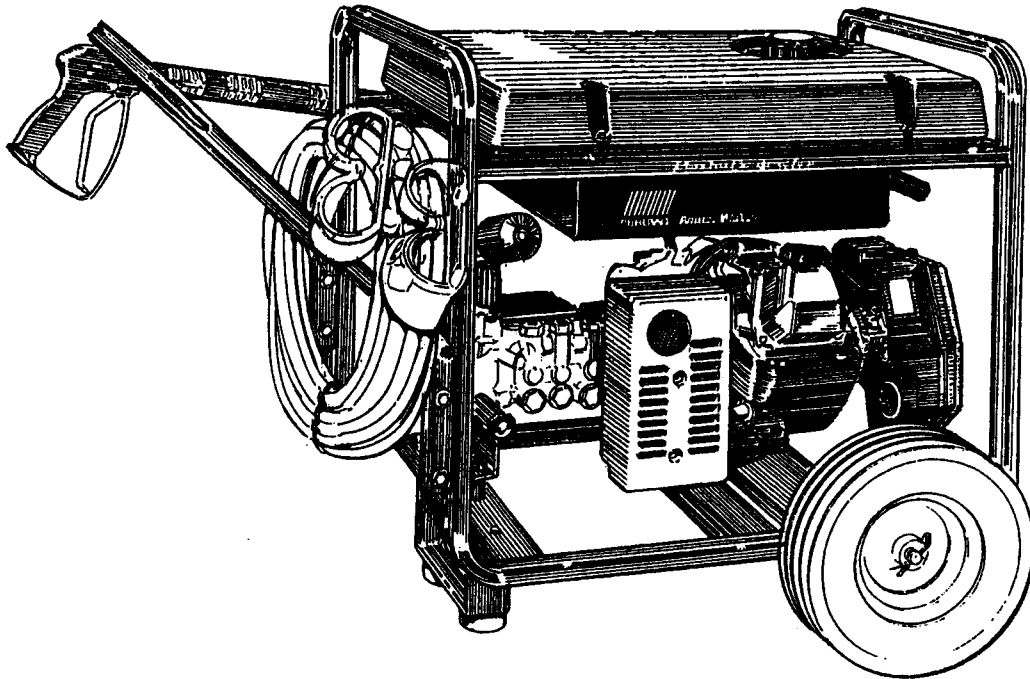
GENERAC INDUSTRIAL 12000 High Pressure Washer

Owner's Manual Operating Instructions and Maintenance

GENERAC
INDUSTRIAL 12000

GENERAC[®]
ENGINE POWERED TOOLS

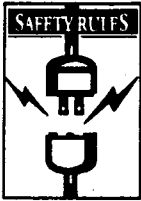
HIGH
PRESSURE WASHER
CUSTOMER HELPLINE
HOURS: M-F 8 a.m. to 5 p.m.



Model No. 0606-0 (4 gpm High Pressure Washer) Manual No. 99568 Revision 0 (3/5/96)



THIS SYMBOL POINTS OUT IMPORTANT SAFETY INSTRUCTIONS, WHICH, IF NOT FOLLOWED, COULD ENDANGER THE PERSONAL SAFETY AND/OR PROPERTY OF YOURSELF AND OTHERS. READ AND FOLLOW ALL INSTRUCTIONS IN THE MANUAL BEFORE ATTEMPTING TO OPERATE THIS UNIT.



CAUTION: ALWAYS DISCONNECT SPARK PLUG WIRE AND PLACE WIRE WHERE IT CANNOT CONTACT SPARK PLUG, TO PREVENT ACCIDENTAL STARTING WHEN SETTING UP, TRANSPORTING, ADJUSTING OR MAKING REPAIRS TO YOUR HIGH PRESSURE WASHER.

■ TRAINING

- Engine exhaust gases contain DEADLY carbon monoxide gas. This dangerous gas, if breathed in sufficient concentrations, can cause unconsciousness or even death. Operate this equipment only in the open air where adequate ventilation is available.



WARNING:



The engine exhaust from this product contains chemicals known to the State of California to cause cancer, birth defects, or other reproductive harm.

- Gasoline is highly FLAMMABLE and its vapors are EXPLOSIVE. Do not permit smoking, open flames, sparks or heat in the vicinity while handling gasoline. Avoid spilling gasoline on a hot engine. Allow unit to cool for 2 minutes before refueling. Comply with all laws regulating storage and handling of gasoline.
- Locate this pressure washer in areas away from combustible materials, combustible fumes or dust.
- The high pressure equipment is designed to be used with Sears authorized parts only. If you use this equipment with parts that do not comply with minimum specifications, the user assumes all risks and liabilities.
- Some chemicals or detergents may be harmful if inhaled or ingested, causing severe nausea, fainting or poisoning. The harmful elements may cause property damage or severe injury.
- Do not allow CHILDREN to operate the Pressure Washer at any time.

■ PREPARATION

- Operate engine only at governed speed. Running the engine at excessive speeds increases the hazard of personal injury. Do not tamper with parts which may increase or decrease the governed speed.
- Do not wear loose clothing, jewelry or anything that may be caught in the starter or other rotating parts.
- Before starting the Pressure Washer in cold weather, check all parts of the equipment and be sure ice has not formed there.
- Units with broken or missing parts, or without protective housing or covers should NEVER be operated.
- The muffler and air cleaner must be installed and in good condition before operating the Pressure Washer. These components act as spark arrestors if the engine backfires.
- Check the fuel system for leaks or signs of deterioration such as chafed or spongy hose, loose or missing clamps or damaged tank or cap. Correct all defects before operating the Pressure Washer.

■ OPERATION

- Do not spray flammable liquids.
- Never aim the gun at people, animals or plants.
- High pressure spray can cause paint chips or other particles to become airborne and fly at high speeds.

- Never allow any part of the body to come in contact with the fluid stream. DO NOT come in contact with a fluid stream created by a leak in the high pressure hose.
- High pressure stream of fluid that this equipment can produce can pierce skin and its underlying tissues, leading to serious injury and possible amputation.
- Always wear eye protection when you use this equipment or when you are in the vicinity where the equipment is in use.
- Operate the pressure at no more than the PSI fluid pressure rated for your pressure washer.
- Never move the machine by pulling on the high pressure hose. Use the handle provided on the top of the unit.
- Always be certain the spray gun, nozzles and accessories are correctly attached.
- Never use a spray gun which does not have a trigger lock or trigger guard in place and in working order.
- Use a respirator or mask whenever there is a chance that vapors may be inhaled. Read all instructions with mask so you are certain the mask will provide the necessary protection against inhaling harmful vapors.
- High pressure spray may damage fragile items including glass. Do not point spray gun at glass when in the jet spray mode.
- Keep the hose connected to machine or the spray gun while the system is pressurized. Disconnecting the hose while the unit is pressurized is dangerous.
- Hold the spray gun firmly in your hand before you start the unit. Failure to do so could result in an injury from a whipping spray gun. Do not leave the spray gun unattended while the machine is running.
- The cleaning area should have adequate slopes and drainage to reduce the possibility of a fall due to slippery surfaces.
- Keep water spray away from electric wiring or fatal electric shock may result.
- Do not adjust unloader valve to a pressure in excess of machine rating.
- Do not secure trigger gun in the pull-back (open) position.
- Do not by-pass any safety device on this machine.
- Do not leave trigger closed for more than 5 minutes with engine running. This could damage the pump.
- The muffler and engine heat up during operation and remain hot immediately after shutting it down. Avoid contact with a hot muffler or engine or you could be severely burned.

■ MAINTENANCE AND STORAGE

- Operate and store this unit on a stable surface.
- High pressure hose can develop leaks from wear, kinking, abuse, etc. Water spraying from a leak is capable of injecting material into skin. Inspect hose each time before using it. Check all hoses for cuts, leaks, abrasions or bulging of cover, or damage or movement of couplings. If any of these conditions exist, replace hose immediately. Never repair high pressure hose. Replace it with another hose that meets minimum pressure rating of your pressure washer.



Specifications

CONGRATULATIONS on your purchase of a GENERAC high pressure washer. It has been designed, engineered and manufactured to give you the best possible dependability and performance.

Should you experience any problem you cannot easily remedy, please contact your nearest GENERAC Authorized Service facility, or call the 1-800 number listed on the front of this manual. We have competent, well-trained technicians and the proper tools to service or repair this unit.

Please read and retain this manual. The instructions will enable you to assemble and maintain your high pressure washer properly. Always observe the "SAFETY RULES."

MODEL NUMBER	0606-0
SERIAL NUMBER	_____
DATE OF PURCHASE	_____

THE MODEL AND SERIAL NUMBERS WILL BE FOUND ON A DECAL ATTACHED TO THE PRESSURE WASHER. YOU SHOULD RECORD BOTH SERIAL NUMBER AND DATE OF PURCHASE AND KEEP IN A SAFE PLACE FOR FUTURE REFERENCE.

MAINTENANCE AGREEMENT

A Sears Maintenance Agreement is available on this product. Contact your nearest Sears store for details.

CUSTOMER RESPONSIBILITIES

- Read and observe the safety rules.
- Follow regular schedule in maintaining, caring for and using your high pressure washer.
- Follow the instructions under ©Customer Responsibilities[®] and "Storage" sections of this Owner's Manual.

PRODUCT SPECIFICATIONS

PRESSURE WASHER SPECIFICATIONS

OUTLET PRESSURE	Adjustable to 3000 psi
FLOW RATE	4 GPM
DETERGENT MIX	Use undiluted detergent
WATER SUPPLY TEMPERATURE	Not to exceed 140°F
SUCTION HEIGHT	3 FT. minimum

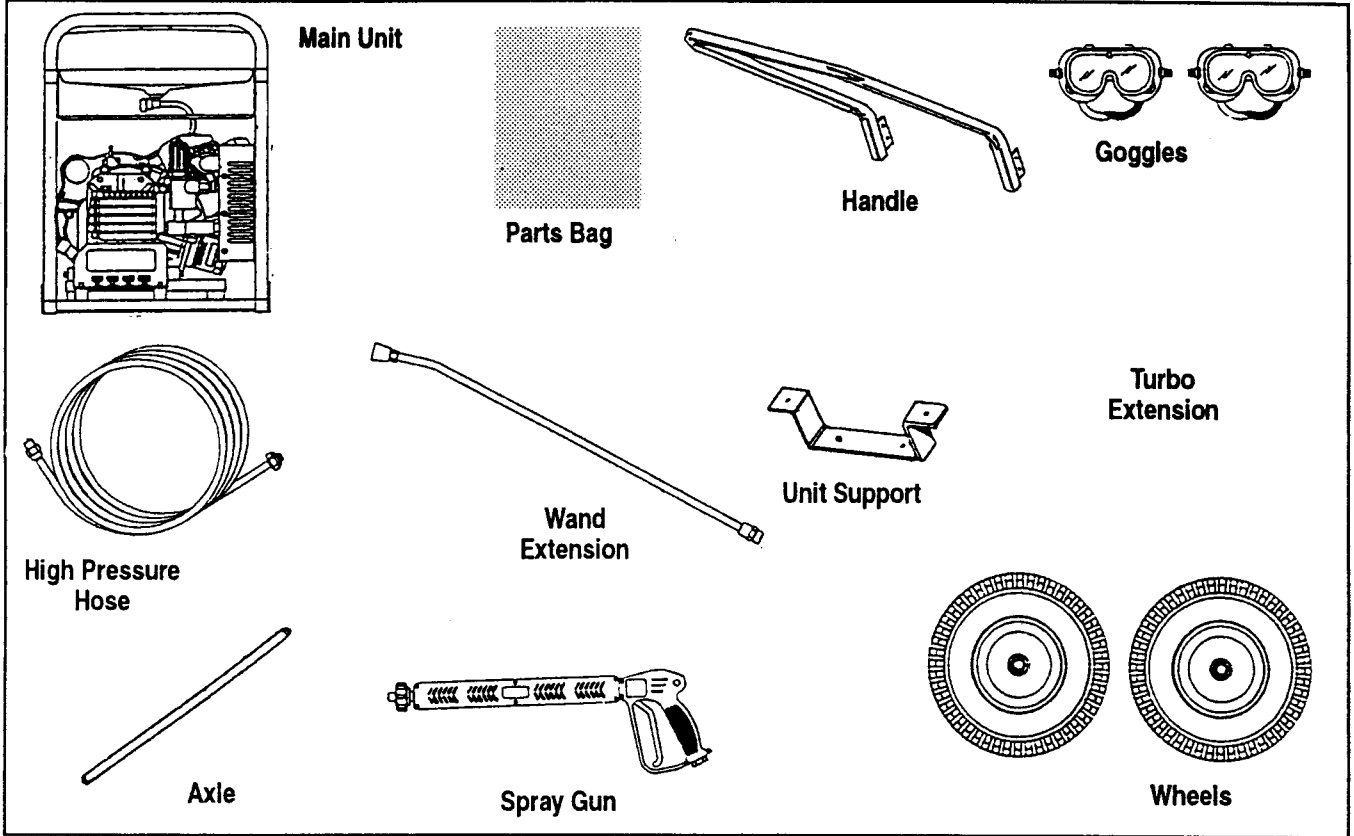
ENGINE SPECIFICATIONS

ENGINE MODEL	GN-Series
RATED HORSEPOWER	13
DISPLACEMENT	363cc
SPARK PLUG: Type:	Champion R12YC or equivalent
Set Gap To.	0.030 inch (0.76mm)
GASOLINE CAPACITY	4 U.S. gallons
OIL (46 oz. capacity)	SAE 30 weight
SOLID STATE IGNITION AIR GAP	0.0125 inch

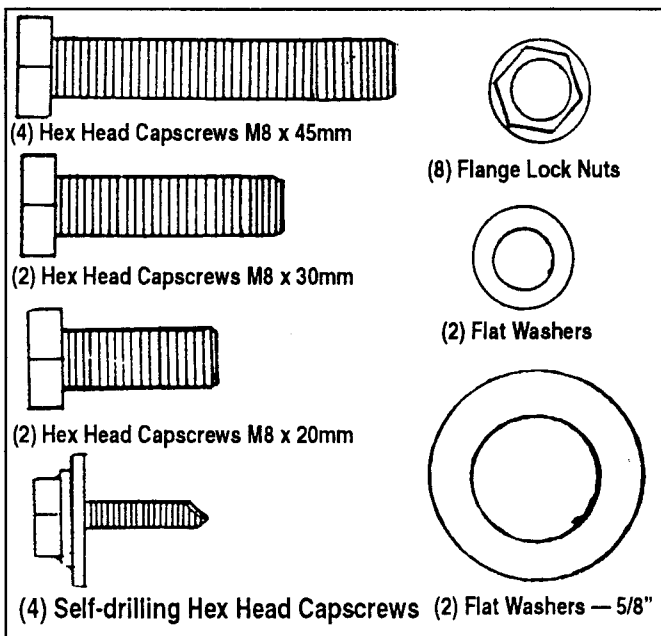
NOTE: The engine of your pressure washer is equipped with a spark arrestor muffle. The spark arrestor must be maintained in effective working order by the owner/operator.

In the State of California a spark arrestor is required by law (Section 4442 of the California Public Resources Code). Other states may have similar laws. Federal laws apply on federal lands.

PARTS PACKED SEPARATELY IN CARTON

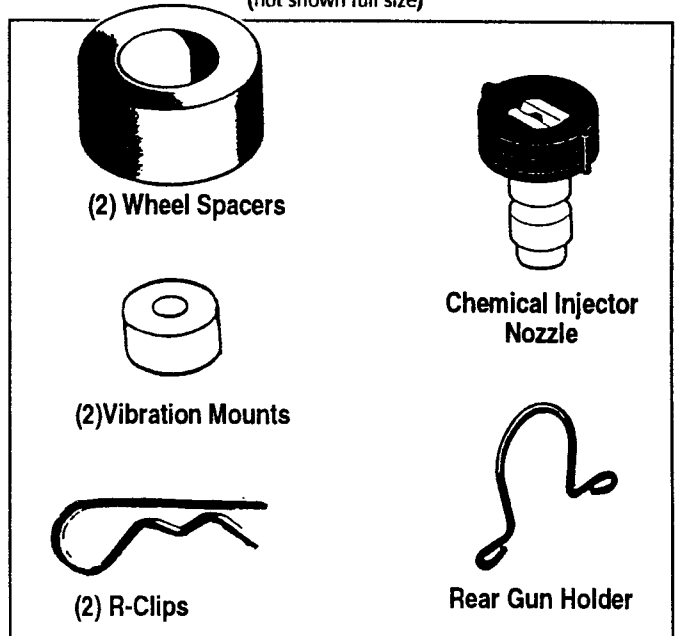


PARTS BAG CONTENTS SHOWN FULL SIZE

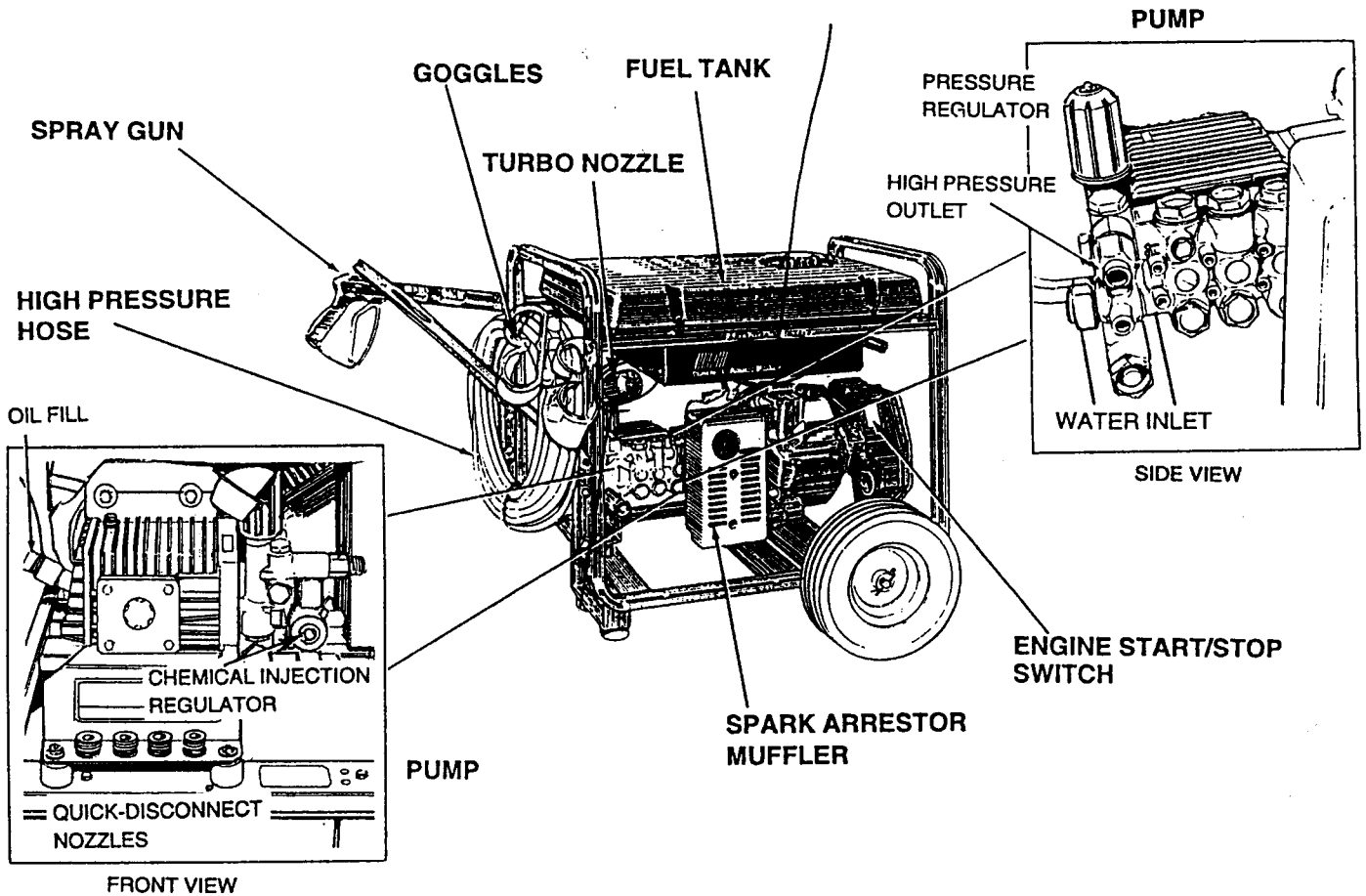


PARTS BAG CONTENTS

(not shown full size)



READ THIS OWNER'S MANUAL AND SAFETY RULES BEFORE OPERATING YOUR HIGH PRESSURE WASHER. Compare the illustrations with your high pressure washer to familiarize yourself with the locations of various controls and adjustments. Save this manual for future reference.



PRESSURE REGULATOR — Allows you to adjust the pressure of the outlet stream.

ENGINE ON-OFF CONTROL — Sets engine in starting mode for recoil starter; turns OFF running engine.

RECOIL STARTER — Used for starting the engine manually.

AIR CLEANER - Dry type filter element limits the amount of dirt and dust that gets in the engine.

GUN AND WAND ASSEMBLY— Controls the application of water onto cleaning surface with trigger device. Includes safety latch.

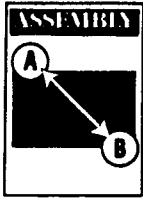
INTAKE SUPPLY FILTER — Filters inlet water supply.

DETERGENT PICKUP TUBE AND FILTER — Mixes water and detergent in outlet water flow.

HIGH PRESSURE OUTLET — Connection for high pressure hose.

QUICK-CONNECT NOZZLES— Easy connection for the type of spray mode your cleaning job requires. Each quick connect nozzle has its own function ranging from detergent application to differing angles of spray patterns.

TURBO NOZZLE — Enables you to expand the area of the high pressure mode.



Read these instructions and Operator's Manual in its entirety before you attempt to assemble or operate your new high pressure washer. Your high pressure washer has, for the most part, been assembled at the factory, except those parts left unassembled. Before you can operate your new high pressure washer, you must attach the guide handle and properly connect the high pressure hose and the water supply.

IF YOU HAVE ANY PROBLEMS WITH THE ASSEMBLY OF YOUR PRESSURE WASHER, PLEASE CALL THE PRESSURE WASHER HELPLINE AT 1-800-270-1408.

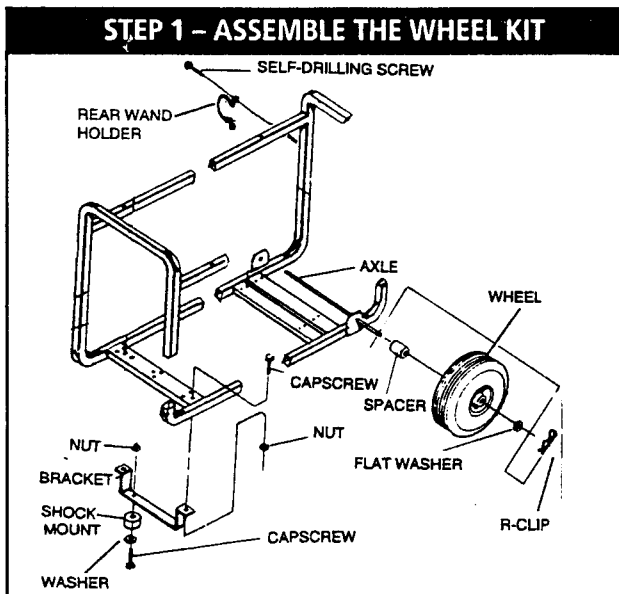
■ TOOLS NEEDED

You will need (2) large adjustable wrenches, a 10mm socket wrench and a 13mm socket wrench.

■ ASSEMBLE THE WHEEL KIT

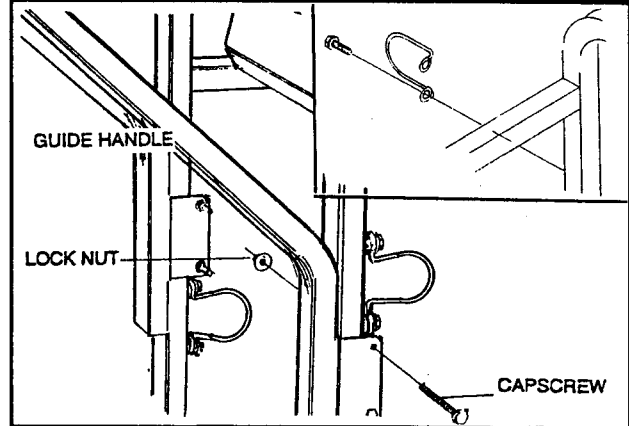
Refer to Page 5, "Contents of Hardware Pack" for an illustrated listing of all the items included with your pressure washer. Become familiar with each piece before assembling the pressure washer. Check all contents against the illustrations on Page 5. If any parts are missing or damaged, call the pressure washer helpline at 1-800-270-1408.

1. Insert one of the R-clips into hole on the end of the axle.
2. Place M12 flat washer and one wheel (valve faces outward) and spacer on one end of the axle and slide the spacer, wheel and washer against R-clip.



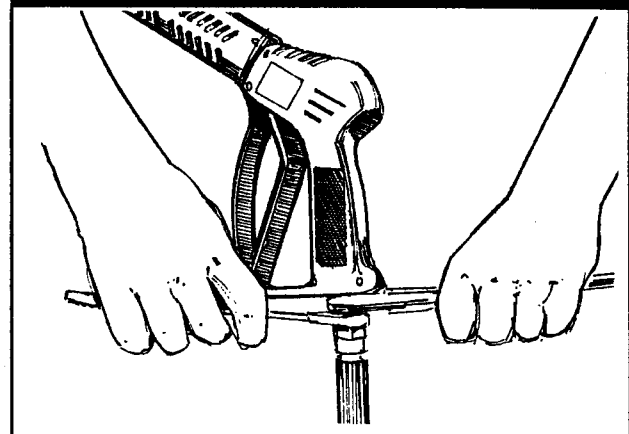
3. Slip opposite end of axle through holes at the base of the pressure washer and place the other spacer and wheel followed by 5/8" washer on the other end of the axle (valve faces outward).
4. Insert remaining -R-clip into hole at end of axle.
5. Attach 2 vibration mounts to support brace with remaining capscrews and lock nuts.
6. Attach the unit support to the cradle with two M8 x 20mm capscrews and two M8 lock nuts through holes provided on front pump cross support. Tighten securely with wrench.

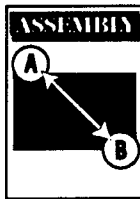
Step 2— ASSEMBLE GUIDE HANDLE AND GUN HOLDER



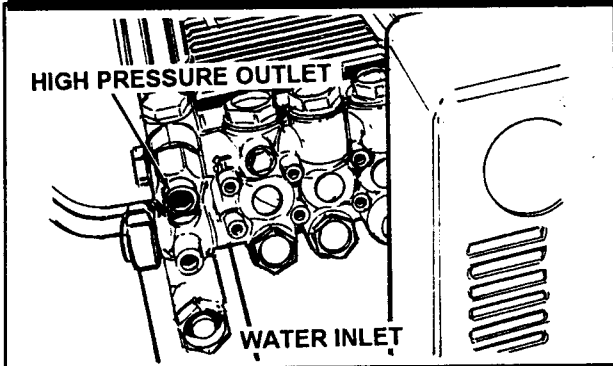
CAUTION: You must assemble the spray gun and attach all hoses before you start the engine. Starting the engine without all the hoses connected and no water supplied will damage the pump.

Step 3 — ATTACH HOSE TO GUN





Step 4 — CONNECT GARDEN HOSE TO WATER INLET AND HIGH PRESSURE HOSE TO HIGH PRESSURE OUTLET



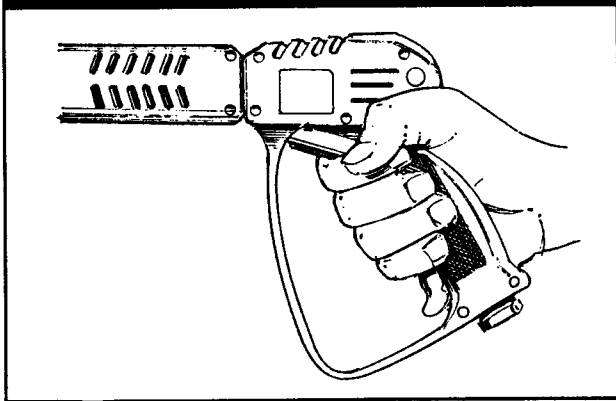
- Check inlet screen to be sure it is not damaged.
- Attach garden hose to the water inlet.
- Check that high pressure hose is attached to pump outlet and spray gun.



CAUTION: You must assemble the spray gun and attach all hoses before you start the engine. Starting the engine without all the hoses connected will damage the pump.

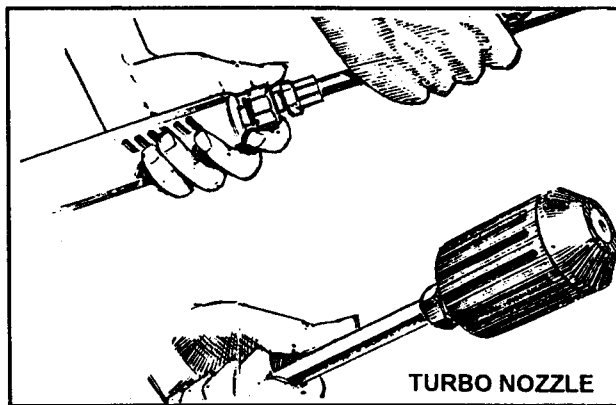
- Turn ON water.

Step 5 — SQUEEZE TRIGGER TO PURGE PUMP SYSTEM OF AIR AN IMPURITIES

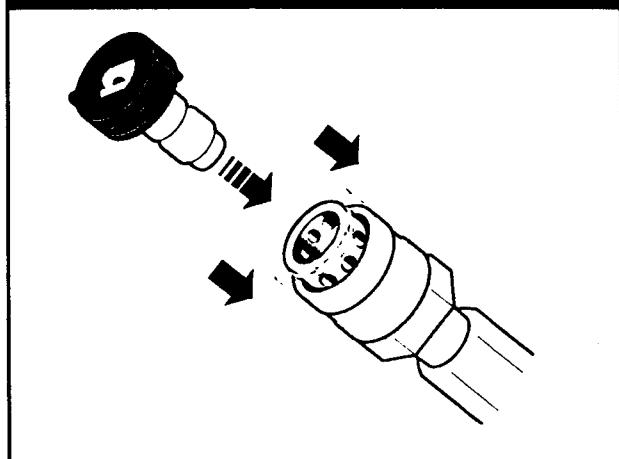


CAUTION: Before starting the pressure washer, be sure you are wearing adequate eye protection. Goggles are included with this unit.

Step 6 — CONNECT WAND EXTENSION TO SPRAY GUN



Step 7 — SELECT AND INSTALL NOZZLE TO END OF WAND EXTENSION

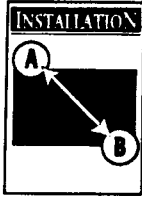


Quick disconnect nozzles are NOT installed in the wand extension. To install or change a quick disconnect nozzle, simply slide the collar of the adaptor backward and insert or pull out the nozzle.

Nozzles included are 0° (red); 15° (yellow); 25° (green); 40° (white) and 2540 (black, chemical injector nozzle).

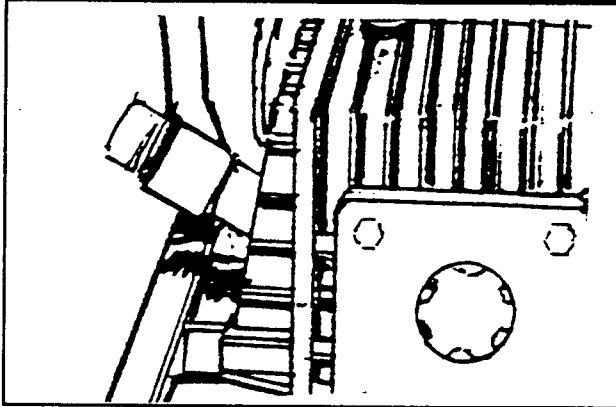
NOTE: To use the chemical injector, the black 2540 nozzle must be installed in the wand extension.

To further identify the nozzle you wish to use, look at numbers on nozzle head. With a number such as "15045", the spray angle (15 degrees) is indicated with the first two digits. The last three digits indicate the size of the nozzle.



BEFORE YOU CAN START USING YOUR NEW PRESSURE WASHER, YOU MUST PREPARE THE ENGINE.

Step 9 — ADD OIL TO ENGINE



■ ADD ENGINE OIL BEFORE INITIAL START

Remove one of the yellow Oil Fill Caps and add engine oil until oil level is at point of overflowing. Check engine oil level before starting each time thereafter. If oil level is below point of overflowing, fill to proper level.



CAUTION: Any attempt to crank or start the engine before it has been properly serviced with the recommended oil results in an engine failure.

The recommended oils include the following:

- During summer months: SAE 30. SAE 10W-30 is an acceptable substitute.
- During winter months: 5W-30. DO NOT USE 10W-40.

Crankcase oil capacity is about 620ml or about 21 fluid ounces. Use no special additives.

■ STEP 10 — ADD FUEL

Use regular UNLEADED gasoline, slowly, to fuel tank. You may also use regular leaded gasoline if UNLEADED is not available. Fuel capacity is one (1) U.S. gallon (4 liters).



CAUTION: Do not overfill the fuel tank. Always allow room in the fuel tank for expansion.

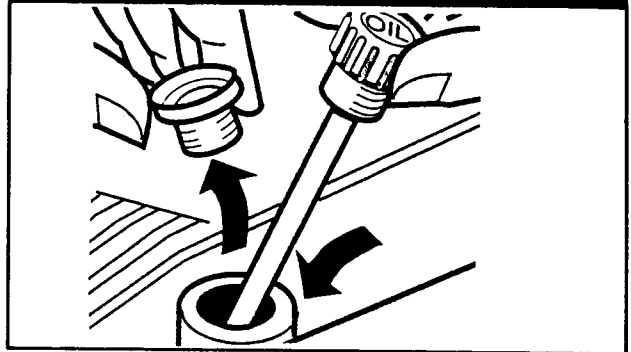


WARNING: NEVER FILL FUEL TANK INDOORS. NEVER FILL FUEL TANK WHEN ENGINE IS RUNNING OR HOT. DO NOT SMOKE WHEN FILLING FUEL TANK.

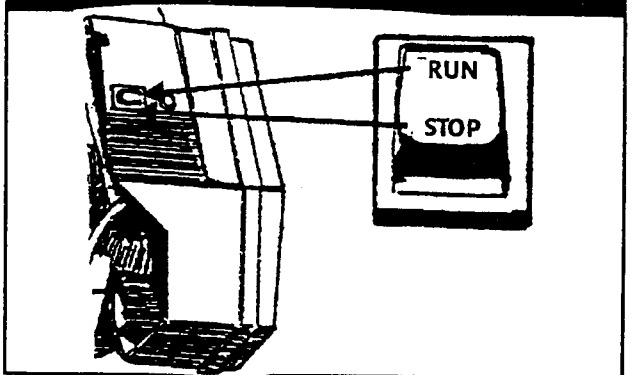
The pump is supplied complete with oil, but before you use the pressure washer, you must remove the red cap from the oil fill hole on the pump and insert the Oil Dipstick into the pump.

Check that the oil level is correct at the oil lever window. If you need to add oil, use SAE 30 weight non-detergent oil.

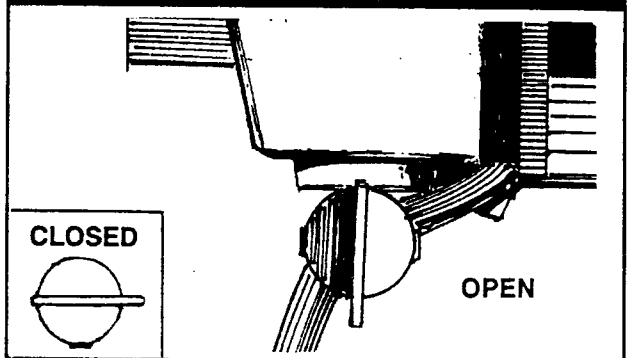
Step 11 — INSTALL PUMP DIPSTICK



Step 12 — PLACE ENGINE RUN-STOP SWITCH TO "RUN" POSITION.

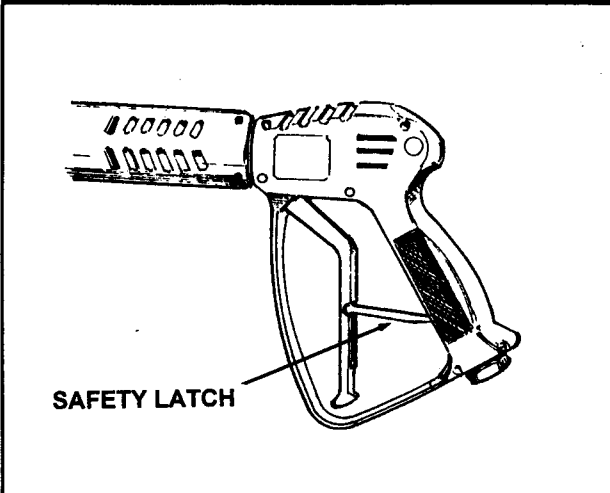


Step 13 — OPEN FUEL SHUT-OFF VALVE

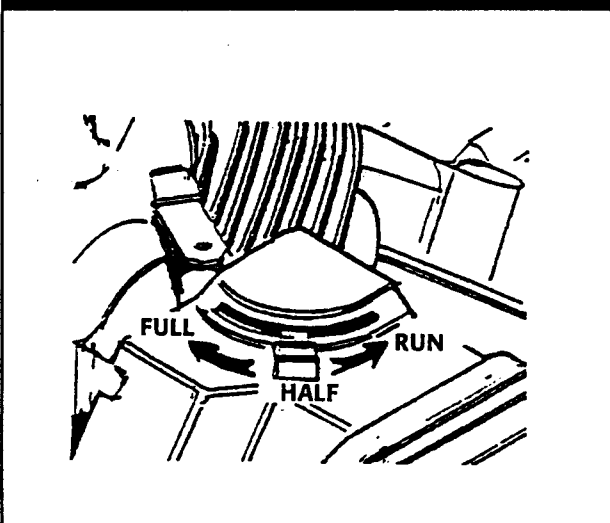


NOTE: The spray gun includes a SAFETY LATCH that allows you to prevent trigger acutation. Use it after the engine is started to prevent the washer from inadvertently spraying while you prepare chemical application or perform other tasks.

Step 14 — SET SAFETY LATCH ON GUN HANDLE



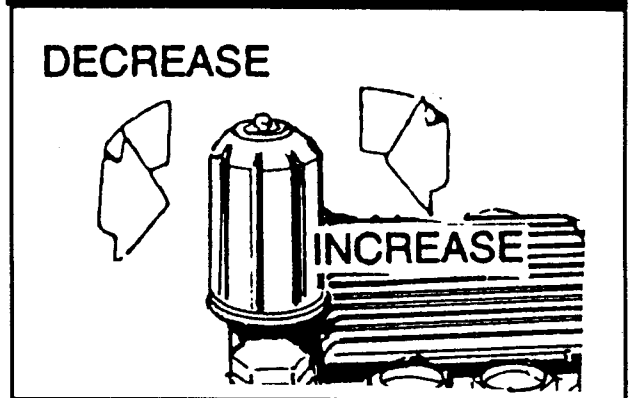
Step 15 — FOR COLD ENGINE, MOVE LEVER TO FULL CHOKE POSITION



- For warm engine, move choke lever to half choke or "RUN" position.
- Disengage Safety Latch and press trigger on pressure washer gun.
- Grasp engine starter recoil handle and pull once.

- When engine starts, move choke lever to RUN position. If engine fails to start, move choke lever to RUN position and pull starter rope (2 pulls max.)
- If engine still fails to start, move choke lever to FULL position, press trigger on pressure washer gun and pull starter recoil handle once.

Step 16 — ADJUST PRESSURE REGULAOR



CAUTION: Do not run pump without water supply connected. Do not allow pump to run for more than 5 minutes without pulling the trigger on spray gun. If not in use for more than 5 minutes without pulling trigger, relieve pressure and shut off unit. You must follow this caution or the pump will be damaged.

STOPPING YOUR PRESSURE WASHER

- First move engine RUN-STOP switch to STOP position.
- Simply shutting OFF engine will not release pressure in the system. When engine has shut down, pull the trigger on the gun to relieve the pressure in the hose.

HOW TO USE YOUR WASHER

You now should know how to START your pressure washer and how to STOP it. The information in this section will tell you how to apply detergent or any other cleaning chemicals.

- Point the nozzle toward the ground and press the trigger to test the pattern (Fig. 17 on Page 10).

Figure 17 — Testing the Spray Pattern

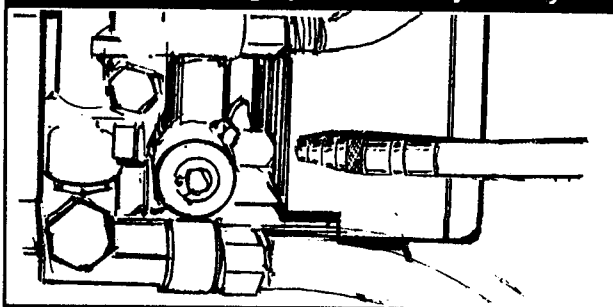


- For most effective cleaning, keep spray nozzle between 8 to 24 inches of cleaning surface.
- If you get the spray nozzle too close, especially using high pressure mode, you may damage the cleaning surface.
- Do not get closer than 6 inches when cleaning automobile tires.

INJECTING CLEANING AGENTS

1. If you use a detergent or wax, connect the metal fitting of the clear plastic tube into the injector fitting on the pump (Fig. 19). Then place the small filter in the detergent container.

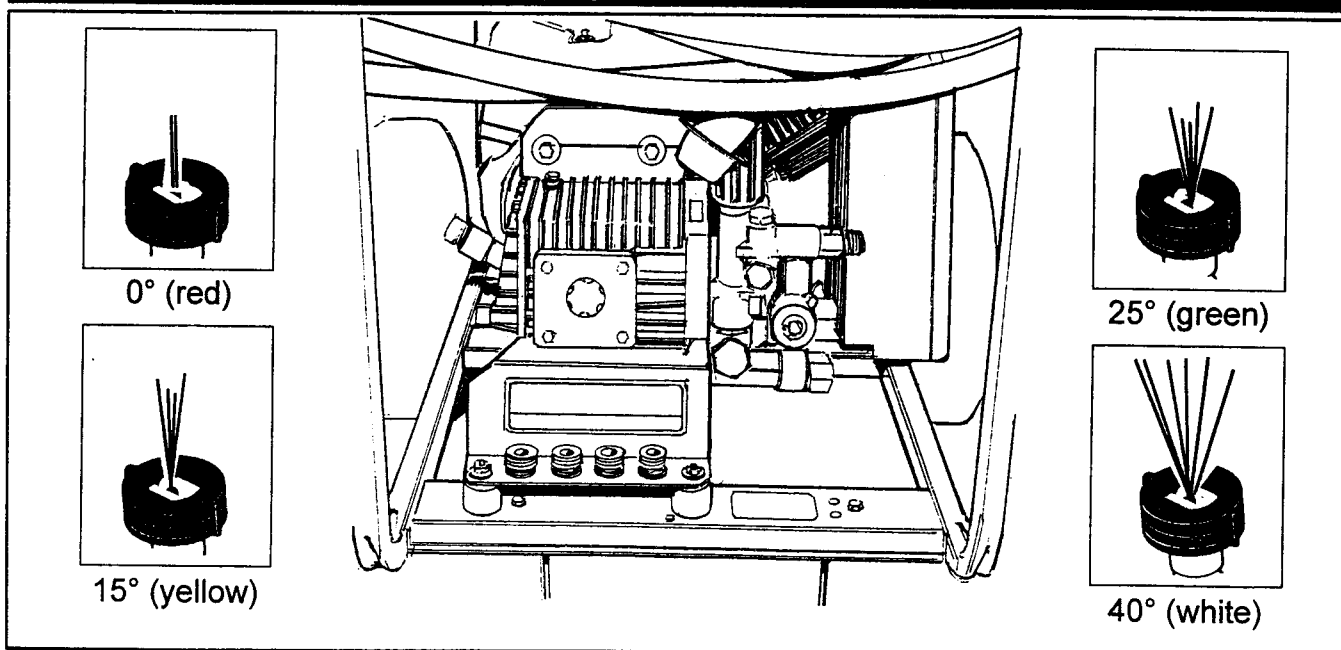
Figure 19 — Setting up Chemical Injector System



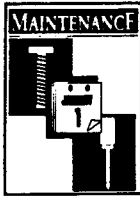
CAUTION: Keep plastic injector tube from coming in contact with the hot muffler. This will damage the plastic tube. When inserting the filter into a cleaning agent bottle, route the tube so as to keep it from inadvertently contacting the hot muffler.

NOTE: You can order multi-purpose cleaner/degreaser (Part #88181); car wash detergent (Part #88182); and car wax (Part #88183) from Generac. See your Dealer/Distributor.

Figure 18 — Spray Patterns of Various Nozzles

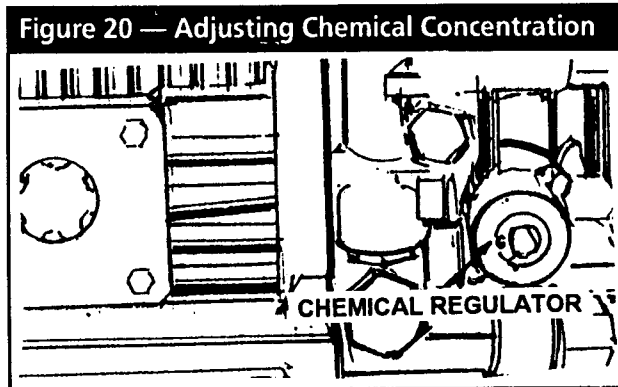


High Pressure Washer



CAUTION: Use soaps designed specifically for pressure washers. Household detergents could damage the pump.

2. Install 2540 nozzle into wand extension. Be sure nozzle is installed before applying detergent or wax.
3. Press trigger.
4. Adjust knob on injector (Fig. 20) for concentration of detergent-to-water that you want for your cleaning job.



NOTE: Wash your hands after they come in contact with the Generac detergents and cleaning agents.



CAUTION: Never use garden hose inlet to siphon detergent or wax.

■ TO CLEAN

Start at lower portion of area to be washed and work upward, using long, even overlapping strokes. Detergent or degreaser works best when you apply it to a dry surface first. Let it set for 3-5 minutes before washing and rinsing.

■ RINSE

Push the nozzle sleeve to high pressure and wait for detergent to clear. Start at the top of area to be rinsed, working down with the same action as for cleaning.

■ TO STOP

If you have used chemical injector hose you must flush it with clean water before stopping the engine. Place the injector filter into a pail of clear water while running Pressure Washer with nozzle in low pressure mode. Flush for five minutes.

1. To shut off the pump, move Engine RUN-STOP Switch to STOP position.

2. Simply shutting OFF engine will not release pressure in the system. When engine has shut down, pull the trigger on the gun to relieve the pressure in the hose.

PREPARING THE UNIT FOR STORAGE

Water should not remain in the unit for long periods of time. Sediments of minerals can deposit on pump parts and "freeze" pump action. If you do not plan to use the Pressure Washer for more than 30 days, follow this procedure:

1. Flush detergent hose by placing the injector filter into a pail of clear water while running Pressure Washer with nozzle in low pressure mode. Flush for five minutes.
2. Shut off the engine and let it cool, then remove all hoses.
3. Place engine RUN-STOP Switch in STOP position.



CAUTION: Be sure switch is in "STOP" position before you continue. If you start engine without proper water supply connected, you can damage pump.

4. Empty the pump of all pumped liquids by pulling recoil handle about 6 times. This should remove most of the liquid in the pump.

NOTE: To protect unit from freezing temperatures, draw windshield washer fluid into pump by pouring windshield washer fluid into a 3-foot section of garden hose connected to inlet adaptor and pulling recoil handle twice.

5. Store in a clean, dry area.

■ ENGINE PREPARATION



WARNING: NEVER STORE ENGINE WITH FUEL IN TANK INDOORS OR IN ENCLOSED, POORLY VENTILATED AREAS WHERE FUMES MAY REACH AN OPEN FLAME, SPARK OR PILOT LIGHT AS ON A FURNACE, WATER HEATER, CLOTHES DRYER OR OTHER GAS APPLIANCE.

Use a fuel additive such as STA-BIL, or an equivalent, to prevent gum deposits from forming in the engine's fuel system.

NOTE: If you did use "gasohol", run engine until engine stops from lack of fuel.

- While engine is still warm, drain oil from crankcase. Refill with fresh oil. See "PREPARING WASHER FOR FIRST USE" for oil recommendations.

- Remove spark plug and pour about 1/2 ounce (15ml) of engine oil into the cylinder. Cover spark plug hole with rag. Crank slowly to distribute oil.



CAUTION! Avoid spray from spark plug hole when cranking engine slowly.

- Install spark plug. Do not connect spark plug wire.

ENGINE MAINTENANCE

■ CHECKING OIL LEVEL

See "PREPARING WASHER FOR FIRST USE" for information on checking oil level. Oil level should be checked prior to each use or at least every eight hours of operation. Keep oil level maintained.

■ CHANGING OIL

Change oil after first 8 hours of operation. Change oil every 50 hours thereafter. If you are using your pressure washer under extremely dirty or dusty conditions, or in extremely hot weather, change oil more often.

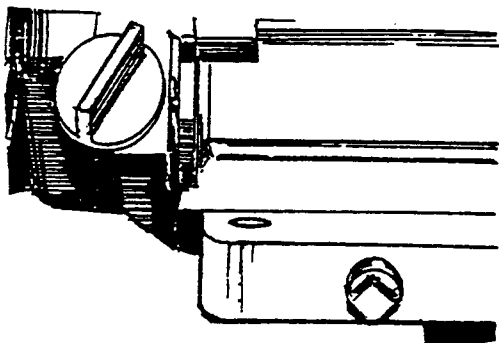
Change oil while engine is still warm, as follows:



CAUTION: Disconnect spark plug wire from spark plug and keep it away from spark plug.

1. Clean area around oil drain plug, remove plug and drain oil completely into a suitable container (Figure 21).

Figure 21 — Draining Oil from Engine

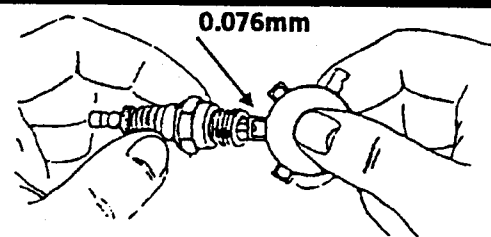


2. When all oil has drained, install and tighten oil drain plug.
3. Remove oil fill plug and insert a clean fill funnel into plug opening. Fill engine crankcase with recommended oil until oil level is at point of overflowing. Do not overfill above that mark. About 21 ounces is required. **POUR SLOWLY.**
4. When engine crankcase is filled to proper level, install and tighten oil fill plug.

■ REPLACE SPARK PLUG

Change the spark plug every 100 hours of operation or once each year, whichever comes first. This will help your engine to start easier and run better. Replace with Champion RC12YC or equivalent type spark plug. Set spark plug gap (Figure 22) to 0.030 inch (0.76mm).

Figure 22 — Setting Spark Plug Gap



■ SERVICE AIR CLEANER

Your engine will not run properly and may be damaged if you run it using a dirty air cleaner.

Clean or replace the air cleaner paper filter once every 25 hours of operation or once a year, whichever comes first. Clean or replace more often if operating under dusty or dirty conditions. Clean foam pre-filter every 25 hours of operation or sooner under dusty conditions.



CAUTION: Never run this unit without the complete air cleaner system installed on the engine. This could result in premature wear to the engine.

To clean or replace foam prefilter:

1. Remove air cleaner cover, then foam prefilter (Figure 23 on Page 13).

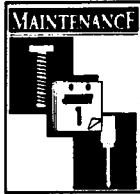
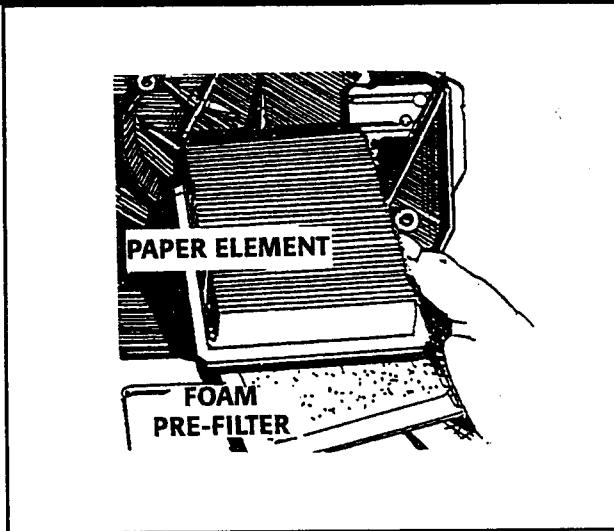


Figure 23 — Removing Prefilter and Air Filter



2. Wash prefilter in soap water. Squeeze pre-cleaner dry in clean cloth (DO NOT TWIST). Saturate pre-cleaner in clean engine oil and then wrap pre-cleaner in clean dry cloth to squeeze out excess oil (DO NOT TWIST).
3. Clean air cleaner cover before installing it.

TO CLEAN OR REPLACE PAPER AIR FILTER:

1. Remove air cleaner cover; then remove foam prefilter (service if necessary) and remove paper filter.
2. Clean air filter by tapping it gently on a solid surface. If the filter is too dirty, replace it with a new one. Dispose of the old filter properly.
3. Clean air cleaner cover then insert pre-filter into cover. Next insert new paper filter into cover to hold pre-filter in place and assemble all of them to base of air cleaner.

■ CLEAN SPARK ARRESTOR SCREEN

The engine exhaust muffler has a spark arrestor screen. Inspect and clean the screen every 100 hours of operation or once each year, whichever comes first.

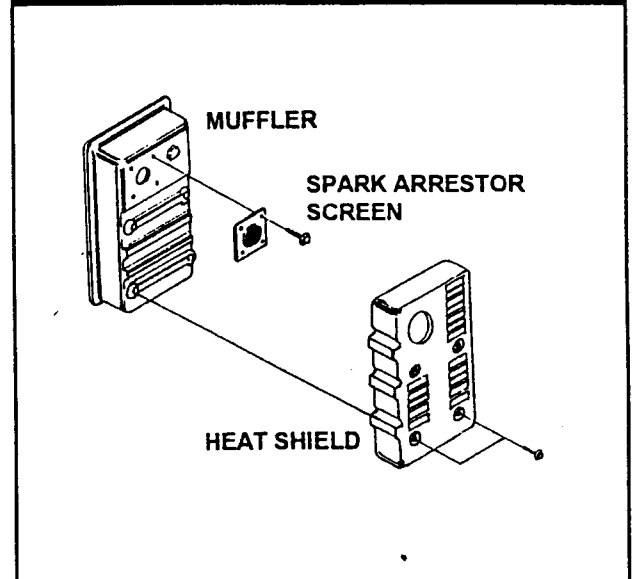


WARNING: LET THE MUFFLER COOL BEFORE WORKING ON IT. CONTACT WITH A HOT MUFFLER OR ENGINE CAN CAUSE SEVERE BURNS.

Clean and inspect the spark arrestor as follows:

1. To remove the muffler guard from the muffler, remove the four screws that connect the guard to the muffler bracket (Figure 24).

Figure 24 — Removing Muffler Guard and Spark Arrestor



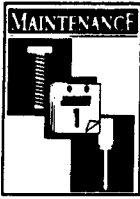
2. Remove four screws that attach the spark arrestor screen.
3. Inspect screen and replace if torn, perforated or otherwise damaged. DO NOT USE a defective screen. If screen is not damaged, clean it with commercial solvent.
4. Reattach the screen and the muffler guard.

PUMP MAINTENANCE

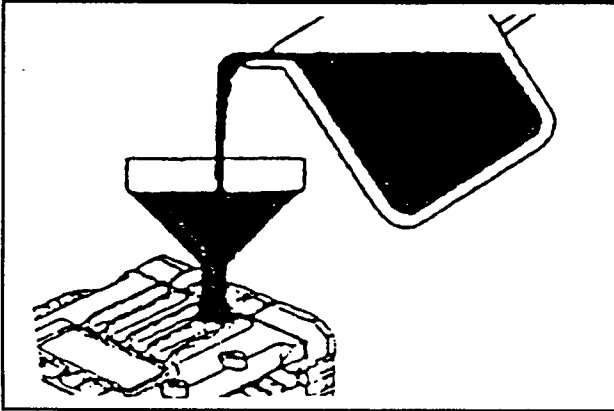
■ PUMP OIL

Change pump oil after first 50 hours of operation. Change every 500 hours thereafter. To change pump oil, follows these steps:

1. Place the pressure washer in a position so you can drain the oil from the washer's oil drain plug into a suitable container.
2. Open the Oil Drain Plug (brass bolt on under side of pump).
3. When oil has drained completely, install and tighten oil drain plug.



4. Remove oil dipstick, insert funnel and add recommended SAE 30 weight non-detergent oil (Figure 25).
5. Install Oil Dipstick back into pump.

Figure 25 — Adding Oil to Pressure Washer Pump

LOW OIL PRESSURE SHUTDOWN SYSTEM

The engine is equipped with a low oil pressure sensor that shuts down the engine automatically when the oil pressure drops below 6 psi. If the engine shuts down by itself and the fuel tank has enough gasoline, check engine oil level.

■ INITIAL STARTUP

A delay built in the shutdown system allows oil pressure to build during starting. The delay allows the engine to run for about 10 seconds before sensing oil pressure.

■ SENSING LOW PRESSURE

If the system senses low oil pressure during operation, the engine shuts down. As the system shuts down, the low oil light comes ON. However, once the engine has stopped rotating, this light will go OFF.

■ RESTARTING

If you try to restart the engine within 5 seconds after it shuts down, the engine may NOT start. The system needs 5 to 10 seconds to reset.

If you do restart the engine after such a shutdown and have not corrected the low oil pressure, the engine runs for about 10 seconds as described above and then stops.

SERVICE AND ADJUSTMENTS

■ ENGINE SPEED



CAUTION: Engine speed was properly adjusted at the factory and should require no additional adjustment. Do not attempt to change engine speed. If you believe the engine is running too fast or too slow, take your pressure washer to authorized service center for repair and adjustment. **CHANGING ENGINE GOVERNED SPEED WILL VOID ENGINE WARRANTY.**

Your pressure washer runs at a constant speed. This constant operating speed is maintained by a mechanical, flyweight type, fixed speed governor. DO NOT try to adjust the governed speed setting for the following reasons:

- High engine speeds are dangerous and increase the risk of personal injury or damage to equipment.
- Low engine speeds impose a heavy load on the engine when sufficient engine power is not available and may shorten engine life.

■ ADJUSTING THE CARBURETOR

The carburetor of your pressure washer is pre-set at the factory. The carburetor should not be tampered with. If your pressure washer is used at an altitude above 5,000 feet, consult your Generac service facility regarding high altitude jetting changes.



TROUBLESHOOTING POINTS

PROBLEM

Pump has following problems:
failure to produce pressure, erratic pressure, chattering, loss of pressure, low water volume.

CAUSE

1. Nozzle in low pressure mode.
2. Low regulator pressure
3. Water inlet is blocked.
4. Inadequate water supply
5. Inlet hose is kinked or leaking
6. Clogged inlet hose strainer.
7. Detergent line is not submerged.
8. Water supply is over 140°F.
9. Outlet hose is blocked or leaks.
10. Gun leaks.
11. Nozzle is obstructed.
12. Pump is faulty.

CORRECTION

1. Pull nozzle backward for high pressure mode.
2. Adjust regulator to desired setting.
3. Clear inlet
4. Provide adequate water flow.
5. Straighten inlet hose, patch leak.
6. Check and clean inlet hose strainer.
7. Submerge detergent line.
8. Provide cooler water supply.
9. Clear blocks in outlet hose.
10. Replace gun.
11. Clear nozzle.
12. Contact Generac service facility.

Detergent fails to mix with spray.

1. Detergent line is not submerged.
2. Chemical filter is clogged.
3. Nozzle is in high pressure mode. low pressure mode.
4. Chemical adjuster is closed.

1. Insert chemical line into detergent.
2. Clean or replace filter/detergent line.
3. Push nozzle forward for
4. Open chemical adjuster.

Engine runs good at no-load but bogs when load is added.

Engine speed is too slow.

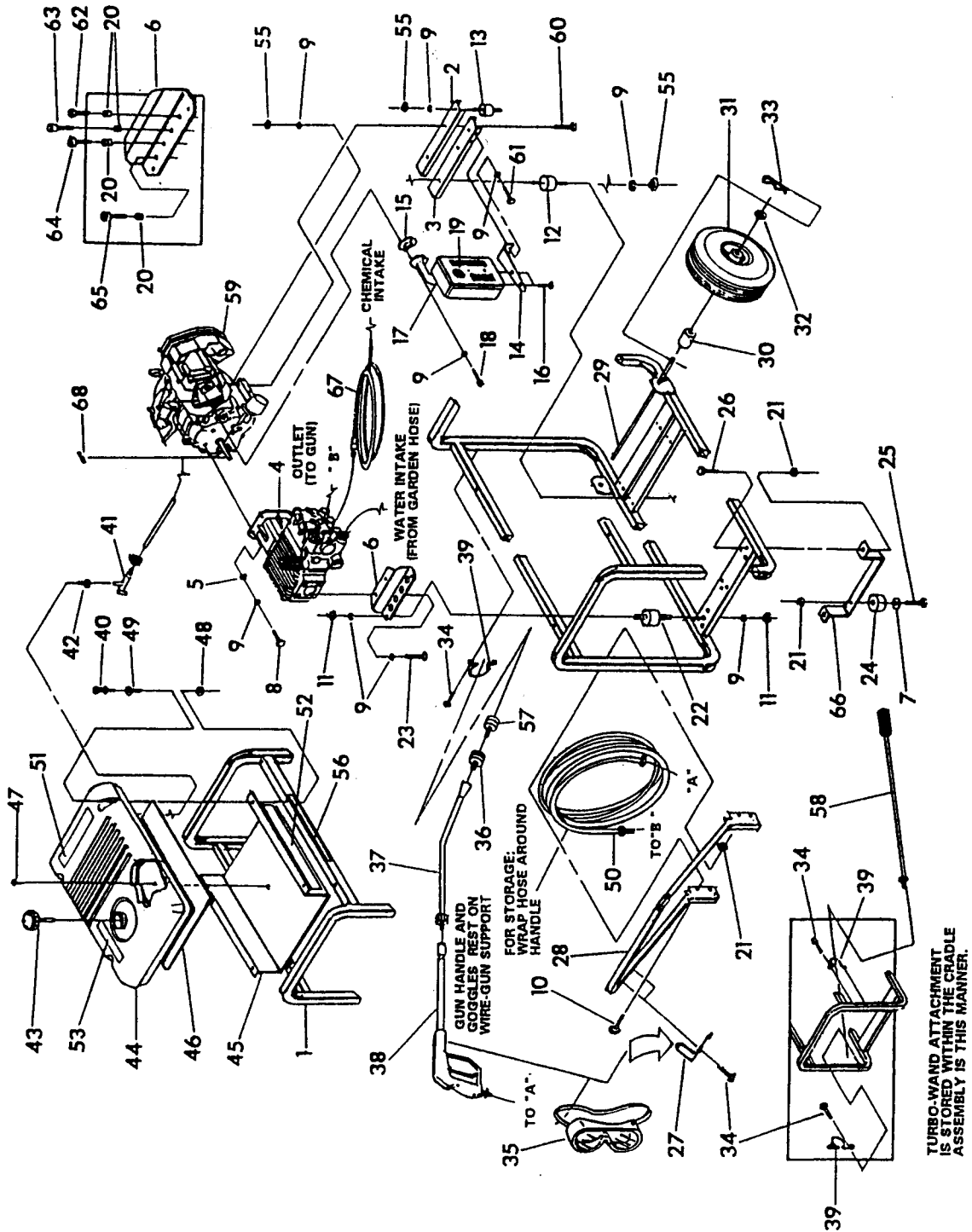
Contact Generac service facility.

Engine will not start; or starts and runs rough

1. Low oil level
2. Dirty air cleaner
3. Out of gasoline.
4. Stale gasoline.

1. Fill crankcase to proper level.
2. Clean or replace air cleaner.
3. Fill fuel tank.
4. Drain gas tank; fill with fresh fuel.

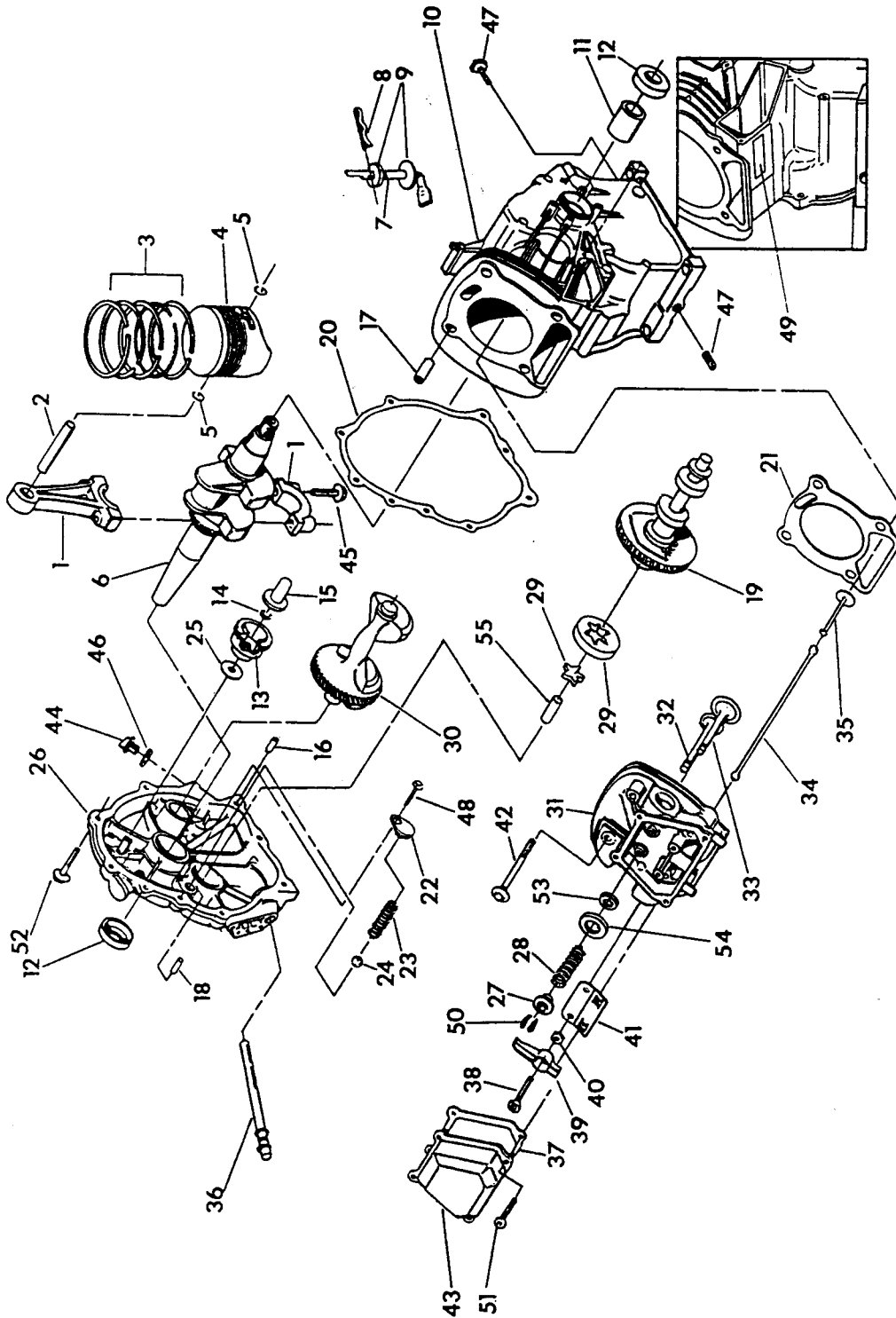
EXPLODED VIEW — PRESSURE WASHER



REPAIR PARTS — PRESSURE WASHER

ITEM	PART NO.	QTY.	DESCRIPTION	ITEM	PART NO.	QTY.	DESCRIPTION
1	92412	1	Cradle – MC-12000	37	89641	1	Wand
2	92531	1	Engine Support	38	89633	1	Spray Gun
3	92731	1	Engine & Muffler Support	39	87985	1	Rear Wand Holder
4	92294	1	Pump — General 4 GPM at 3000 PSI	40	78831-B	4	M6-1.0 x 60mm Capscrew (black)
5	50190	4	M8 Flat Washer	41	80270	1	Tank Valve
6	92485	1	Pump Support Bracket	42	78299	1	Plastic Tank Bushing
7	22145	2	M8 Flat Washer	43	94834	1	Fuel Cap
8	22288	4	5/16"-24 x 1-1/4" Capscrew	44	92035	1	Fuel Tank
9	22129	24	M8 Lock Washer	45	92039	1	Heat Shield
10	39287	4	M8-1.25 x 45mm Capscrew	46	92665	1	#2-1/4" thick Insulation
11	45771	4	M8-1.25 Hex Nut	47	85000	1	Insulation Clip
12	92609	2	Vibration Mount	48	77395	4	M6 Flange Lock Nut
13	82857	2	Vibration Mount	49	83465	4	Tank Grommet
14	92532	1	Muffler Bracket	50	89634	1	3/8" I.D. Hose (50 ft. long)
15	90239	1	Exhaust Gasket	51	92629	1	Decal — Danger
16	66476	2	M6-1.0 x 12mm Capscrew	52	99139	2	Decal — Industrial 12000
17	91153	1	Muffler	53	94077	1	Decal — Start Instructions
18	40976	2	M8-1.25 x 20mm Capscrew	55	25244	10	5/16"-18 Hex Nut
19	83083	1	Spark Arrestor Screen	56	93221	2	Decal — Constr. Contractor
20	30809	4	Nozzle Grommet	57	90200	1	Nozzle — Chemical Injection 2540 (black)
21	52858	8	M8-1.25 Flange Lock Nut				
22	85652	2	Shock Mount	58	89493	1	Turbo Wand
23	42907	2	M8-1.25 x 16mm Capscrew	59	ENG94415	1	13 HP Engine
24	27007	2	Shock Mount	60	22531	2	5/16"-18 x 1-3/4" Capscrew
25	42909	2	M8-1.25 x 30mm Capscrew	61	22142	2	5/16"-18 x 3/4" Capscrew
26	39253	2	M8-1.25 x 20mm Capscrew	62	90200A	1	Quick Connect Nozzle 00045 (red)
27	89636	1	Gun Support Wire				
28	93393C	1	Guide Handle	63	90200B	1	Quick Connect Nozzle 15045 (yellow)
29	93693A	1	Zinc Axle				
30	89635	2	Wheel Spacer	64	90200C	1	Quick Connect Nozzle 25045 (green)
31	89742	2	Wheel				
32	22247	2	5/8" Flat Washer	65	90200D	1	Quick Connect Nozzle 40045 (white)
33	87005	2	Quick Release Pin				
34	86292	8	#10-16 Self-drilling Screw	66	92483	1	Unit Support Bracket
35	87815	2	Safety Goggles	67	92550	1	Injection Tube (replacement)
36	90199	1	Quick Disconnect Adaptor	68	63281	1	Key — 1/4" sq. x 2" long

EXPLODED VIEW — LONG BLOCK



High Pressure Washer

REPAIR PARTS — LONG BLOCK

ITEM	PART NO.	QTY.	DESCRIPTION	ITEM	PART NO.	QTY.	DESCRIPTION
1	71978	1	Connecting Rod with cap and bolt	30	84430	1	Balancer
2	71980	1	Piston Pin	31	83923	1	Cylinder Head with valve seats and guides
3	71977	1	Piston Ring Set	32	86516	1	Exhaust Valve
4	76339	1	Piston	33	86517	2	Intake Valve
5	71983	2	Piston Pin Retainer	34	88396B	2	Push Rod
6	76378	1	Crankshaft Assm. with gears	35	83897	2	Tappet
7	83948	1	Governor Arm	36	77158	1	Oil Pick-up Assembly
8	78658	1	Governor Arm "R" Pin	37	71987	1	Rocker Cover Gasket
9	78659	2	Governor Arm Washer	38	72694	2	Pivot Ball Stud
10	88261	1	Crankcase H.S. w/plugs	39	83907	2	Rocker Arm
11	72654	1	Sleeve Bearing	40	72696	2	Jam Nut, Rocker Arm
12	72655	2	Crankshaft Seal	41	78694	1	Push Rod Guide Plate
13	83912	1	Governor Gear Assembly	42	73149	4	Head Bolt - M10 x 100mm
14	78645	1	Governor Retainer ["C" Ring]	43	83938	1	Rocker Cover Breather Asm.
15	76365	1	Governor Spool	44	76329	1	Oil Fill Plug
16	78699B	1	Sleeve Dowel	45	71979	2	Connecting Rod Bolt
17	78699C	2	Sleeve Dowel	46	86254	1	O-ring
18	88590	1	Solid Dowel	47	26925	2	Pipe Plug, 3/8" NPT
19	83932	1	Camshaft Assembly	48	78692	1	Screw - M5-0.8 x 8mm
20	76701	1	Crankcase Gasket	49	82773B	1	Decal
21	73142	1	Cylinder Head Gasket	50	86515	4	Valve Spring Keeper
22	78691	1	Oil Pressure Relief Cover	51	78606	4	M6-1.0 x 12mm Screw with Washer
23	83918	1	Pressure Relief Spring				
24	76362	1	Pressure Relief Ball	52	73144	8	Flange Bolt M8-1.25 x 45mm
25	76361	1	Thrust Washer	53	78672	1	Valve Stem Seal
26	88260B	1	Gear Cover	54	89673	2	Valve Spring Washer
27	86514	2	Valve Spring Retainer	55	83921	1	Gen. Bearing Tube Shaft
28	91308	2	Valve Spring				
29	86025	1	Geroter Set				

REPAIR PARTS — ENGINE TRIM SPECIFICATIONS

ITEM	PART NO.	QTY.	DESCRIPTION	ITEM	PART NO.	QTY.	DESCRIPTION
1	73100	1	Governor Spring	35	73101	1	Bracket, Governor Adjust with Idle Control
2	83502	1	Governor Adjust Bolt Å M5	36	72734	1	Governor Lever Assembly
3	83503	1	Metal Lock Nut Å M5-0.8	37	94683	1	Oil Filter Adaptor
4	92437	1	Blower Housing Assembly	38	81642	1	Low Oil Indicator Lamp
5	95092	1	Recoil Assembly	39	77667	1	Low Oil Pressure Switch
6	81641	1	Recoil Cup	40	40945	2	M6-1.0 x 20mm Capscrew
7	67890	1	Flywheel Hex Nut	41	45756	7	Screw, M6-1.0 x 10mm
8	67198N	1	Bevel Washer	42	49813	2	Hex Nut, M6-1.0
9	77147A	1	Flywheel Assembly	43	49821	2	M8-1.25 x 30mm Capscrew
10	84542	1	Ignition Coil Assembly	44	59635	1	Plastite Screw Å #8 x 3/8"
11	73104A	1	Air Cleaner Cover	45	66476	4	M6-1.0 x 12mm Capscrew
12	73108A	1	Air Cleaner Base	47	81646	1	Air Filter Pre-cleaner
13	73111	1	Air Cleaner Element	48	81668	9	M6-1.0 x 10mm Capscrew
14	91204	1	Spit Back Plate	49	83512	3	Screw, M8-1.25 x 15mm
16	90827	1	Air Box Bracket	50	86999	1	Oil Filter Adaptor Gasket
17	90970	1	Air Cleaner Gasket	51	92079	2	Screw, M6-1.0 x 25mm
18	91187	1	Carburetor	52	22097	4	M6 Lockwasher
19	89228	1	Carburetor/manifold Gasket	53	84329	1	3-pin Male Housing
20	78609	2	Air Cleaner Cover Bolt	55	92981	1	Ignition Wire Assembly
21	91028	1	Adaptor ©K ^a	57	49811	2	M6 Flat Washer
22	81647	2	Carburetor Mounting Bolt	58	93104	1	LOS Engine Decal
23	72745	1	Breather Hose	59	91001A	1	Long Block w/straight shaft
24	83504	1	Choke Knob	60	87221B	1	LOS Module
25	73116A	1	Blower Housing Backplate	61	72709	1	Oil Filter Pad Cover
26	91039	1	Intake Adaptor Gasket	62	93611	1	Sleeving
27	82774	1	Woodruff Key 4 x 19	63	86260	1	Starter Mount Bracket
28	72735	1	Governor Control Rod	64	93922	1	Starter Mount Support
29	72789	1	Governor Anti-lash Spring	65	22127	2	1/4-20 Hex Nut
30	78653	1	Engine Shut-off Switch	66	22129	4	M8 Lock Washer
31	88434	1	Bottom Wrapper	67	40976	2	M8-1.25 x 20 Capscrew
32	88433	1	Top Wrapper	68	87266	1	Engine Starter Motor
33	70185	1	Oil Filter [optional]	69	91222B	1	Flywheel and Ring Gear Assm
34	72347	1	Spark Plug [Champion 12YC]				



LIMITED PRESSURE WASHER WARRANTIES (includes "Master Contractor")

GENERAC warrants to the original retail purchaser, the pressure washer manufactured by GENERAC to be free from defects in material and workmanship for the period(s) set forth below from the date of original purchase. This warranty is not transferable. The term "original purchaser" means the person for whom the pressure washer is originally purchased.

Warranty Schedules

Electric Power Washer	1 year (does not apply to commercial or rental operations)	
	CONSUMER*	COMMERCIAL*
Generac GN-Series Engine-driven Power Washer	Engine: 2 years (2nd year parts only)	1 year
	Pump: 1 year	90 days
All Other Engine-driven Power Washers	Engine: Warranted solely by Engine Manufacturer	Warranted solely by Engine Manufacturer
	Pump: 1 year	90 days

* NOTE: For the purpose of this warranty "consumer use" means personal residential household use by original purchaser. "Commercial Use" means all other uses, including rental, construction, commercial and income producing purposes. Once a pressure washer has experienced commercial use, it shall thereafter be considered a commercial use pressure washer for the purposes of this warranty.

During said warranty period, GENERAC will, at its option, repair or replace any part which, upon examination by GENERAC or GENERAC Authorized Dealers, is found to be defective under normal use and service**. All transportation costs under warranty, including return to the factory if necessary, are to be borne by the purchaser and prepaid by the purchaser.

** NORMAL WEAR: As with all mechanical devices, the GN-Series engines need periodic parts service and replacement to perform well. This warranty will not cover repair when normal use has exhausted the life of a part or an engine.

THIS WARRANTY DOES NOT INCLUDE: Used products and demonstration equipment. Parts such as GUNS, HOSES, WANDS, NOZZLES or other wear items such as quick couplers, oil, gauges, belts, O-rings, filters, pump packing, etc. Pumps which have been run without water supplied. Damage or malfunctions resulting from: accidents, abuse, modifications, alterations, or improper servicing. Freezing or chemical deterioration. Normal maintenance such as adjustments, fuel system cleaning and obstruction (due to chemical, dirt, carbon or lime, etc.).

THIS WARRANTY IS IN PLACE OF ALL OTHER WARRANTIES, EXPRESS OR IMPLIED, SPECIFICALLY, GENERAC MAKES NO OTHER WARRANTIES AS TO MERCHANTABILITY OR FITNESS FOR A PARTICULAR PURPOSE. The duration of any implied warranties which cannot be disclaimed is limited to the time period as specified in the express warranty. LIABILITY FOR CONSEQUENTIAL, INCIDENTAL, OR SPECIAL DAMAGES UNDER ANY AND ALL WARRANTIES IS EXCLUDED, EVEN IF SUCH DAMAGES ARE A DIRECT RESULT OF GENERAC'S NEGLIGENCE. Some states do not allow limitations on how long an implied warranty lasts, or the exclusion or limitation of incidental or consequential damages, so the above limitations or exclusions may not apply to you. This warranty gives you specific legal rights and you may also have other rights, which vary from state to state.

For service, see your nearest GENERAC authorized warranty service facility or call 1-800-333-1322. Warranty service can be performed only by a GENERAC authorized service facility. This warranty will not apply to service at any other facility. At the time of requesting warranty service, evidence of original purchase date must be presented.

GENERAC CORPORATION P.O. Box 8 Waukesha, WI 53187

TELEPHONE: (414) 544-4811 FAX: (414) 544-4851